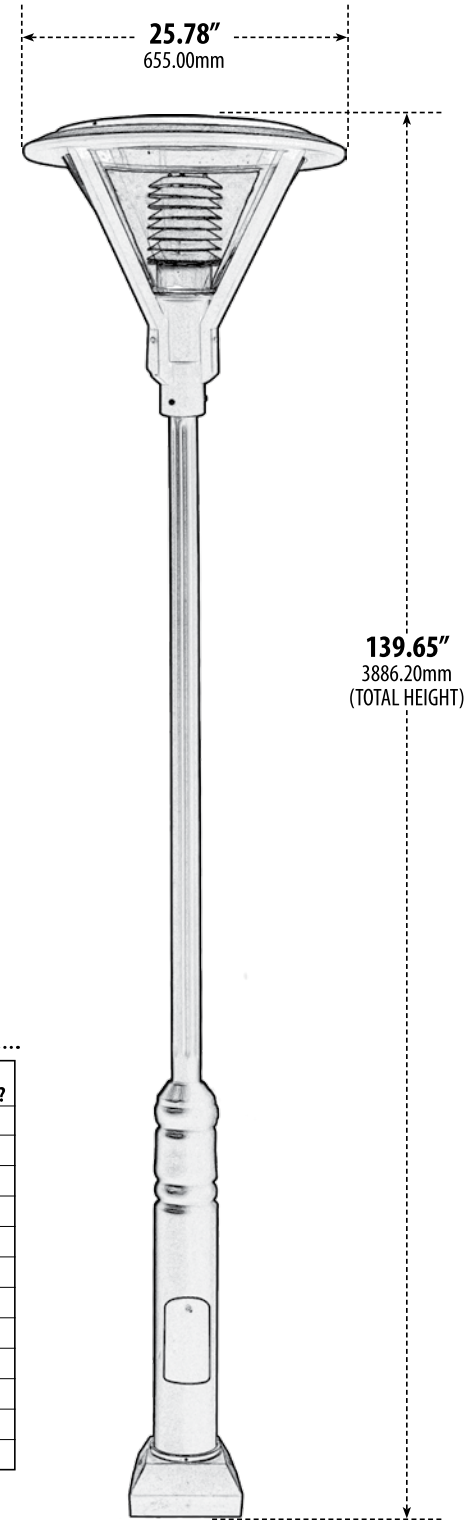
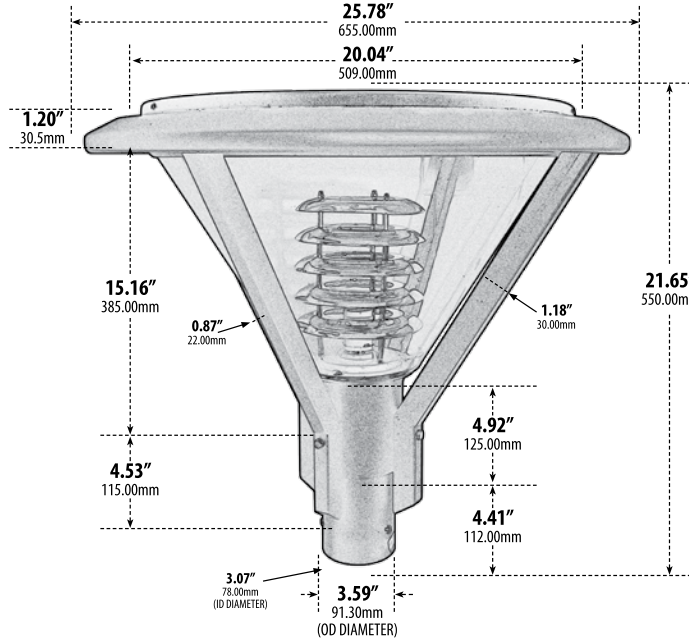
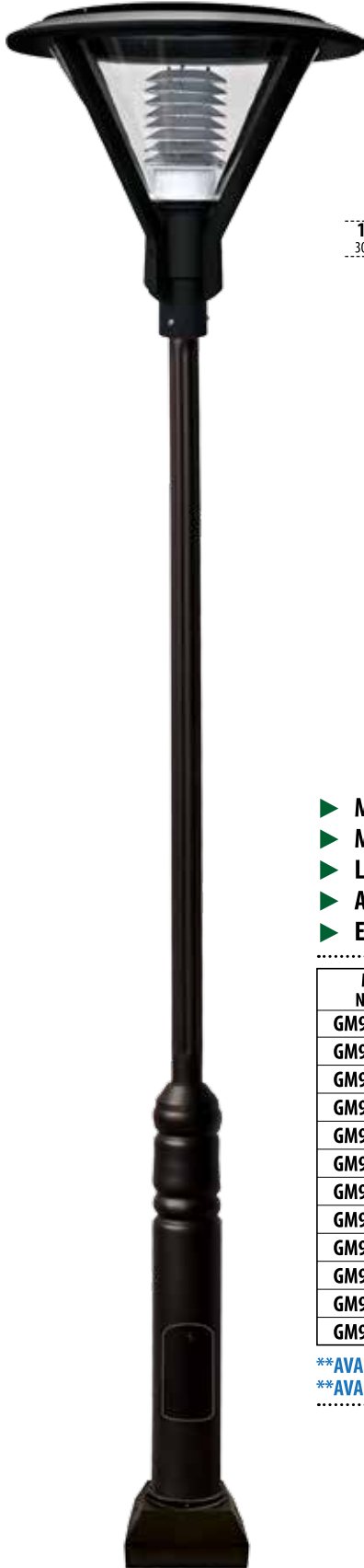


GM9510

POST FIXTURE



- ▶ **Material (Fixture):** Powder Coated Cast Aluminum
- ▶ **Material (Post):** Powder Coated Galvanized Steel
- ▶ **Lens:** Clear, Heat Resistant, Polycarbonate
- ▶ **Available Finish:** Black, Verde Green
- ▶ **ETL Approved**

MODEL NUMBER	LAMP TYPE	ILLUMINANT TYPE	WATTS (W)	VOLTS (V)	LAMP(S) INCLUDED?
GM9510**	A-Type	Incandescent	60	120	NO
GM9511	Tubular/Med	Fluorescent	50	120	YES
GM9512	HID	HPS	70	120	YES
GM9512-MT	HID	HPS	70	MT	YES
GM9513	HID	MH	70	120	YES
GM9513-MT	HID	MH	70	MT	YES
GM9514	HID	HPS	35	120	YES
GM9515	HID	HPS	50	120	YES
GM9515-MT	HID	HPS	50	MT	YES
GM9516	HID	MH	35	120	YES
GM9517	HID	MH	50	120	YES
GM9517-MT	HID	MH	50	MT	YES

**AVAILABLE IN 16W LED Add -LED16 to Model Number

**AVAILABLE IN 30W LED Add -LED30 to Model Number

Overall Dimensions:
139.65"H x 25.78"W x 25.78"D

Weight: 75.78 lbs

DABMAR
LIGHTING

DABMAR LIGHTING INCORPORATED

2140 Eastman Ave . Oxnard, CA 93030 . 805.604.9090 . f: 805.604.9050 . www.dabmar.com