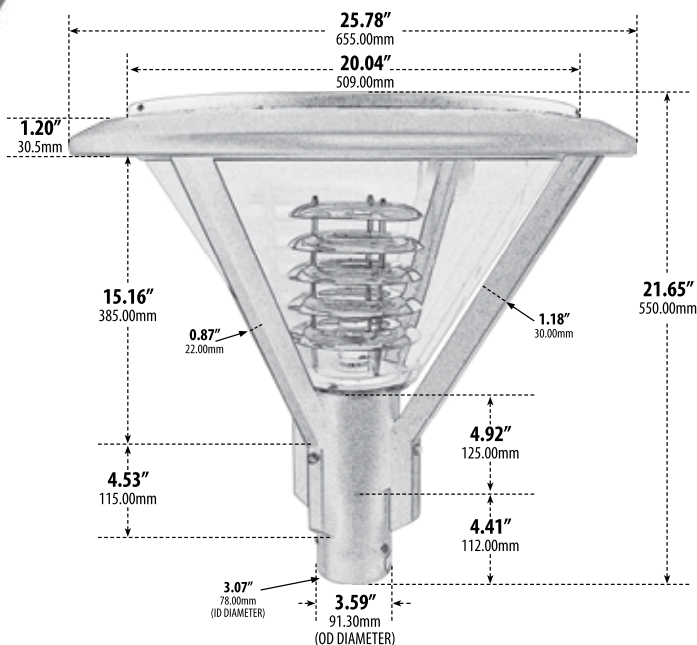


GM950

POST TOP FIXTURE



- ▶ **Material:** Powder Coated Cast Aluminum
- ▶ **Lens:** Polycarbonate
- ▶ **Available Finish:** Black, Verde Green
- ▶ **ETL Approved**

Overall Dimensions:
21.65"H x 25.78"W x 25.78"D

Weight: 14 lbs
Approximate Wire Length: 00"
Box Dimensions: 23.50"H x 26.00"W x 25.50"D

MODEL NUMBER	LAMP TYPE	ILLUMINANT TYPE	WATTS (W)	VOLTS (V)	LAMP(S) INCLUDED?
GM950**	A-Type	Incandescent	60	120	NO
GM956	HID	HPS	35	120	YES
GM957	HID	HPS	50	120	YES
GM957-MT	HID	HPS	50	MT	YES
GM960	HID	HPS	70	120	YES
GM960-MT	HID	HPS	70	MT	YES
GM961	HID	MH	35	120	YES
GM962	HID	MH	50	120	YES
GM962-MT	HID	MH	50	MT	YES
GM963	HID	MH	70	120	YES
GM963-MT	HID	MH	70	MT	YES

**AVAILABLE IN 11W LED Add -LED11 to Model Number

**AVAILABLE IN 20W LED Add -LED20 to Model Number

DABMAR
LIGHTING

DABMAR LIGHTING INCORPORATED

2140 Eastman Ave . Oxnard, CA 93030 . 805.604.9090 . f: 805.604.9050 . www.dabmar.com