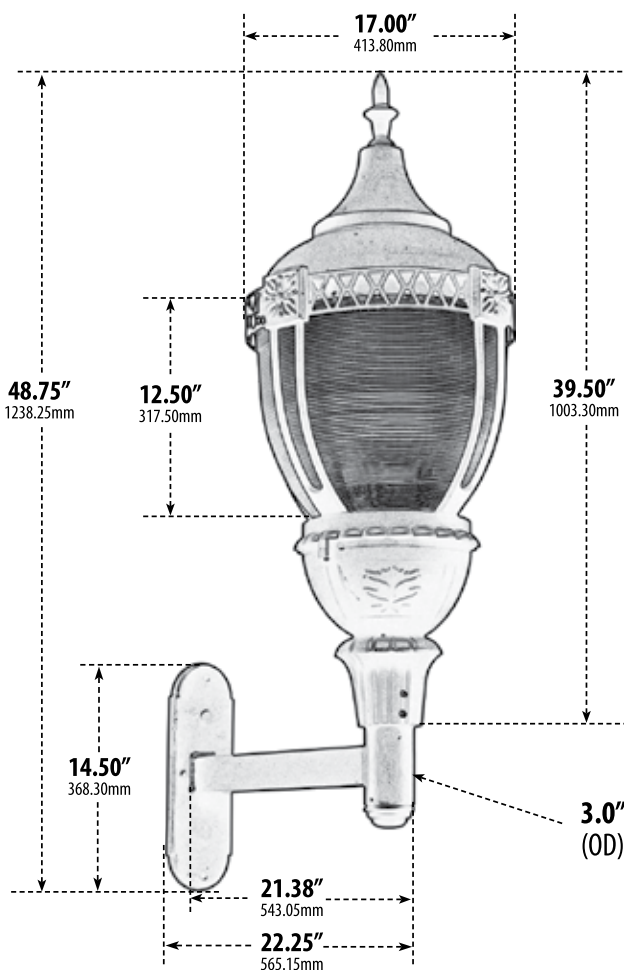


GM940

LARGE POST TOP WALL FIXTURE



- ▶ **Material:** Powder Coated Cast Aluminum
- ▶ **Lens:** Clear, Prismatic, Heat Resistant, Polycarbonate
- ▶ **Available Finish:** Black, Verde Green
- ▶ **ETL Approved**
- ▶ **Arm:** P-ARM-GM2

**AVAILABLE IN 11W LED Add -LED11 to Model Number

**AVAILABLE IN 20W LED Add -LED20 to Model Number

Overall Dimensions:

48.75"H x 17.00"W x 29.38"D

Weight: 11.2 lbs (P-ARM-GM2)

Weight: 18.2 lbs (GM910)

Weight: GM940 29.4 lbs

MODEL NUMBER	LAMP TYPE	ILLUMINANT TYPE	WATTS (W)	VOLTS (V)	LAMP(S) INCLUDED?
GM940**	A-Type	Incandescent	100	120	NO
GM941	HID	HPS/MOG	70	120	YES
GM941-MT	HID	HPS/MOG	70	MT	YES
GM942	HID	HPS/MOG	100	120	YES
GM942-MT	HID	HPS/MOG	100	MT	YES
GM943	HID	HPS/MOG	150	120	YES
GM943-MT	HID	HPS/MOG	150	MT	YES
GM944	HID	MH/MOG	70	120	YES
GM944-MT	HID	MH/MOG	70	MT	YES
GM945	HID	MH/MOG	100	120	YES
GM945-MT	HID	MH/MOG	100	MT	YES
GM946	HID	MH/MOG	150	120	YES
GM946-MT	HID	MH/MOG	150	MT	YES
GM947	HID	MH/MOG	175	120	YES
GM947-MT	HID	MH/MOG	175	MT	YES

DABMAR
LIGHTING

DABMAR LIGHTING INCORPORATED

2140 Eastman Ave . Oxnard, CA 93030 . 805.604.9090 . f: 805.604.9050 . www.dabmar.com