

GM9303

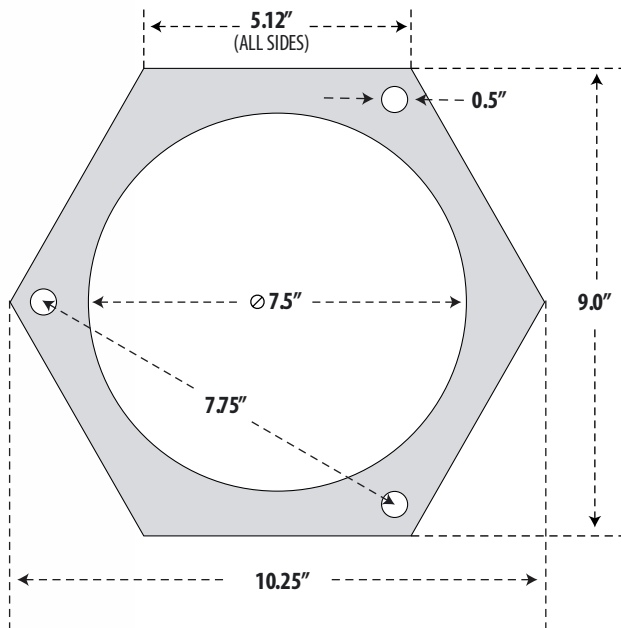
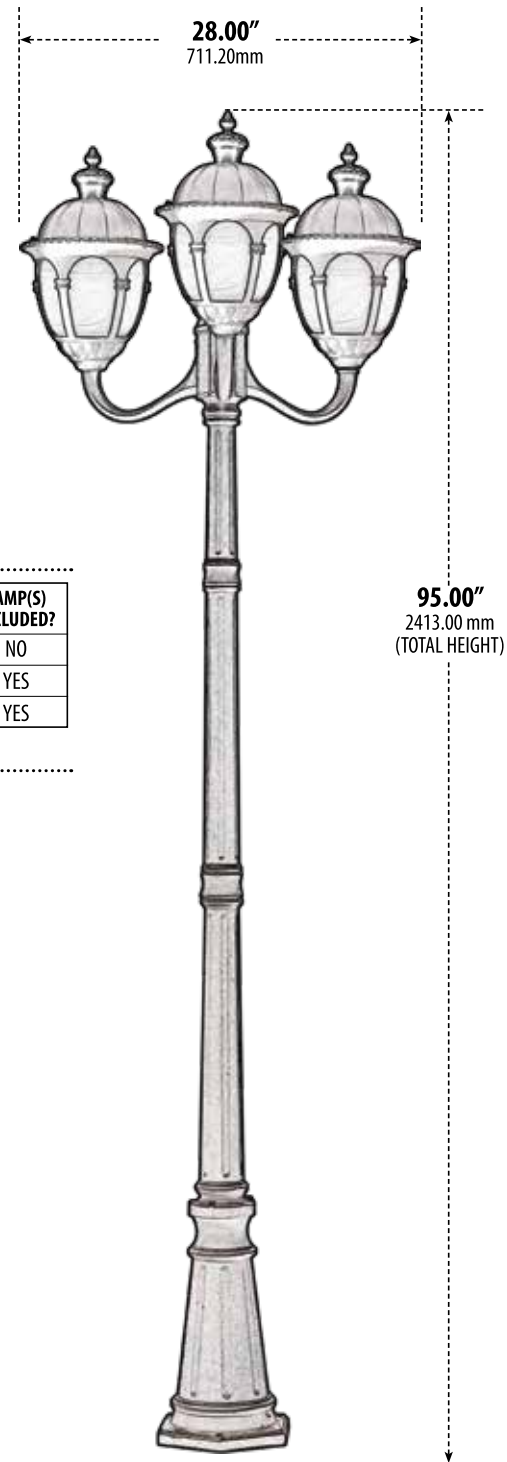
POST FIXTURE



- ▶ **Material:** Powder Coated Cast Aluminum
- ▶ **Lens:** Clear, Heat Resistant, Tempered Glass
- ▶ **Available Finish:** Black, White, Verde Green
- ▶ **ETL Approved**

MODEL NUMBER	LAMP TYPE	ILLUMINANT TYPE	WATTS (W)	VOLTS (V)	LAMP(S) INCLUDED?
GM9303**	A-Type	Incandescent	3 x 60	120	NO
GM9310	S13-GU24	Fluorescent	3 x 13	120	YES
GM9311	S26-GU24	Fluorescent	3 x 26	120	YES

**AVAILABLE IN 16W LED Add -LED16 to Model Number



BASE PATTERN

Overall Dimensions:
95.00\"H x 28.00\"W x 14.00\"D

Weight: 24.25 lbs



DABMAR LIGHTING INCORPORATED

2140 Eastman Ave . Oxnard, CA 93030 . 805.604.9090 . f: 805.604.9050 . www.dabmar.com