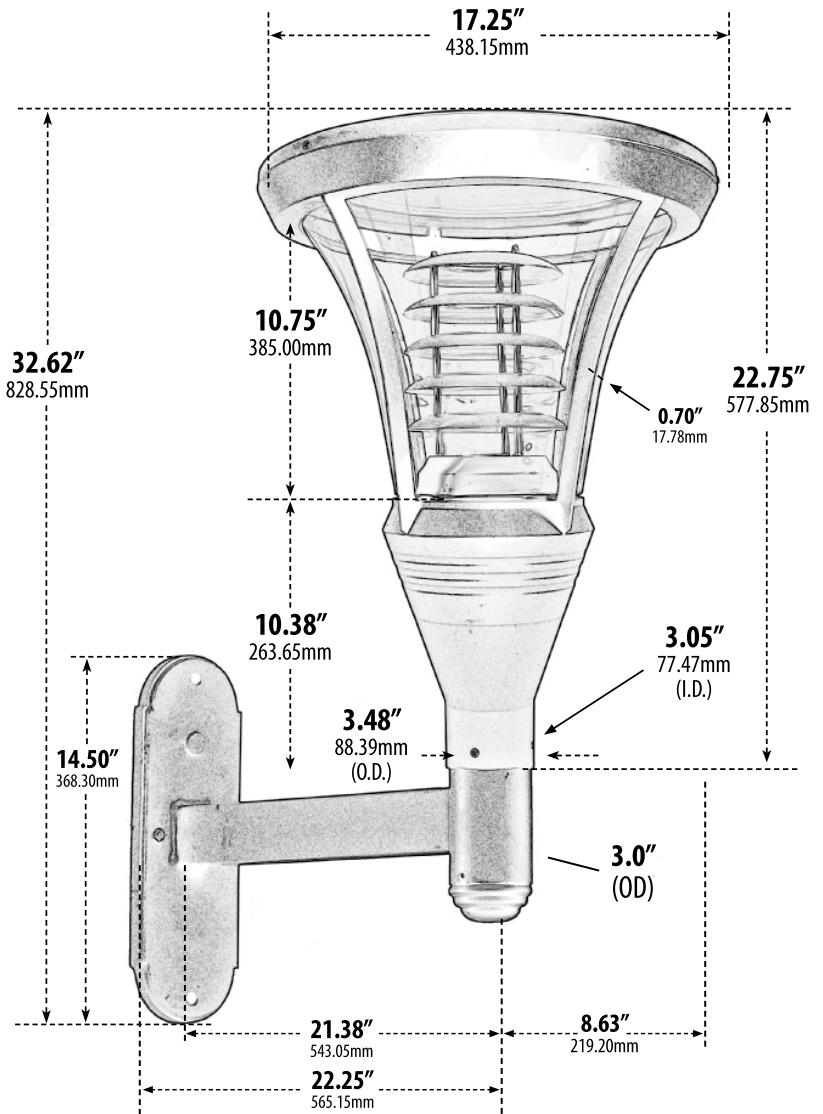


# GM630

## POST TOP WALL FIXTURE



- ▶ **Material:** Powder Coated Cast Aluminum
- ▶ **Lens:** Polycarbonate
- ▶ **Available Finish:** Black, Verde Green
- ▶ **Arm:** P-ARM-GM2
- ▶ **ETL Approval Pending**

Overall Dimensions:  
32.62"H x 17.25"W x 30.88"D

Weight: 11.2 lbs (P-ARM-GM2)  
Weight: 9.2 lbs (GM640)

Weight: GM930 20.40 lbs

MODEL NUMBER	LAMP TYPE	ILLUMINANT TYPE	WATTS (W)	VOLTS (V)	LAMP(S) INCLUDED?
GM630	A-Type	Incandescent	70	120	NO
GM630-LED30	Tubular-E26	LED	30	120-277	YES
GM631	HID	HPS	35	120	YES
GM632	HID	HPS	50	120	YES
GM633	HID	HPS	70	120	YES
GM634	HID	MH	35	120	YES
GM635	HID	MH	50	120	YES
GM636	HID	MH	70	120	YES

**DABMAR**  
LIGHTING

DABMAR LIGHTING INCORPORATED

2140 Eastman Ave . Oxnard, CA 93030 . 805.604.9090 . f: 805.604.9050 . www.dabmar.com