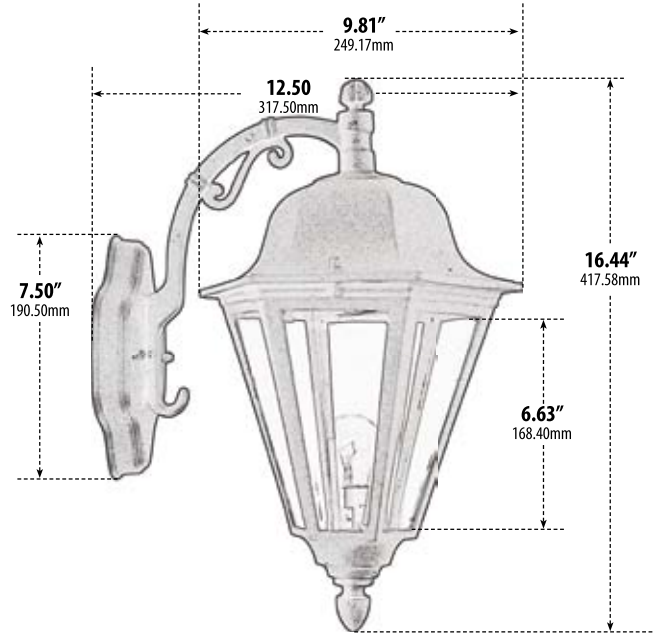


GM136

WALL FIXTURE



- ▶ **Material:** Powder Coated Cast Aluminum
- ▶ **Lens:** Clear, Heat Resistant, Tempered Glass
- ▶ **Available Finish:** Black, White, Verde Green
- ▶ **ETL Approved**

MODEL NUMBER	LAMP TYPE	ILLUMINANT TYPE	WATTS (W)	VOLTS (V)	LAMP(S) INCLUDED?
GM136**	A-Type	Incandescent	60	120	NO
GM138	S13-GU24	Fluorescent	13	120	YES
GM139	S26-GU24	Fluorescent	26	120	YES

**AVAILABLE IN 11W LED Add -LED11 to Model Number
 **AVAILABLE IN 20W LED Add -LED20 to Model Number

Overall Dimensions:
 16.44"H x 9.81"W x 12.50"D

Weight: 4.0 lbs
 Approximate Wire Length: 7"
 Box Dimensions:
 16.19"H x 13.38"W x 8.88"D



DABMAR LIGHTING INCORPORATED

2140 Eastman Ave . Oxnard, CA 93030 . 805.604.9090 . f: 805.604.9050 . www.dabmar.com