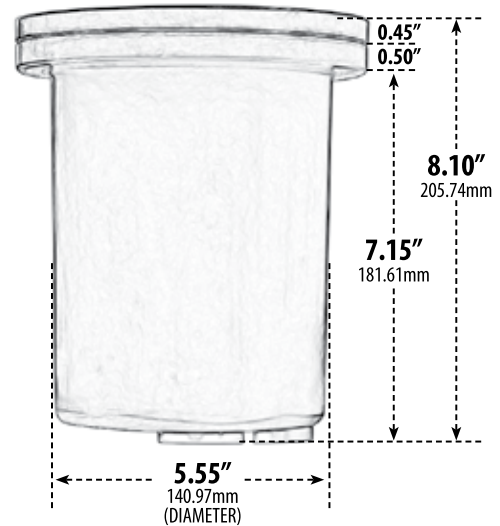
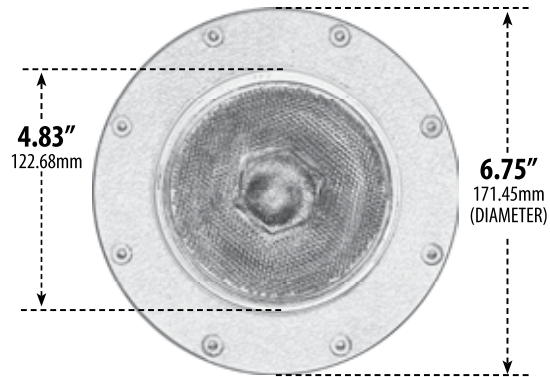


FG4450

IN-GROUND WELL LIGHT



* Corrosion Resistant-Ocean Front Placement

- ▶ **Material:** Fiberglass
- ▶ **Lens:** Clear, Heat Resistant, Tempered Glass

MODEL NUMBER	LAMP TYPE	ILLUMINANT TYPE	WATTS (W)	VOLTS (V)	LAMP(S) INCLUDED?
FG4450	PAR38	INCANDESCENT	150	120	NO
FG-LED4450	PAR38-LED	LED COB	18	120-277	YES
FG4454	S13-GU24	FLUORESCENT	13	120	YES
FG4457	S26-GU24	FLUORESCENT	26	120	YES

- ▶ **Available Finish:** Bronze
- ▶ **ETL Approved**

FG4400 - 1.7 lbs

FG4454 - 2 lbs

FG4457 - 2 lbs

Overall Dimensions:
8.10"H x 6.75"W x 6.75"D

Weight: SEE ABOVE
Box Dimensions:
9.19"H x 6.63"W x 6.75"D

Lamp Not Included (FG4450)

DABMAR
LIGHTING

DABMAR LIGHTING INCORPORATED

2140 Eastman Ave . Oxnard, CA 93030 . 805.604.9090 . f: 805.604.9050 . www.dabmar.com