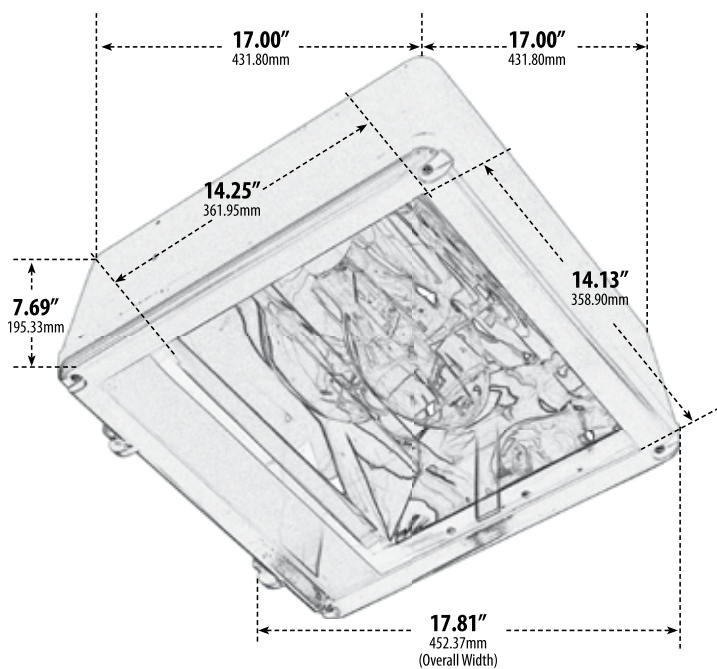


DW9000

LARGE CEILING FIXTURE



- ▶ **Material:** Powder Coated Cast Aluminum
- ▶ **Lens:** Clear, Heat Resistant, Tempered Glass Lens
- ▶ **Available Finish:** Bronze, White
- ▶ **ETL Approved**

MODEL NUMBER	LAMP TYPE	ILLUMINANT TYPE	WATTS (W)	VOLTS (V)	LAMP(S) INCLUDED?
DW9000-MT	HID	HPS/MOG	250	MT	YES
DW9040-MT	HID	HPS/MOG	400	MT	YES
DW9100-MT	HID	MH/MOG	175	MT	YES
DW9125-MT	HID	MH/MOG	250	MT	YES
DW9140-MT	HID	MH/MOG	400	MT	YES

Overall Dimensions:
17.81"H x 17.00"W x 7.69"D

Weight: 21lbs
Box Dimensions: 17.63"W x 22.13"H x 8.0"D

DABMAR
LIGHTING

DABMAR LIGHTING INCORPORATED

2140 Eastman Ave . Oxnard, CA 93030 . 805.604.9090 . f: 805.604.9050 . www.dabmar.com