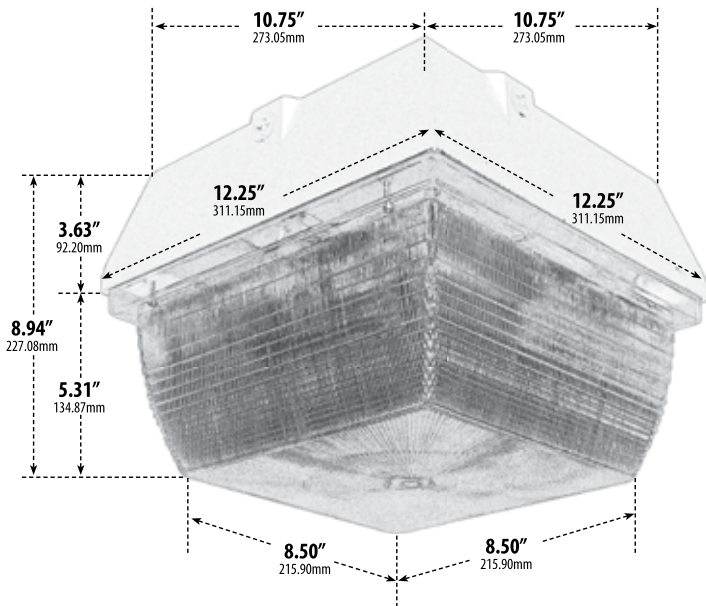


# DW8870

## MEDIUM SQUARE CEILING FIXTURE



Overall Dimensions:  
12.25"H x 12.25"W x 8.94"D

Weight: 5.07 lbs  
Approximate Wire Length: N/A  
Box Dimensions: 9.50"H x 12.75"W x 12.88"D

- ▶ **Material:** Powder Coated Cast Aluminum
- ▶ **Lens:** Clear, Prismatic, Polycarbonate Lens
- ▶ **Available Finish:** Bronze
- ▶ **ETL Approved**

MODEL NUMBER	LAMP TYPE	ILLUMINANT TYPE	WATTS (W)	VOLTS (V)	LAMP(S) INCLUDED?
DW8870**	HID	HPS	70	120	YES
DW8870-MT	HID	HPS	70	MT	YES
DW8900	HID	HPS	100	120	YES
DW8900-MT	HID	HPS	100	MT	YES
DW8950	HID	HPS	150	120	YES
DW8950-MT	HID	HPS	150	MT	YES
DW8960	HID	MH	70	120	YES
DW8960-MT	HID	MH	70	MT	YES
DW8970	HID	MH	100	120	YES
DW8970-MT	HID	MH	100	MT	YES
DW8975	HID	MH	150	120	YES
DW8975-MT	HID	MH	150	MT	YES

\*\*AVAILABLE IN 20W LED Add -LED20 to Model Number

**DABMAR**  
LIGHTING

DABMAR LIGHTING INCORPORATED

2140 Eastman Ave . Oxnard, CA 93030 . 805.604.9090 . f: 805.604.9050 . www.dabmar.com