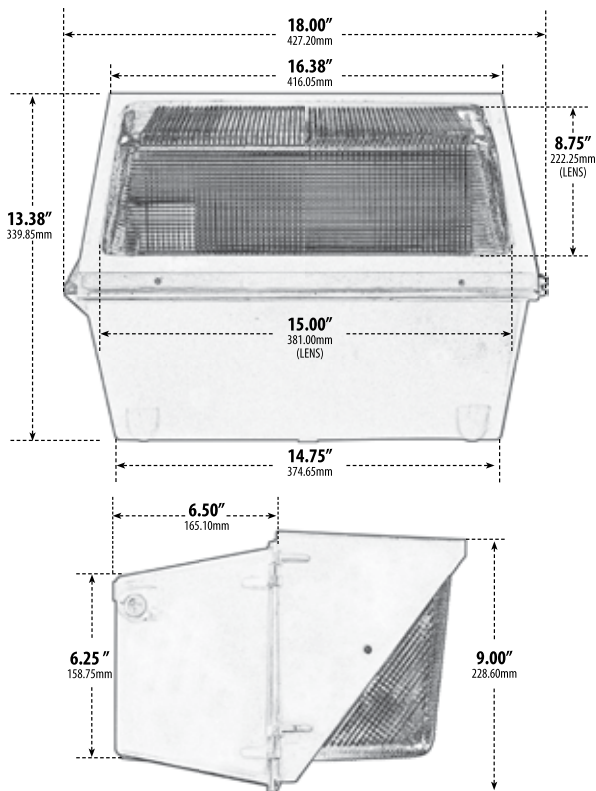


DW1725

LARGE WALL PACK FIXTURE



Overall Dimensions:
18.00"W x 13.38"H x 9.00"D

Maximum Height: 13.38"
Width: 18.00"
Maximum Depth: 8.00"

Weight: 14.8 lbs
Approximate Wire Length: N/A
Box Dimensions: 19.50"W x 15.00"H x 11.00"D

- ▶ **Material:** Powder Coated Cast Aluminum
- ▶ **Lens:** Clear, Prismatic, Heat Resistant, Glass Lens
- ▶ **Available Finish:** Bronze
- ▶ **ETL Approved**

MODEL NUMBER	LAMP TYPE	ILLUMINANT TYPE	WATTS (W)	VOLTS (V)	LAMP(S) INCLUDED?
DW-LED1502	LED BOARD	510 LEDs	50	120-277	YES
DW1725-MT	HID	HPS	250	MT	YES
DW1740-MT	HID	HPS	400	MT	YES
DW1825-MT	HID	MH	250	MT	YES
DW1840-MT	HID	MH	400	MT	YES

Replacement Glass Lens: P-GLS-DW1725 (sold separately)

Fixture Hood & Guard Available: P-HOOD-DW1725, P-GRD-DW1725 (sold separately)

DABMAR
LIGHTING

DABMAR LIGHTING INCORPORATED

2140 Eastman Ave . Oxnard, CA 93030 . 805.604.9090 . f: 805.604.9050 . www.dabmar.com