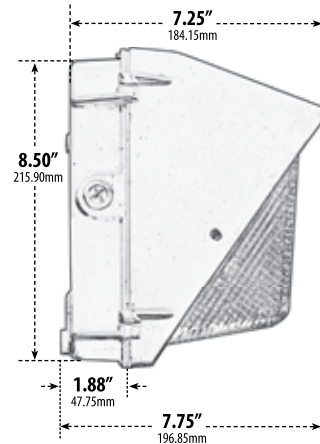
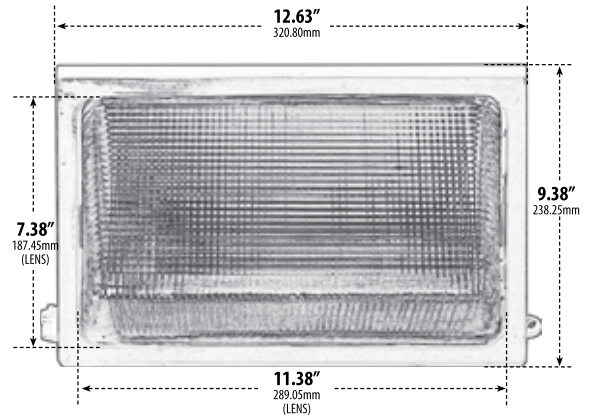


DW1500

MEDIUM WALL PACK FIXTURE



- ▶ **Material:** Powder Coated Cast Aluminum
- ▶ **Lens:** Clear, Prismatic, Heat Resistant, Tempered Glass Lens
- ▶ **Available Finish:** Bronze
- ▶ **ETL Approved**

Replacement Glass Lens: P-GLS-DW1500 (sold separately)

Fixture Hood and Guard Available: P-HOOD-DW1500, P-GRD-DW1500 (sold separately)

Overall Dimensions:
12.63"W x 9.38"H x 7.75"D

Weight: 6.8 lbs
Approximate Wire Length: N/A
Box Dimensions: 15.00"W x 8.75"H x 10.25"D

| MODEL NUMBER | LAMP TYPE | ILLUMINANT TYPE | WATTS (W) | VOLTS (V) | LAMP(S) INCLUDED? |
|--------------|-----------|-----------------|-----------|-----------|-------------------|
| DW1500 | HID | HPS | 70 | 120 | YES |
| DW1500-MT | HID | HPS | 70 | MT | YES |
| DW-LED1501 | LED BOARD | 312 LEDs | 30 | 120-277 | YES |
| DW1600 | HID | HPS | 100 | 120 | YES |
| DW1600-MT | HID | HPS | 100 | MT | YES |
| DW1650 | HID | HPS | 150 | 120 | YES |
| DW1650-MT | HID | HPS | 150 | MT | YES |
| DW1660 | HID | MH | 70 | 120 | YES |
| DW1660-MT | HID | MH | 70 | MT | YES |
| DW1670 | HID | MH | 100 | 120 | YES |
| DW1670-MT | HID | MH | 100 | MT | YES |
| DW1671 | HID | MH | 150 | 120 | YES |
| DW1671-MT | HID | MH | 150 | MT | YES |
| DW1675 | HID | MH | 175 | 120 | YES |
| DW1675-MT | HID | MH | 175 | MT | YES |

DABMAR
LIGHTING

DABMAR LIGHTING INCORPORATED

2140 Eastman Ave . Oxnard, CA 93030 . 805.604.9090 . f: 805.604.9050 . www.dabmar.com