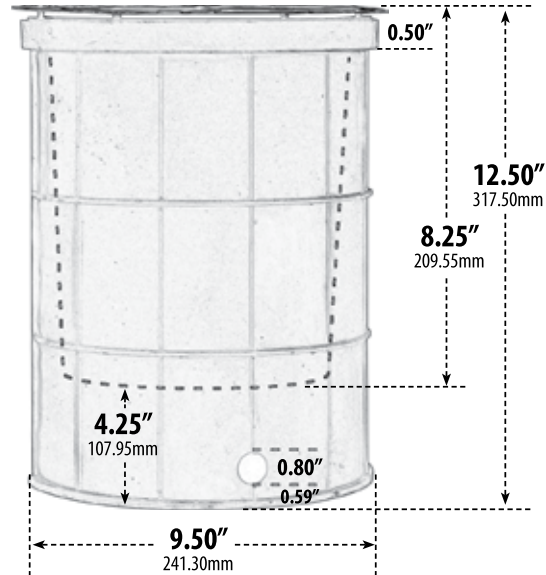
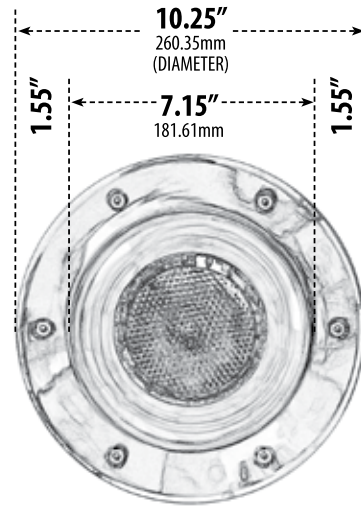


DW1200 SERIES

IN-GROUND WELL LIGHT



- ▶ **Material:** Stainless Steel w/PVC Sleeve
- ▶ **Lens:** Clear, Heat Resistant, Tempered Glass

MODEL NUMBER	LAMP TYPE	ILLUMINANT TYPE	WATTS (W)	VOLTS (V)	LAMP(S) INCLUDED?
DW1200**	PAR38	INCANDESCENT	150	120	NO
DW1214	S13-GU24	FLUORESCENT	13	120	YES
DW1215	S26-GU24	FLUORESCENT	26	120	YES
DW1235	HID	HPS	35	120	YES
DW1250	HID	HPS	50	120	YES
DW1270	HID	HPS	70	120	YES
DW1300	HID	HPS	100	120	YES
DW1351	HID	MH	50	120	YES
DW1352	HID	MH	70	120	YES

- ▶ **Available Finish:** Stainless Steel
- ▶ **ETL Approved**

** Add -LED to number for PAR38 18W LED

Overall Dimensions:
12.50"H x 10.25"W x 10.25"D

Weight: SEE LIST
Box Dimensions:
12.50"H x 10.50"W x 10.50"D

Lamp Not Included

- DW1200 - 10 lbs**
- DW1214 - 12 lbs**
- DW1215 - 12 lbs**
- DW1235 - 19 lbs**
- DW1250 - 19 lbs**
- DW1270 - 19 lbs**
- DW1300 - 19 lbs**
- DW1351 - 19 lbs**
- DW1352 - 19 lbs**

DABMAR
LIGHTING

DABMAR LIGHTING INCORPORATED

2140 Eastman Ave . Oxnard, CA 93030 . 805.604.9090 . f: 805.604.9050 . www.dabmar.com