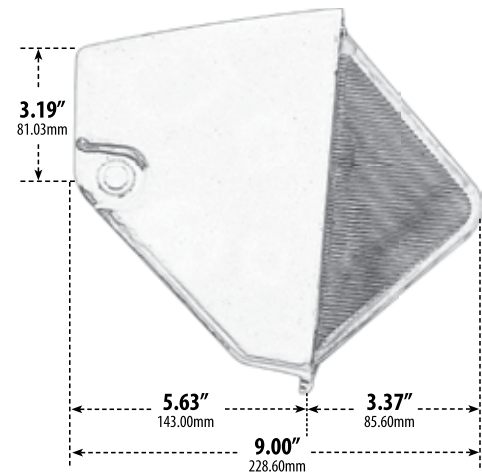
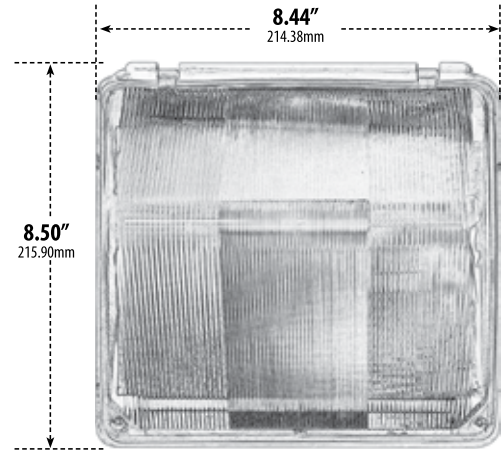


DW1000

MINI WALL PACK FIXTURE



Overall Dimensions:
8.44"W x 8.50"H x 9.00"D

Maximum Height: 8.50"
Width: 8.44"
Maximum Depth: 9.00"

Weight: 3.6 lbs
Approximate Wire Length: N/A
Box Dimensions: 10.00"W x 7.81"H x 8.88"D

- ▶ **Material:** Powder Coated Cast Aluminum
- ▶ **Lens:** Clear, Prismatic, Heat Resistant, Polycarbonate Lens
- ▶ **Available Finish:** Bronze
- ▶ **ETL Approved**

| MODEL NUMBER | LAMP TYPE | ILLUMINANT TYPE | WATTS (W) | VOLTS (V) | LAMP(S) INCLUDED? |
|--------------|-----------|-----------------|-----------|-----------|-------------------|
| DW1000 | HID | HPS | 35 | 120 | YES |
| DW1050 | HID | HPS | 50 | 120 | YES |
| DW1070 | HID | HPS | 70 | 120 | YES |
| DW1100 | HID | HPS | 100 | 120 | YES |
| DW1101 | HID | MH | 50 | 120 | YES |
| DW1102 | HID | MH | 70 | 120 | YES |

Replacement Lens: P-LENS-DW1000 (sold separately)

Fixture Hood Available: P-HOOD-DW1000 (sold separately)

DABMAR
LIGHTING

DABMAR LIGHTING INCORPORATED

2140 Eastman Ave . Oxnard, CA 93030 . 805.604.9090 . f: 805.604.9050 . www.dabmar.com