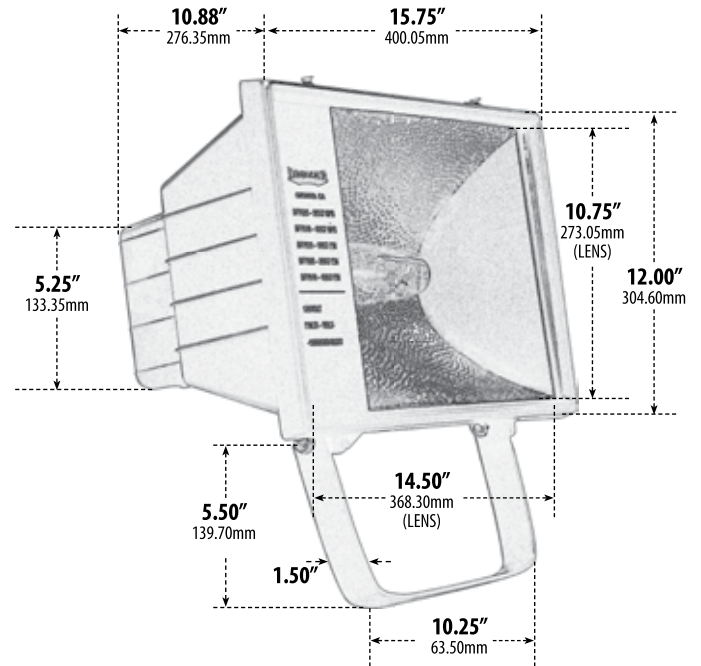


DF7825

LARGE FLOOD FIXTURE



- **Material:** Powder Coated Cast Aluminum
- **Lens:** Clear, Heat Resistant, Tempered Glass Lens
- **Available Finish:** Black, Verde Green
- **ETL Approved**

MODEL NUMBER	LAMP TYPE	ILLUMINANT TYPE	WATTS (W)	VOLTS (V)	LAMP(S) INCLUDED?
DF7825-MT	HID	HPS/MOG	250	MT	YES
DF7840-MT	HID	HPS/MOG	400	MT	YES
DF7900-MT	HID	MH/MOG	175	MT	YES
DF7925-MT	HID	MH/MOG	250	MT	YES
DF7940-MT	HID	MH/MOG	400	MT	YES

Photo Control Option Available (sold separately)

Overall Dimensions:
12.75"H x 15.75"W x 10.88"D

Maximum Height: 17.56"
Minimum Height: 12.75"
Width: 15.75"
Maximum Depth: 10.88"
Minimum Depth: 10.88"

Weight: 24.6lbs
Approximate Wire Length: 1.5"
Box Dimensions: 13.00"H x 16.13"W x 13.25"D

DABMAR
LIGHTING

DABMAR LIGHTING INCORPORATED

2140 Eastman Ave . Oxnard, CA 93030 . 805.604.9090 . f: 805.604.9050 . www.dabmar.com