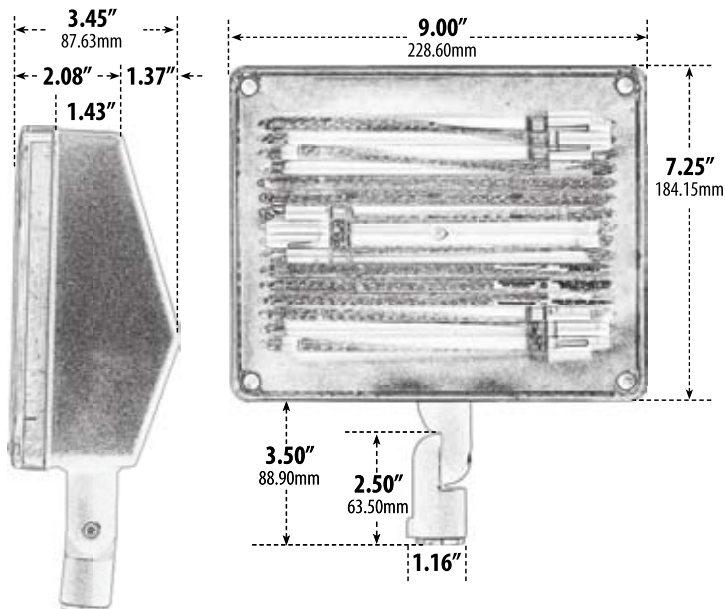


DF5875

AREA FLOOD LIGHT



- ▶ **Material:** Polycarbonate
- ▶ **Lens:** Clear, Polycarbonate
- ▶ **Lamp:** PL13 2-Pin

MODEL NUMBER	LAMP TYPE	ILLUMINANT TYPE	WATTS (W)	VOLTS (V)	LAMP(S) INCLUDED?
DF5875	3 x PL13	FLUORESCENT	39	120	YES
DF-LED5875	3 x PL-LED	LED	15	85-264	YES

- ▶ **Adjustable Knuckle with 1/2" NPT**
- ▶ **Ground Mounting Spikes:** LV-S6 (sold separately)
- ▶ **Available Color:** Black, Verde Green
- ▶ **ETL Approved**

Overall Dimensions: 11.25"H x 9.00"W x 3.50"D

Maximum Height: 11.25"
 Minimum Height: 5.00"
 Width: 9.00"
 Maximum Depth: 10.25"
 Minimum Depth: 3.50"

Weight: 3.60 lbs
 Approximate Wire Length: 14.00"
 Box Dimensions: 4.88"W x 14.00"H x 12.00"D



DABMAR LIGHTING INCORPORATED

2140 Eastman Ave . Oxnard, CA 93030 . 805.604.9090 . f: 805.604.9050 . www.dabmar.com