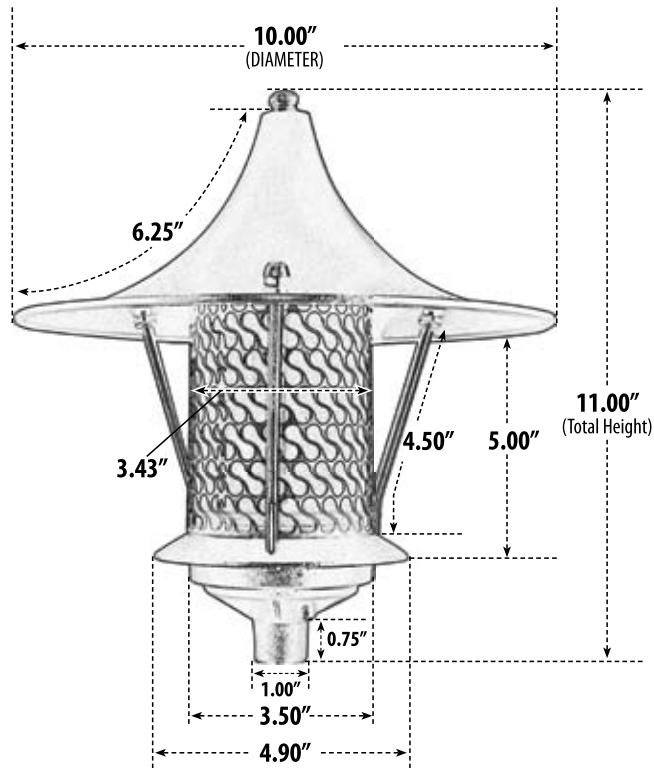


D8000 - D8050

FLAIR TOP PAGODA LIGHT

PATH, WALKWAY AND AREA LIGHTING



- ▶ **Material:** Powder Coated Cast Aluminum
- ▶ **Lens:** Frosted, Heat Resistant, Tempered Glass

MODEL NUMBER	LAMP TYPE	ILLUMINANT TYPE	WATTS (W)	VOLTS (V)	LAMP(S) INCLUDED?
D8000	A-Type	INCANDESCENT	40	120	NO
D8050	PL7	FLUORESCENT	7	120	YES
D8051	S-13-GU24	FLUORESCENT	13	120	YES
D8052	S-26-GU24	FLUORESCENT	26	120	YES
D-LED8000	A19	90 LEDs	4	120	YES

- ▶ **Riser Not Included**
- ▶ **1/2" NPT**
- ▶ **Available Finish:** Black, Green, Verde Green
- ▶ **ETL Approved**

Overall Dimensions:
11.00"H x 10.00"W x 10.00"D

Weight: 2.20 lbs
Approximate Wire Length: 6.00"
Pagoda Head Only
(No Post or Ground Spike Included)

Box Dimensions:
11.00"H x 10.38"W x 10.38"D



DABMAR LIGHTING INCORPORATED

2140 Eastman Ave . Oxnard, CA 93030 . 805.604.9090 . f: 805.604.9050 . www.dabmar.com