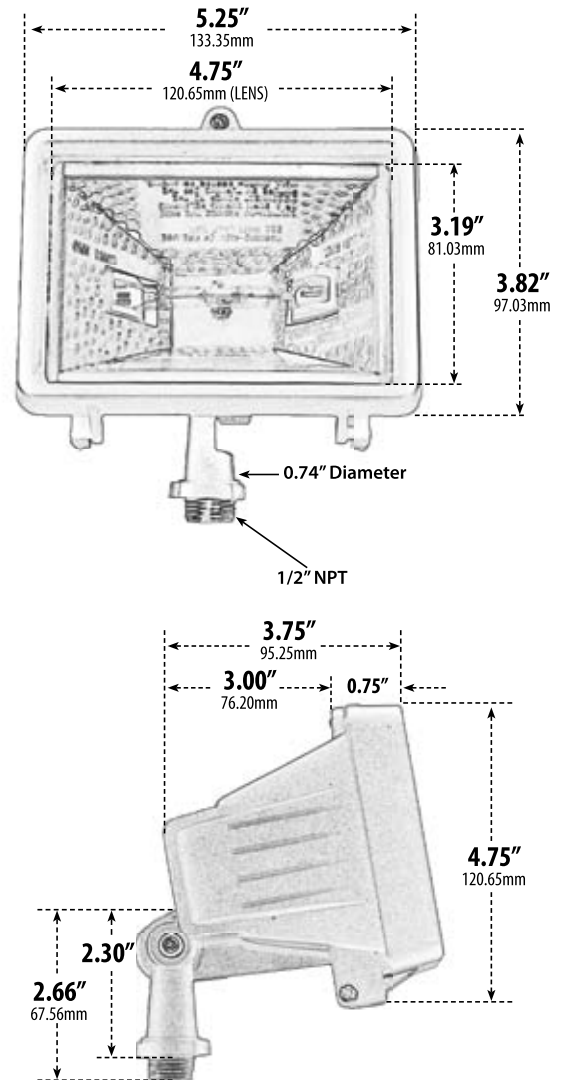


D105

AREA FLOOD LIGHT



- ▶ **Material:** Powder Coated Cast Aluminum
- ▶ **Lens:** Clear, Heat Resistant, Tempered Glass
- ▶ **Lamp:** Double-Ended (150W Maximum)

MODEL NUMBER	LAMP TYPE	ILLUMINANT TYPE	WATTS (W)	VOLTS (V)	LAMP(S) INCLUDED?
LV105	DOUBLE-END	HALOGEN	150	120	YES

Pre-wired with UL Listed Direct Burial Wire/Cable

- ▶ **Adjustable Knuckle with 1/2" NPT**
- ▶ **Ground Spike for Installation** (sold separately)
- ▶ **Available Finish:** White, Green
- ▶ **ETL Approved**

Overall Dimensions: 6.75"H x 5.25"W x 5.00"D
 Maximum Height: 7.00"
 Minimum Height: 5.50"
 Width: 5.25"
 Maximum Depth: 5.25"
 Minimum Depth: 4.50"

Weight: 1.00 lbs
 Approximate Wire Length: 3.0"
 Box Dimensions: 4.00"W x 8.25"H x 5.50"D



DABMAR LIGHTING INCORPORATED

2140 Eastman Ave . Oxnard, CA 93030 . 805.604.9090 . f: 805.604.9050 . www.dabmar.com