

# BS200

## PIER MOUNTS FOR POST TOP FIXTURES

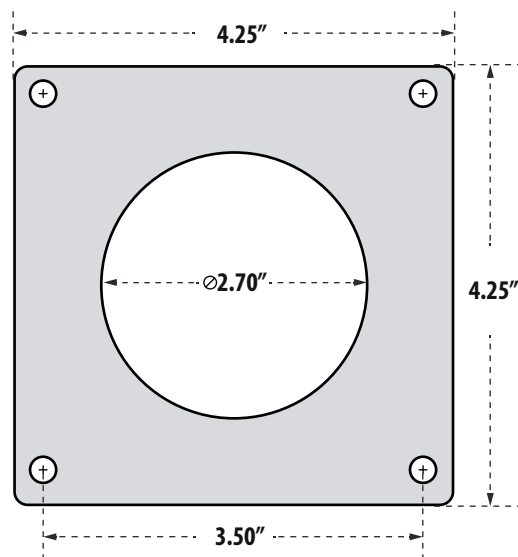


Overall Dimensions:  
9.00"H x 4.33"W x 4.33"D

Weight: 0.4 lbs

► **Material:** Lexan (Black, White)

MODEL NUMBER		
BS200	9"H x 4.33" W BASE	3" OD FITTER



**DABMAR**  
LIGHTING

DABMAR LIGHTING INCORPORATED

2140 Eastman Ave . Oxnard, CA 93030 . 805.604.9090 . f: 805.604.9050 . www.dabmar.com