

PLASTIC TABLE & CHAIR Instructions

Delta™

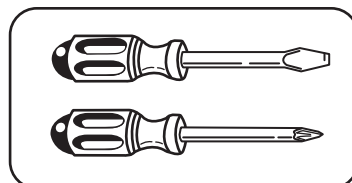
Children's Products

Model #

ADULT ASSEMBLY REQUIRED

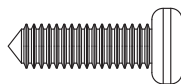
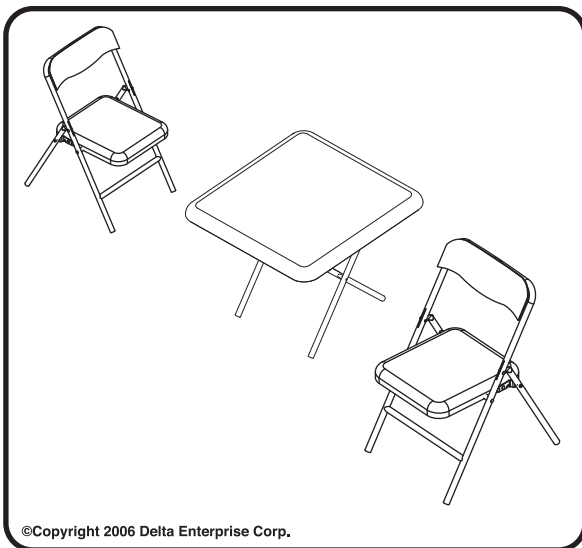
MADE IN CHINA

PARTS



⚠ WARNING

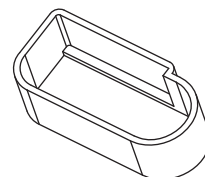
This package contains small parts
Keep away from children until assemble.



A-4



A. (2)



LOCK RING



B. (2)

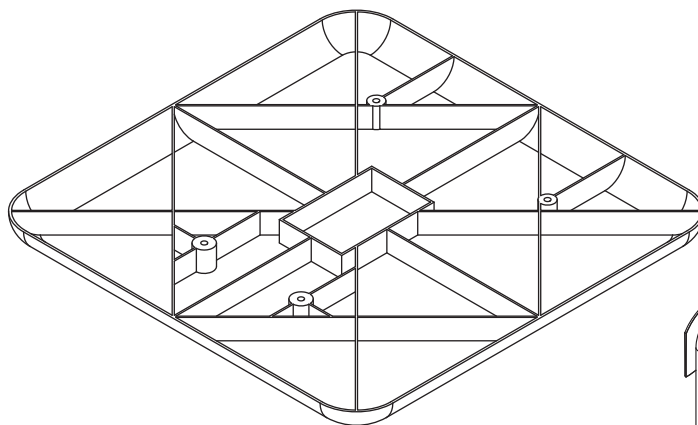
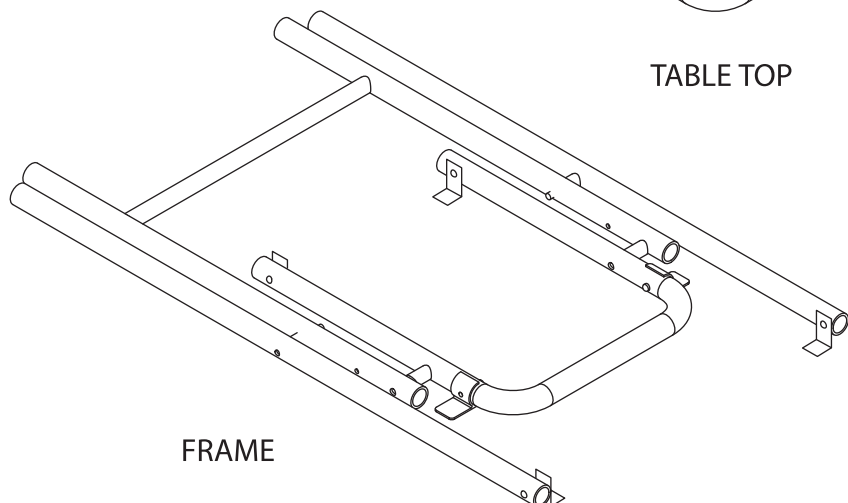
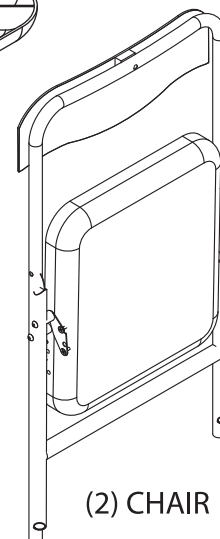


TABLE TOP



FRAME



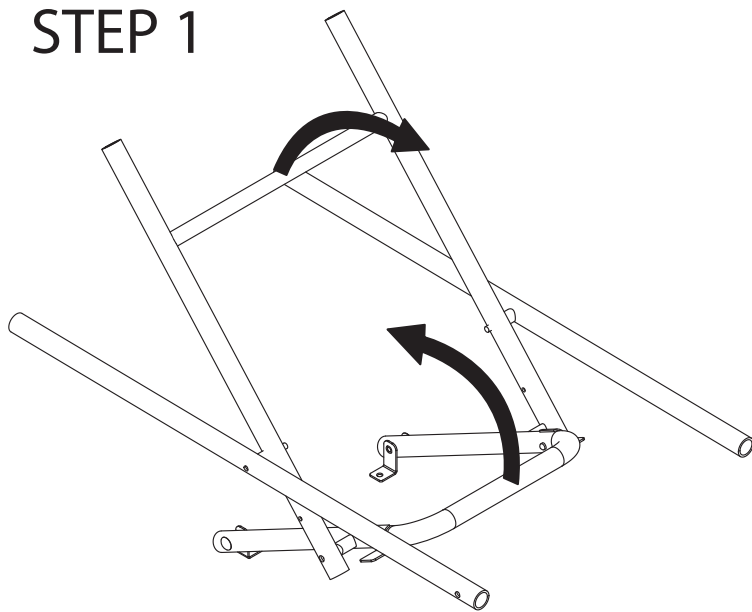
(2) CHAIR

CUSTOMER SERVICE

114 West 26th Street
New York, NY 10001
Tel. 212-645-9093
Fax. 212-645-9032

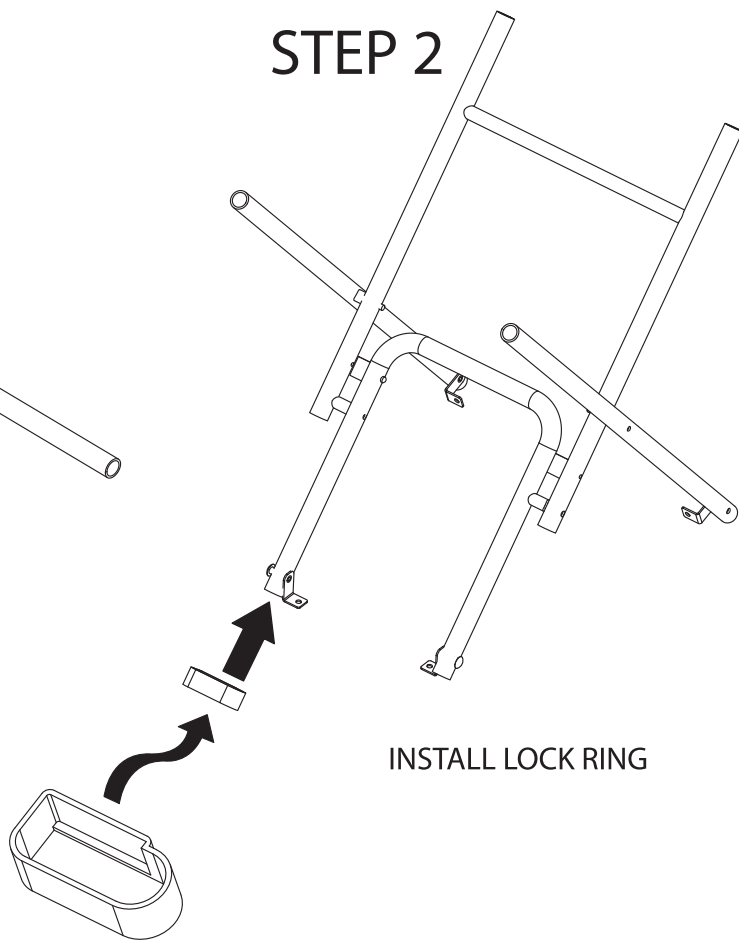
customersupport@deltaenterprise.com
www.deltaenterprise.com

STEP 1



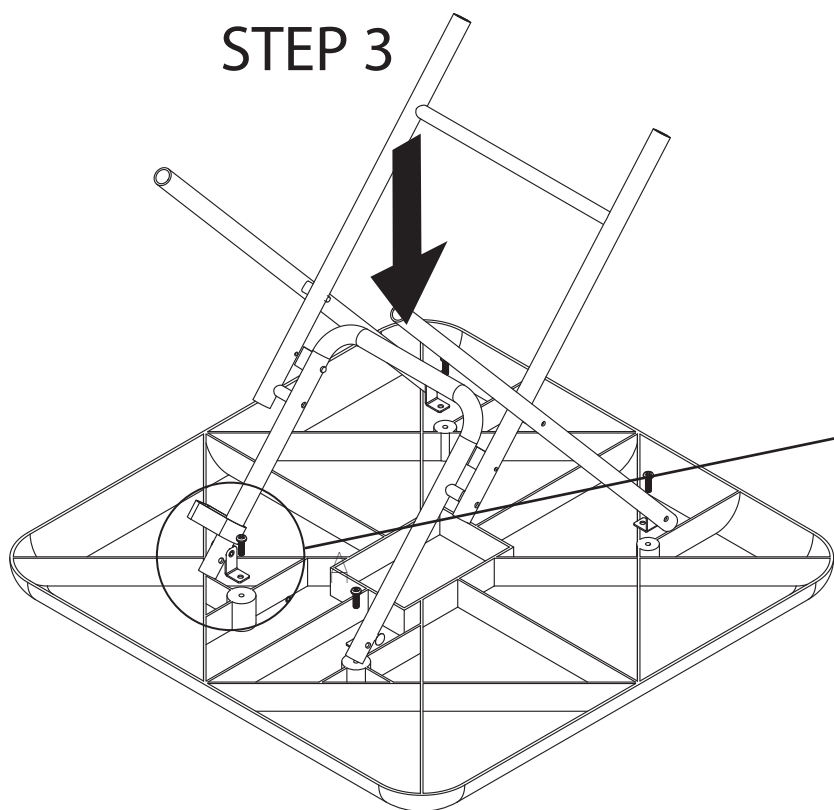
OPEN FRAME

STEP 2

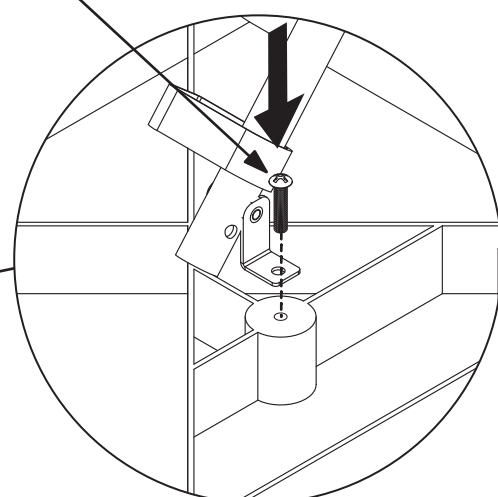


INSTALL LOCK RING

STEP 3



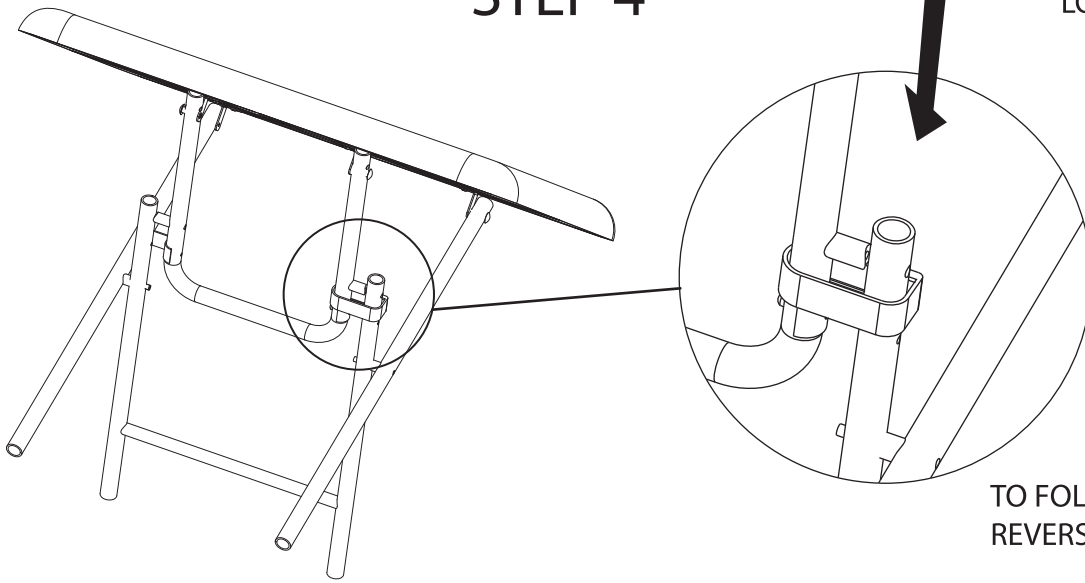
A



ATTACH FRAME TO TABLE TOP

STEP 4

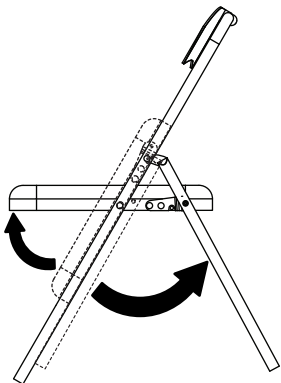
LOCK FRAME



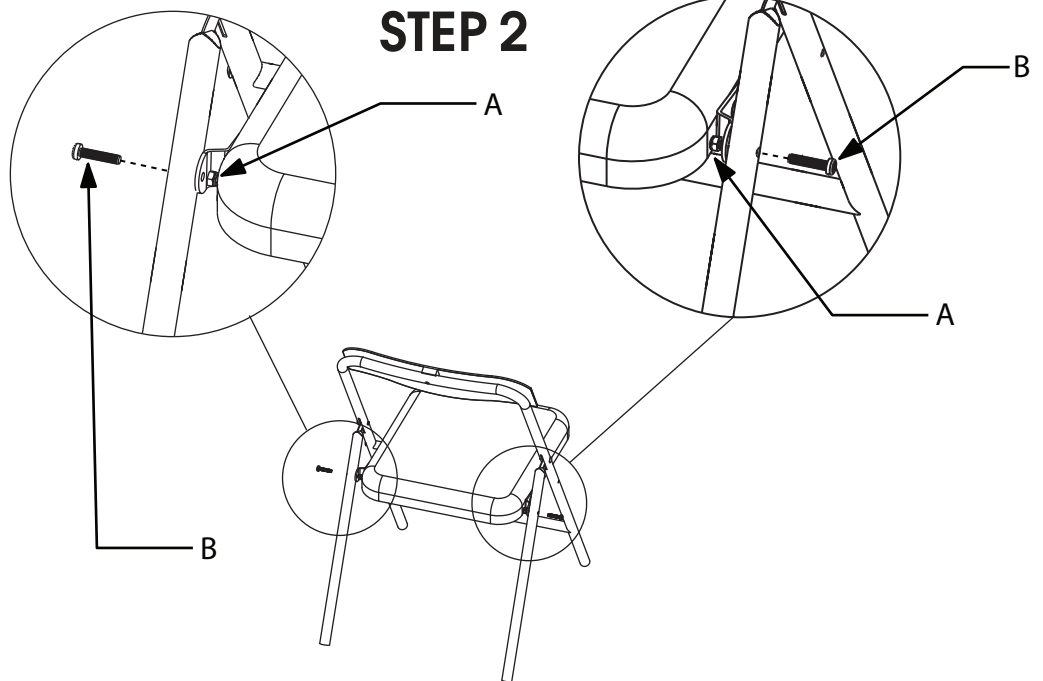
TO FOLD UP TABLE
REVERSE STEPS 4 AND 1

CHAIR SET UP

STEP 1



STEP 2



STEP 3

