



CARS TWIN BED W/ LIGHTS

BB86655CR Twin Bed



⚠ WARNING:

THIS ITEM REQUIRES ASSEMBLY BY AN ADULT BECAUSE OF SMALL PARTS. CARE SHOULD BE TAKEN IN UNPACKING AND ASSEMBLY OF THIS PRODUCT. NEVER USE THE TWIN BED CONFIGURATION WITH CHILDREN YOUNGER THAN 2 YEARS OLD. INFANTS WHO CANNOT GET IN AND OUT OF A TWIN BED WITHOUT HELP CAN BE TRAPPED IN GAPS FORMED BETWEEN THE MATTRESS AND THE WALL OR PARTS OF THE BED AND SUFFOCATE.

PHILLIPS SCREWDRIVER REQUIRED
Colors and styles may vary slightly.
Accessories not included.
Bedding and mattress not included

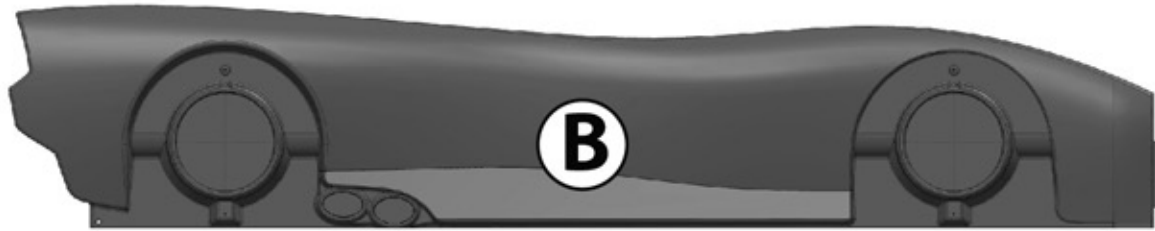
Do not mix old and new batteries.
Do not mix alkaline, standard (carbon-zinc), or
rechargeable (nickel-cadmium) batteries.



Twin Bed Parts



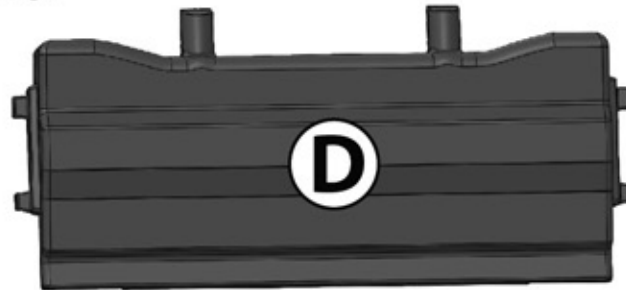
Right Side Panel



Left Side Panel



Front Bumper



Back Panel



Spoiler



Tires



Headlights

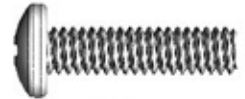
TO FULLY ASSEMBLE THE TWIN BED
YOU WILL NEED



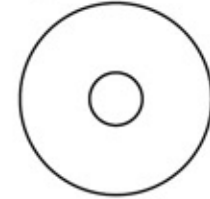
6 x 3/4" Length



8 x 3/4" Length



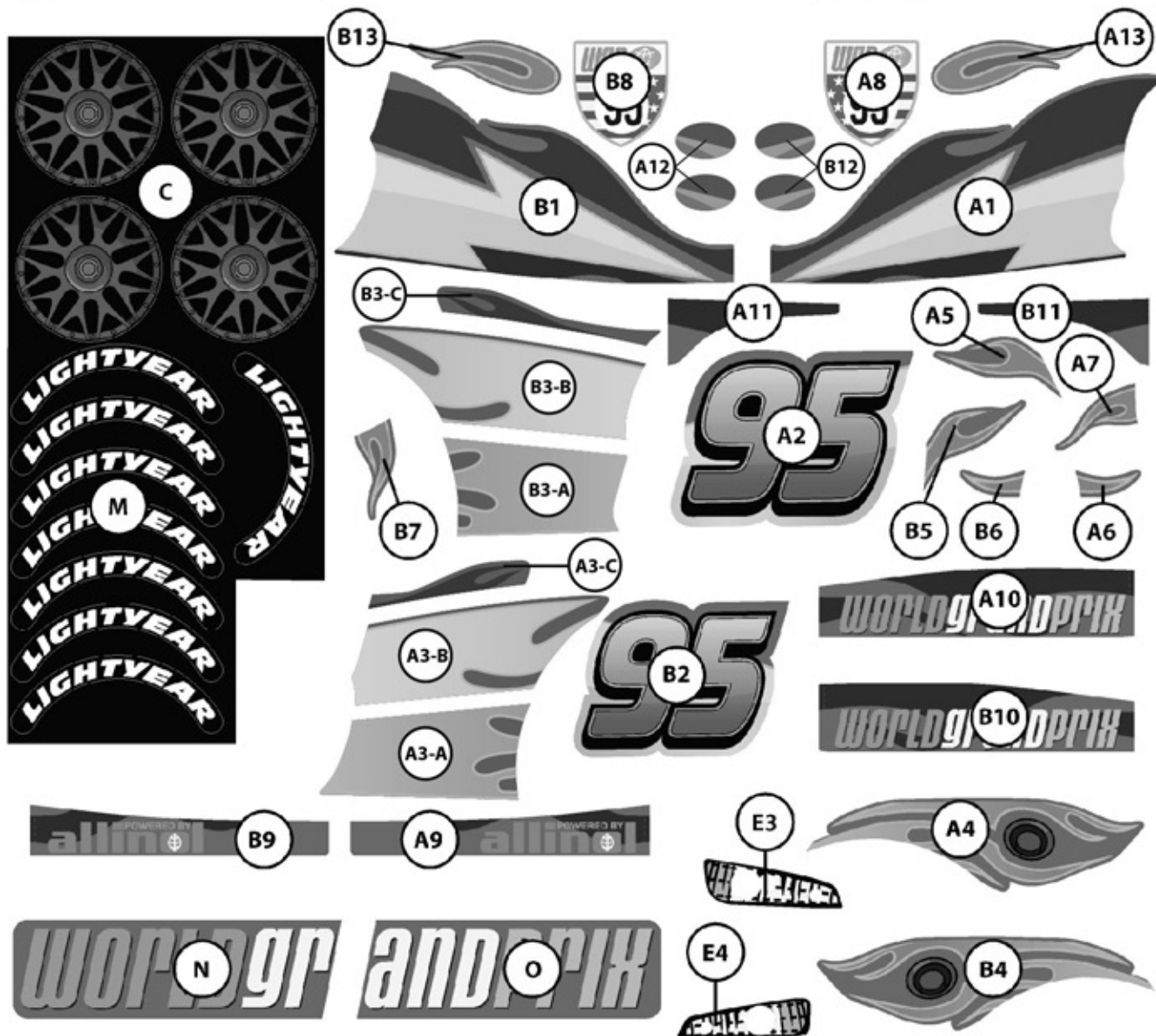
2 x 1.0" Length



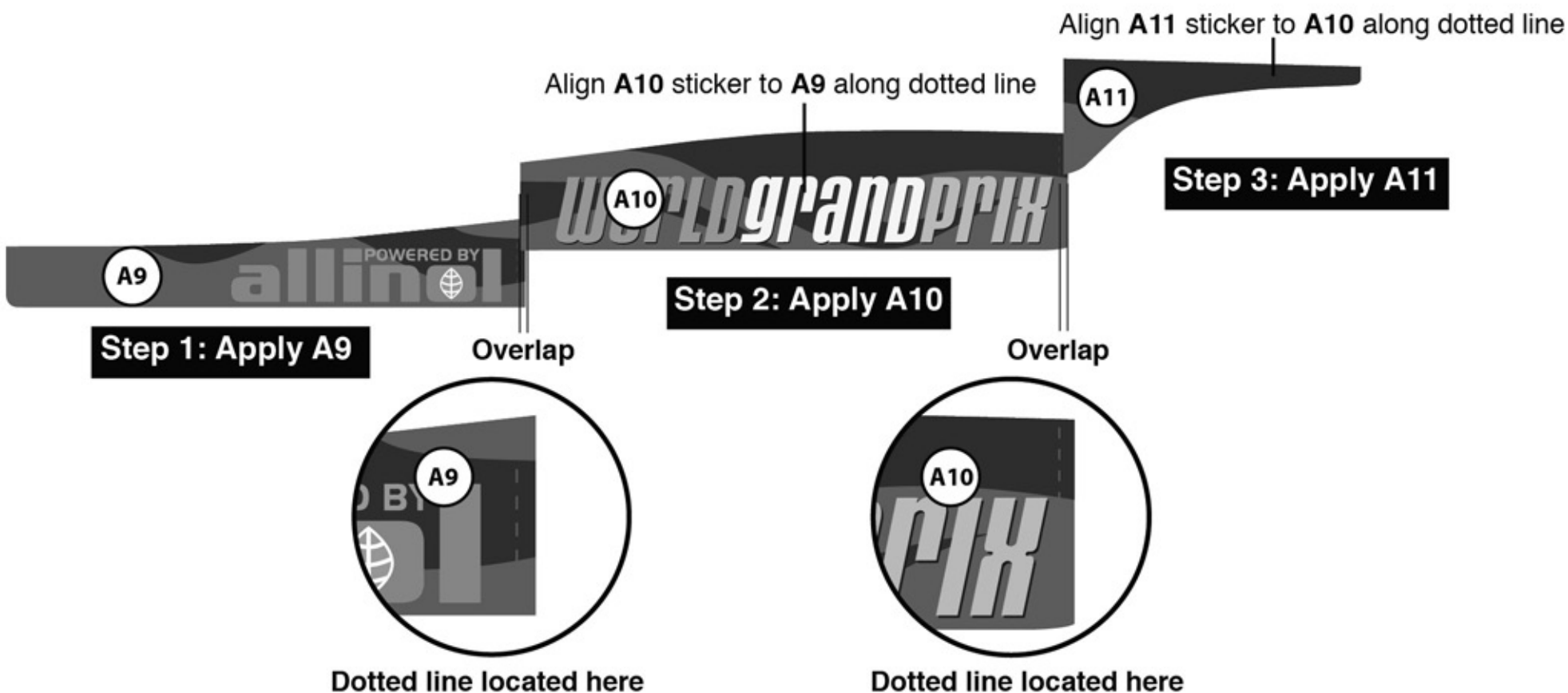
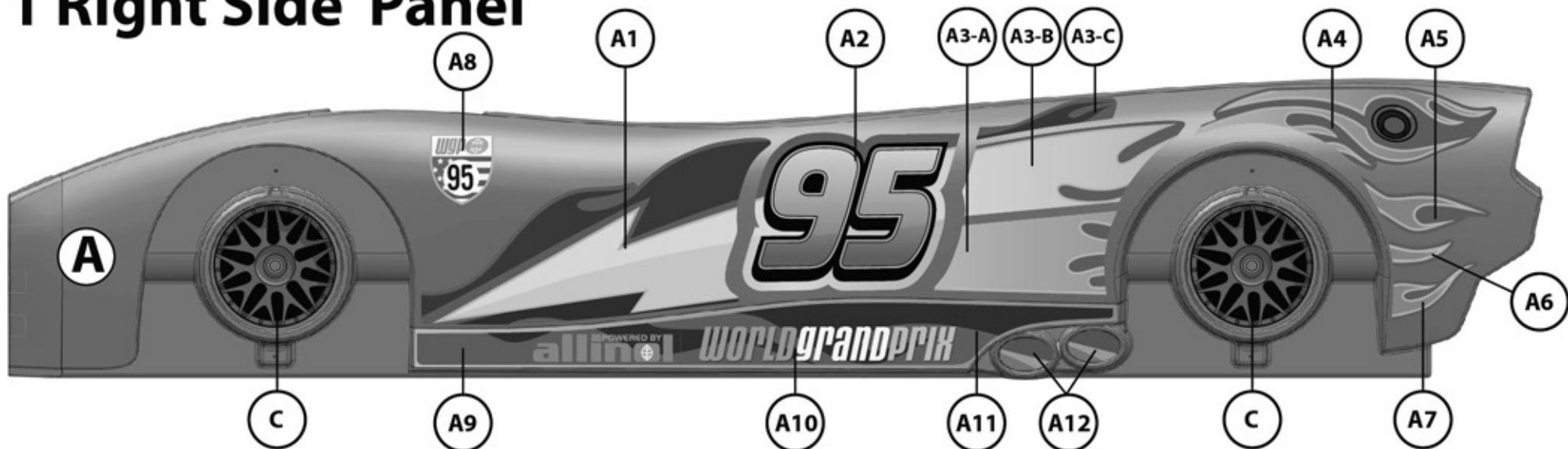
2 x 1.0" DIA.

Stickers

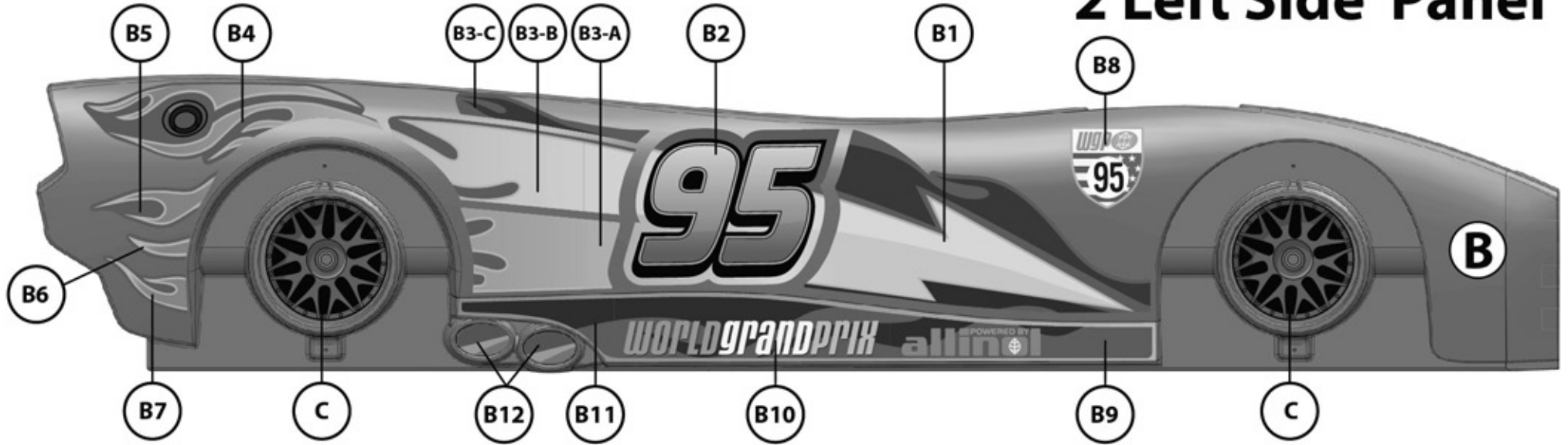
- Please apply all stickers on individual parts before assembly unless otherwise specified
 - DO NOT apply stickers to tires, steering wheel, or spoiler until AFTER the toddler bed is fully assembled
- For best results, place individual parts on a flat surface before applying stickers.



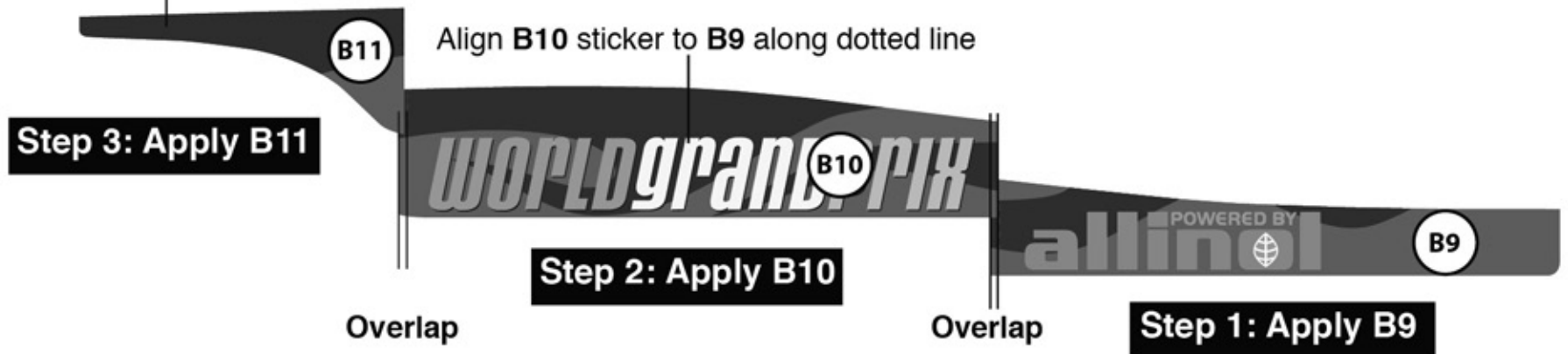
1 Right Side Panel



2 Left Side Panel



Align **B11** sticker to **B10** along dotted line

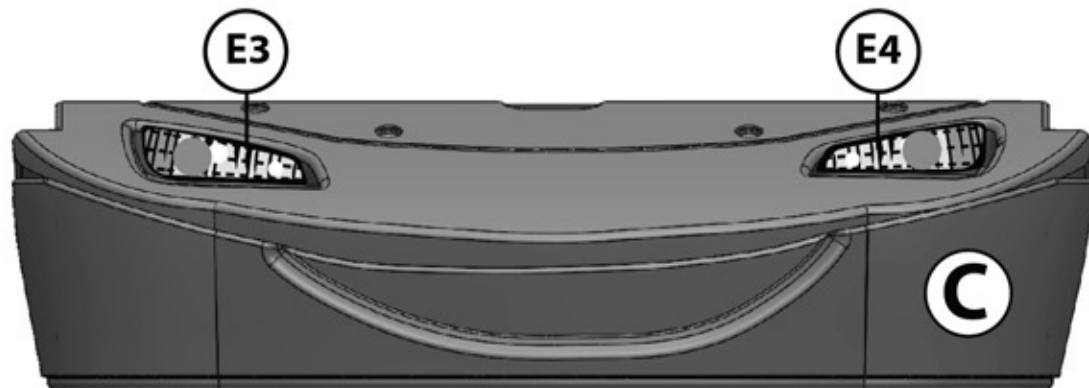


Dotted line located here

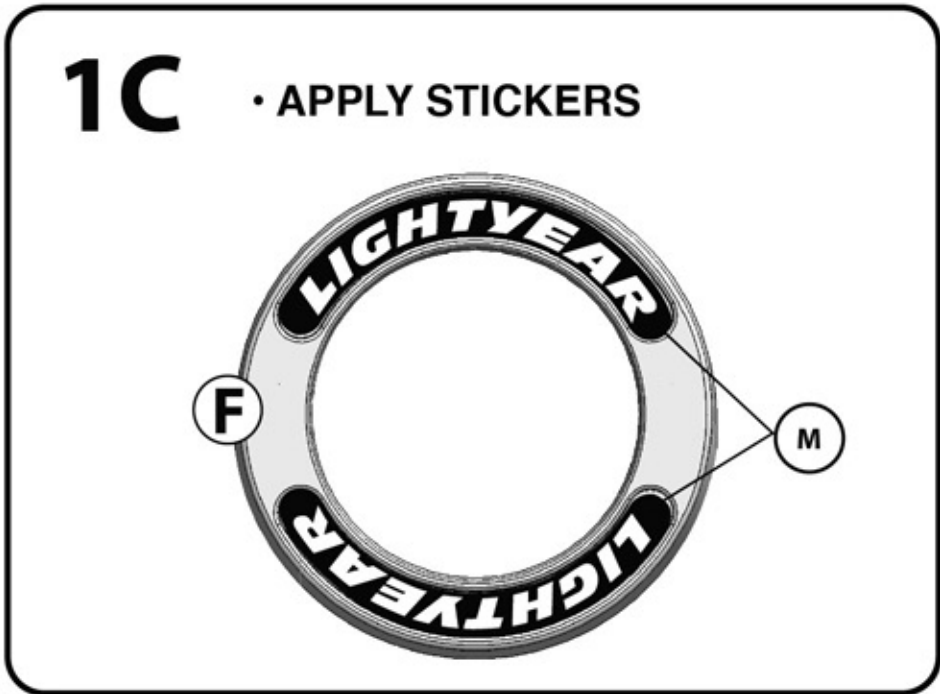
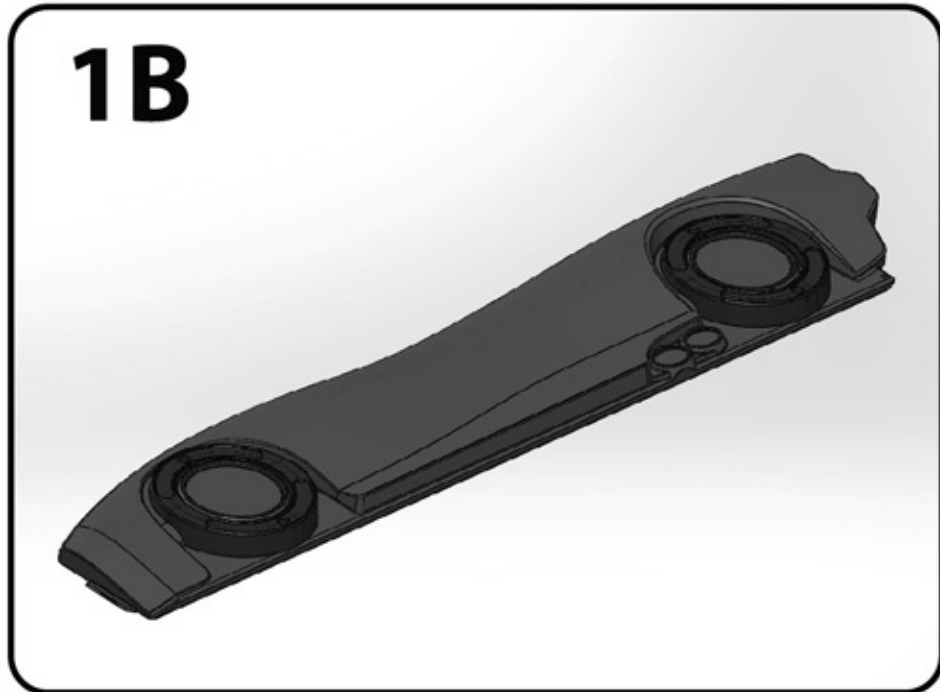
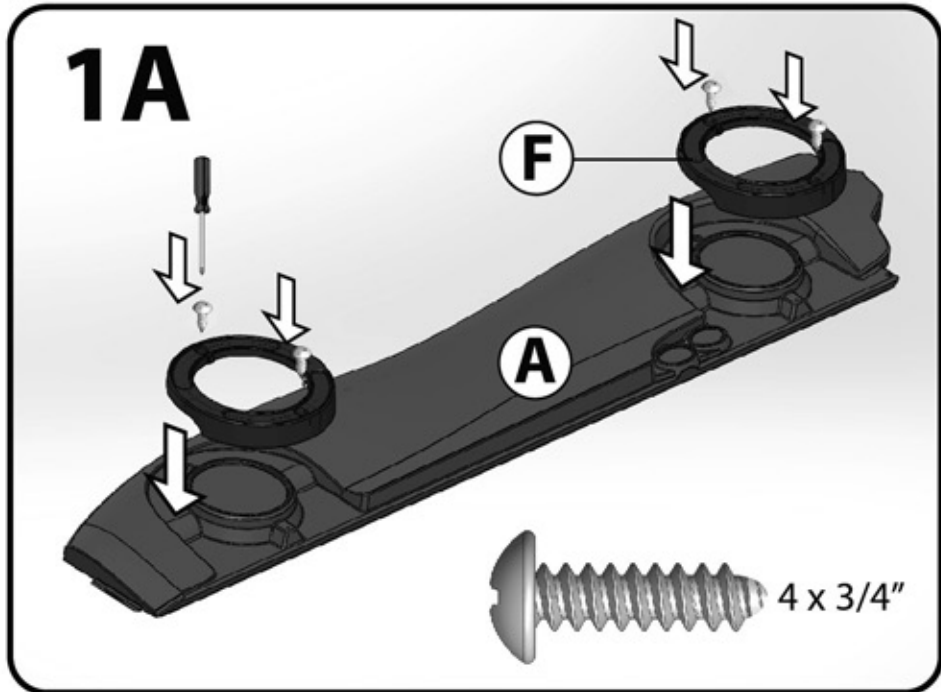


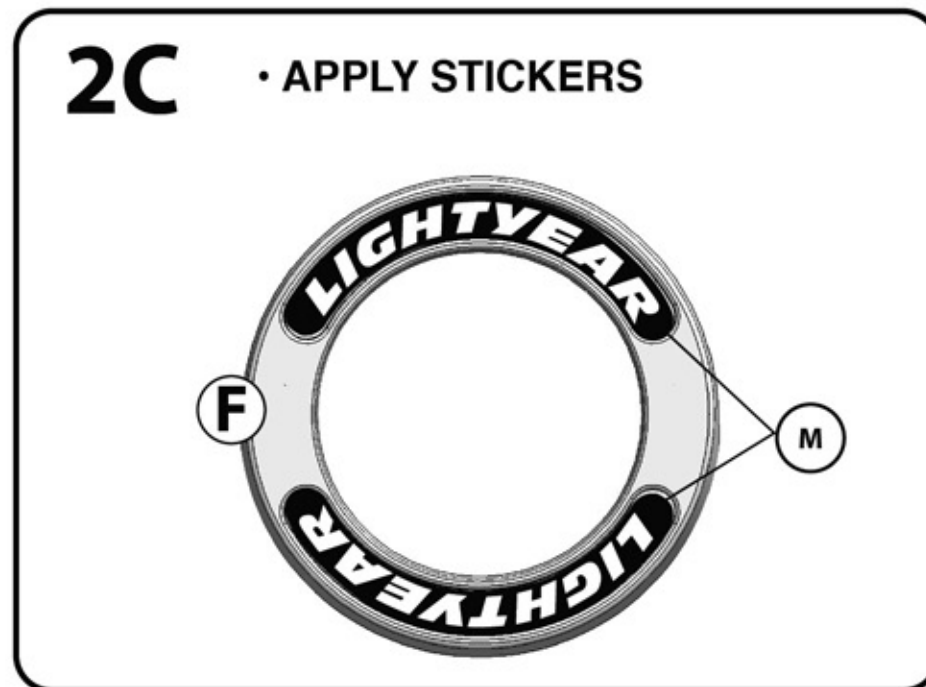
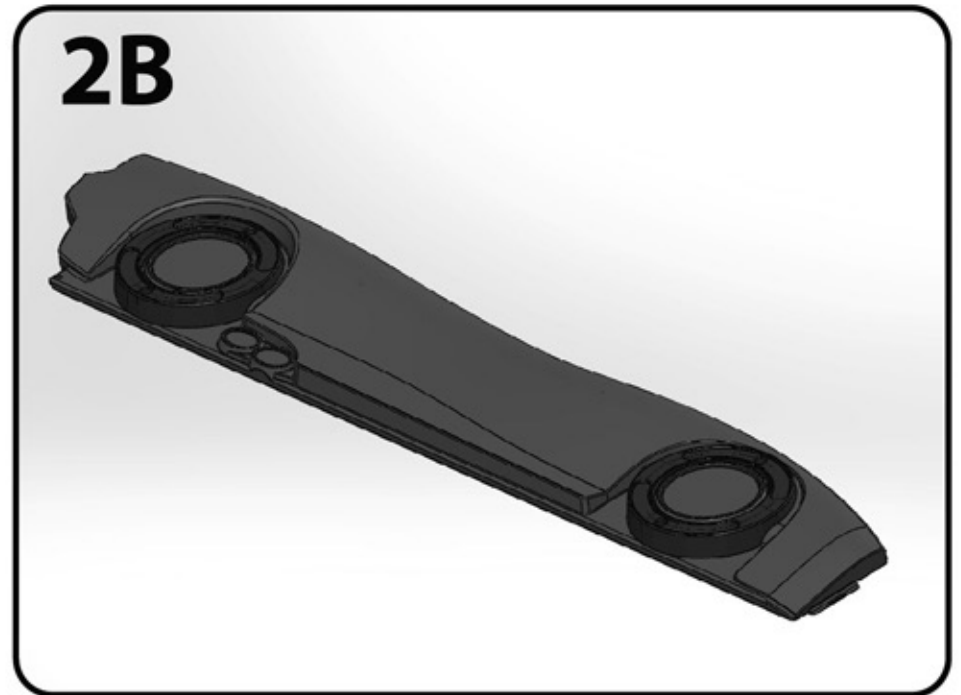
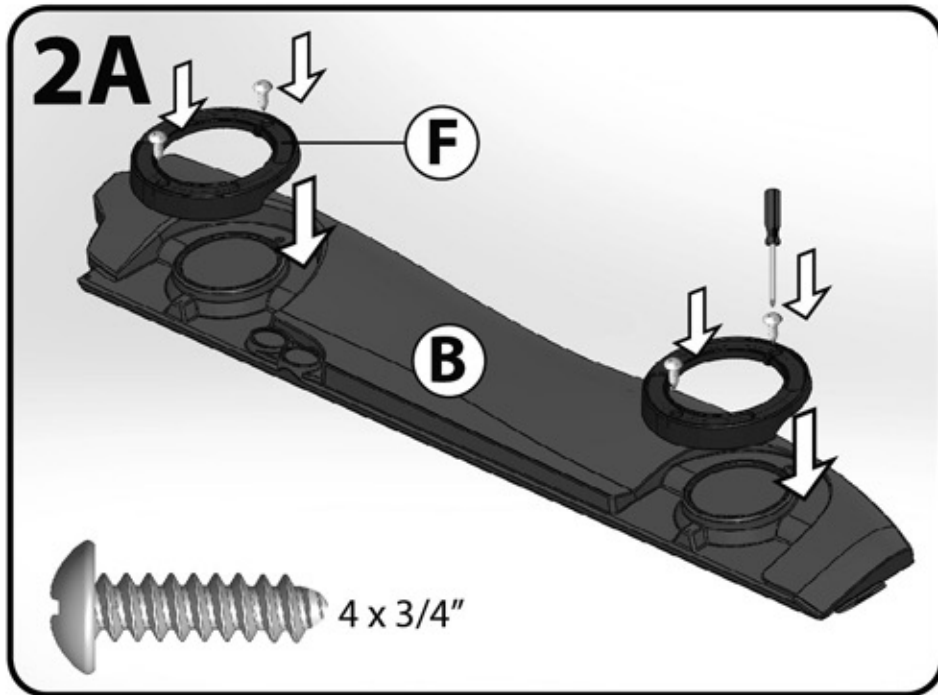
Dotted line located here

4 • APPLY STICKERS



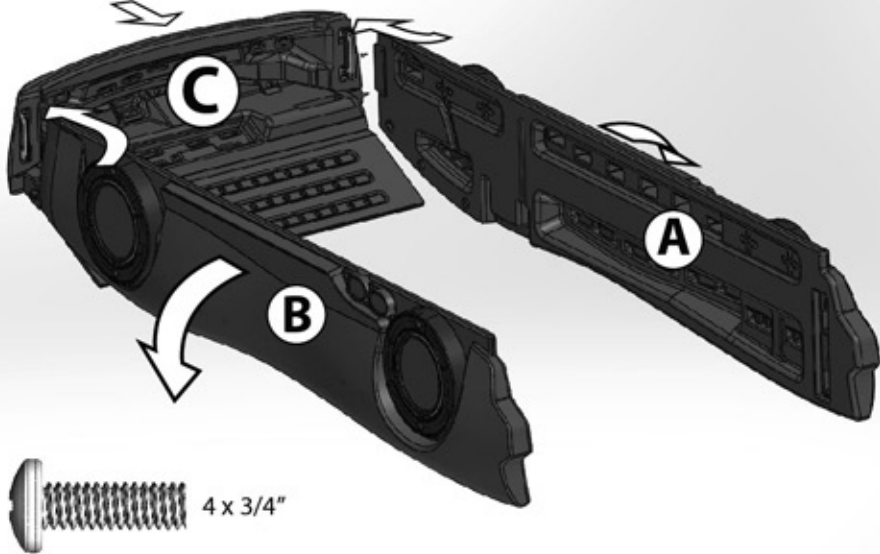
•Match cut-out in headlight sticker to holes on front bumper



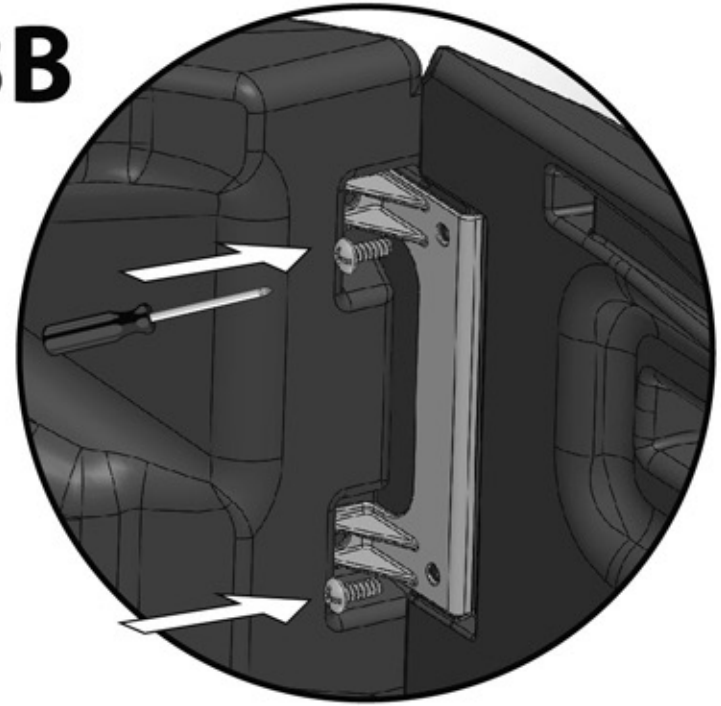


3A

• Turn both side panels and front bumper upside down to begin assembly

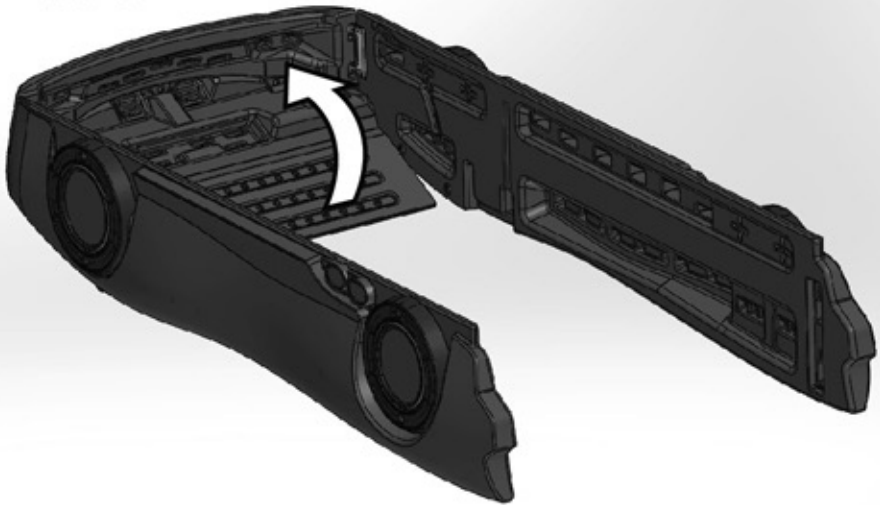


3B

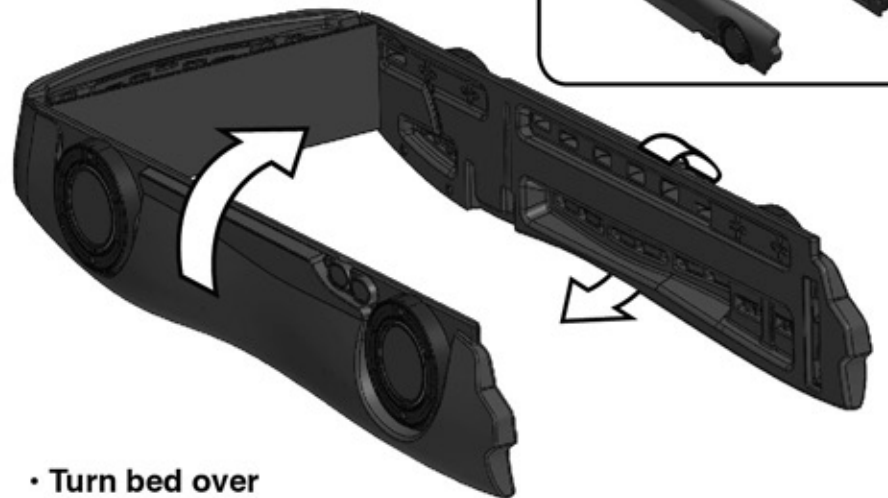


4A

• Fold cover upwards into fully locked position

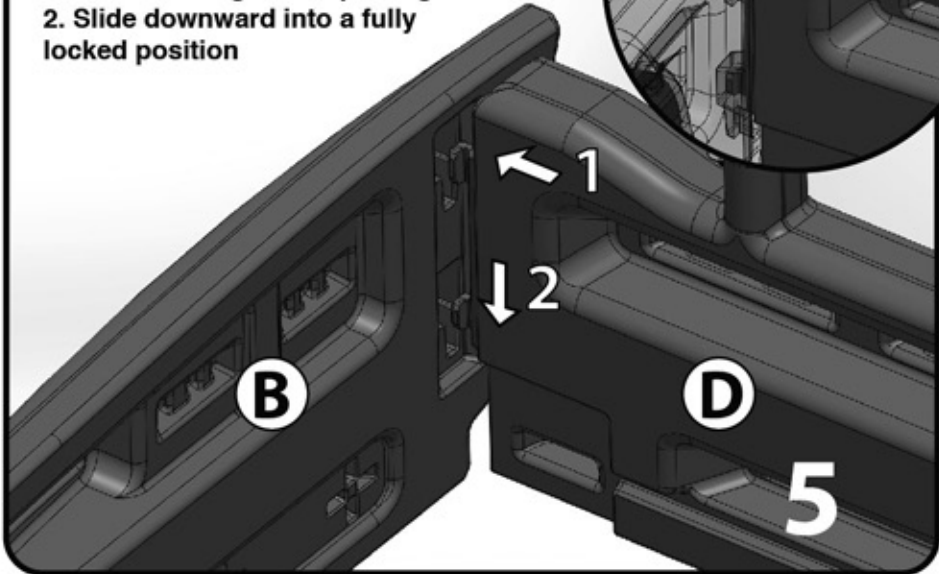
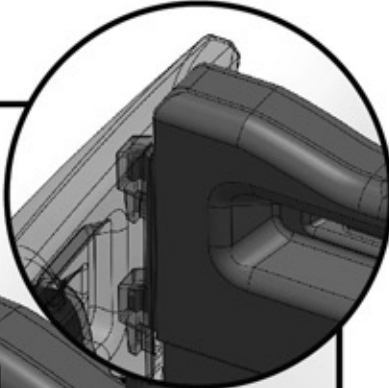


4B

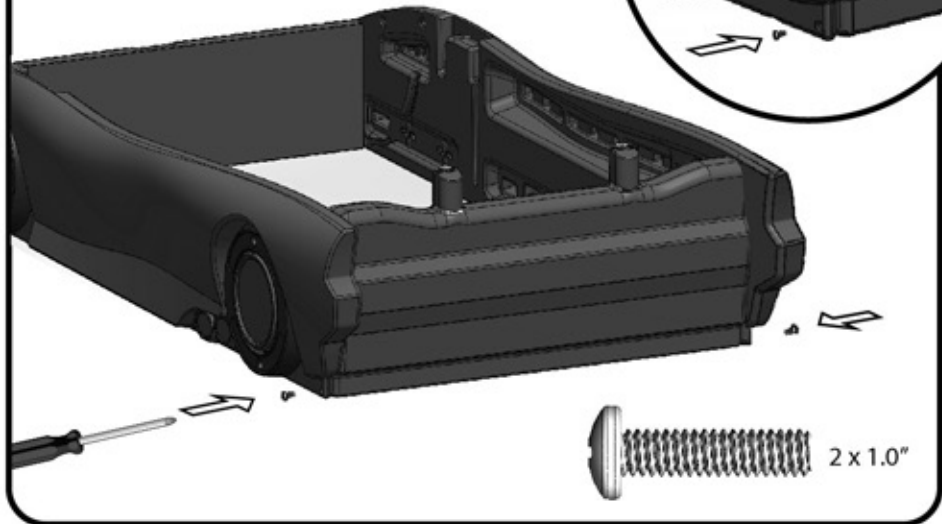


• Turn bed over

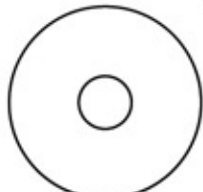
To attach back panel to side panels:
 1. Push back panel latch hooks
 into both left/right side panel grooves
 2. Slide downward into a fully
 locked position



6



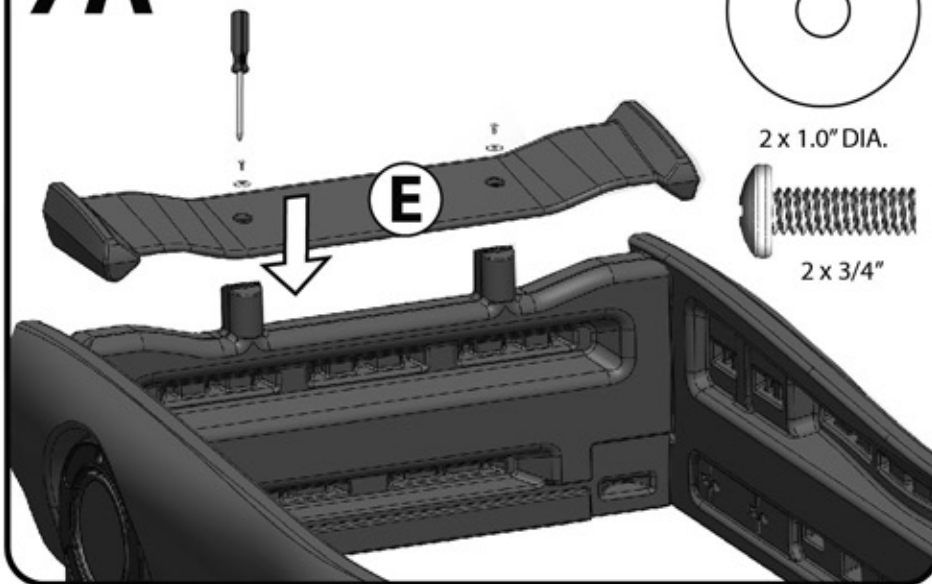
7A



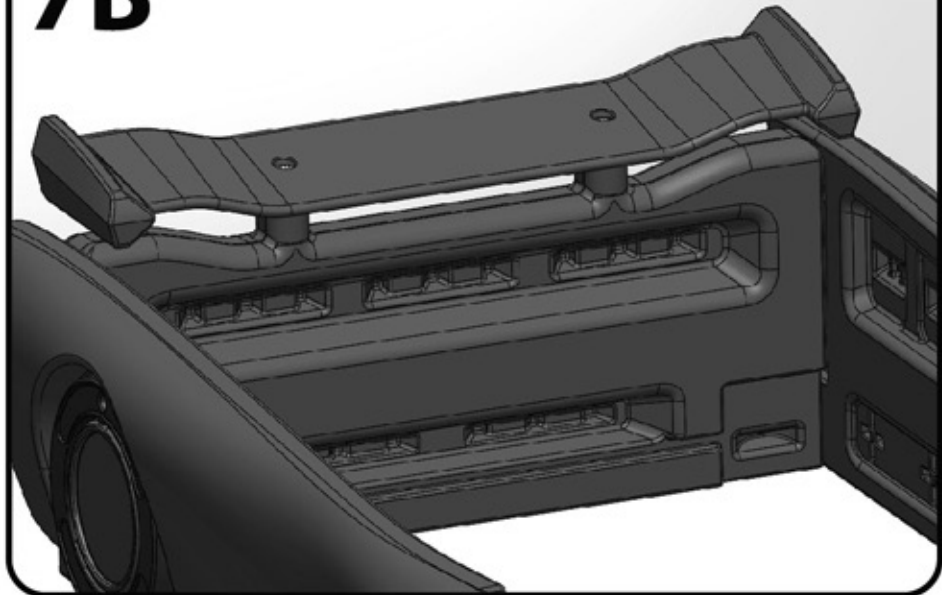
2 x 1.0" DIA.



2 x 3/4"



7B



8

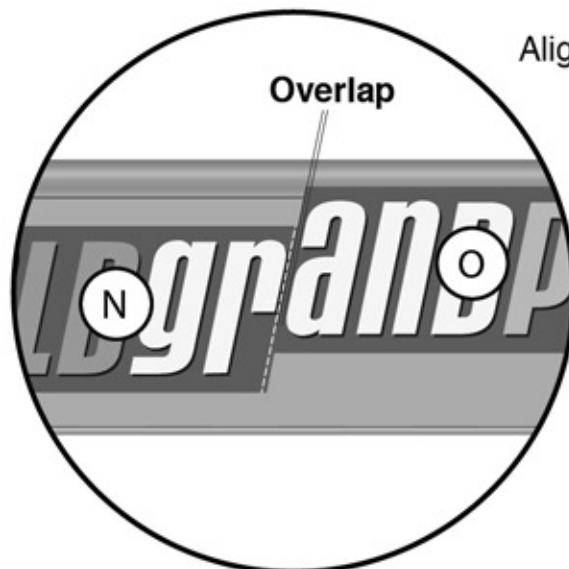
• APPLY "N" STICKER AFTER SPOILER IS FULLY ASSEMBLED

• APPLY "O" STICKER AFTER SPOILER IS FULLY ASSEMBLED



2.50" (approx.) Apply sticker here

Align O sticker on N along dotted line



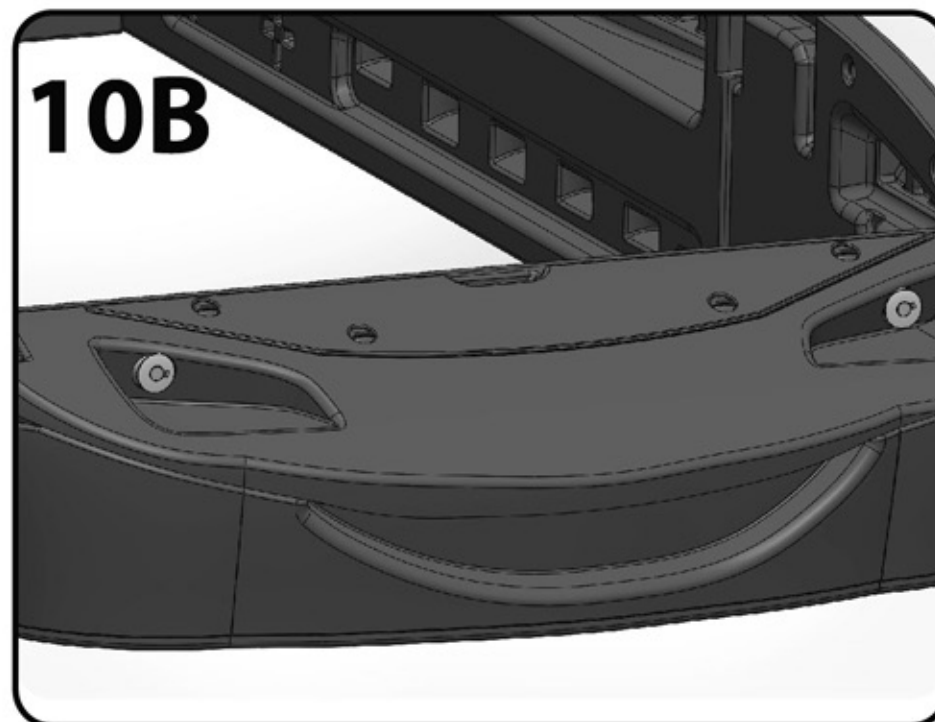
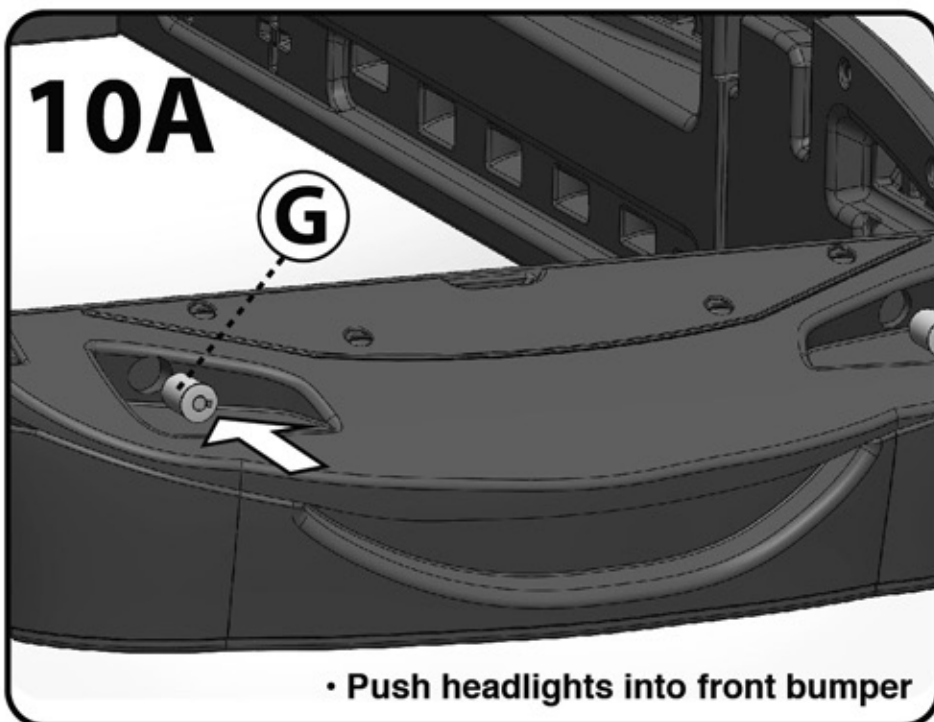
Dotted line located here

9

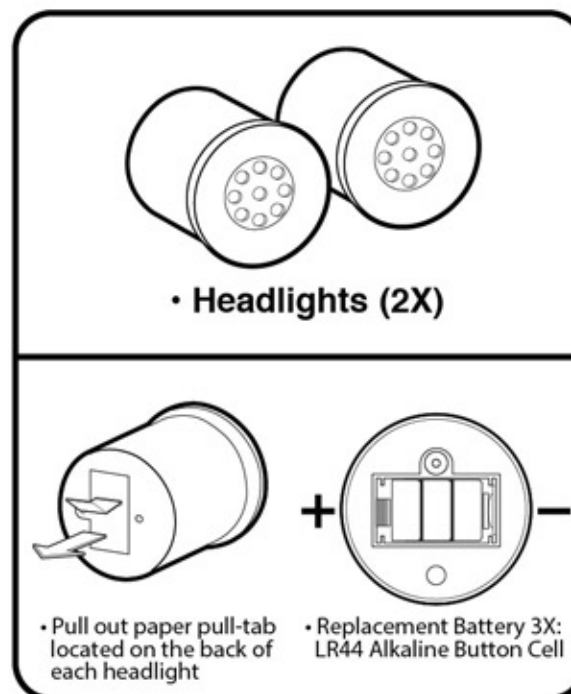


B13

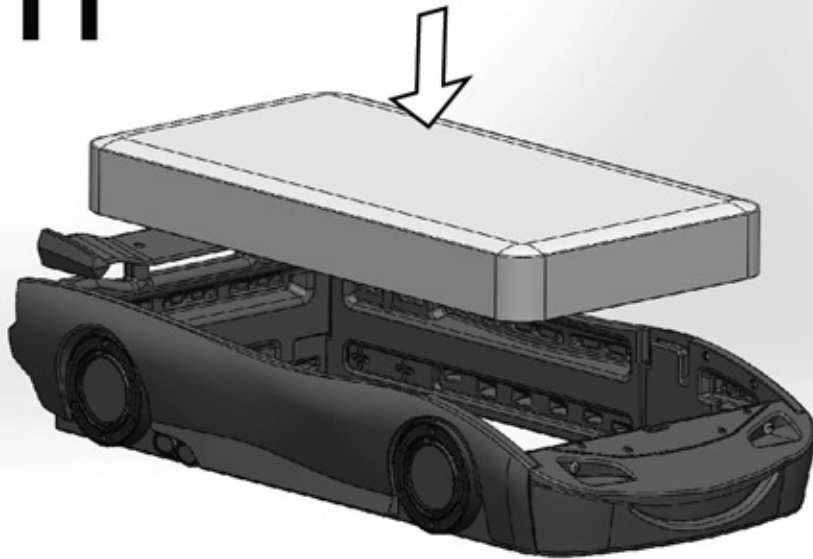
A13



• Push center to turn on headlight

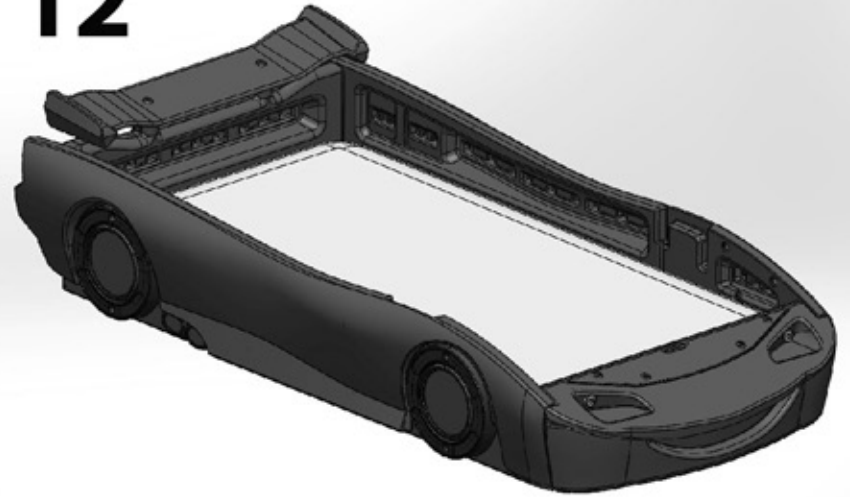


11



• Works with standard boxspring and twin mattress

12



Twin Bed

TWIN BED

WARNING:

THIS ITEM REQUIRES ASSEMBLY BY AN ADULT BECAUSE OF SMALL PARTS. CARE SHOULD BE TAKEN IN UNPACKING AND ASSEMBLY OF THIS PRODUCT. NEVER USE THE TWIN BED CONFIGURATION WITH CHILDREN YOUNGER THAN 2 YEARS OLD. INFANTS WHO CANNOT GET IN AND OUT OF A TWIN BED WITHOUT HELP CAN BE TRAPPED IN GAPS FORMED BETWEEN THE MATTRESS AND THE WALL OR PARTS OF THE BED AND SUFFOCATE.

DELTA CHILDREN'S PRODUCTS
114 WEST 26TH STREET
NEW YORK, N.Y. 10001 U.S.A.
PHONE: (212) 645-9033

MANUFACTURED AND DISTRIBUTED BY
DELTA CHILDREN'S PRODUCTS
NEW YORK, NY 10001
MADE IN U.S.A