

TOUR BUGGY STROLLER

11802-XXX/805050-XXX/805051-XXX

ASSEMBLY INSTRUCTIONS
ADULT ASSEMBLY REQUIRED



Styles and colors may vary



IMPORTANT: Read all instructions before assembly and use of the stroller
Keep the instructions for future reference

Customer Care Tel. 1-(800)-218-2741

(H)

www.SimmonsKidsProducts.com

DCP Cat # 02-20-12-V8

Consumer Information

WARNING

Prevent serious injury from falls or sliding out:

- ALWAYS use the restraint system.
- Only children who have developed enough upper body control to sit without leaning forward can use the front seat in the upright position.
- NEVER leave child unattended.
- DO NOT use the storage bag to carry children.

To prevent product from tipping over:

- DO NOT exceed the maximum storage weight limit of 3 lbs (1.36 kg) in the storage bag.
- DO NOT exceed the maximum storage weight limit of 3 lbs (1.36 kg) in the cup holder.
- DO NOT place additional items on this product, except as recommended in the instructions.

To prevent injury:

- Make sure all body parts are clear of the stroller when folding and unfolding.
- DO NOT place hot liquids in the cup holder. Hot liquids can burn your child.

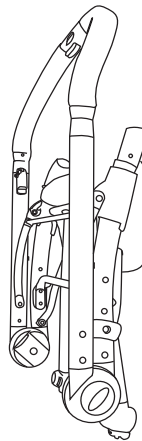
- Please read these instructions before assembly and use of this product.
- Adult assembly is required.
- Use only for a child who weighs less than 45 lbs (20.41 kg).
- Maximum weight limit for the storage bag is 3 lbs (1.36 kg).
- Maximum weight limit for the cup holder is 3 lbs (1.36 kg).
- Product features and decorations may vary from the photo.

Care

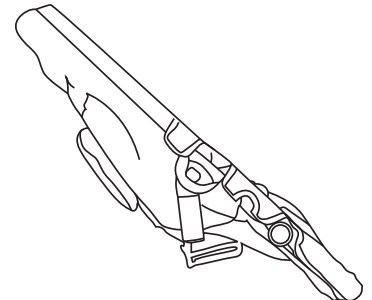
- The plastic parts may be wiped clean using a mild cleaning solution and damp cloth. Hand wash fabric with damp cloth and air dry. Do not use bleach.
- To keep your stroller wheels from squeaking, use a silicone or graphite based lubricant.

Parts

IMPORTANT! Please remove all parts from the package and identify them before assembly.



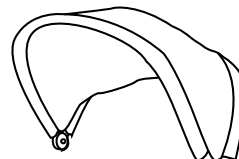
Folded Stroller Frame



Folded Seat



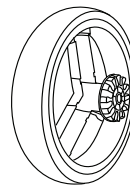
Bumper Bar



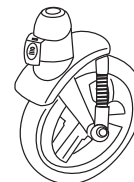
Folded Canopy



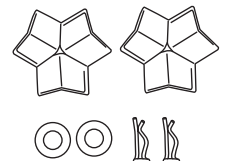
Rear Wheel Axle



Rear Wheels X 2

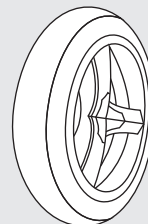


Front Swivel
Wheels X 2

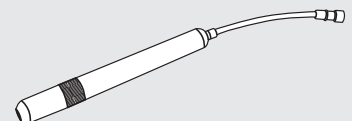


Rear Wheel
Attachment Hardware

***(For models with air filled rear tires)**



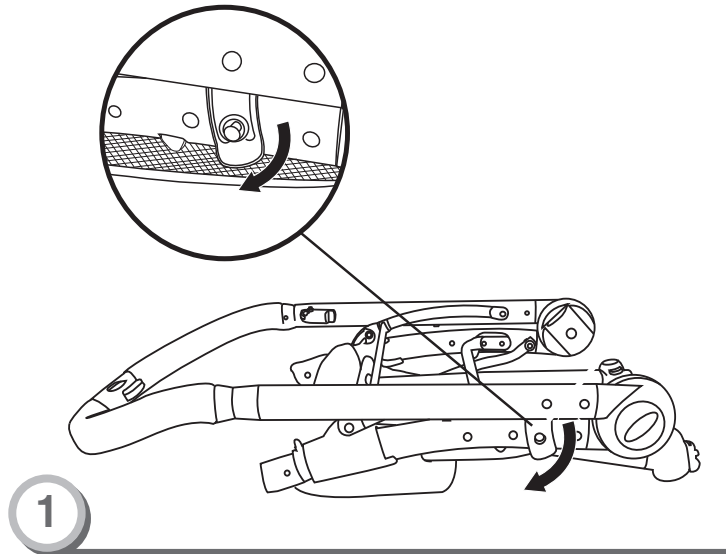
Air Filled Rear Wheels X 2
(On Some Models)



Air Pump (On Some Models)

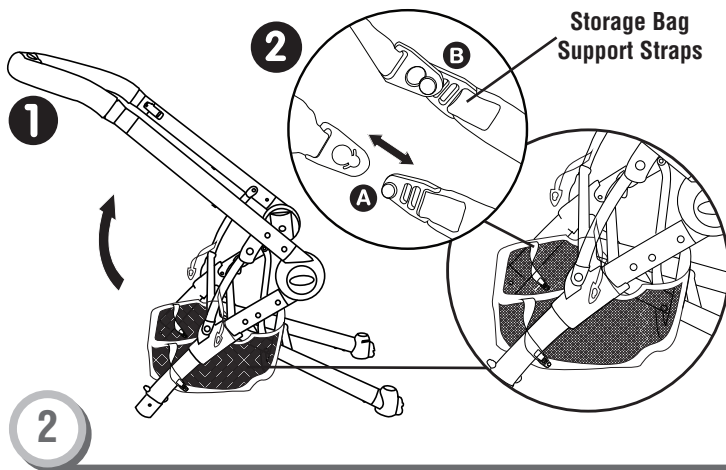
Assembly

IMPORTANT! Before assembly or each use, inspect this product for damaged hardware, loose joints, missing parts or sharp edges. **DO NOT** use if any parts are missing or broken. Contact manufacturer for replacement parts and instructions if needed. Never substitute parts.

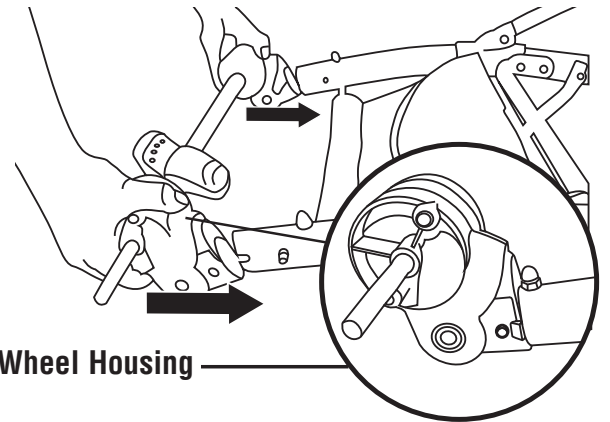


Opening Stroller

- Locate the latch clip on the side frame of the stroller.
- Pull to release the latch clip.

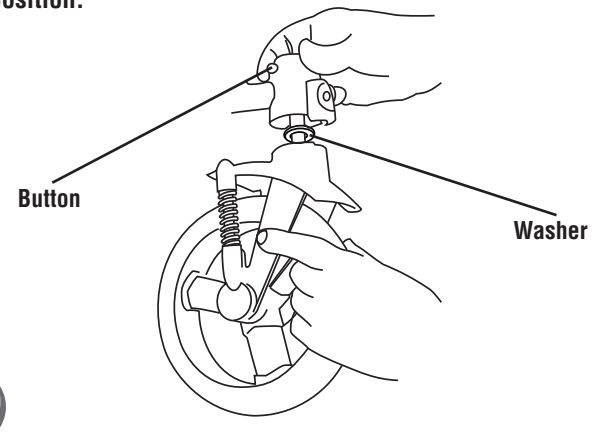


- **1** Grab the handle and lift up to unfold the stroller with the other hand.
- **2** Locate the storage support straps. **A** Fit the male strap end into the female strap end and **B** pull the two ends apart until you hear them click into the lock position. Repeat this procedure for second strap.



Rear Wheel Housing

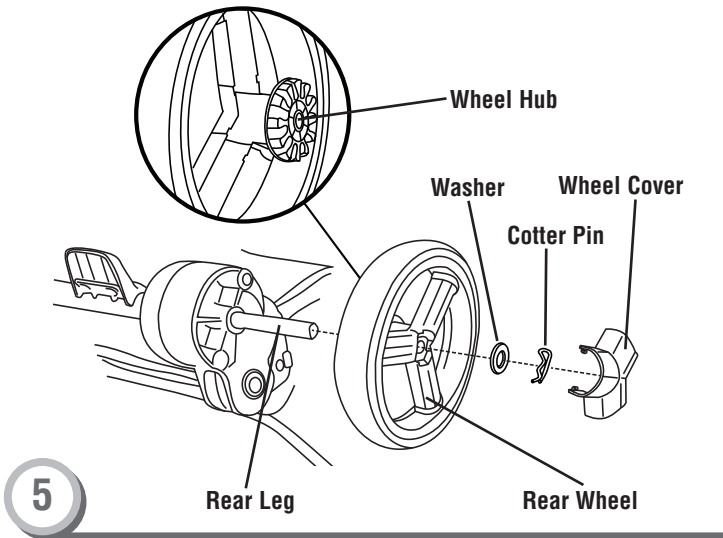
- **3** **Attaching Rear Wheel Axle**
 - Locate the rear wheel axle and the stroller frame.
 - Insert the rear wheel housing onto the rear frame support
 - Push the rear wheel housing until you hear it “click” into the locked position.
 - Pull down on the rear wheel axle to assure it is properly locked into position.



Attaching Front Swivel Wheels

- Locate the legs on the front of the stroller. (as pictured above)
- Attach the front wheel unit to the front of the stroller leg, push up on the wheel unit until you hear it “click” into the locked position.
- Pull on the front wheel assembly to make sure it is securely attached to the front leg.
- Repeat this procedure to attach the other front wheel assembly.

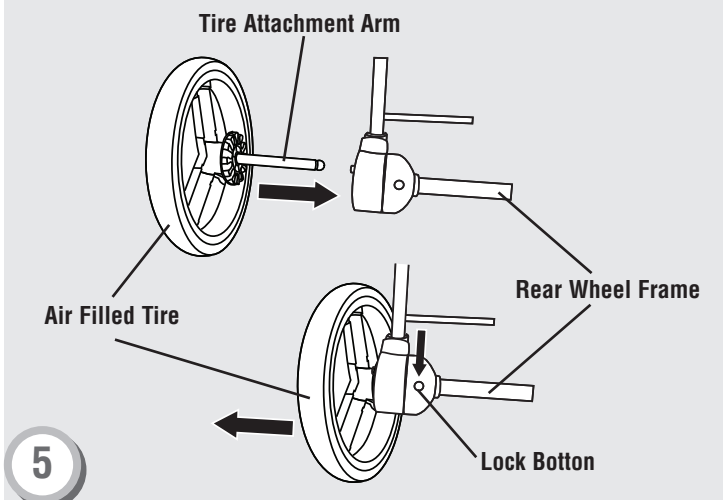
Assembly



Attaching Rear Wheels

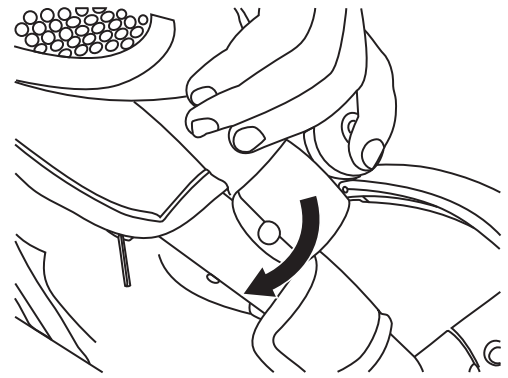
- Locate the rear leg on the back of the stroller and the rear wheel, align the rear wheel with the rear leg as pictured above.
- Remove the cotter pin and washer, then slide the wheel onto axle with the wheel hub facing the stroller, Slide on the washer, insert straight side of cotter pin through the hole in the axle.
- Then snap on the rear wheel cover until you hear a “click”.
- Pull on the rear wheel assembly to make sure it is securely attached to the rear leg.
- Repeat this procedure to attach the other rear wheel assembly.

Assembly Air Filled Tire (On Some Model)



Attaching Air Filled Rear Wheels (On Some Model)

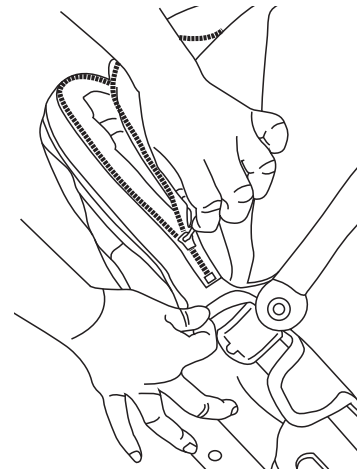
- Locate the air tire.
- Insert the tire attachment arm into the hole insert on the frame attachment housing.
- Push the tire into the attachment housing until you hear it “click” into the locked position.
- To remove the air tire, press the lock button on the frame attachment housing and pull out the wheel.



6

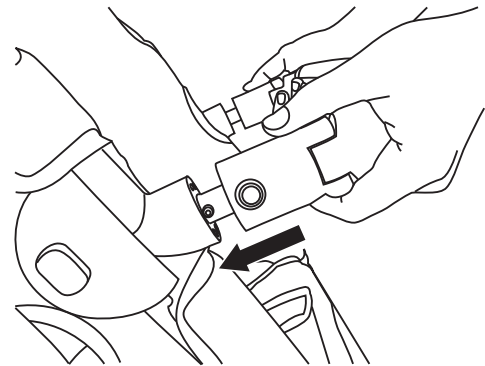
Attaching Canopy

- Locate the canopy and align the canopy holes on the canopy fixture with the fixing rivets on the handles.
- Press down the canopy until it “clicks” into the locked position.
- Check to make sure the canopy is properly attached.



7

- Locate the zipper on the rear edge of the canopy and the top of the seat.
- Zipper the canopy closed.



8

Attaching Bumper Bar

- Locate the bumper bar and align the bumper bar pegs with holes in front of the seat unit.
- Insert the bumper bar until you hear it “click” into the locked position. Pull out on the bumper bar to make sure its securely attached.

Setup and Use

WARNING

Prevent serious injury from falls or sliding out:

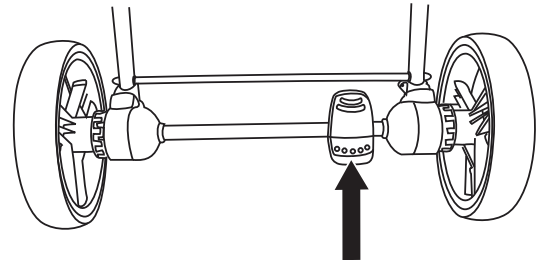
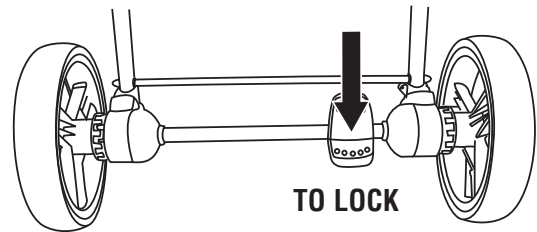
- ALWAYS use the restraint system.
- Only children who have developed enough upper body control to sit without leaning forward can use the front seat in the upright position.
- NEVER leave child unattended.
- DO NOT use the storage bag to carry children.

To prevent product from tipping over:

- DO NOT exceed the maximum storage weight limit of 3 lbs (1.36 kg) in the storage bag.
- DO NOT exceed the maximum storage weight limit of 3 lbs (1.36 kg) in the cup holder.
- DO NOT place additional items on this product, except as recommended in the instructions.

To prevent injury:

- Make sure all body parts are clear of the stroller when folding and unfolding.
- DO NOT place hot liquids in the cup holder. Hot liquids can burn your child.



1

TO UNLOCK

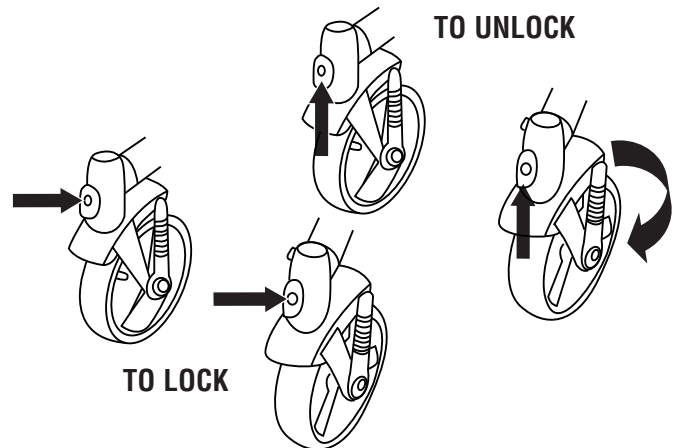
To Lock Rear Wheel

- Step down the brake pedal until it “clicks” into the locked position.

NOTE: Make sure the break pedals are pressed down completely.

To Unlock Rear Wheel

- Lift up the brake pedal until it “clicks” into the unlocked position.



2

NOTE: Make sure the rear break is completely engaged before adjusting the front wheels.

To Lock Front Swivel Wheel

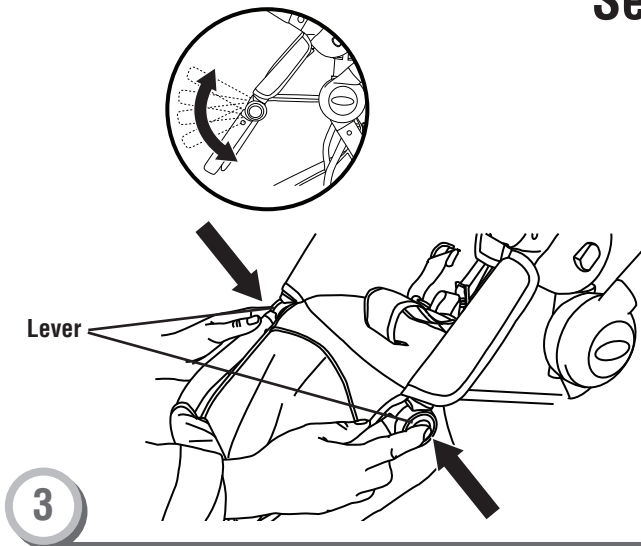
- Press the button on the front of the wheel mount. Then turn the wheel until you hear it click into the position.

NOTE: Make sure the rear break is completely engaged before adjusting the front wheels.

To Unlock Front Swivel Wheel

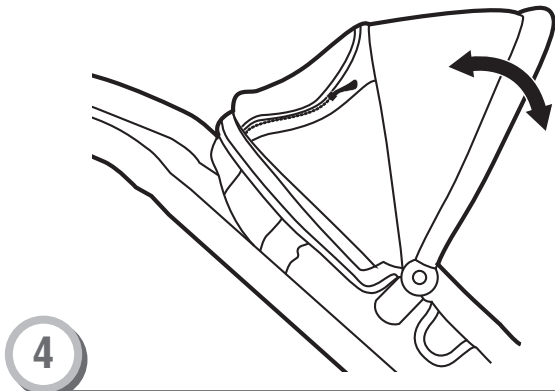
- Lift both swivel lever up until they “click” into the unlocked position and the front wheels are free to swivel.

Setup and Use



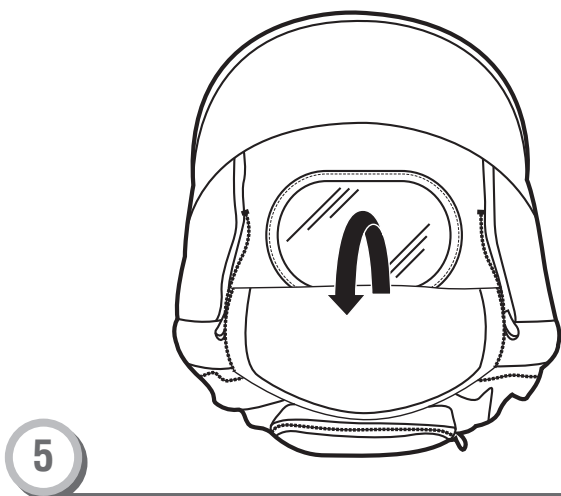
To Adjust the Calf Rest

- The calf rest can be adjusted up or down for the child's comfort.
- To adjust the calf rest press the lock button on both sides of the seat and adjust the calf rest to the desired position.



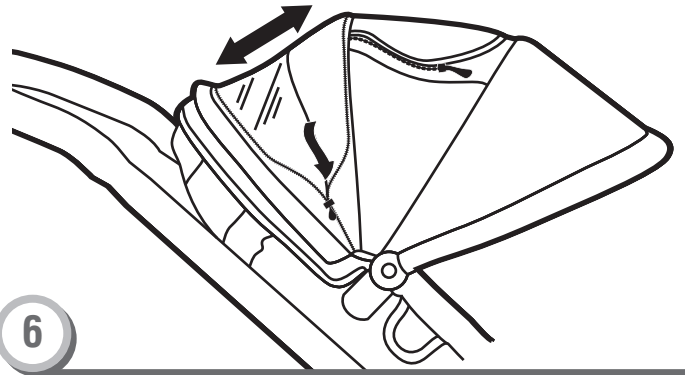
To Adjust the Canopy

- Fold/unfold canopy by grabbing anywhere on the edge of the canopy.



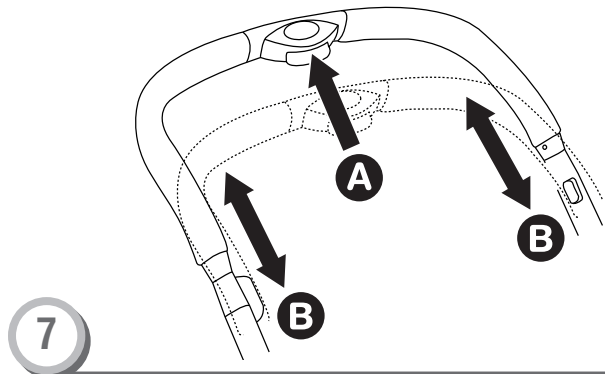
To Open Peak-a-Boo Canopy Window

- Unzip the zipper on both side of the canopy window and flip it to see the peak-a-boo window.



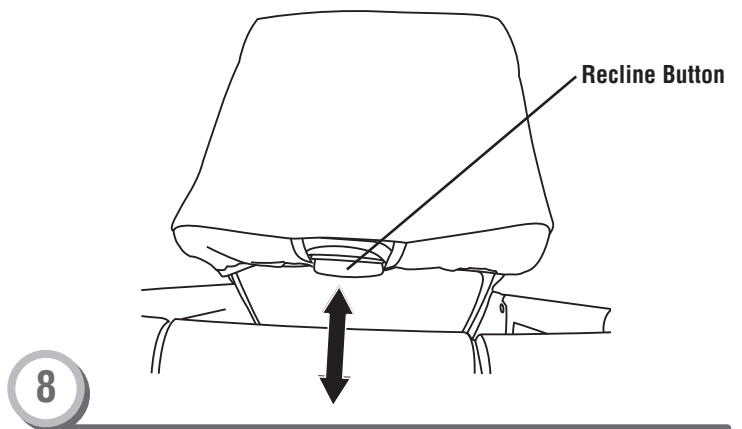
To Open Third Section Canopy (On Some Models)

- Unzip the zipper on the back of the canopy to release the third section of the canopy. Once the zipper is fully unzipped, pull the canopy out to the open position.
- To close the third section of the canopy, zip the zipper completely closed.



To Adjust the Handle

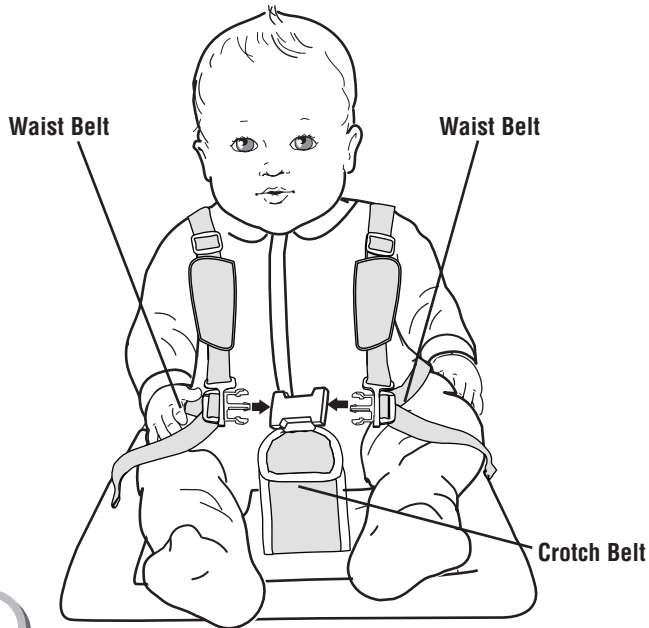
- **A** Press the buttons and **B** adjust the handle to desired position.



To Adjust the Seat Back

- Press down the recline button, pull up or pull down the backrest gently to the desire height.
- NOTE:** It is recommended that the backrest is in the upright position before folding the stroller.

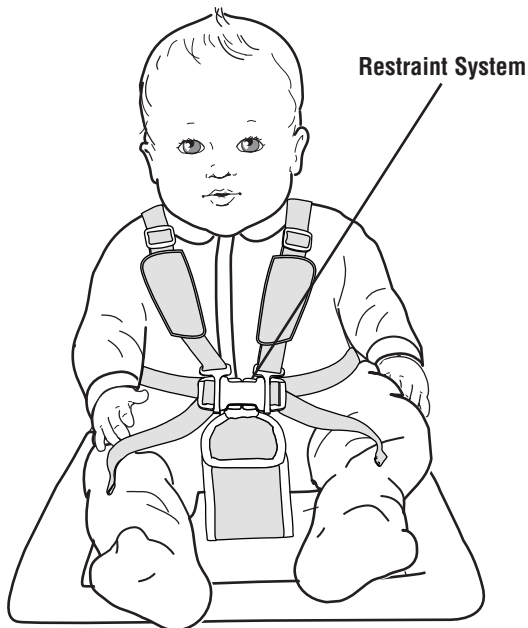
Securing Child



1

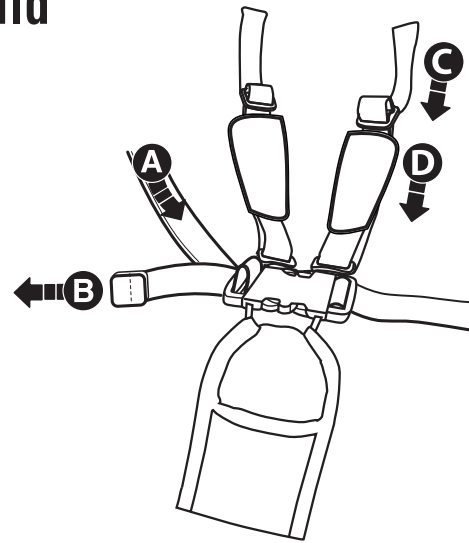
Securing Child

- Place your child in the stroller. Position the crotch belt between your child's legs.
- Pull shoulder straps over child's arm and shoulder and fasten **both** strap ends to the restraint system.
- Fasten **both** waist belts to the buckle on each side of the crotch belt. Make sure you hear a "click" on both sides.
- Check to be sure the restraint system is securely attached by pulling it away from your child. The restraint system should remain attached.

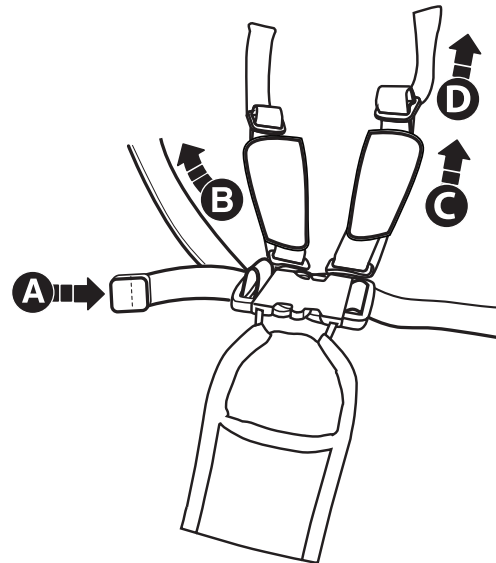


2

- Tighten each waist belt and shoulder strap so that the restraint system is snug against your child.
Please refer to the next section for instructions to tighten the waist belts.



TIGHTEN



LOOSEN

3

To tighten the waist belts and shoulder straps:

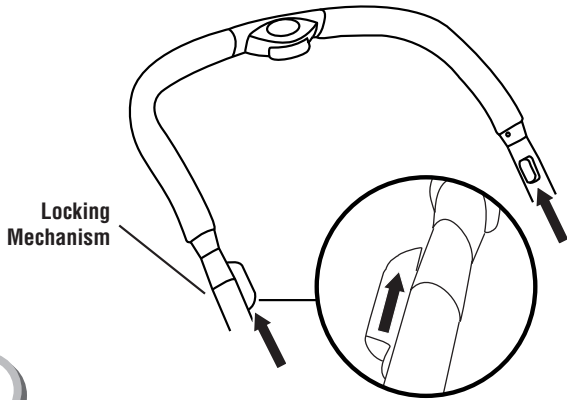
- Feed the anchored end of a waist belt up through the buckle to form a loop **A**. Pull the free end of the waist belt **B**.
- Repeat this procedure to tighten the other waist belt.
- Feed the top end of the shoulder strap through the plastic stay to form a loop **C**. Pull the bottom end down to tighten the strap **D**.
- Repeat this procedure to tighten the other shoulder strap.

To loosen the waist belts and shoulder straps:

- Feed the free end of the waist belt up through the buckle to form a loop **A**. Enlarge the loop by pulling on the end of the loop toward the buckle. Pull the anchored end of the waist belt to shorten the free end of the waist belt **B**.
- Repeat this procedure to loosen the other waist belt.
- Feed the bottom end of the shoulder strap through the plastic stay to form a loop **C**. Pull the top end up to loosen the strap **D**.
- Repeat this procedure to loosen the other shoulder strap.

Please note: After adjusting the restraint system to fit your child, make sure you pull on it to be sure it is securely fastened.

Folding the Stroller

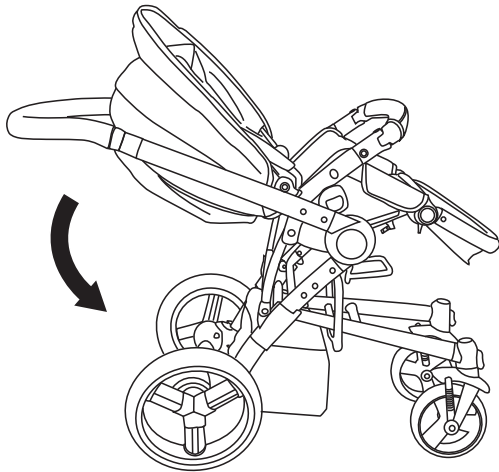


1

To Fold the Stroller

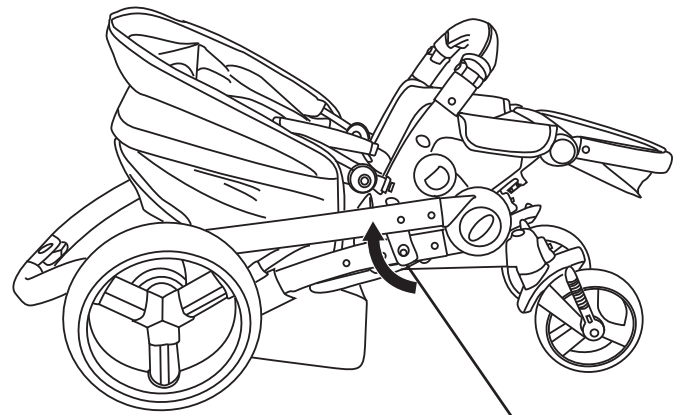
- Unlock locking mechanism on both sides of the handle bar by pulling the levers upwards and pressing down the handle at the same time to fold.

NOTE: It is recommended that the backrest is in the upright position and canopy is in the folded position before folding the stroller.



2

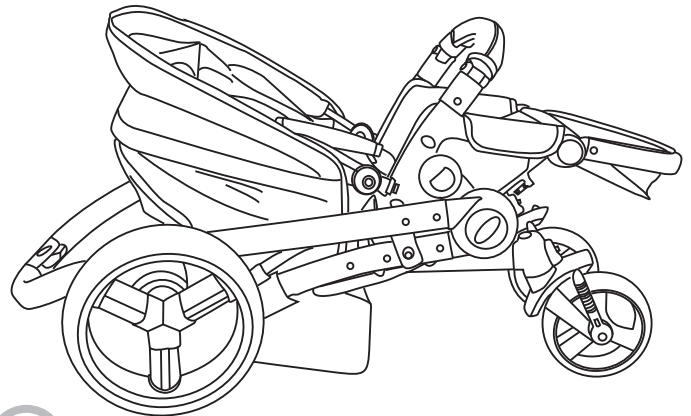
- Press down on handle until the stroller is fully folded position.



3

Folding Latch

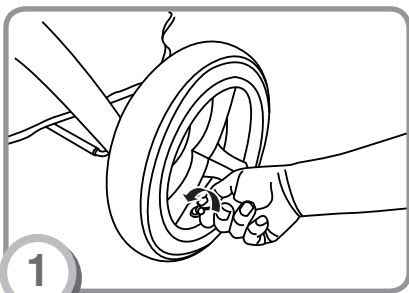
- Ensure the folding latch is locked.



4

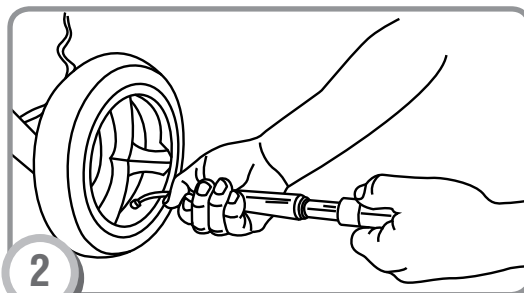
- Your stroller is fully folded into compact size for easy storage and travel.

Air Pump (On Some Models)



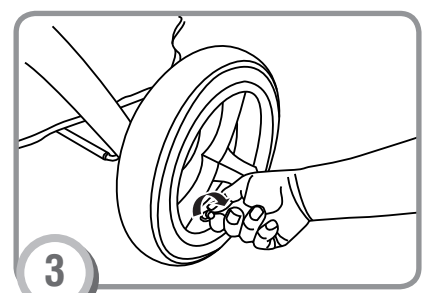
1

- Remove the valve stem cap from the valve.



2

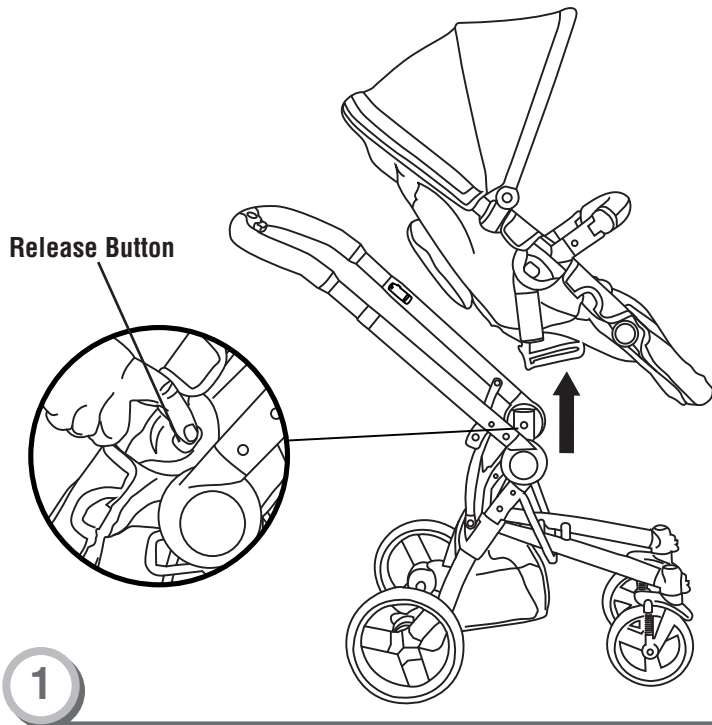
- Press the air tube end onto the valve.
- Once the air tube end is properly inserted onto the valve, use two hands to pump the desired amount of air into the tire.



3

- Replace the valve stem cap onto the valve.

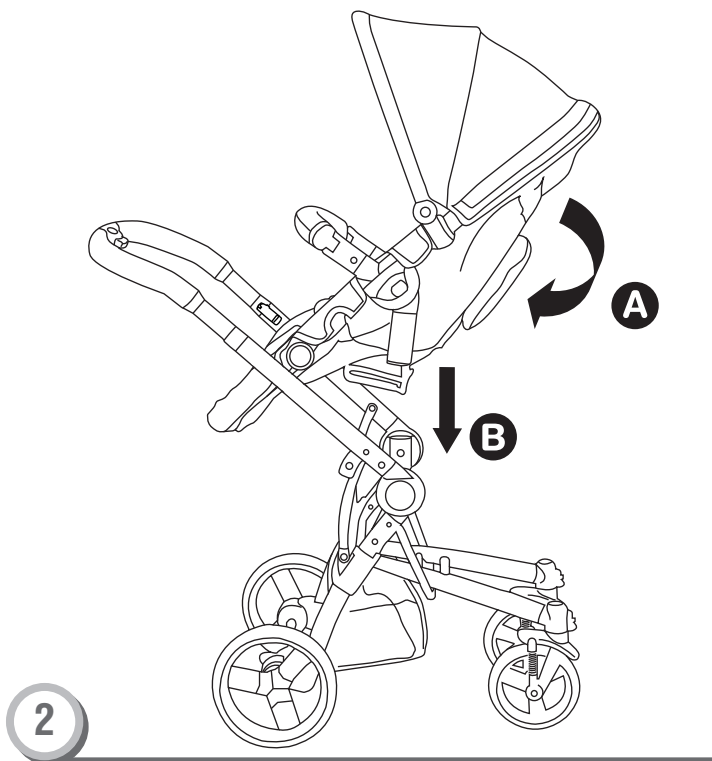
To Revers the Seat



To Reverse the Seat

- Press the seat release buttons on both sides of the stroller and lift the seat up until it totally releases from the frame.

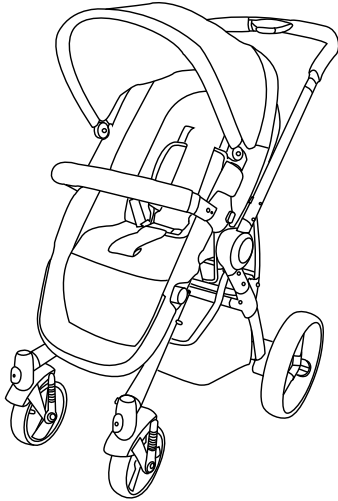
- Pull up the seat to make sure it is properly sit in a locked position.



- **A** Turn the seat to reverse position and align the seat and frame holes.
- **B** Insert the seat into frame holes until it "clicks" into the locked position.

Converting Stroller into Buggy

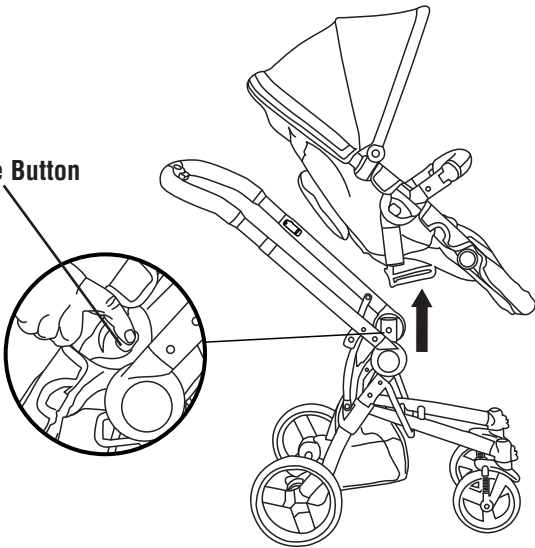
1



• Please locate your fully assembled stroller.

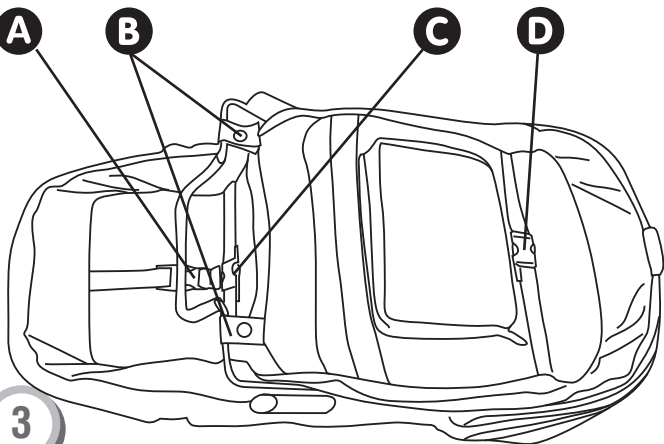
2

Release Button



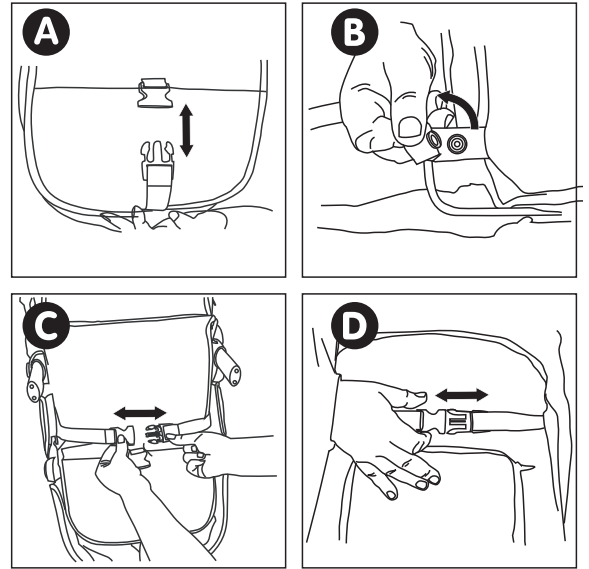
• Press the seat release buttons on both sides of the stroller and lift the seat up until it totally releases from the frame.

3



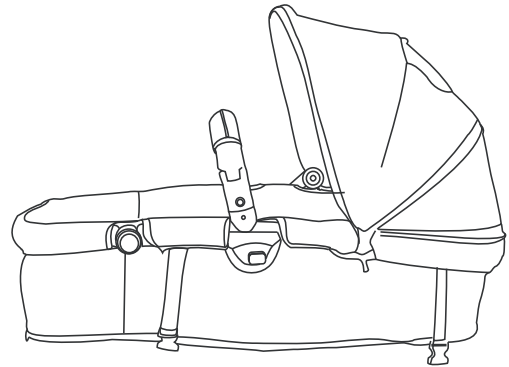
• Flip the seat upside down and locate seat support clips **A**, **B**, **C**, and **D** as illustrated above.

4



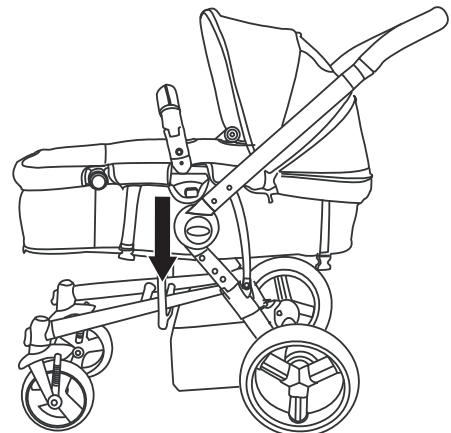
- **A** Release the foot rest support clip.
- **B** Release the seat support snap. Repeat for other side.
- **C** Release the seat bottom support clip.
- **D** Release the seat back support clip.

5



• Push the seat bottom flat down to convert it into a buggy.

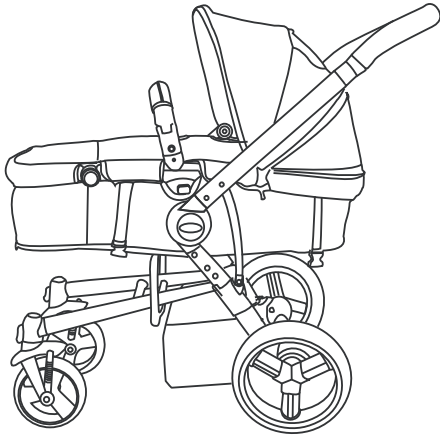
6



• Insert the buggy into frame holes until it “clicks” into the locked position. The stroller is completely turned into a buggy.

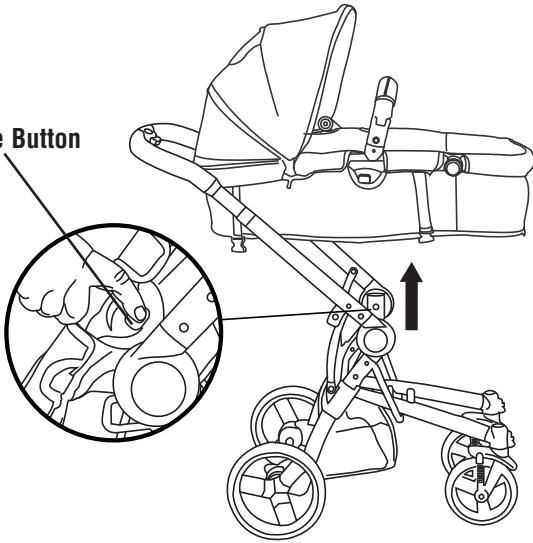
Converting Buggy into Stroller

1



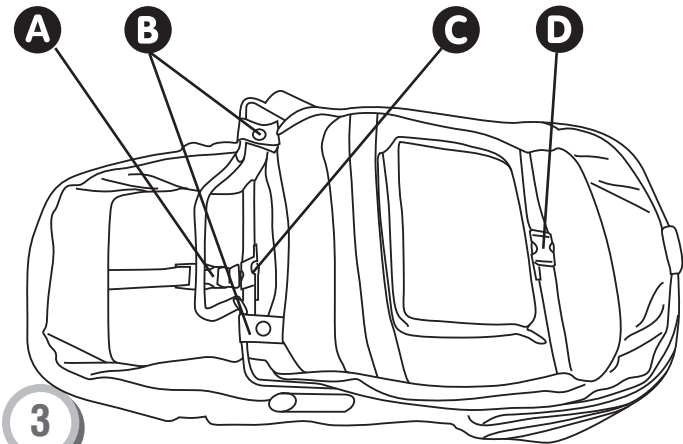
- Please locate your fully assembled buggy.

Release Button



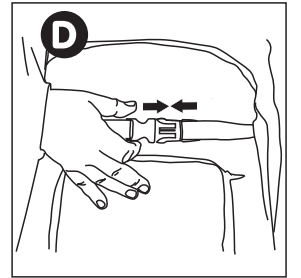
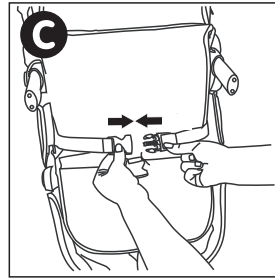
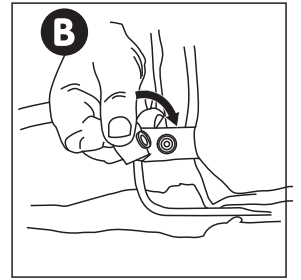
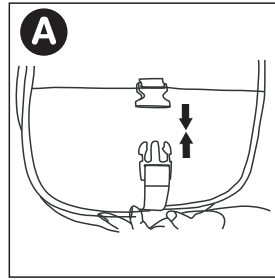
2

- Press the buggy release buttons on both sides of the stroller and lift the buggy up until it totally releases from the frame.



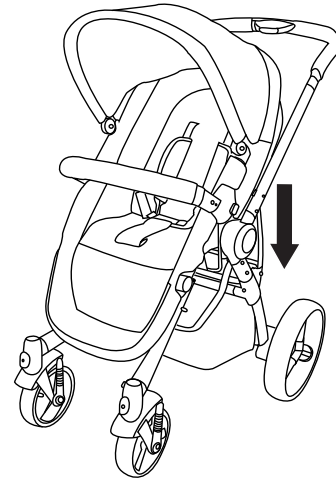
3

- Flip the buggy upside down and locate seat support clips **A**, **B**, **C**, and **D** as illustrated above.



4

- **A** Secure the foot rest support clip.
- **B** Secure the seat support snap. Repeat for other side.
- **C** Secure the seat bottom support clip.
- **D** Secure the seat back support clip.



5

- Insert the seat into frame holes until it “clicks” into the locked position. The buggy is completely turned into a stroller.

Manufactured for and distributed by:



114 West 26th Street, New York, NY 10001



Customer Service

Tel. 1-(800)-218-2741

www.SimmonsKidsProducts.com

customerservice@SimmonsKidsProducts.com

MADE IN CHINA