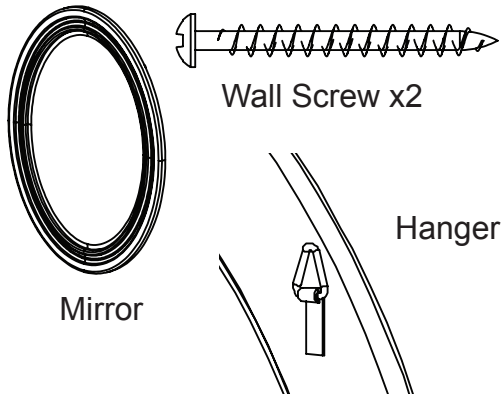
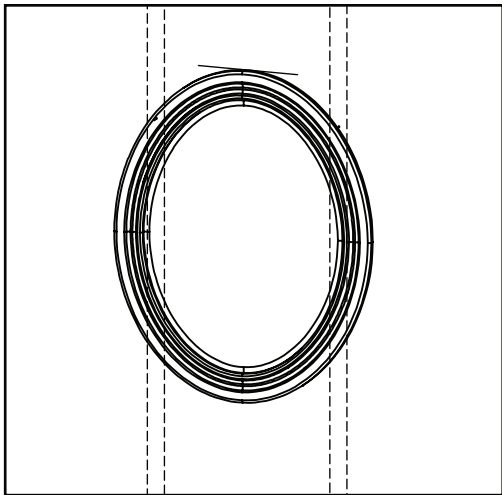


READ ALL INSTRUCTIONS BEFORE ASSEMBLY AND USE.
KEEP INSTRUCTIONS FOR FUTURE USE.
⚠ADULT ASSEMBLY REQUIRED DUE TO THE PRESENCE OF SMALL PARTS DURING ASSEMBLY, KEEP OUT OF REACH OF CHILDREN UNTIL ASSEMBLY IS COMPLETE.

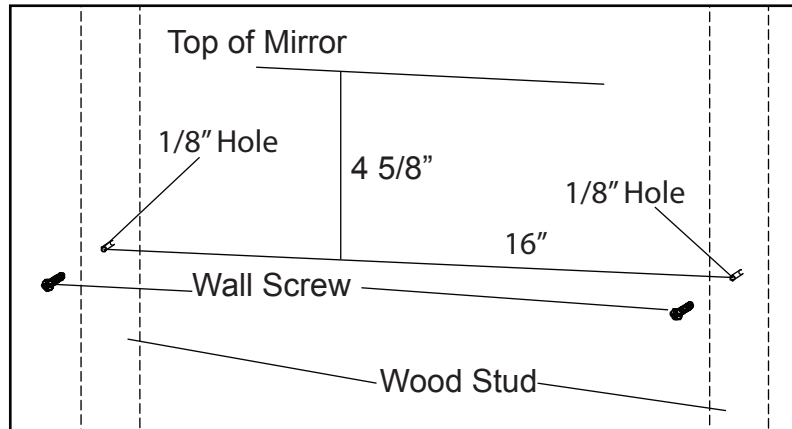


⚠ CAUTION

The screws must be attached to a wood wall stud. The hanger on the back of the mirror are spaced 16" apart. If your wall is not wood stud construction with 16" centers, see your local hardware store or home center for a wall anchor system that will hold a force of 50 LBS in your wall type. If you are unsure of how to locate the wood stud, or of what type of wall you have, contact a professional contractor.



Mark the top of the mirror on the wall. Ensure Mirror is centered between studs, see Caution Above



Mark the location to install the screws. Each screw should be centered on a wood stud, see caution above. The holes should be 4 5/8" (118mm) below the mark for the top. Pre-drill each hole using a 1/8" drill bit (not included). Install the screws so that the hanger will fit over the head of the screw (approximately 3/16" (4mm) from wall).

