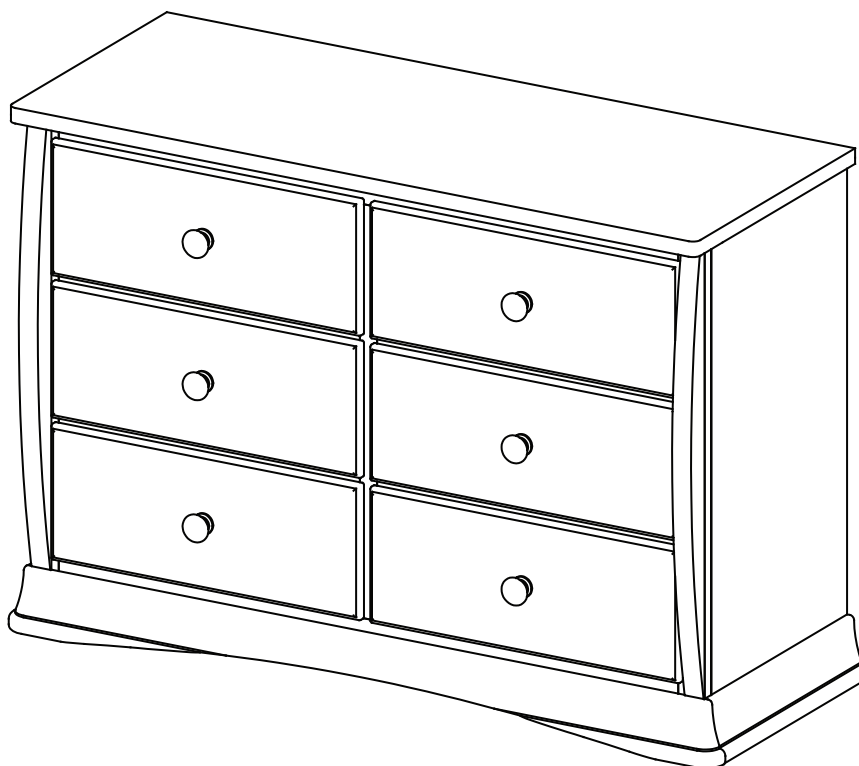


# Delta™

Children's Products

READ ALL INSTRUCTIONS BEFORE  
ASSEMBLY AND USE.  
**KEEP INSTRUCTIONS FOR FUTURE USE.**  
⚠️ **ADULT ASSEMBLY REQUIRED**  
DUE TO THE PRESENCE OF SMALL PARTS  
DURING ASSEMBLY, KEEP OUT OF REACH OF  
CHILDREN UNTIL ASSEMBLY IS COMPLETE.

## BENTLEY 6 DRAWER DRESSER



THIS PRODUCT IS NOT INTENDED FOR INSTITUTIONAL OR COMMERCIAL USE.

STYLE No: 75106-



COLOR



REV



FACTORY

When contacting Delta Consumer Care you  
will need to reference the above number.

Consumer Care:

[www.deltachildrensproducts.com](http://www.deltachildrensproducts.com)

Delta Children's Products  
114 West 26th Street  
New York, NY 10001  
Tele.212-645-9033

To register your product for important safety alerts and updates to your product  
please visit [www.deltachildrensproducts.com](http://www.deltachildrensproducts.com) and click on Product Registration.

## ⚠WARNING:

**Serious or fatal crushing injuries can occur from furniture tip-over. To help prevent tip-over:**

- Place heaviest items in the lowest drawers.
  - Unless specifically designed to accommodate, **do not** set TV's or other heavy objects on the top of this product.
  - Never** allow children to climb or hang on drawers, doors, or shelves.
  - Never** open more than one drawer at a time.
- Use of tip-over restraints may only reduce, but not eliminate, the risk of tip-over.**
- Always monitor your child's activity when in the nursery.
  - Do not** allow standing in drawers.
  - Do not** allow standing on top of this product.
  - Accessory Items must be securely fastened to this product according to the instructions provided with those items.
  - To avoid head injury, do not allow children to play underneath open drawers.
  - Do not leave drawers open when not in use.

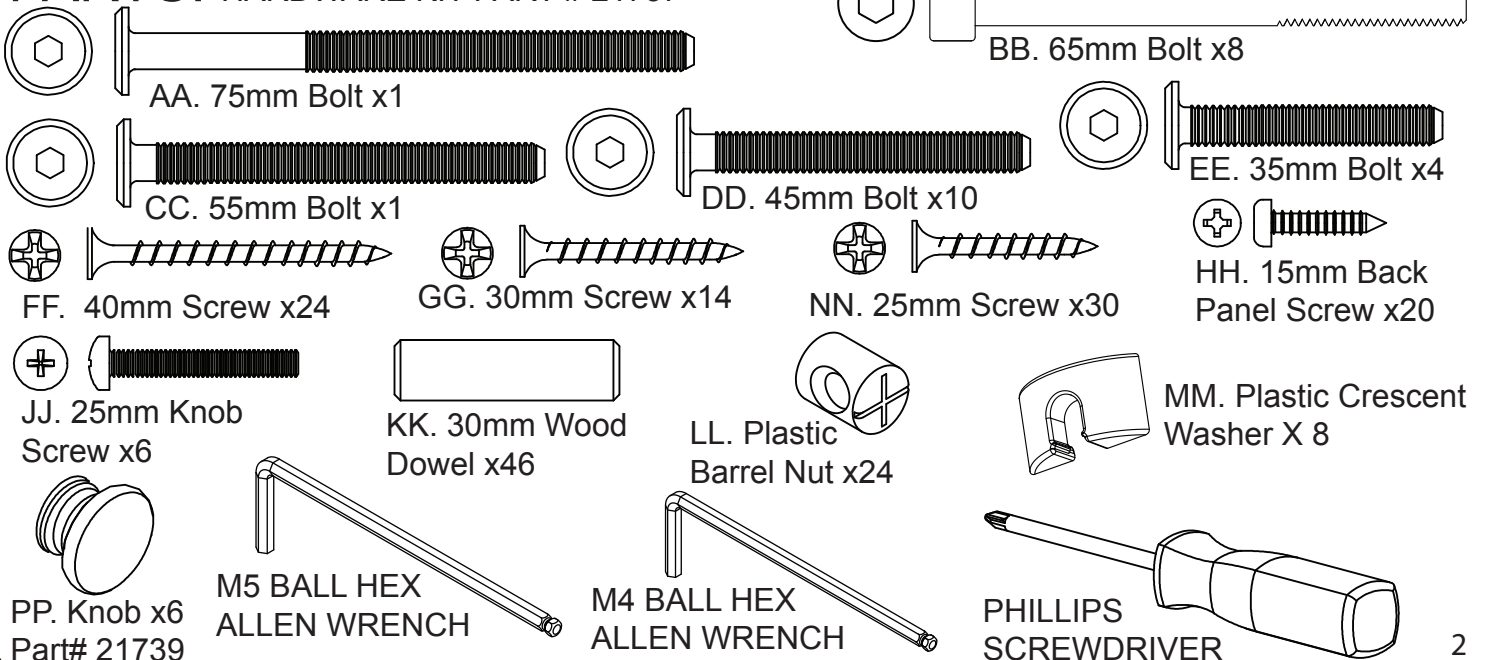
## NOTES ON ASSEMBLY:

- During the assembly process whenever using screws or bolts, check each by placing the screw/bolt on the diagram of the item which is drawn actual size and design. Be sure to use the proper size and shape specified in the instructions.
- To assemble this unit you may be required to place the unit on it's side and face. It is strongly recommended that assembly is done on a soft, non-abrasive surface to avoid damaging the finish.

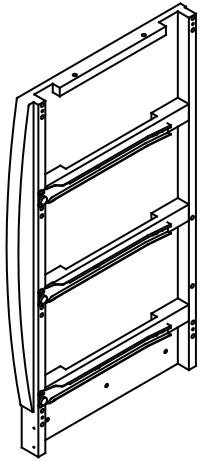
## NOTES ON CARE AND MAINTENANCE:

- **Do not** scratch or chip the finish.
- Inspect the product periodically, contact delta children's products for replacement parts or questions.
- **Do not** store the product or any parts in extreme temperatures and conditions such as a hot attic or a damp, cold basement. These extremes can cause a loss of structural integrity.
- To preserve the luster of the high quality finish on your product, it is recommended to place a doily or felt pad under any items you place on the finish.
- Clean with a damp cloth, then a dry cloth to preserve the original luster and beauty of this fine finish.
- Do not** use abrasive chemicals.
- Do not** spray cleaners directly onto furniture.
- Lift slightly when moving on carpeting to prevent leg breakage.
- Use of a vaporizer near furniture will cause wood to swell and finish to peel.

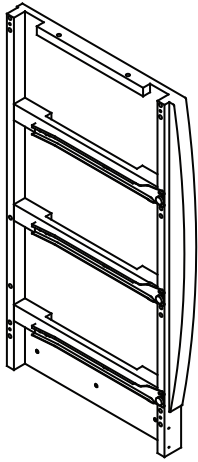
## PARTS: HARDWARE KIT PART # 21737



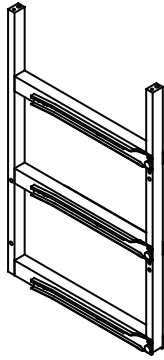
**PARTS:** MAKE SURE THAT ALL PRE-ASSEMBLED PARTS ARE TIGHT.



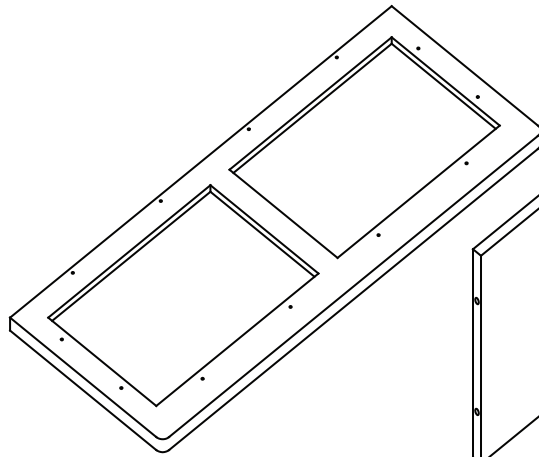
A. Left Side x1  
Part# 21718



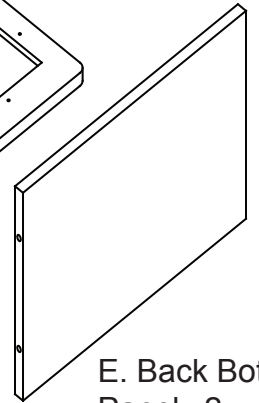
B. Right Side x1  
Part# 21719



C. Divider  
Frame x1  
Part# 21720

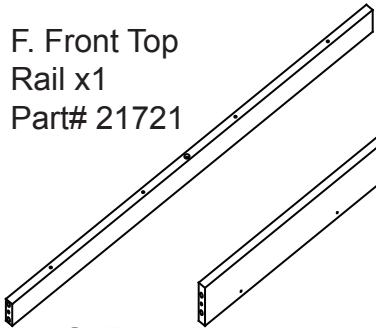


D. Top Panel x1  
Part# 21730

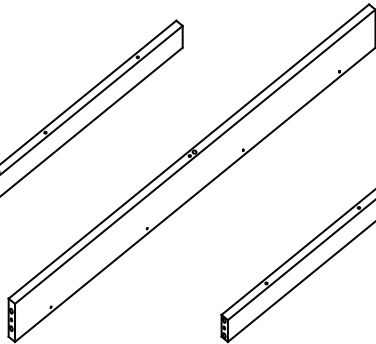


E. Back Bottom  
Panel x2  
Part# 21726

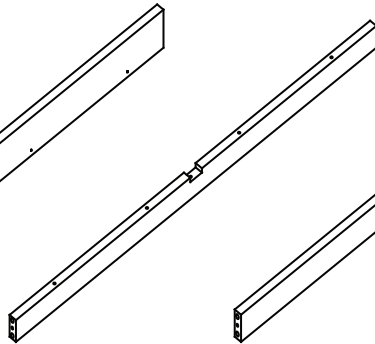
F. Front Top  
Rail x1  
Part# 21721



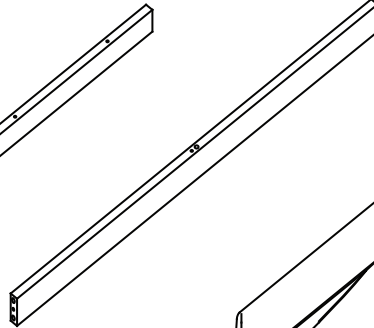
G. Front Bottom  
Rail x1  
Part# 21723



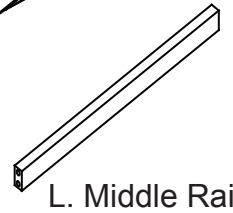
H. Back Top  
Rail x1  
Part# 21722



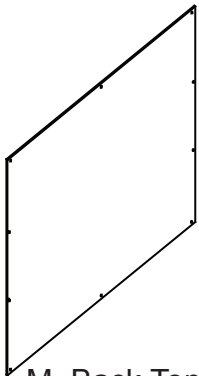
J. Back Bottom  
Rail x1  
Part# 21724



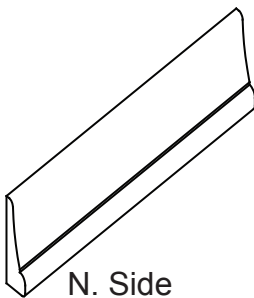
K. Front  
Molding x1  
Part# 21728



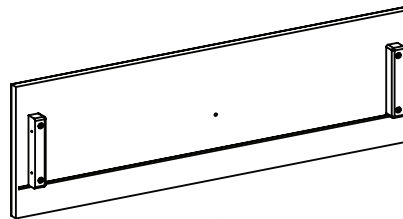
L. Middle Rail x4  
Part# 21725



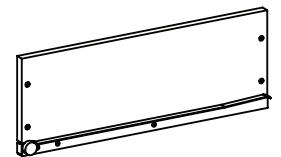
M. Back Top  
Panel x2  
Part# 217327



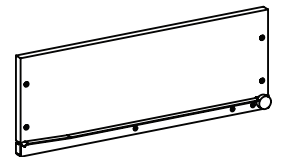
N. Side  
Molding x2  
Part# 21729



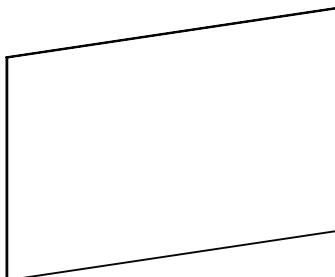
P. Drawer Front x6  
Part# 21736



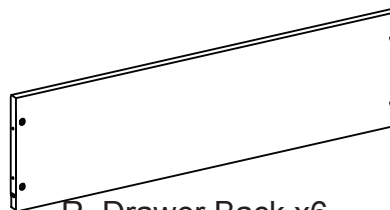
S. Drawer Left Side x6  
Part# 21731



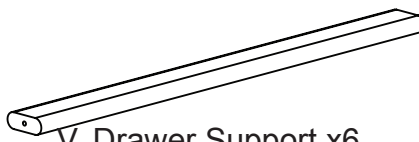
T. Drawer Right Side x6  
Part# 21732



U. Drawer bottom x6  
Part# 21734

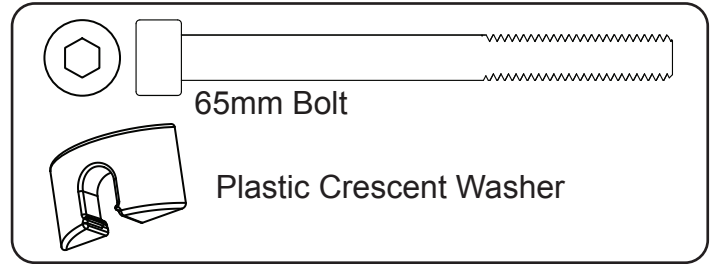
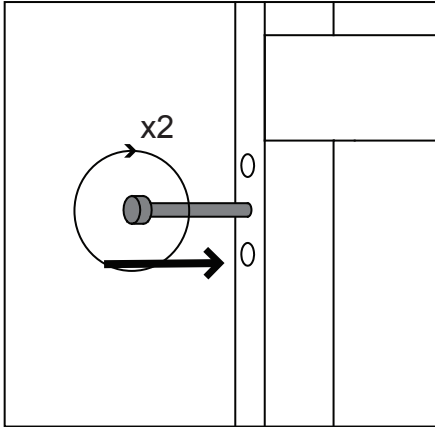


R. Drawer Back x6  
Part# 21733



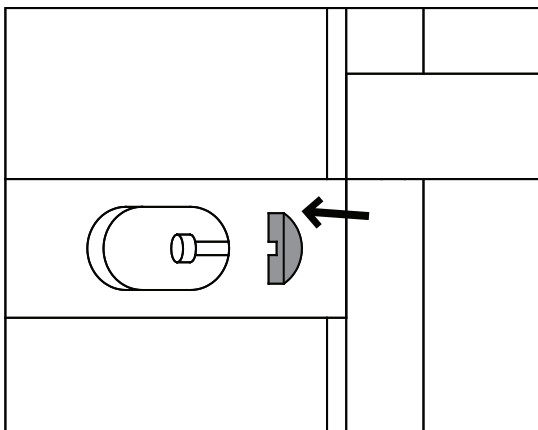
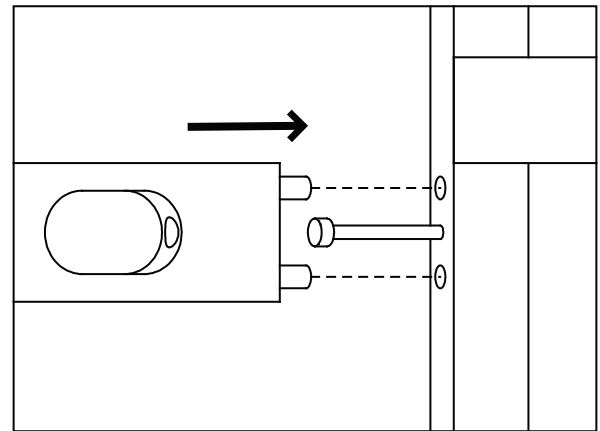
V. Drawer Support x6  
Part# 21735

# HARDWARE SYSTEM - REVIEW BEFORE ASSEMBLY



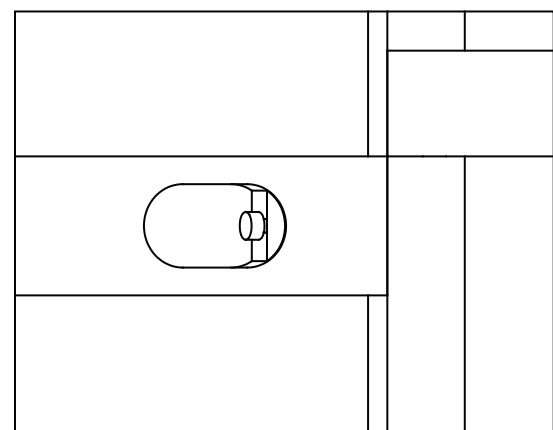
1. Install (1) 65mm Bolt into each threaded insert by turning it **ONLY (2) FULL TURNS**. Install all bolts in one side before continuing.

2. Align the bolt with the hole in the end of the rail, align the dowels in the end of the rail with the holes in the post. Slide together until tight.

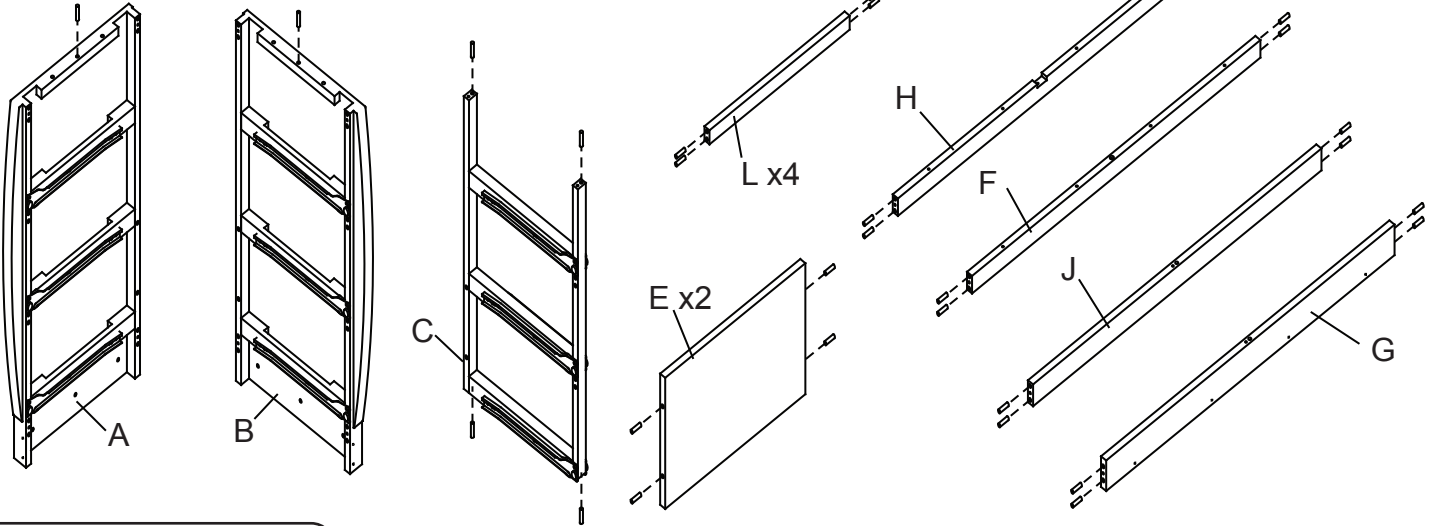


3. Slide the Plastic Crescent Washer over the exposed bolt, behind the head of the bolt. Tighten the bolt with the M5 Allen Wrench provided.

Ensure all bolts are tightened.



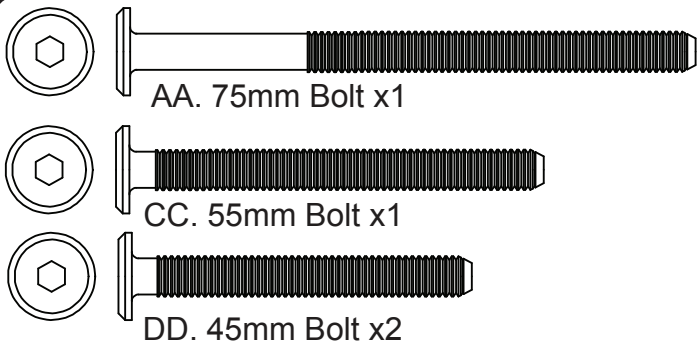
# STEP 1:



KK. WOOD DOWEL  
30mm X46

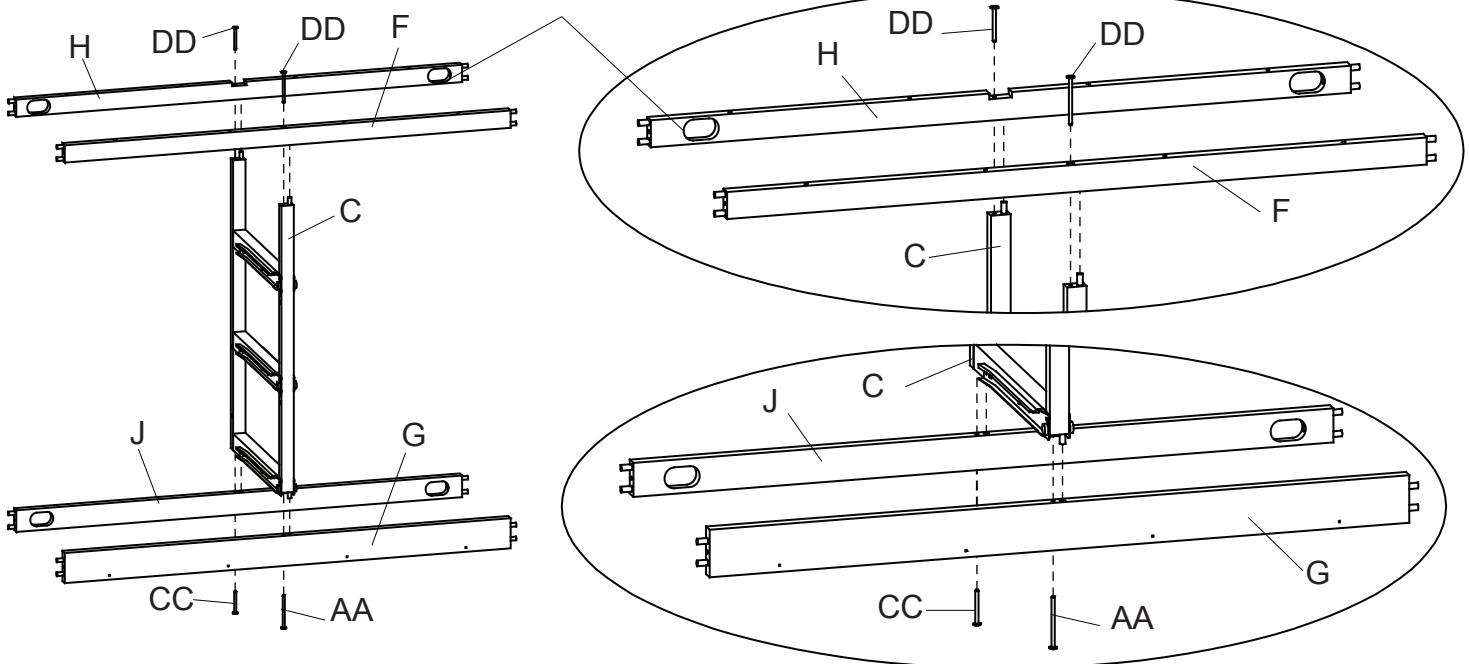
Install (46) 30mm Wood Dowels as shown.

# STEP 2:

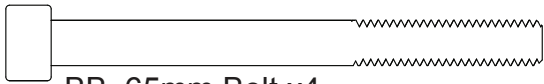


Attach Top Front Rail (Part F) and Attach Top Back Rail (Part H) to the Divider Frame (Part C) using (2) 45mm Bolts (Part DD). Attach Bottom Front Rail (Part G) to the Divider Frame (Part C) using (1) 75mm Bolts (Part AA). Attach Bottom Back Rail (Part J) to the Divider Frame (Part C) using (1) 55mm Bolts (Part CC). Tighten all bolts with the M4 Allen Wrench.

NOTE: Slots face inside



### STEP 3:

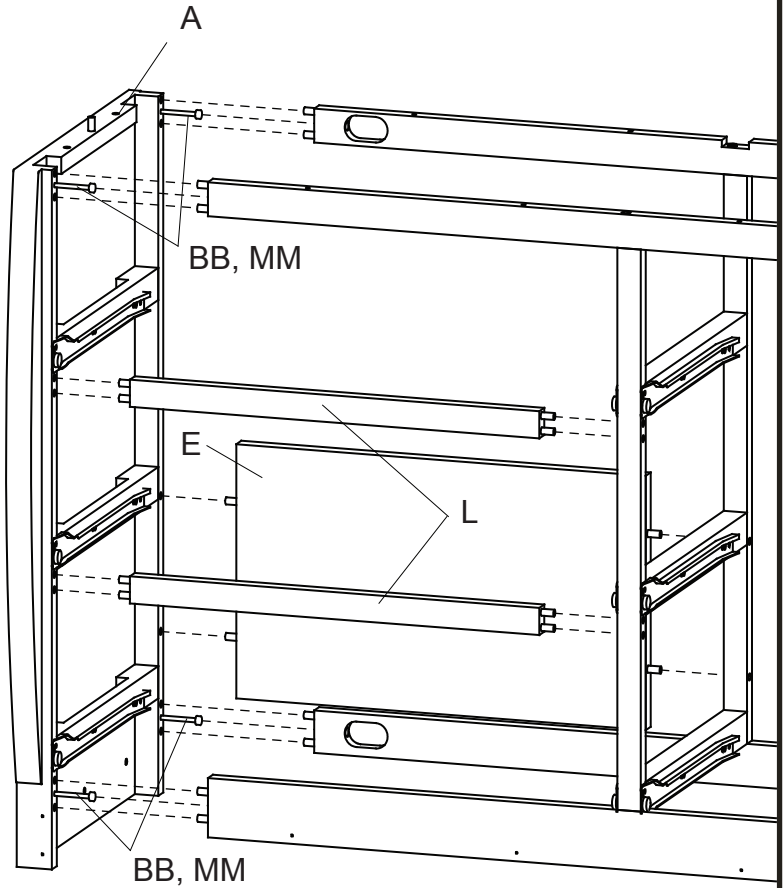


BB. 65mm Bolt x4

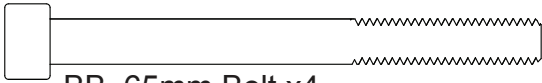


MM. Plastic Crescent Washer X4

Insert the Bottom Back Panel (Part E) and the (2) Middle Front Rails (Part L) into the Divider Frame. Carefully align all of the dowels (check to confirm they are still installed) with the holes in the Left Side (Part A). Attached the Left Side using (4) 65mm Bolts (Part BB) and (4) Plastic Crescent Washers (Part C) following the directions on page 4. Tighten all bolts with the M5 ball Allen Wrench.



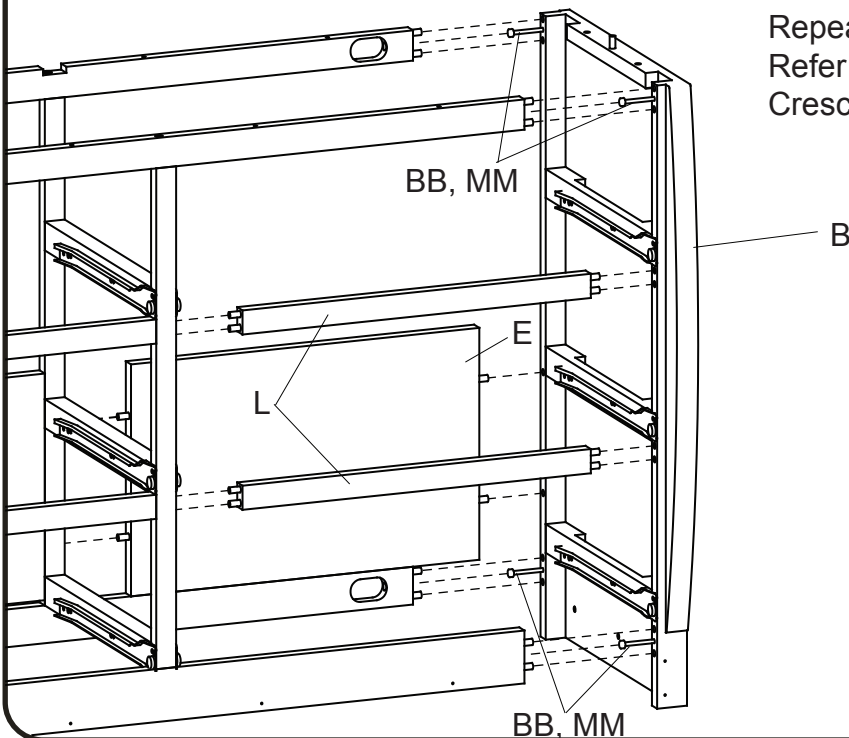
### STEP 4:



BB. 65mm Bolt x4

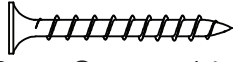


MM. Plastic Crescent Washer X4



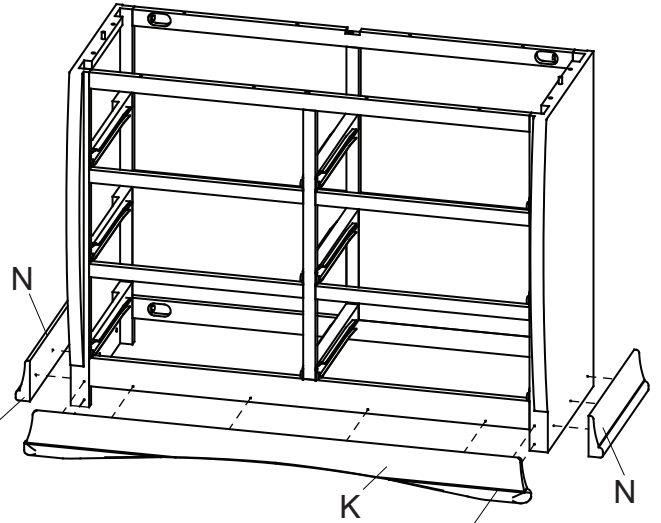
Repeat Step 3 using the Right Side (Part B). Refer to Page 4 to install the 65mm Bolt and Plastic Crescent Washer.

## STEP 5:

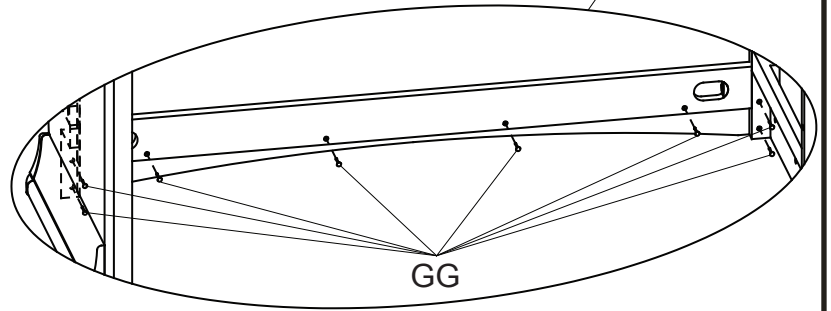
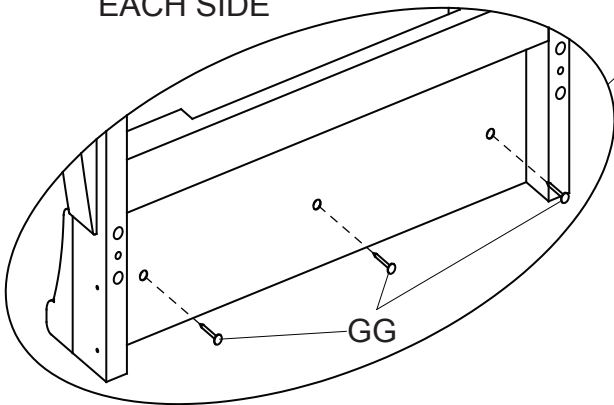


GG. 30mm Screw x14

Attach the Bottom Front Molding (Part K) to the front of the case using (8) 30mm Screws, ensure the screws go into the predrilled holes in the molding. Tighten with a Phillips screwdriver. Next attach the (2) Bottom Side Moldings (Part N) to the case using (3) 30mm screws for each, ensure the screws go into the predrilled holes in the molding.



EACH SIDE



## STEP 6:

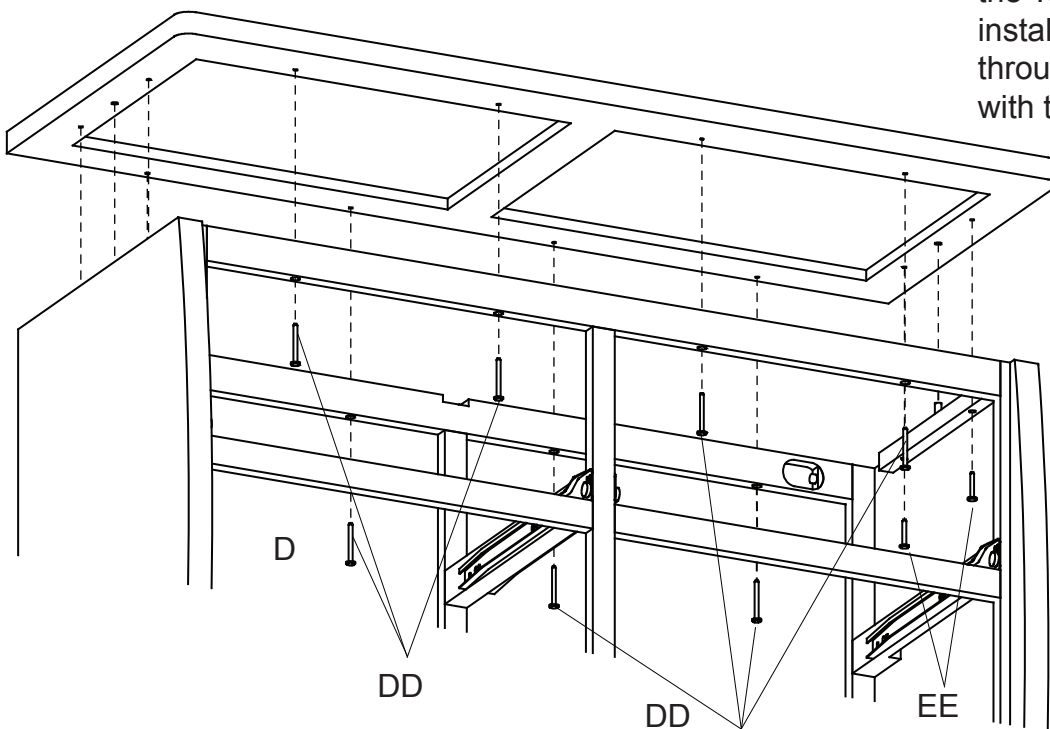


DD. 45mm Bolt x8



EE. 35mm Bolt x4

Attach the Top Panel (Part D) to the case. Ensure (2) Dowels from the side are aligned properly before installing any bolts. Install (8) 45mm bolts (Part DD) through the Top Front and Back Rails, then install (4) 35mm Bolts (Part EE) through the sides. Tighten all bolts with the M4 Allen Wrench.



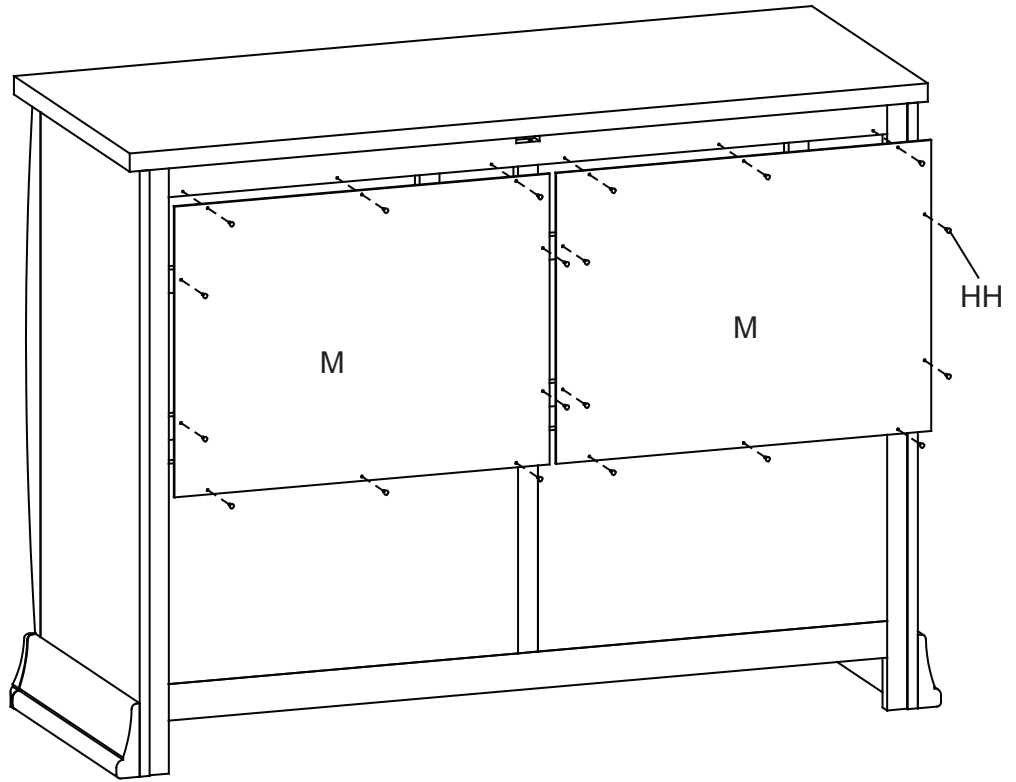


## STEP 7:

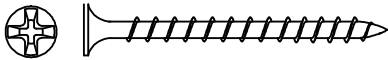


HH. 15 mm Back Panel Screw x20

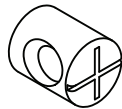
Attach (2) Back Panels (Part M) using (20) Back Panel Screws (Part HH). Tighten with a Phillips Screwdriver.



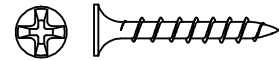
## STEP 8:



FF. 40mm Screw x24

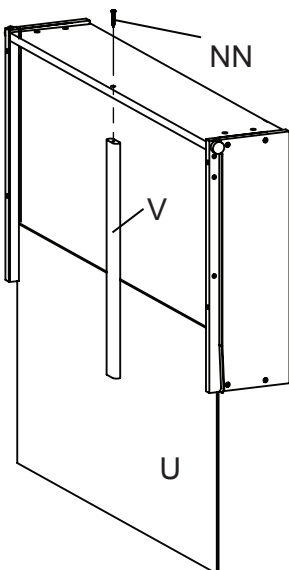
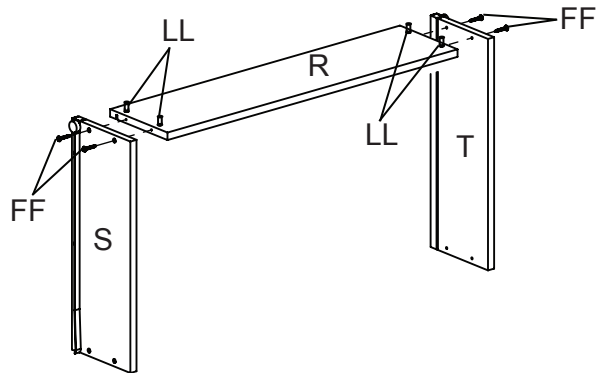


LL. Plastic Barrel Nut x24

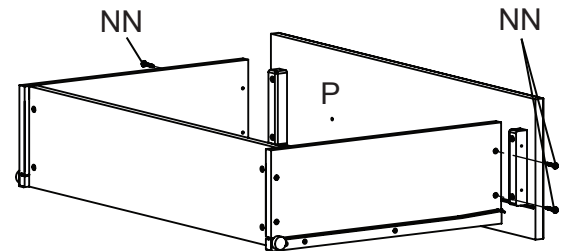


NN. 25mm Screw x30

1. Attach the Right and Left Drawer Sides (Parts S and T) to the Drawer Back (Part RR) with (4) 40mm Screws (Part FF) and (4) Plastic Barrel Nuts (Part LL). Note: grooves in bottom must align. Tighten with Phillips Screwdriver.



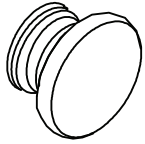
2. Slide drawer bottom (part u) into the grooves. Install the Drawer Support (Part V) using (1) 25mm Screw (Part NN). Tighten with the Phillips Screwdriver.



3. Attach the Drawer Front (Part P). Using (4) 25mm Screws (Part NN). Be sure the bottom panel is in the groove. Tighten with the Phillips Screwdriver.



## STEP 8: continued

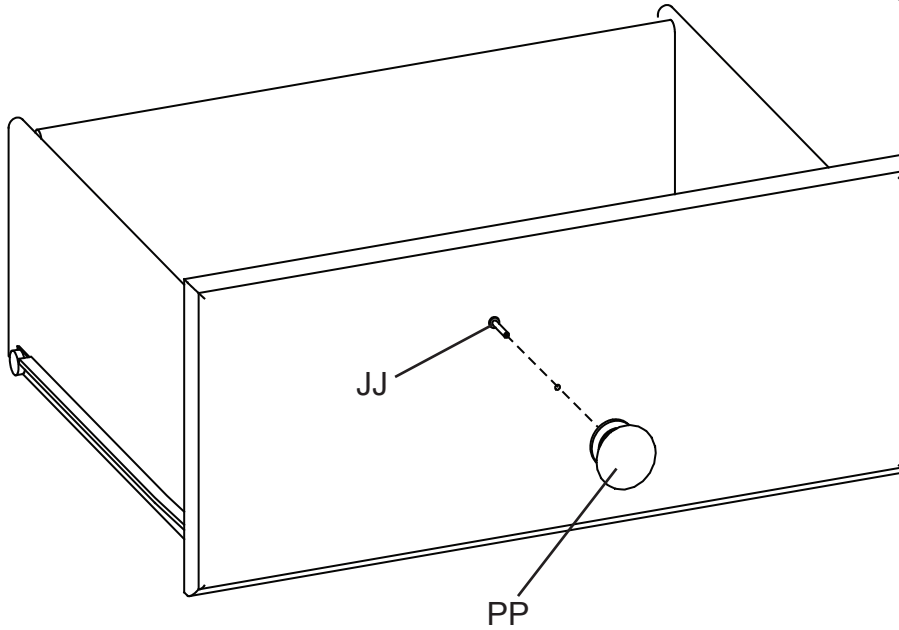


PP. Knob x6

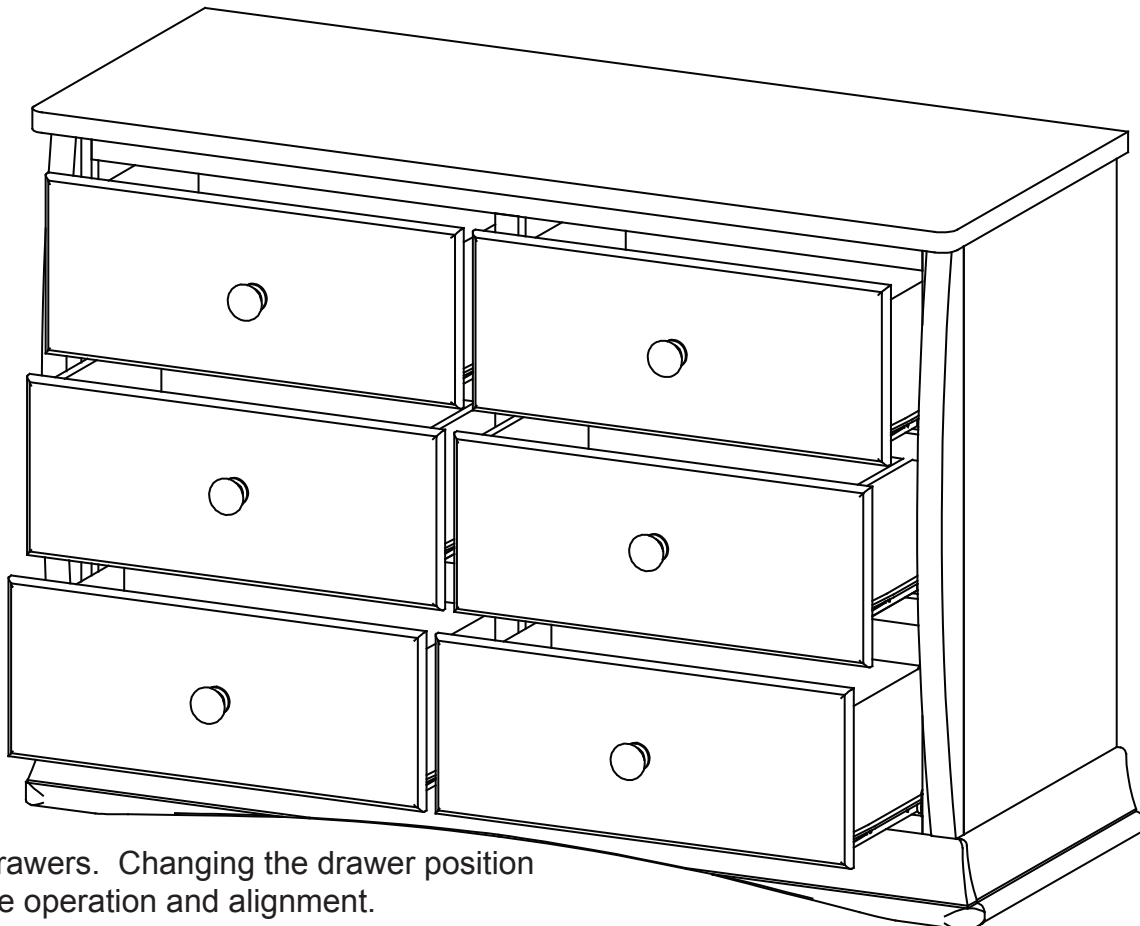


JJ. 25mm Knob  
Screw x6

Attach (1) Knob (Part PP) with (1) Knob Screw (Part JJ). Tighten with the Phillips Screwdriver.



**X6**



Install the drawers. Changing the drawer position may improve operation and alignment.  
Install Tip-over restraint, see instructions with kit.



## Children's Products

Consumer Care:

[www.deltachildrensproducts.com](http://www.deltachildrensproducts.com)

Delta Children's Products

114 West 26th Street

New York, NY 10001

Tele.212-645-9033

**Warranty:** This Delta Case is warranted to be free from defects for a period of 90 days from the date of purchase under normal use. This warranty extends only to the original retail purchaser and is valid only when supplied with proof of purchase, or if received as a gift, when the registration is on file with Delta.

Please visit [www.deltachildrensproducts.com](http://www.deltachildrensproducts.com) and click on Product Registration to register your product for important safety alerts and updates.

For questions or comments, please log on to [www.deltachildrensproducts.com](http://www.deltachildrensproducts.com) and click Consumer Care, or contact us by phone at (212) 645-9033.

In the event that you need to contact our Consumer Care department please have the Style Number and Lot Number available. If they are not printed below they can be found on the label on the Back panel.

Use the space below to make note of those numbers.

STYLE No: 75106-

COLOR

REV

FACTORY

Lot No. : \_\_\_\_\_

Pack Date: \_\_\_\_\_

Date of Purchase: \_\_\_\_\_ (you should also keep your receipt)