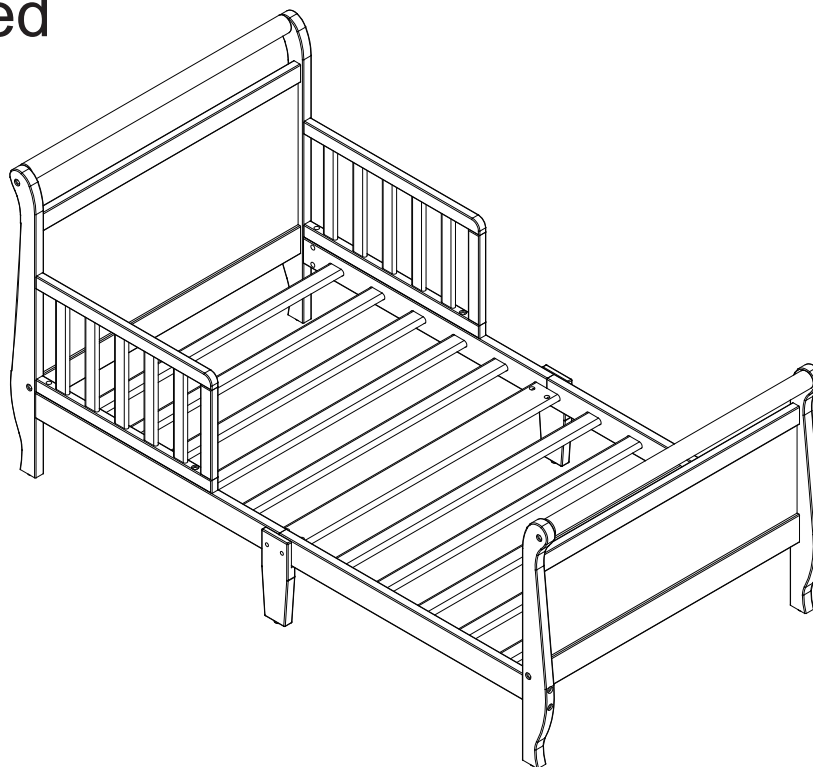


# Delta™

Children's Products

## Toddler Bed



Read all instructions before assembly and use.  
**KEEP INSTRUCTIONS FOR FUTURE USE.**

**⚠ ADULT ASSEMBLY REQUIRED**

Due to the presence of small parts during assembly, keep out of reach of children until assembly is complete.

**THIS PRODUCT IS NOT INTENDED FOR INSTITUTIONAL OR COMMERCIAL USE.**

Consumer Care:

[www.DeltaChildren.com](http://www.DeltaChildren.com)

Delta Children's Products

114 West 26th Street

New York, NY 10001

Tele.212-645-9033

Style #: \_\_\_\_\_

Lot: \_\_\_\_\_

Date: \_\_\_\_\_



When contacting Delta Consumer Care you will need to reference the above numbers. They can also be found on the label on the Headboard bottom rail.

To register your product for important safety alerts and updates to your product please visit [www.DeltaChildren.com](http://www.DeltaChildren.com) and click on Product Registration.

# TODDLER BED

## **⚠️WARNING**

### **INFANTS HAVE DIED IN TODDLER BEDS FROM ENTRAPMENT.**

Openings in and between bed parts can entrap head and neck of a small child.  
NEVER use bed with children younger than 15 months.  
ALWAYS follow assembly instructions.  
The maximum user weight is 50lbs (22.7kg)

## **⚠️WARNING**

### **STRANGULATION HAZARD**

NEVER place bed near windows where cords from blinds or drapes may strangle a child.  
NEVER suspend strings over a bed.  
NEVER place items with a string, cord, or ribbon, such as hood strings or pacifier cords, around a child's neck. These items may catch on bed parts.

## **⚠️CAUTION**

### **ENTRAPMENT HAZARD**

To avoid dangerous gaps, any mattress used in this bed shall be a full-size crib mattress at least 51 5/8 in (1310mm) in length, 27 1/4 in (690mm) in width and 4 in (100mm) in thickness. The mattress thickness must not exceed 5 3/4" (146mm).

### **NOTES ON ASSEMBLY:**

- During the assembly process whenever using screws or bolts, check each by placing the screw/bolt on the diagram of the item which is drawn actual size and design. Be sure to use the proper size and shape specified in the instructions.
- To assemble this unit you may be required to place the unit on it's side and face. It is strongly recommended that assembly is done on a soft, non-abrasive surface to avoid damaging the finish.

### **NOTES ON USE:**

Keep children and others safe by following these simple rules:

- **Do not** allow any child to play on furniture
- **Do not** allow climbing on any piece of furniture.
- **Do not** allow hanging from any piece of furniture.
- Always monitor your child's activity when in the nursery.

### **NOTES ON CARE AND MAINTENANCE:**

- **Do not** scratch or chip the finish.
- Inspect the product periodically, contact Delta Children's Products for replacement parts or questions.
- **Do not** store the product or any parts in extreme temperatures and conditions such as a hot attic or a damp, cold basement. These extremes can cause a loss of structural integrity.
- To preserve the luster of the high quality finish on your product, it is recommended to place a doily or felt pad under any items you place on the finish.
- Clean with a damp cloth, then a dry cloth to preserve the original luster and beauty of this fine finish.
- Do not** use abrasive chemicals.
- Do not** spray cleaners directly onto furniture.
- Lift slightly when moving on carpeting to prevent leg breakage.
- Use of a vaporizer near furniture will cause wood to swell and finish to peel.

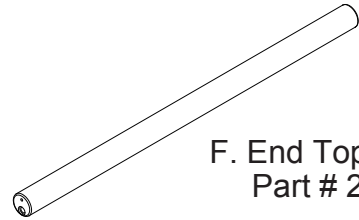
# PARTS: MAKE SURE THAT ALL PRE-ASSEMBLED PARTS ARE TIGHT.



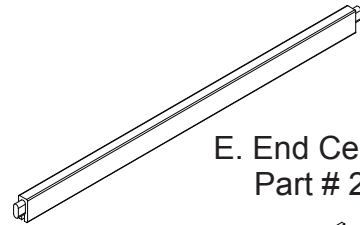
A. Headboard Left Post x 1  
Part # 23113



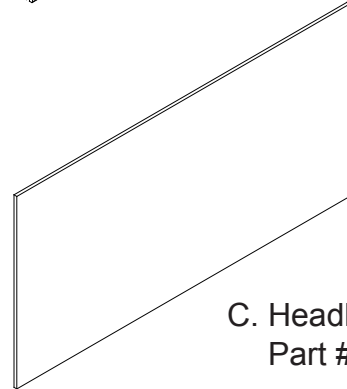
B. Headboard Right Post x 1  
Part # 23114



F. End Top Rail x 2  
Part # 23118



E. End Center Rail x 2  
Part # 23117



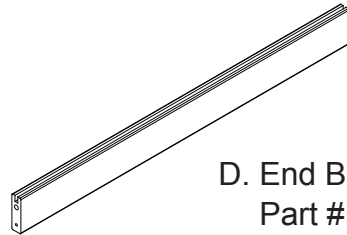
C. Headboard Panel x 1  
Part # 23115



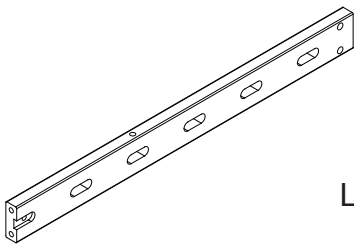
G. Footboard Left Post x 1  
Part # 23119



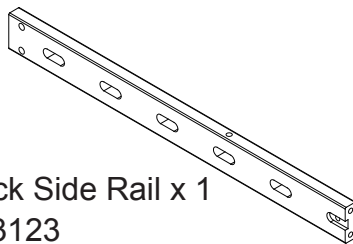
H. Footboard Right Post x 1  
Part # 23120



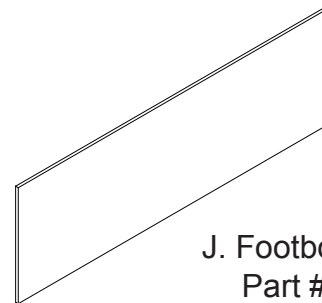
D. End Bottom Rail x 2  
Part # 23116



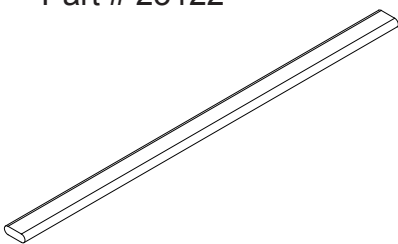
K. Left Back Side Rail x 1  
Part # 23122



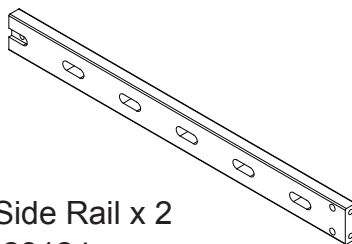
L. Right Back Side Rail x 1  
Part # 23123



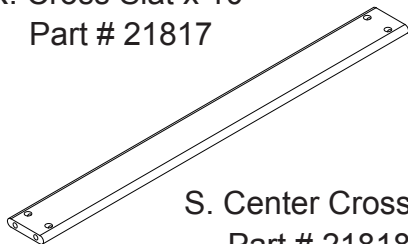
J. Footboard Panel x 1  
Part # 23121



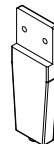
R. Cross Slat x 10  
Part # 21817



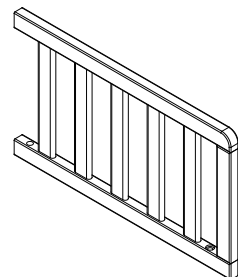
M. Front Side Rail x 2  
Part # 23124



S. Center Cross Slat x 1  
Part # 21818

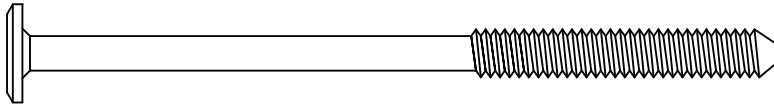
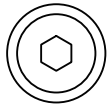


P. Center Leg x 2  
Part # 23126

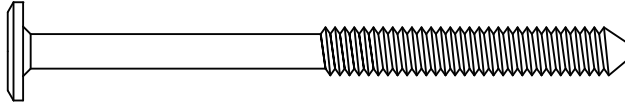
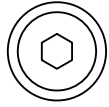


N. Guard Rail x 2  
Part # 23125

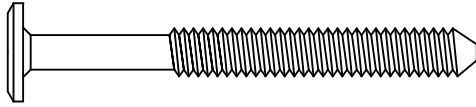
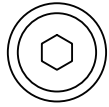
**PARTS:** HARDWARE KIT IS PART # 23128 FOR COLOR 607.  
SEE FRONT COVER.



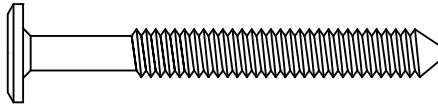
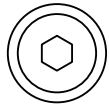
T. 1/4" x 100 mm Bolt x 10  
Part # 5662



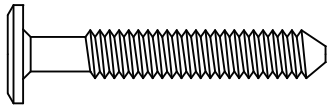
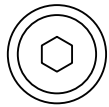
U. 1/4" x 80 mm Bolt x 2  
Part # 5661



V. 1/4" x 60mm Bolt x 4  
Part # 5649



W. 1/4" x 55 mm Bolt x 4  
Part # 5688



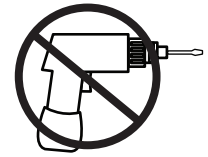
X. 1/4" x 40 mm Bolt x 6  
Part # 5650



Z.  $\Phi$ 4x30 mm Metal Pin x 8  
Part # 5493



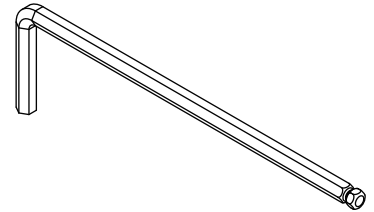
AA.  $\Phi$ 8x40 mm Wood Dowel x 4  
Part # 5672



No drills necessary. Do not use power screwdriver.



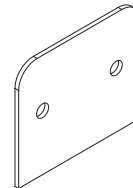
Flat Head Screwdriver  
(not supplied)



M4 Allen Wrench Supplied  
Part # 1177



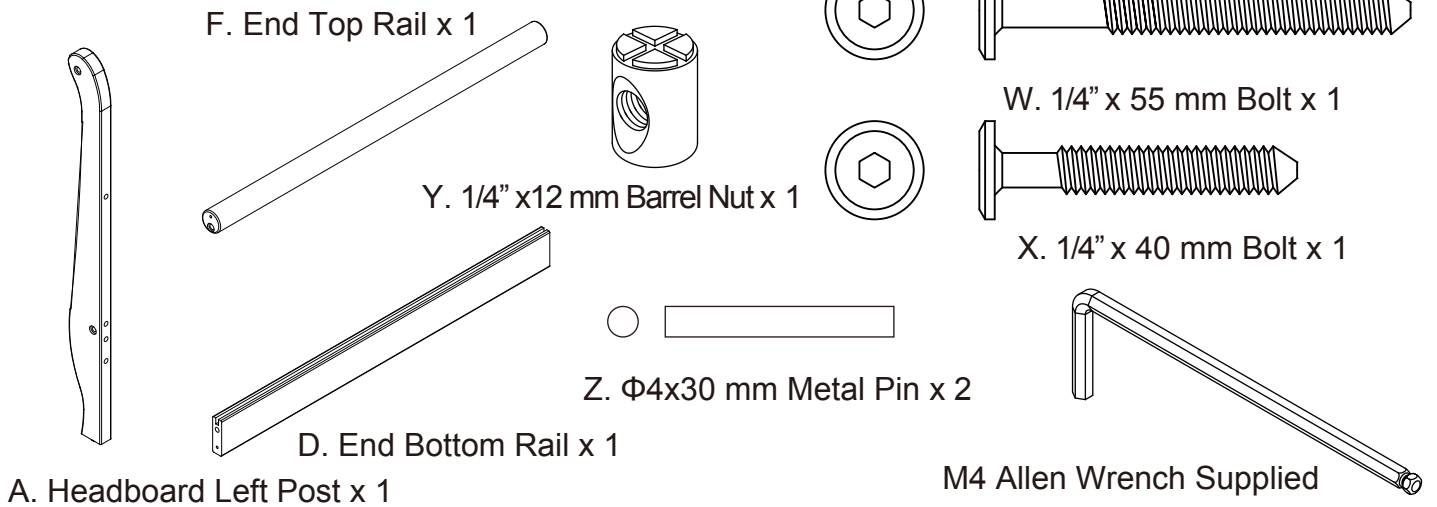
Y. 1/4" x 12 mm Barrel Nut x 20  
Part # 5591



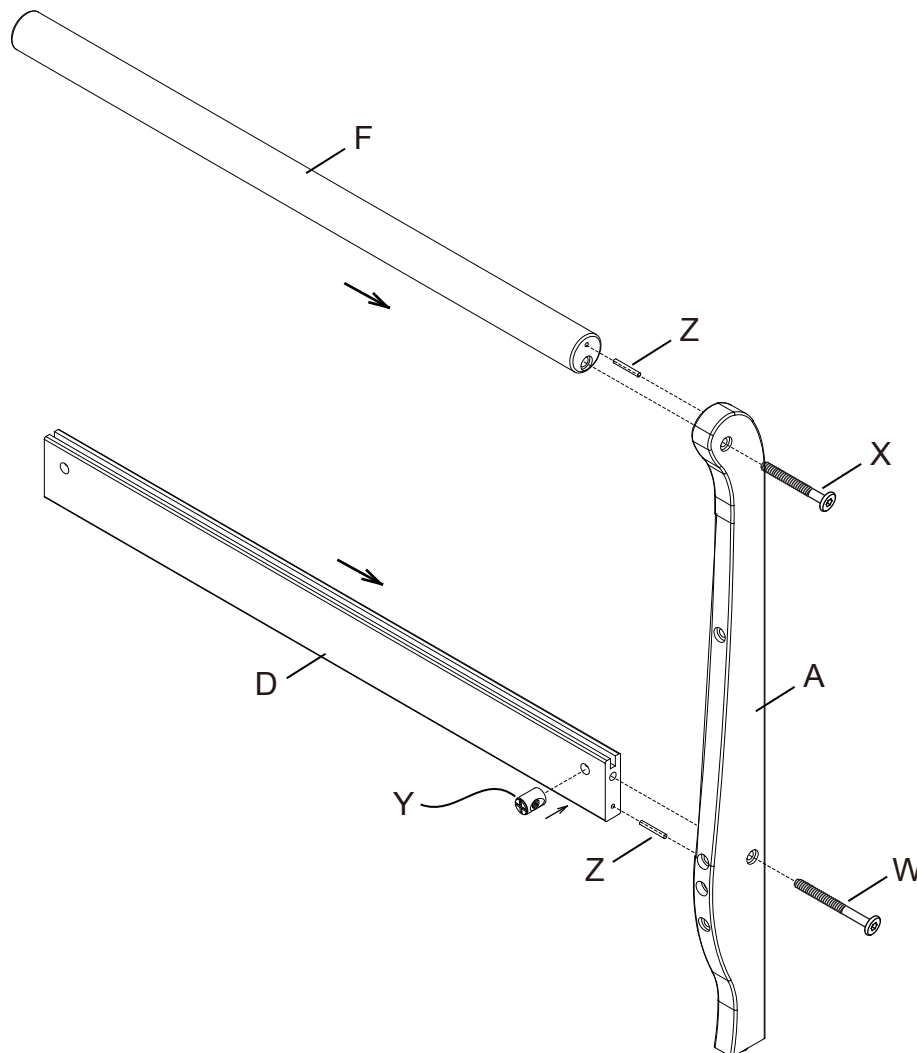
BB. Mending Plate x 2  
Part # 5673

# Step 1

## PARTS AND TOOLS REQUIRED TO COMPLETE STEP

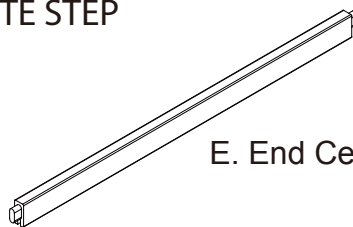
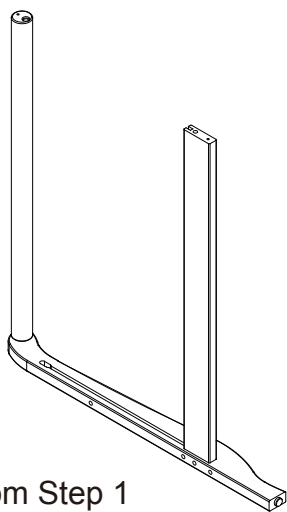


Attach (1) End Bottom Rail (Part D) and (1) End Top Rail (Part F) to (1) Headboard Left Post (Part A) using (2)  $\Phi$ 4x30 mm Metal Pins (Part Z), (1) 1/4"x40 mm Bolt (Part X), (1) 1/4"x55 mm Bolt (Part W) and (1) 1/4"x12 mm Barrel Nut (Part R). Tighten with the M4 Allen Wrench. Use the Flat Head Screwdriver to hold the Barrel Nut in the proper alignment.

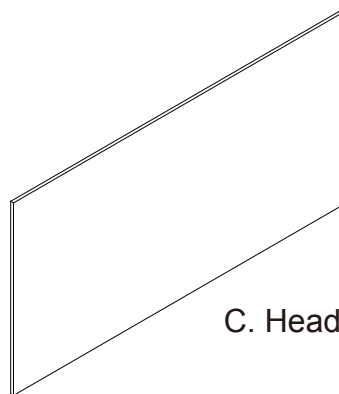


## Step 2

### PARTS AND TOOLS REQUIRED TO COMPLETE STEP

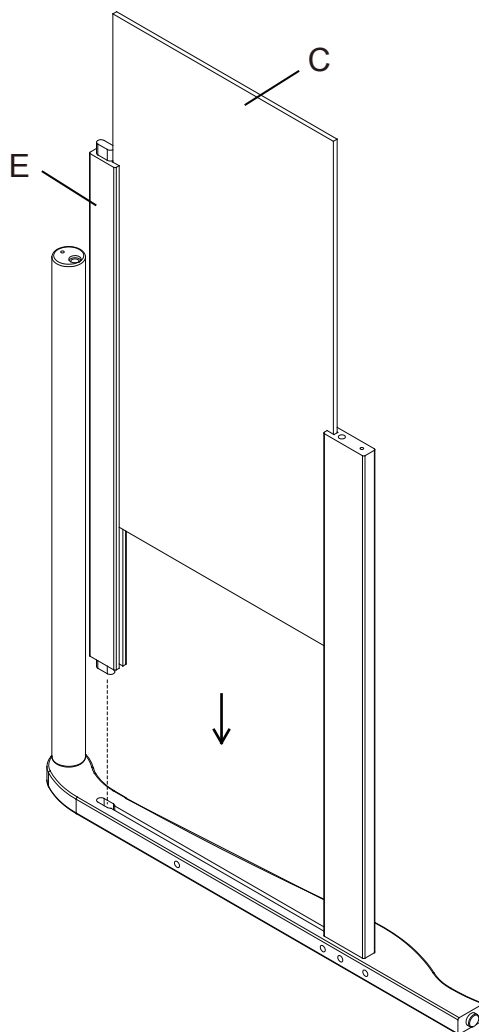


E. End Center Rail x 1



C. Headboard Panel x 1

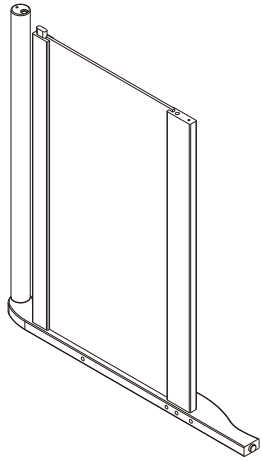
Lay the Headboard Left Post on the floor and loosely insert (1) End Center Rail (Part E) as shown. Slide the Headboard Panel (Part C) in the grooves on the End Center Rail and End Bottom Rail, into the groove on the Headboard Left Post as shown.



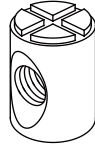
# Step 3

## PARTS AND TOOLS REQUIRED TO COMPLETE STEP

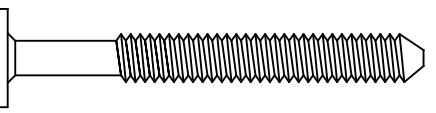
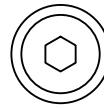
From Step 2



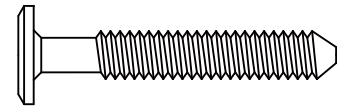
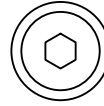
Y. 1/4"x12 mm Barrel Nut x 1



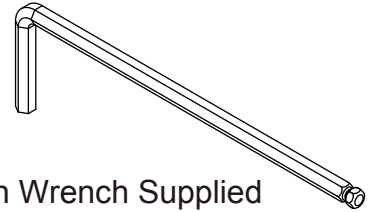
Z.  $\Phi$ 4x30 mm Metal Pin x 2



W. 1/4" x 55 mm Bolt x 1



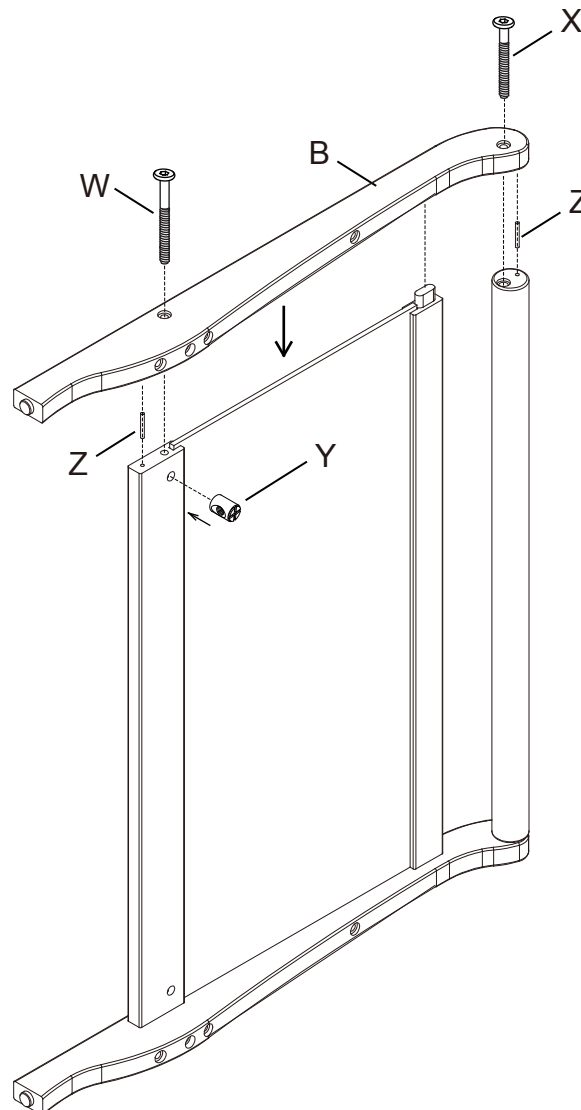
X. 1/4" x 40 mm Bolt x 1



M4 Allen Wrench Supplied

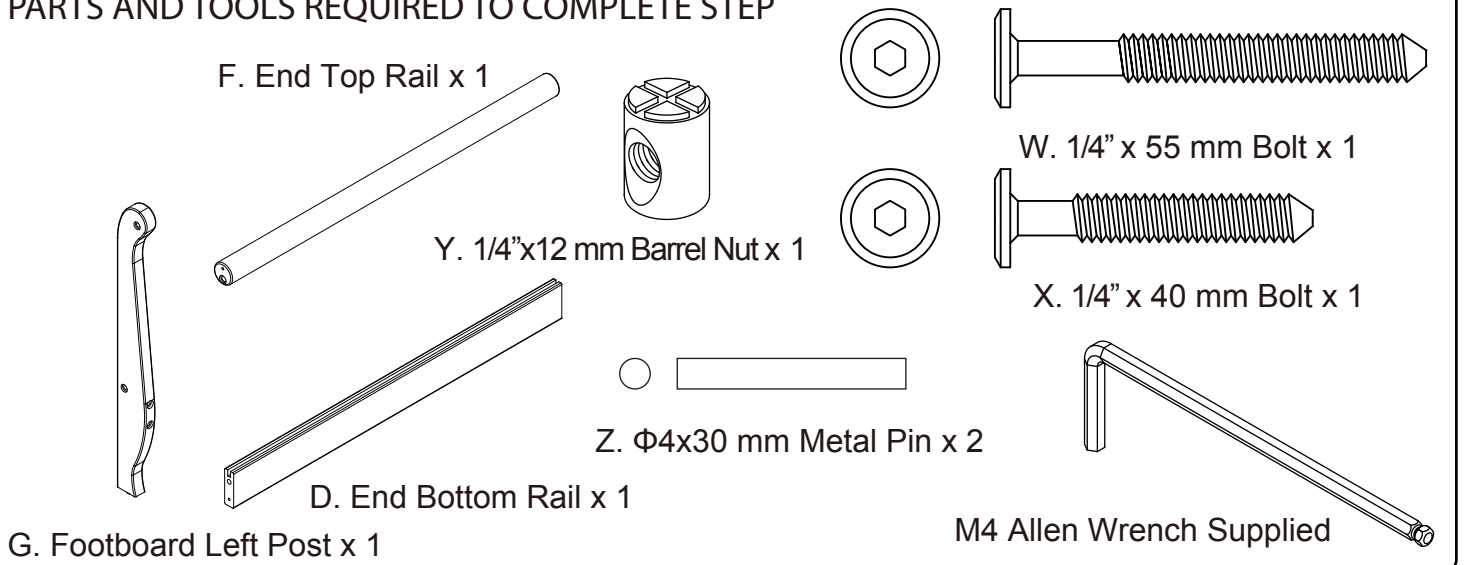
B. Headboard Right Post x 1

Attach (1) Headboard Right Post (Part B) to the assembly from step 2 using (2)  $\Phi$ 4x30 mm Metal Pins (Part Z), (1) 1/4"x40 mm Bolt (Part X), (1) 1/4"x55 mm Bolt (Part W) and (1) 1/4"x12 mm Barrel Nut (Part R). Tighten with the M4 Allen Wrench. Use the Flat Head Screwdriver to hold the Barrel Nut in the proper alignment.

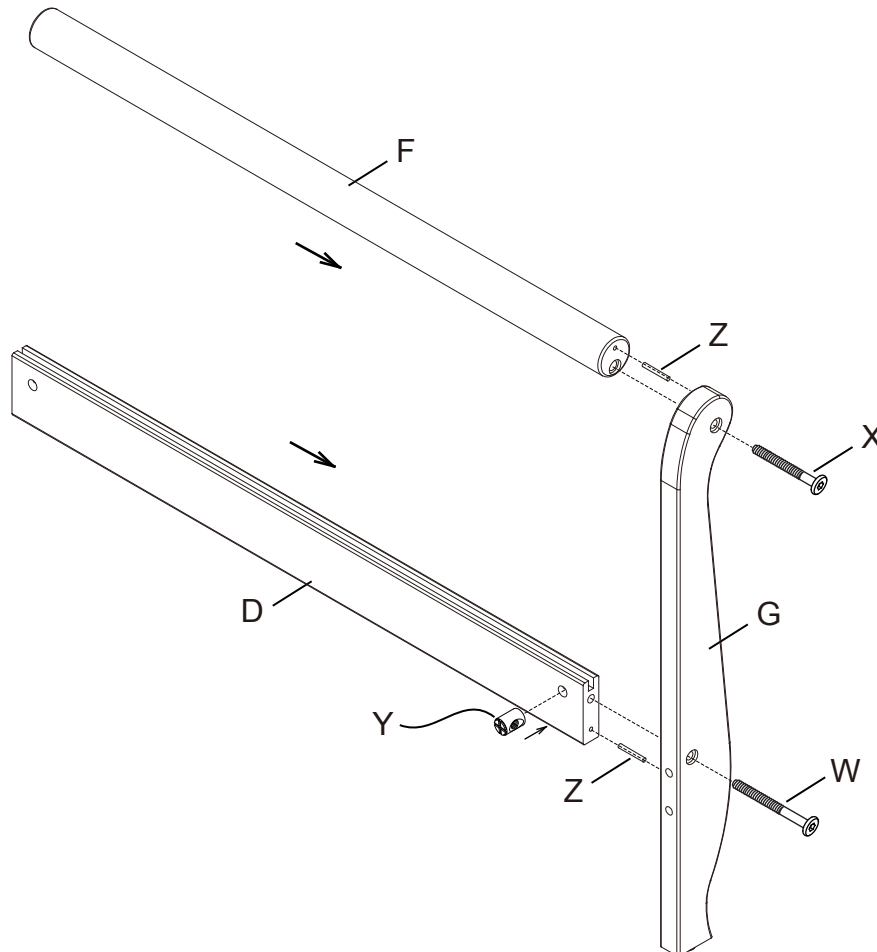


## Step 4

### PARTS AND TOOLS REQUIRED TO COMPLETE STEP



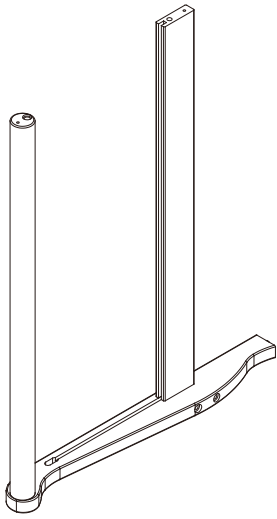
Attach (1) End Bottom Rail (Part D) and (1) End Top Rail (Part F) to (1) Footboard Left Post (Part G) using (2)  $\Phi$ 4x30 mm Metal Pins (Part Z), (1) 1/4"x40mm Bolt (Part X), (1) 1/4"x55mm Bolt (Part W) and (1) 1/4"x12mm Barrel Nut (Part R). Tighten with the M4 Allen Wrench. Use the Flat Head Screwdriver to hold the Barrel Nut in the proper alignment.



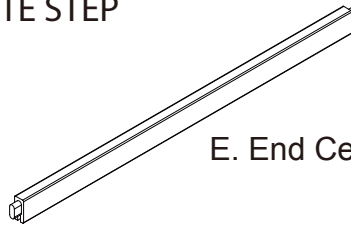


## Step 5

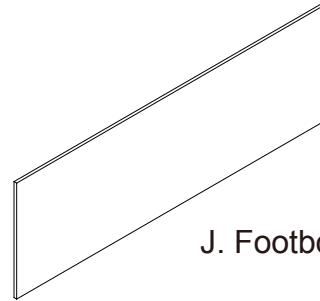
### PARTS AND TOOLS REQUIRED TO COMPLETE STEP



From Step 4

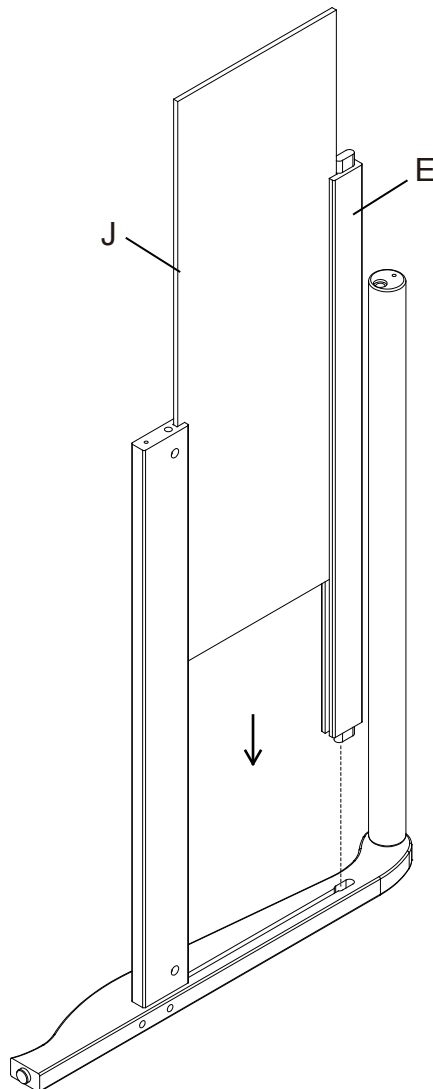


E. End Center Rail x 1



J. Footboard Panel x 1

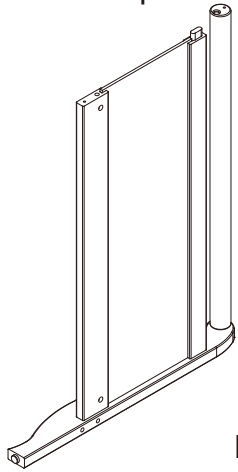
Lay the Footboard Left Post on the floor and loosely insert (1) End Center Rail (Part E) as shown. Slide the Footboard Panel (Part J) in the grooves on the End Center Rail and End Bottom Rail, into the groove on the Headboard Left Post as shown.



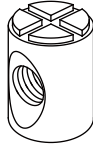
# Step 6

## PARTS AND TOOLS REQUIRED TO COMPLETE STEP

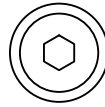
From Step 5



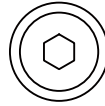
Y. 1/4" x 12 mm Barrel Nut x 1



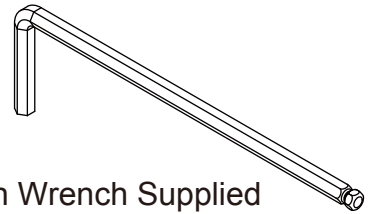
Z.  $\Phi$ 4x30 mm Metal Pin x 2



W. 1/4" x 55 mm Bolt x 1



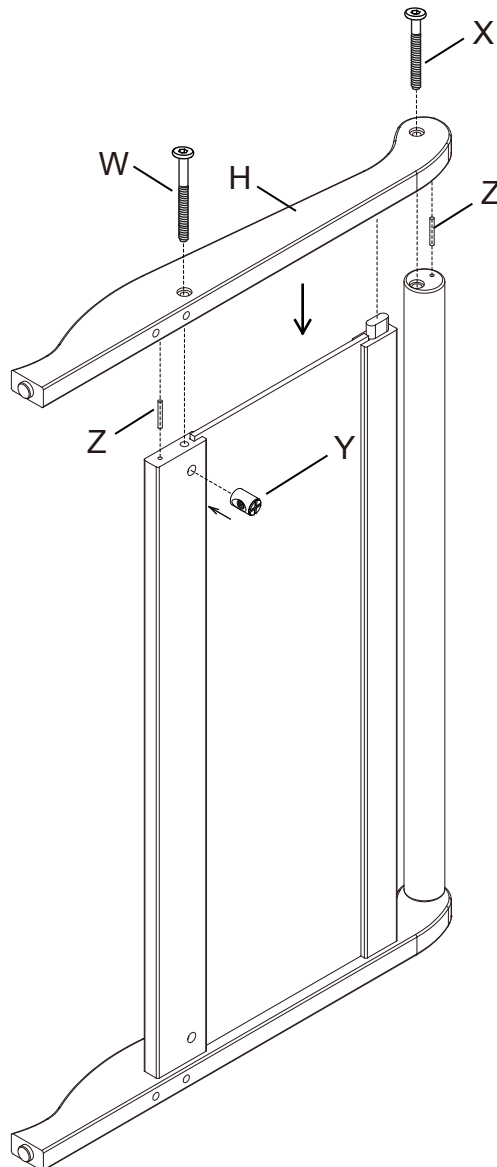
X. 1/4" x 40 mm Bolt x 1



M4 Allen Wrench Supplied

H. Footboard Right Post x 1

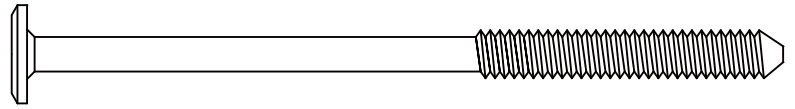
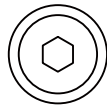
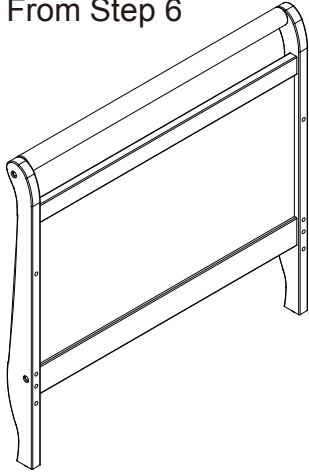
Attach (1) Footboard Right Post (Part H) to the assembly from step 5 using (2)  $\Phi$ 4x30 mm Metal Pins (Part Z), (1) 1/4"x40mm Bolt (Part X), (1) 1/4"x55mm Bolt (Part W) and (1) 1/4"x12mm Barrel Nut (Part R). Tighten with the M4 Allen Wrench. Use the Flat Head Screwdriver to hold the Barrel Nut in the proper alignment.



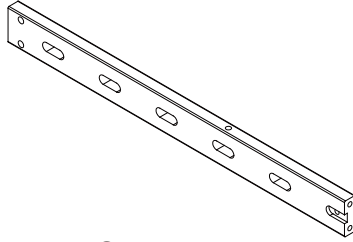
## Step 7

### PARTS AND TOOLS REQUIRED TO COMPLETE STEP

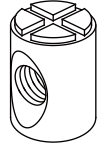
From Step 6



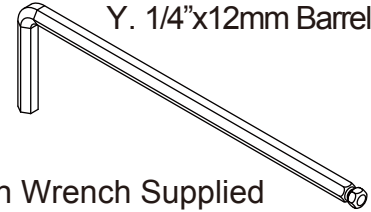
T. 1/4" x 100 mm Bolt x 2



L. Right Back Side Rail x 1

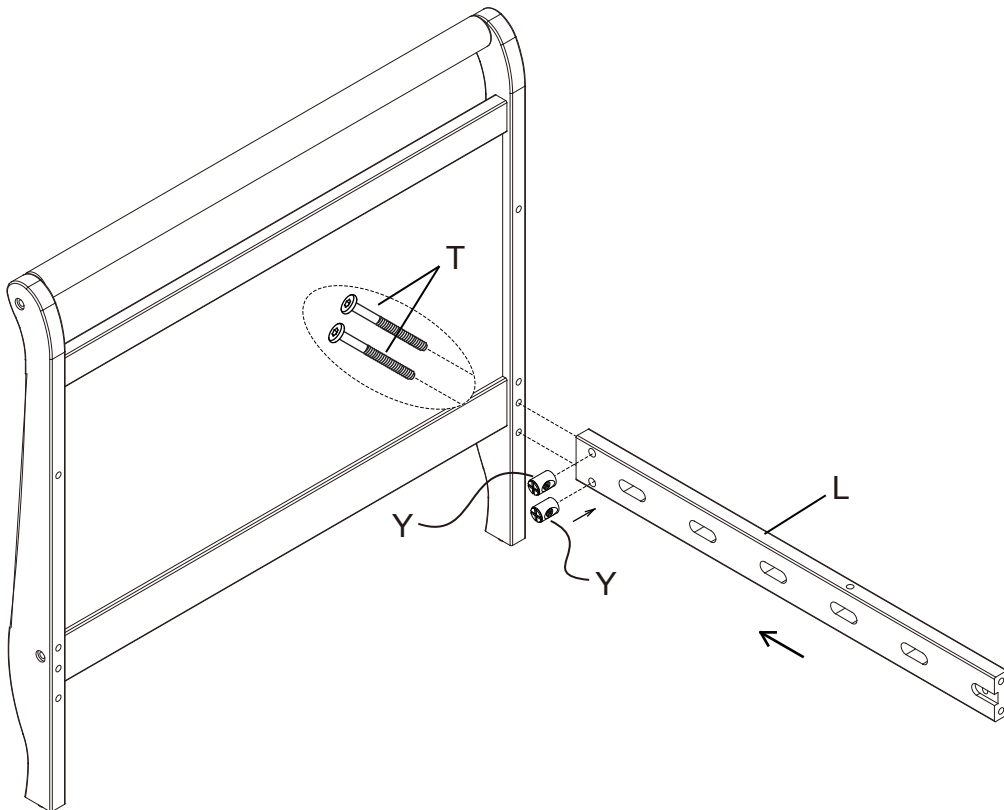


Y. 1/4"x12mm Barrel Nut x 2



M4 Allen Wrench Supplied

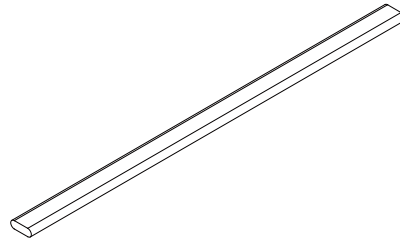
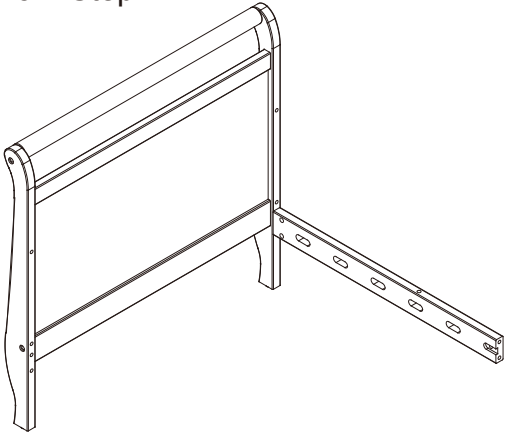
Attach (1) Right Back Side Rail (Part L) to the assembly from step 6 using (2) 1/4"x100mm Bolts (Part T) and (2) 1/4"x12mm Barrel Nuts (Part Y). Tighten with the M4 Allen Wrench. Use the Flat Head Screwdriver to hold the Barrel Nut in the proper alignment.



## Step 8

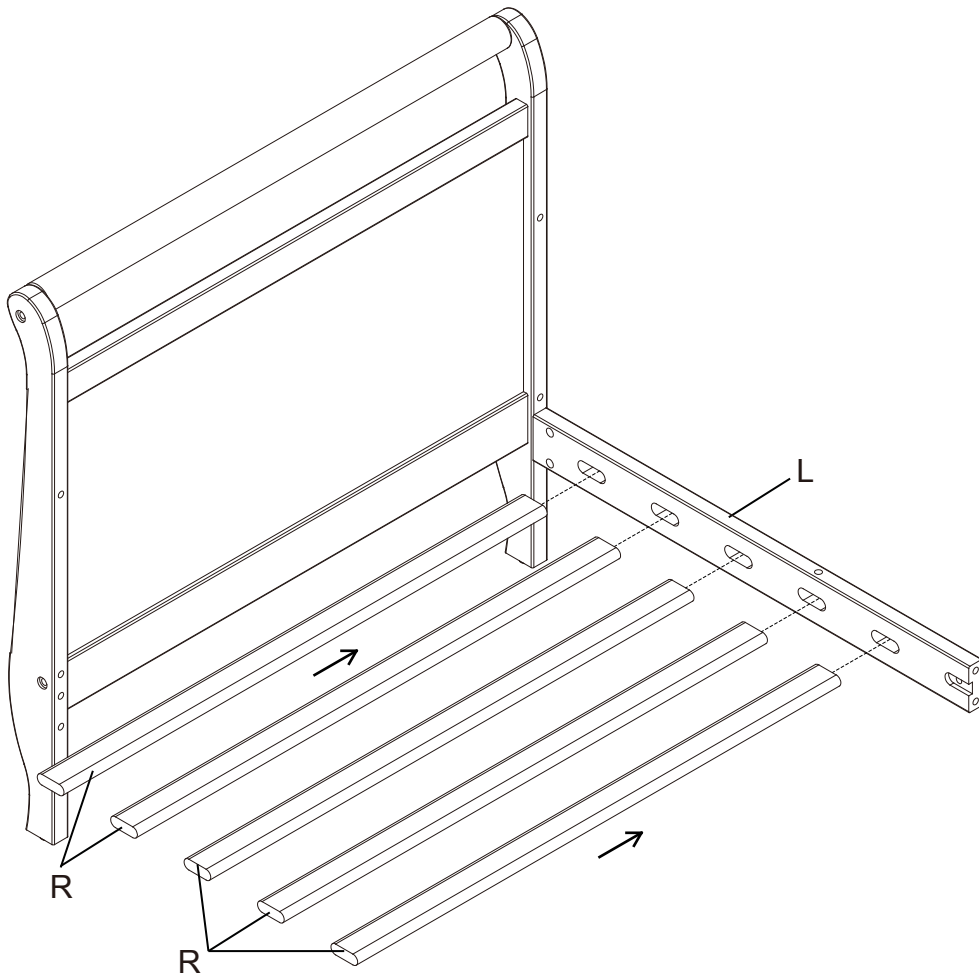
### PARTS AND TOOLS REQUIRED TO COMPLETE STEP

From Step 7



R. Cross Slat x 5

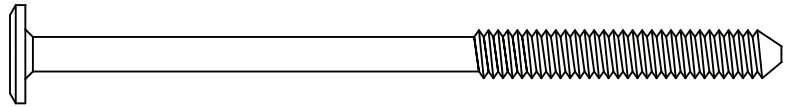
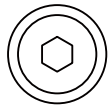
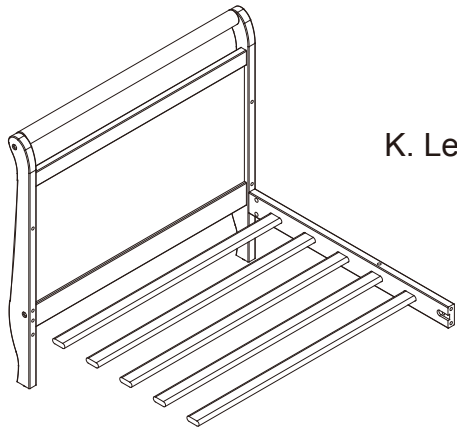
Insert (5) Cross Slats (Part R) as shown.



## Step 9

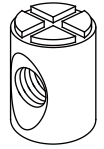
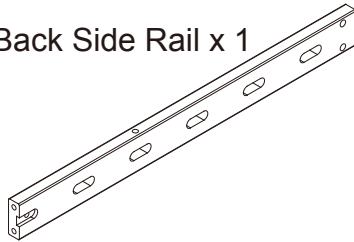
### PARTS AND TOOLS REQUIRED TO COMPLETE STEP

From Step 8

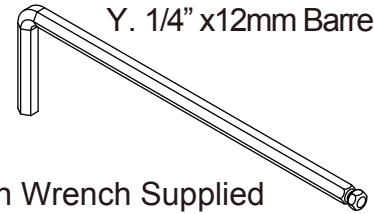


T. 1/4" x 100mm Bolt x 2

K. Left Back Side Rail x 1

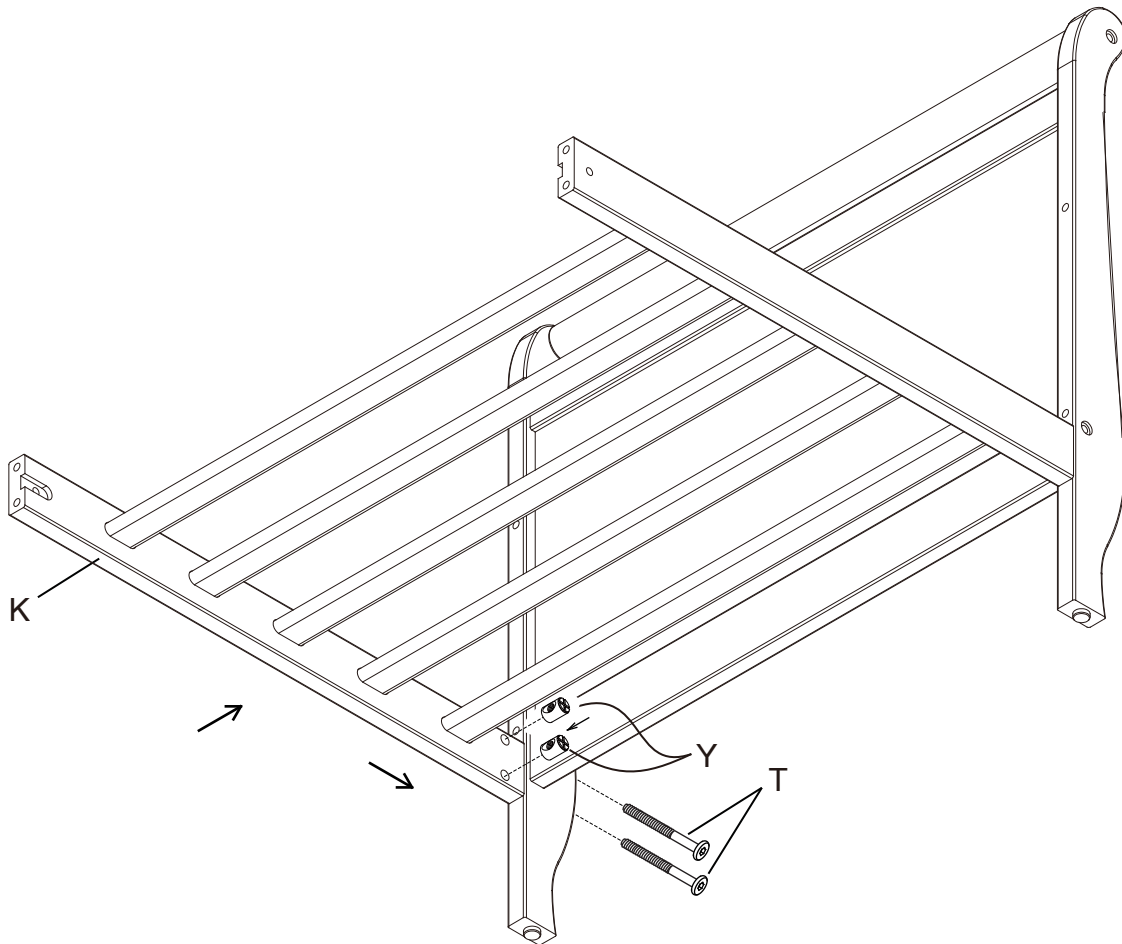


Y. 1/4" x 12mm Barrel Nut x 2



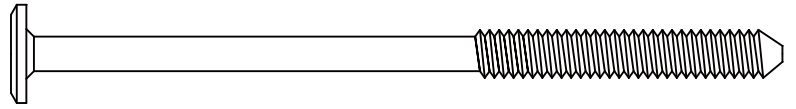
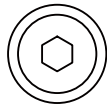
M4 Allen Wrench Supplied

Attach (1) Left Back Side Rail (Part K) to the assembly from step 8 using (2) 1/4"x100mm Bolts (Part T) and (2) 1/4"x12mm Barrel Nuts (Part Y). Tighten with the M4 Allen Wrench. Use the Flat Head Screwdriver to hold the Barrel Nut in the proper alignment.

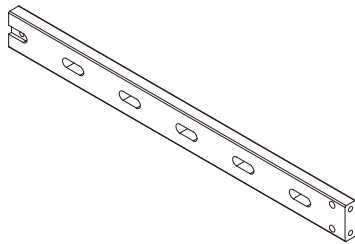


## Step 10

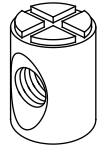
### PARTS AND TOOLS REQUIRED TO COMPLETE STEP



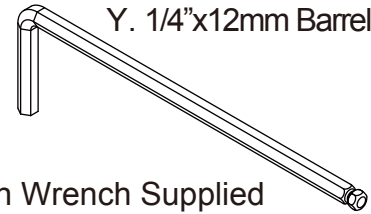
T. 1/4" x 100mm Bolt x 2



M. Front Side Rail x 1

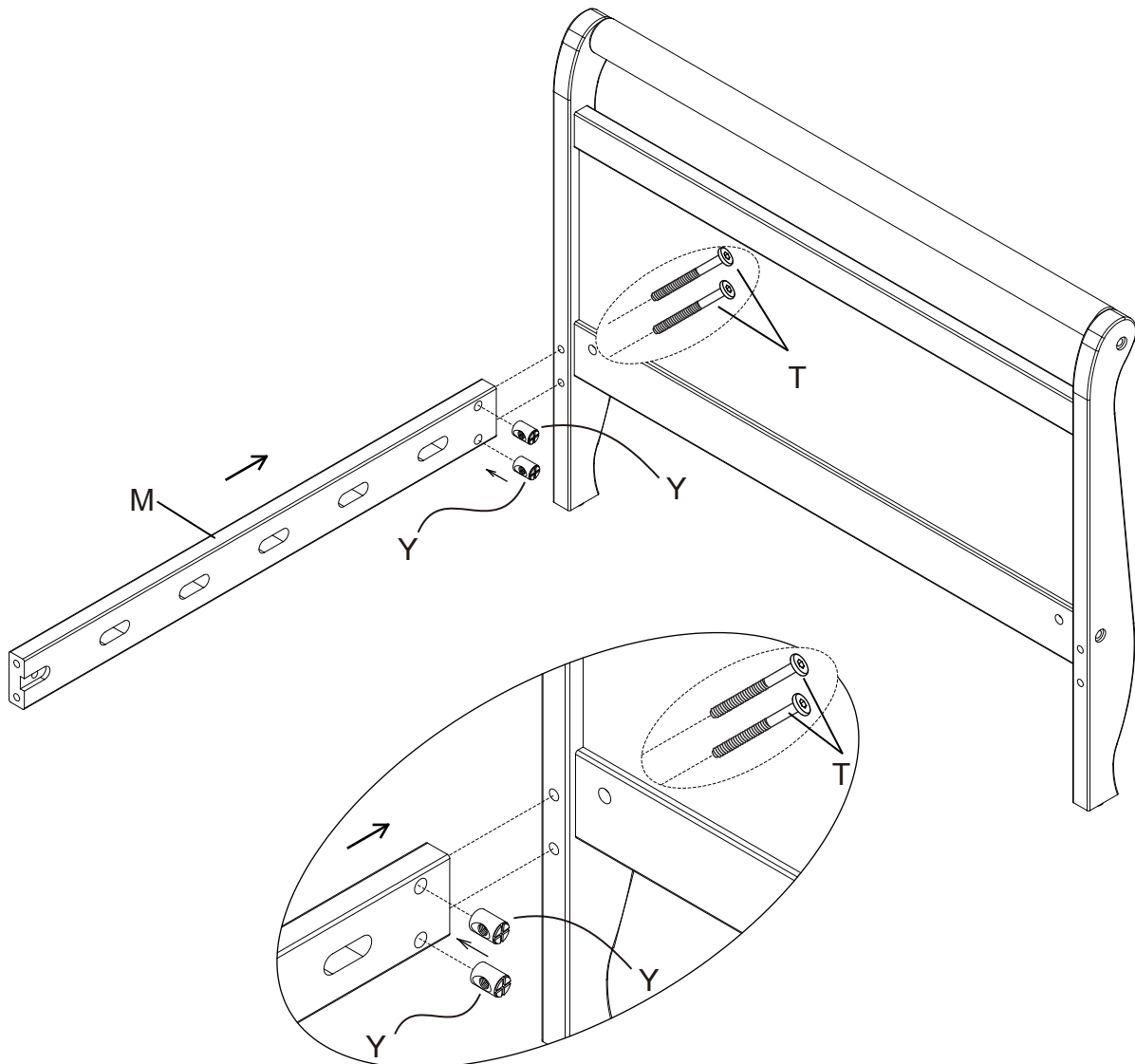


Y. 1/4"x12mm Barrel Nut x 2



M4 Allen Wrench Supplied

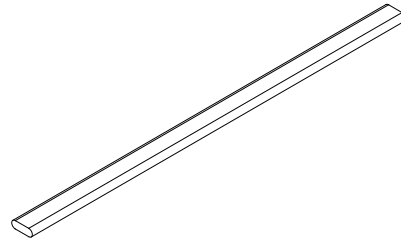
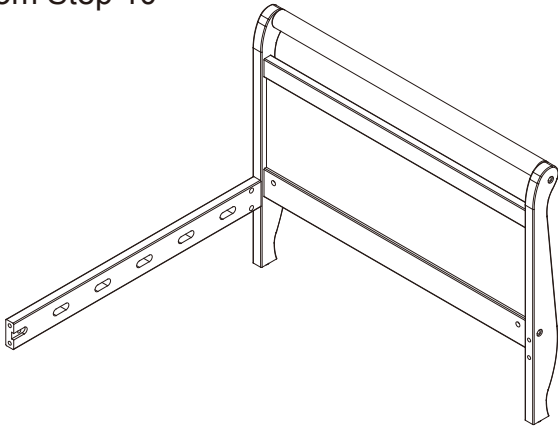
Attach (1) Front Side Rail (Part M) to the assembly from step 6 using (2) 1/4"x100mm Bolts (Part T) and (2) 1/4"x12mm Barrel Nuts (Part Y). Tighten with the M4 Allen Wrench. Use the Flat Head Screwdriver to hold the Barrel Nut in the proper alignment.



# Step 11

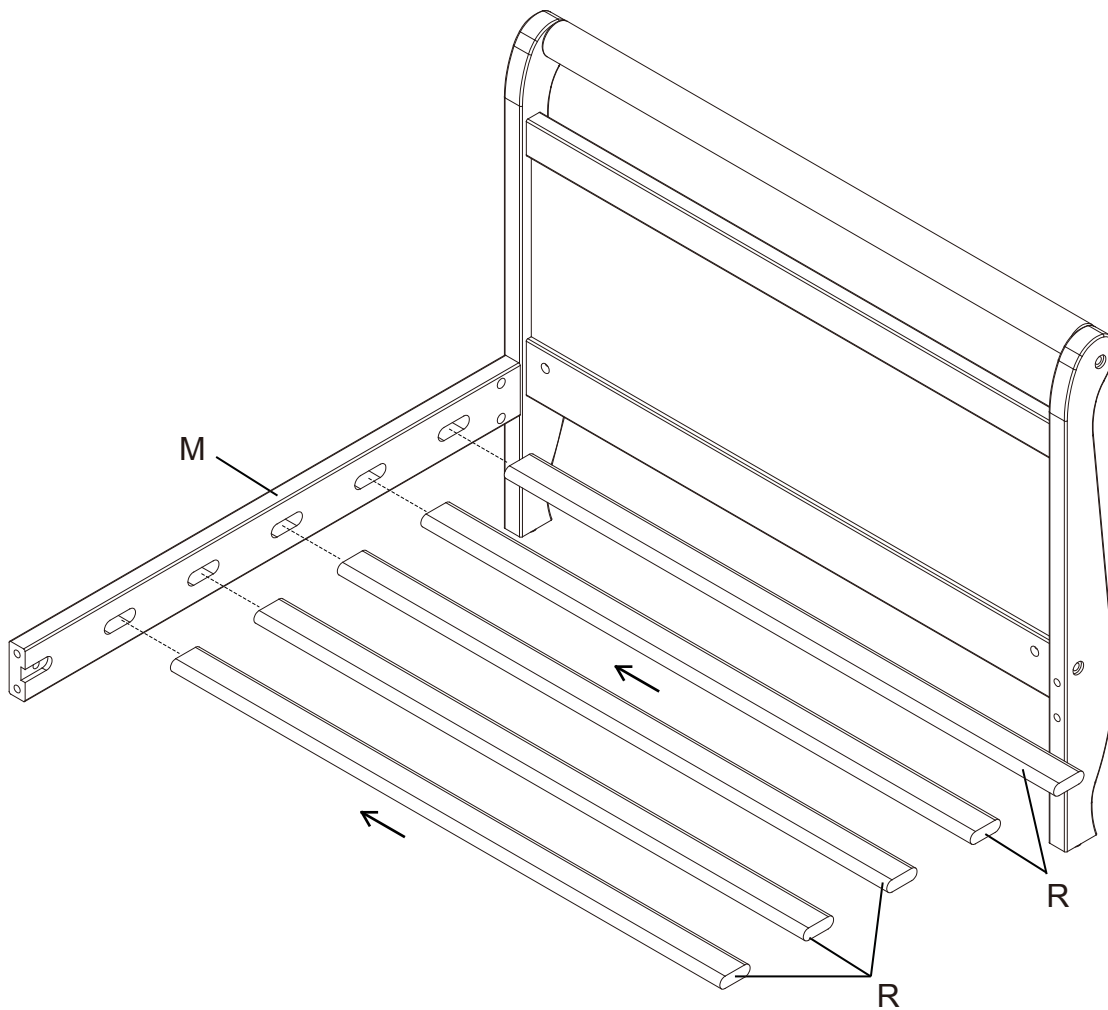
## PARTS AND TOOLS REQUIRED TO COMPLETE STEP

From Step 10



R. Cross Slat x 5

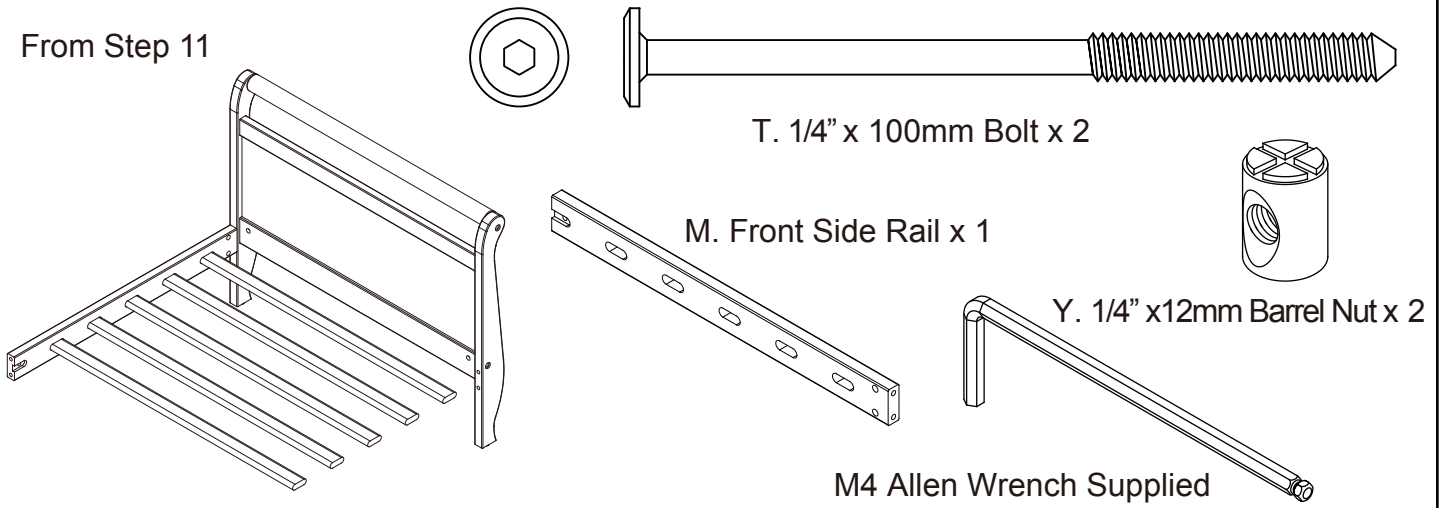
Insert (5) Cross Slats (Part R) as shown.



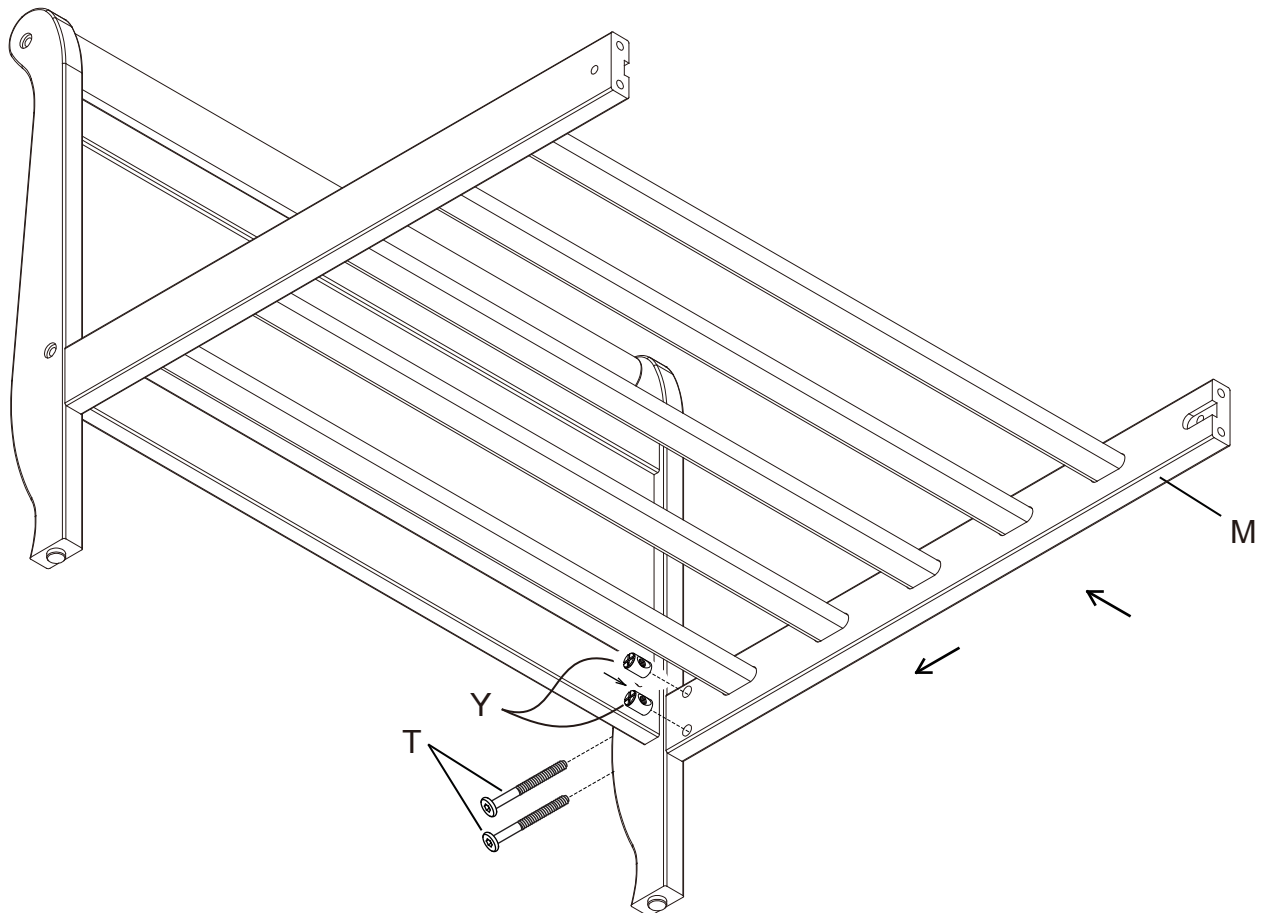
## Step 12

### PARTS AND TOOLS REQUIRED TO COMPLETE STEP

From Step 11



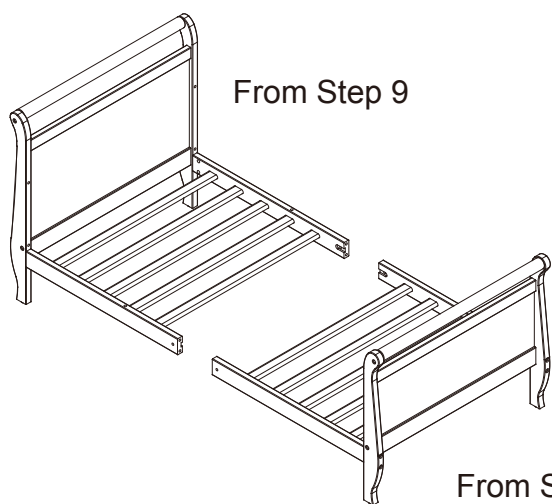
Attach (1) Front Side Rail (Part M) to the assembly from step 11 using (2) 1/4"x100mm Bolts (Part T) and (2) 1/4"x12mm Barrel Nuts (Part Y). Tighten with the M4 Allen Wrench. Use the Flat Head Screwdriver to hold the Barrel Nut in the proper alignment.





## Step 13

### PARTS AND TOOLS REQUIRED TO COMPLETE STEP

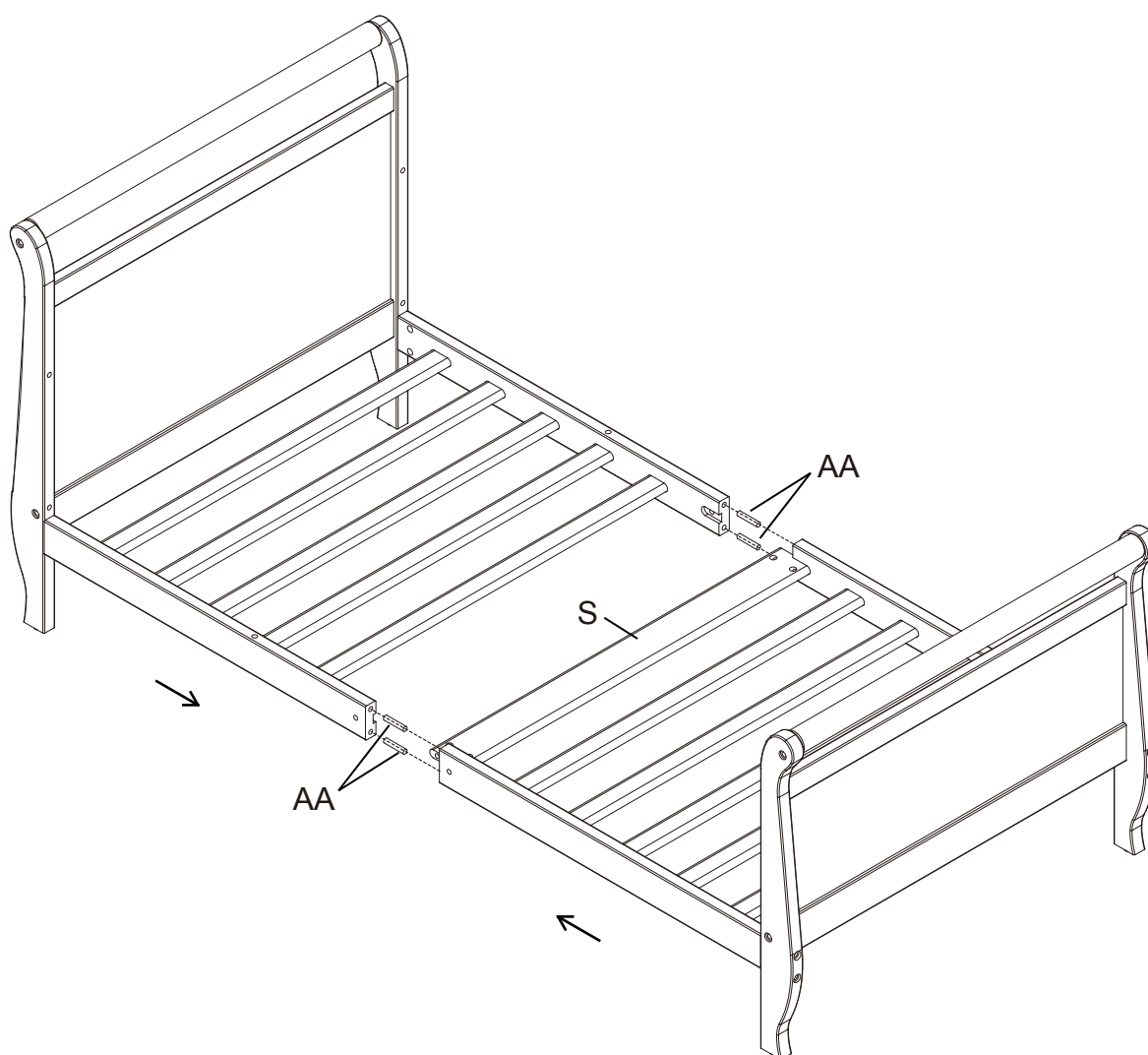


AA.  $\Phi 8 \times 40$  mm Wood Dowel x 4



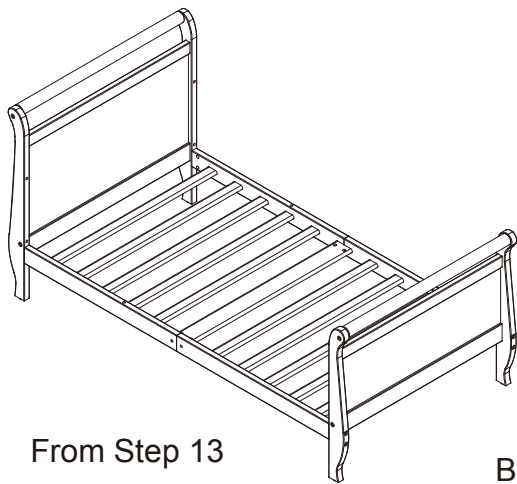
S. Center Cross Slat x 1

Insert (1) Center Cross Slat (Part S) in the grooves on the end of the Front Side Rails (Part M). Attach the assembly from step 11 to the assembly from step 12 using (4)  $\Phi 8 \times 40$  mm Wood Dowels (Part AA).



# Step 14

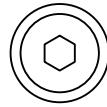
## PARTS AND TOOLS REQUIRED TO COMPLETE STEP



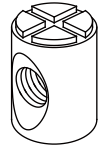
From Step 13



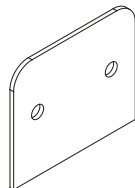
P. Center Leg x 2



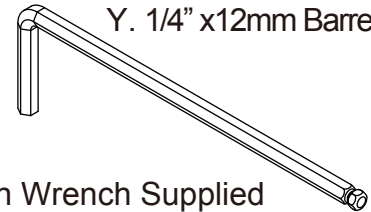
V. 1/4" x 60mm Bolt x 4



Y. 1/4" x 12mm Barrel Nut x 4



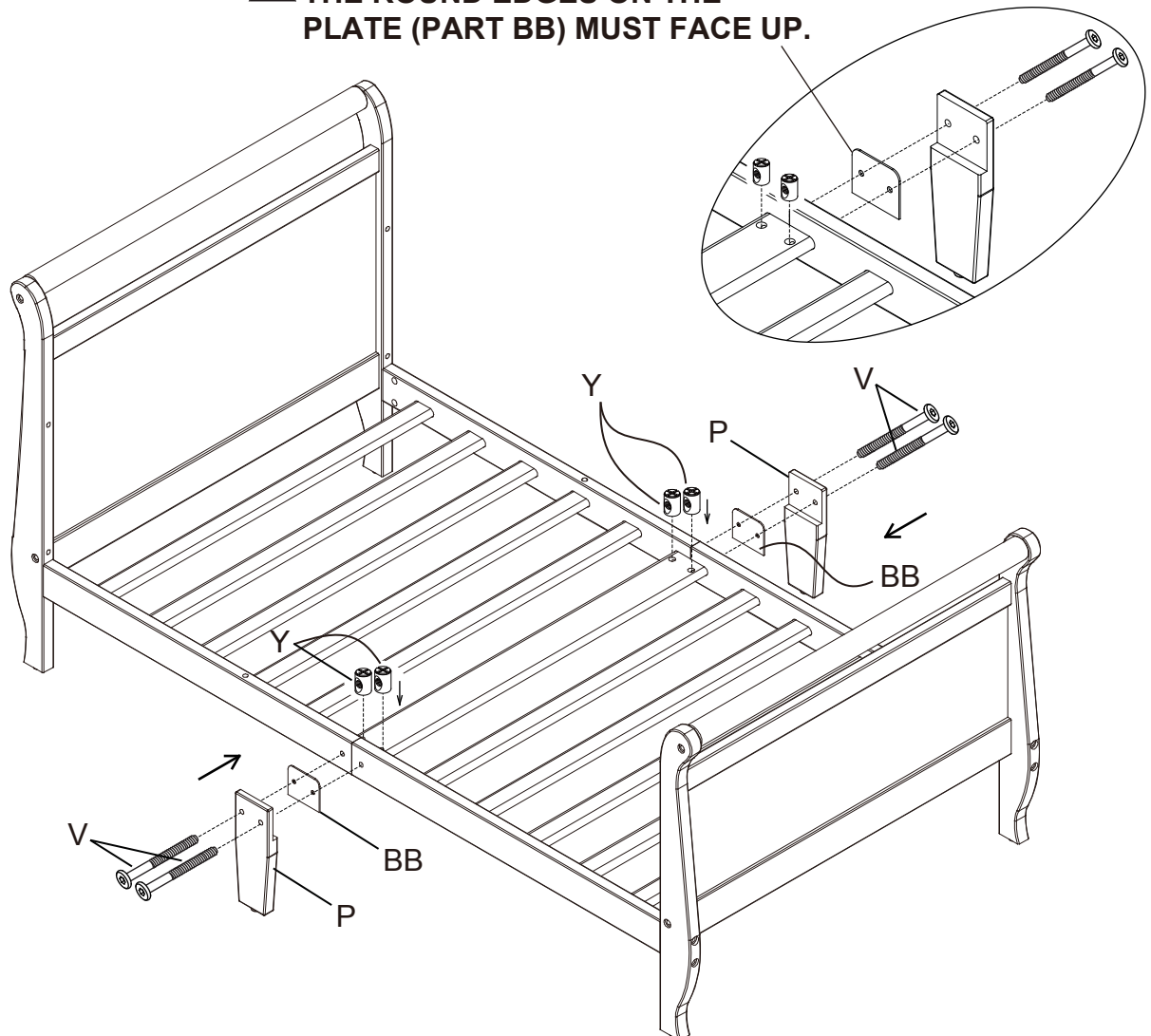
BB. Mending Plate x 2



M4 Allen Wrench Supplied

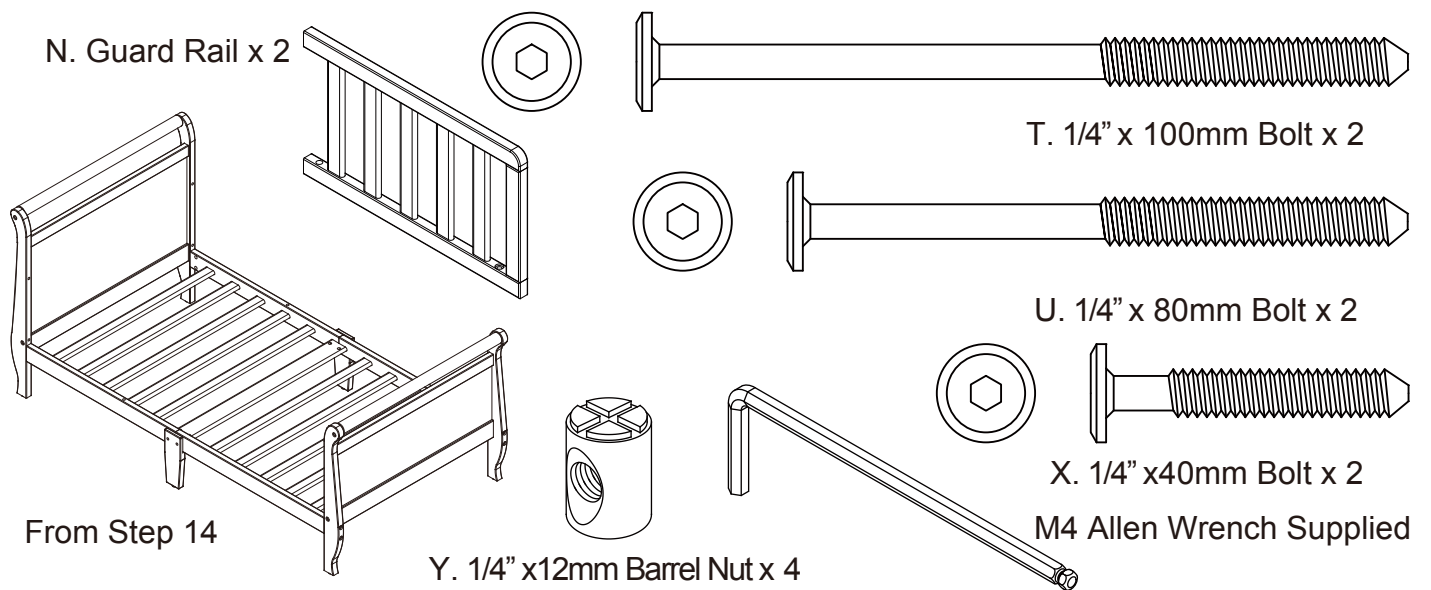
Attach (2) Center Legs (Part P) to the assembly from step 13 using (2) Mending Plates (Part BB), (4) 1/4"x60mm Bolts (Part V) and (4) 1/4"x12mm Barrel Nuts (Part Y). Tighten with the M4 Allen Wrench. Use the Flat Head Screwdriver to hold the Barrel Nut in the proper alignment.

**⚠ THE ROUND EDGES ON THE PLATE (PART BB) MUST FACE UP.**

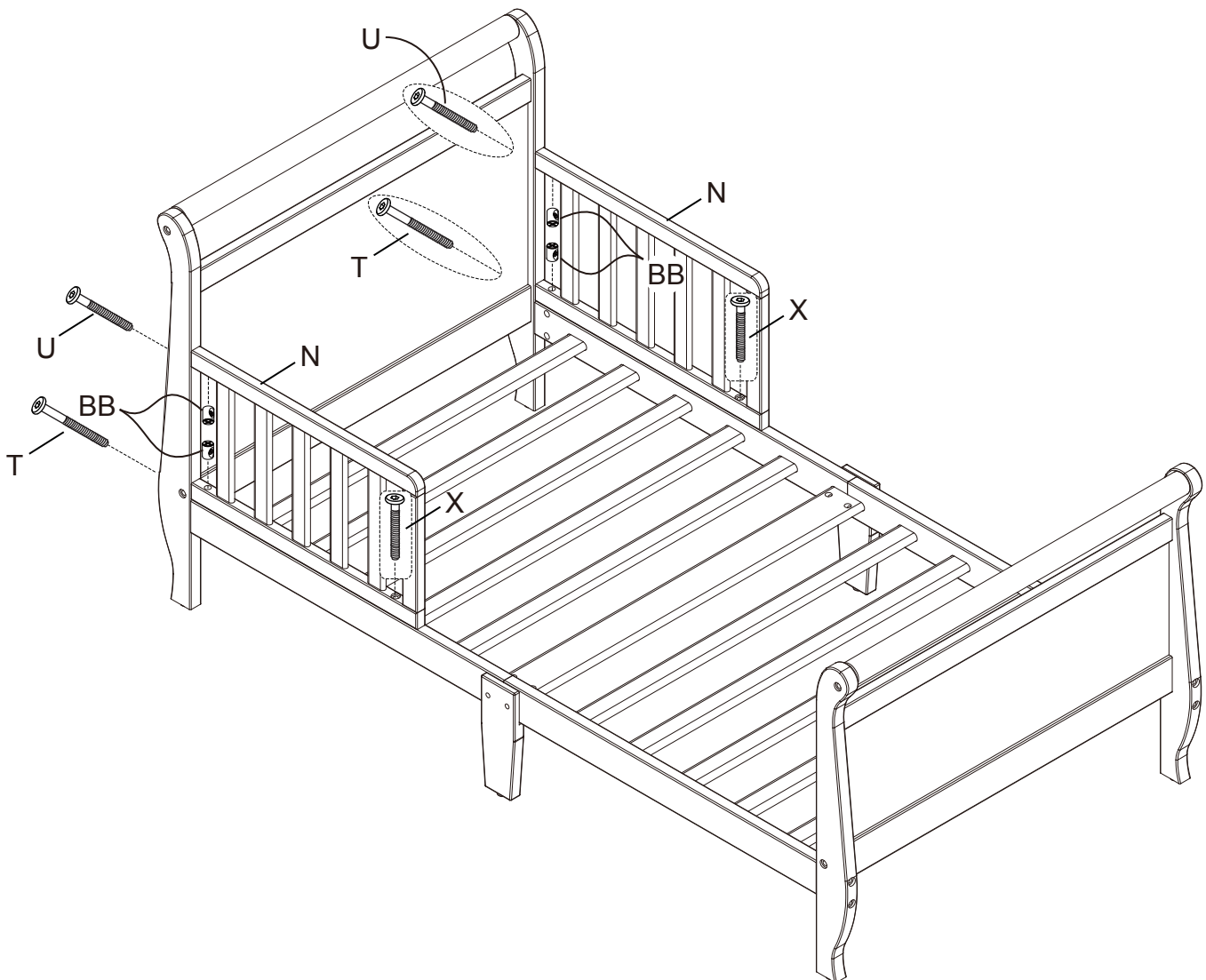


# Step 15

## PARTS AND TOOLS REQUIRED TO COMPLETE STEP



Attach (2) Guardrails (Part N) to the assembly from step 14 using (2) 1/4"x40mm Bolts (Part X), (2) 1/4"x80mm Bolts (Part U), (2) 1/4"x100mm Bolts (Part T) and (4) 1/4"x12mm Barrel Nuts (Part Y). Tighten with the M4 Allen Wrench. Use the Flat Head Screwdriver to hold the Barrel Nut in the proper alignment.





**Children's Products**

Consumer Care:

[www.DeltaChildren.com](http://www.DeltaChildren.com)

Delta Children's Products

114 West 26th Street

New York, NY 10001

Tele.212-645-9033

**Warranty:** This Delta product is warranted to be free from defects for a period of 90 days from the date of purchase under normal use. This warranty extends only to the original retail purchaser and is valid only when supplied with proof of purchase, or if received as a gift, when the registration is on file with Delta.

To register your product for important safety alerts and updates to your product please visit [www.DeltaChildren.com](http://www.DeltaChildren.com)

Please do not return this item to the store before contacting us about missing parts or with any questions.

To report a problem, please log on to [www.DeltaChildren.com](http://www.DeltaChildren.com) and click the Consumer Care Tab, or contact us by phone at (212) 645-9033.

In the event that you need to contact our customer service department please have the Style Number and Lot Number available. Use the space below to make note of those numbers. They can be found on the label on the Headboard bottom rail.

**STYLE No: 7182**

COLOR

REV

FTY

Lot No. : \_\_\_\_\_

Pack Date: \_\_\_\_\_

Date of Purchase: \_\_\_\_\_ (you should also keep your receipt)