

Delta™

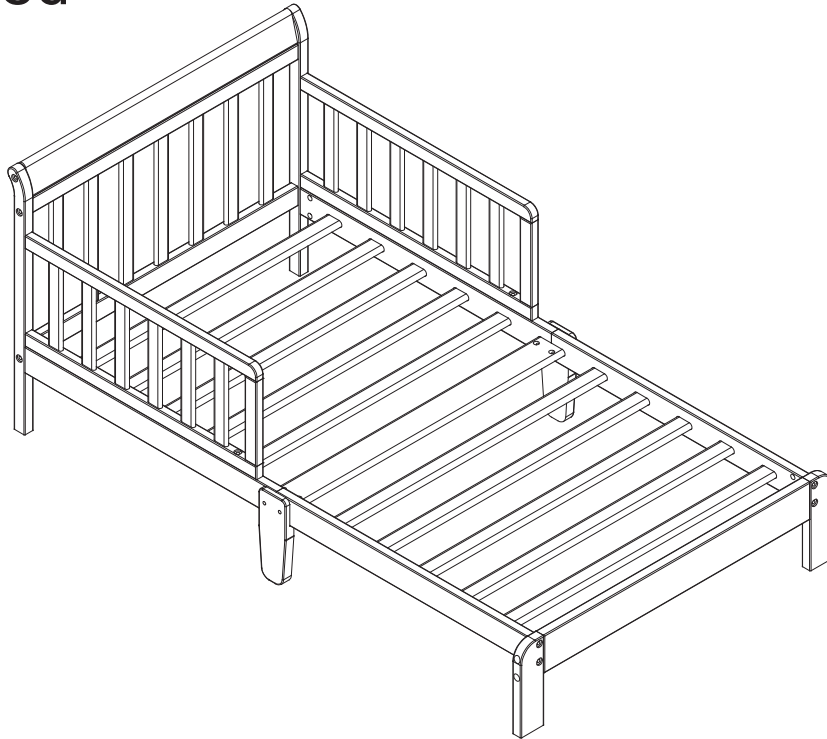
Children's Products

Toddler Bed

Read all instructions before assembly and use.
KEEP INSTRUCTIONS FOR FUTURE USE.

⚠ ADULT ASSEMBLY REQUIRED

Due to the presence of small parts during assembly, keep out of reach of children until assembly is complete.



THIS PRODUCT IS NOT INTENDED FOR INSTITUTIONAL OR COMMERCIAL USE.

Consumer Care:

www.DeltaChildren.com

Delta Children's Products
114 West 26th Street
New York, NY 10001
Tele. 212-645-9033

Style #: _____
Lot: _____
Date: _____



When contacting Delta Consumer Care you will need to reference the above numbers. They can also be found on the label on the Headboard bottom rail.

To register your product for important safety alerts and updates to your product please visit www.DeltaChildren.com and click on Product Registration.

TODDLER BED

⚠️WARNING

INFANTS HAVE DIED IN TODDLER BEDS FROM ENTRAPMENT.

Openings in and between bed parts can entrap head and neck of a small child.
NEVER use bed with children younger than 15 months.
ALWAYS follow assembly instructions.
The maximum user weight is 50lbs (22.7kg)

⚠️WARNING

STRANGULATION HAZARD

NEVER place bed near windows where cords from blinds or drapes may strangle a child.
NEVER suspend strings over a bed.
NEVER place items with a string, cord, or ribbon, such as hood strings or pacifier cords, around a child's neck. These items may catch on bed parts.

⚠️CAUTION

ENTRAPMENT HAZARD

To avoid dangerous gaps, any mattress used in this bed shall be a full-size crib mattress at least 51 5/8 in (1310mm) in length, 27 1/4 in (690mm) in width and 4 in (100mm) in thickness. The mattress thickness must not exceed 5 3/4" (146mm).

NOTES ON ASSEMBLY:

- During the assembly process whenever using screws or bolts, check each by placing the screw/bolt on the diagram of the item which is drawn actual size and design. Be sure to use the proper size and shape specified in the instructions.
- To assemble this unit you may be required to place the unit on it's side and face. It is strongly recommended that assembly is done on a soft, non-abrasive surface to avoid damaging the finish.

NOTES ON USE:

Keep children and others safe by following these simple rules:

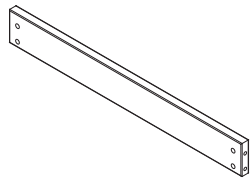
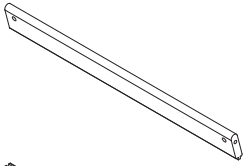
- **Do not** allow any child to play on furniture
- **Do not** allow climbing on any piece of furniture.
- **Do not** allow hanging from any piece of furniture.
- Always monitor your child's activity when in the nursery.

NOTES ON CARE AND MAINTENANCE:

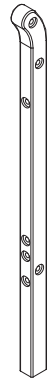
- **Do not** scratch or chip the finish.
- Inspect the product periodically, contact Delta Children's Products for replacement parts or questions.
- **Do not** store the product or any parts in extreme temperatures and conditions such as a hot attic or a damp, cold basement. These extremes can cause a loss of structural integrity.
- To preserve the luster of the high quality finish on your product, it is recommended to place a doily or felt pad under any items you place on the finish.
- Clean with a damp cloth, then a dry cloth to preserve the original luster and beauty of this fine finish.
- Do not** use abrasive chemicals.
- Do not** spray cleaners directly onto furniture.
- Lift slightly when moving on carpeting to prevent leg breakage.
- Use of a vaporizer near furniture will cause wood to swell and finish to peel.

PARTS: MAKE SURE THAT ALL PRE-ASSEMBLED PARTS ARE TIGHT.

A. Headboard Top Rail x1



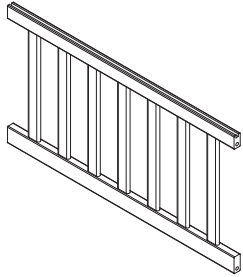
C. Footboard Rail x1



D1. Left Headboard Leg x1



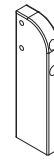
D2. Right Headboard Leg x1



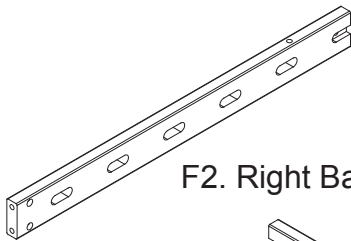
B. Headboard x1



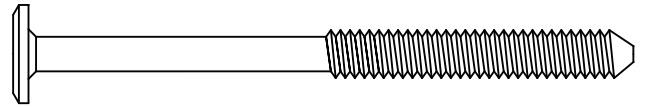
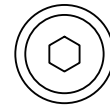
E2. Right Footboard Leg x1



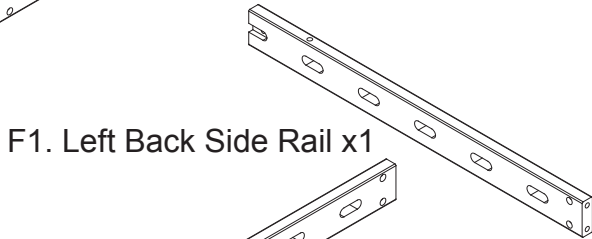
E1. Left Footboard Leg x1



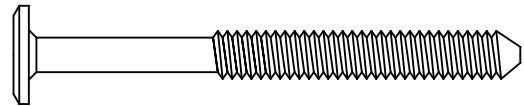
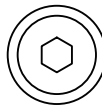
F2. Right Back Side Rail x1



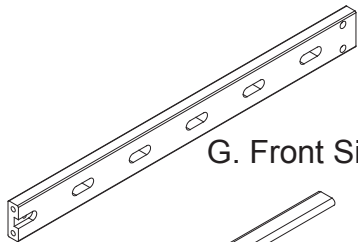
M. M6x80mm Bolt x4



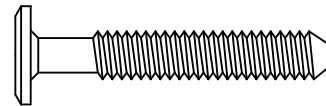
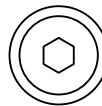
F1. Left Back Side Rail x1



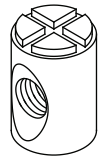
N. M6x65mm Bolt x18



G. Front Side Rail x2



P. M6x40mm Bolt x6



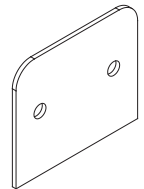
T. M6x13 mm Barrel Nut x 22



H. Cross Slat x10



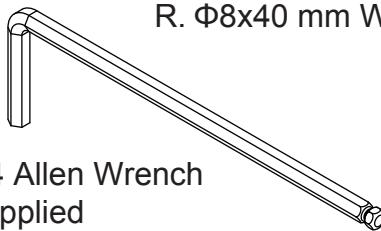
R. Φ 8x40 mm Wood Dowel x4



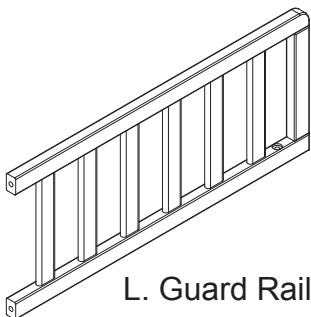
S. Plate x2



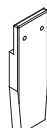
J. Center Cross Slat x1



M4 Allen Wrench
Supplied



L. Guard Rail x2

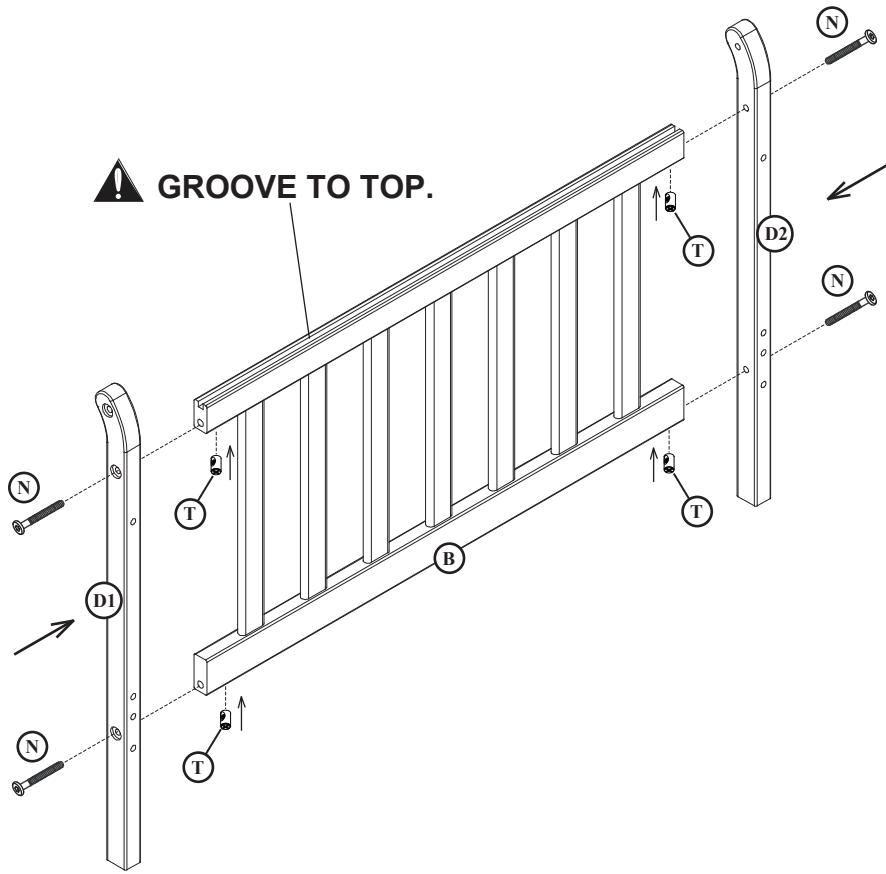


K. Center Leg x2

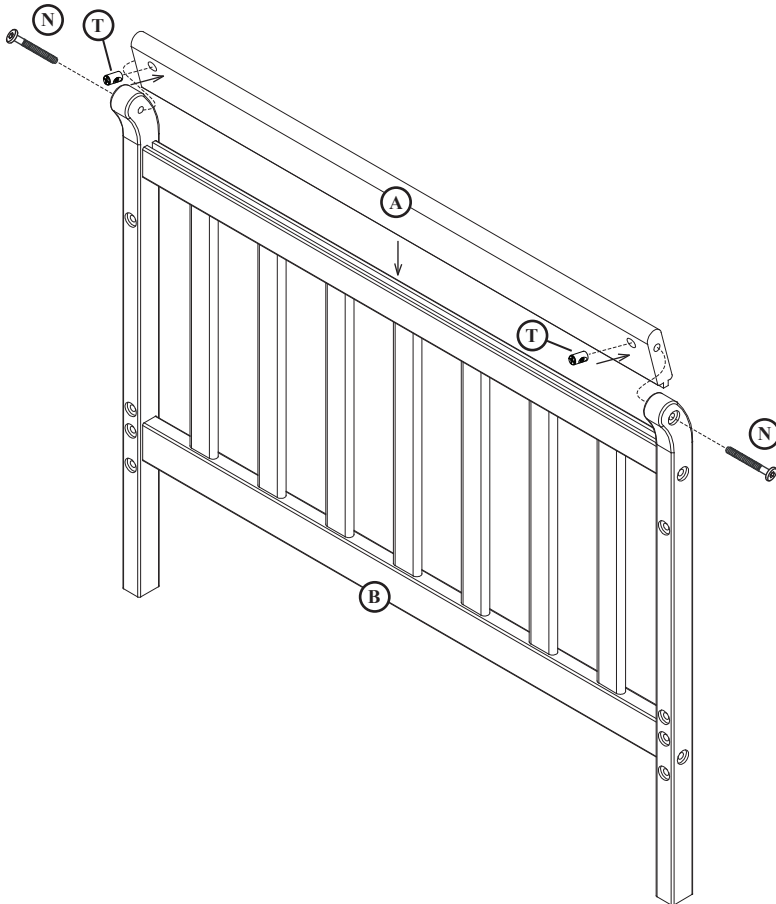
HARDWARE AND TOOLS

Flat Head Screwdriver
(not supplied)
No drills necessary. Do not
use power screwdriver.

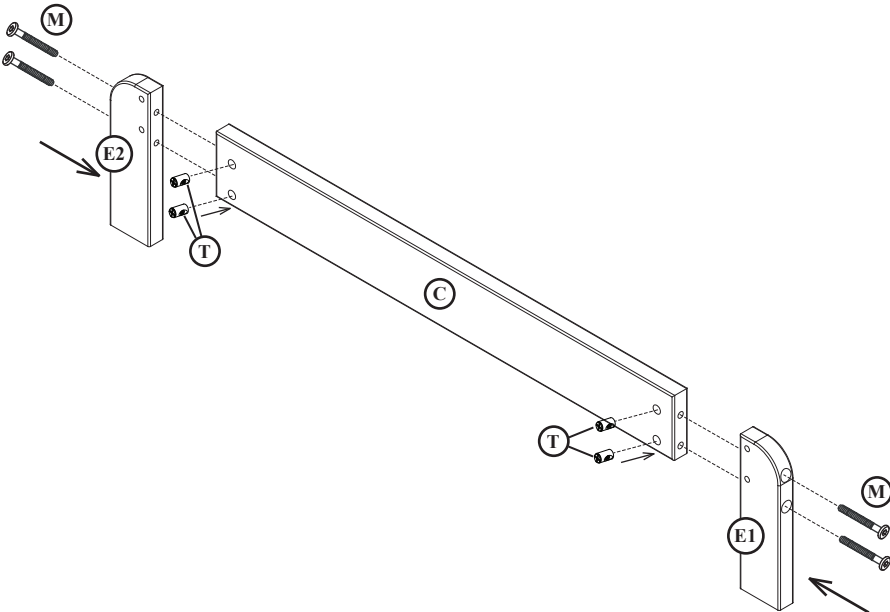
Step 1



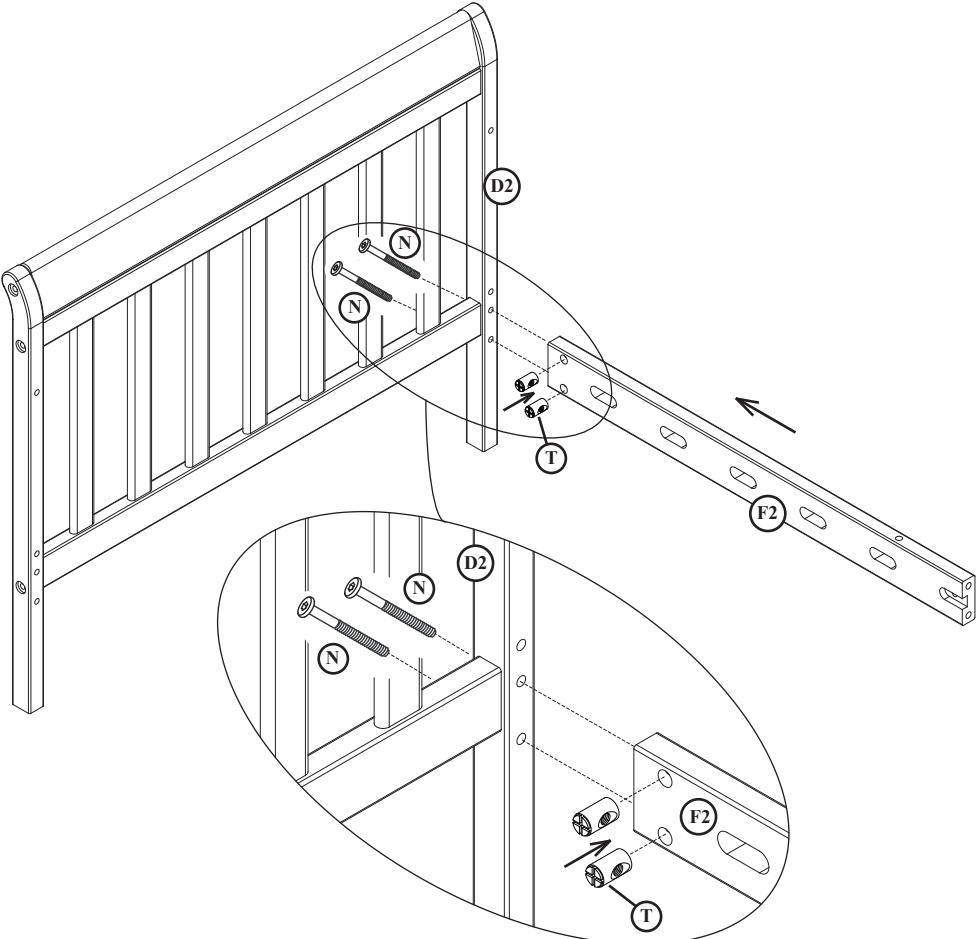
Step 2



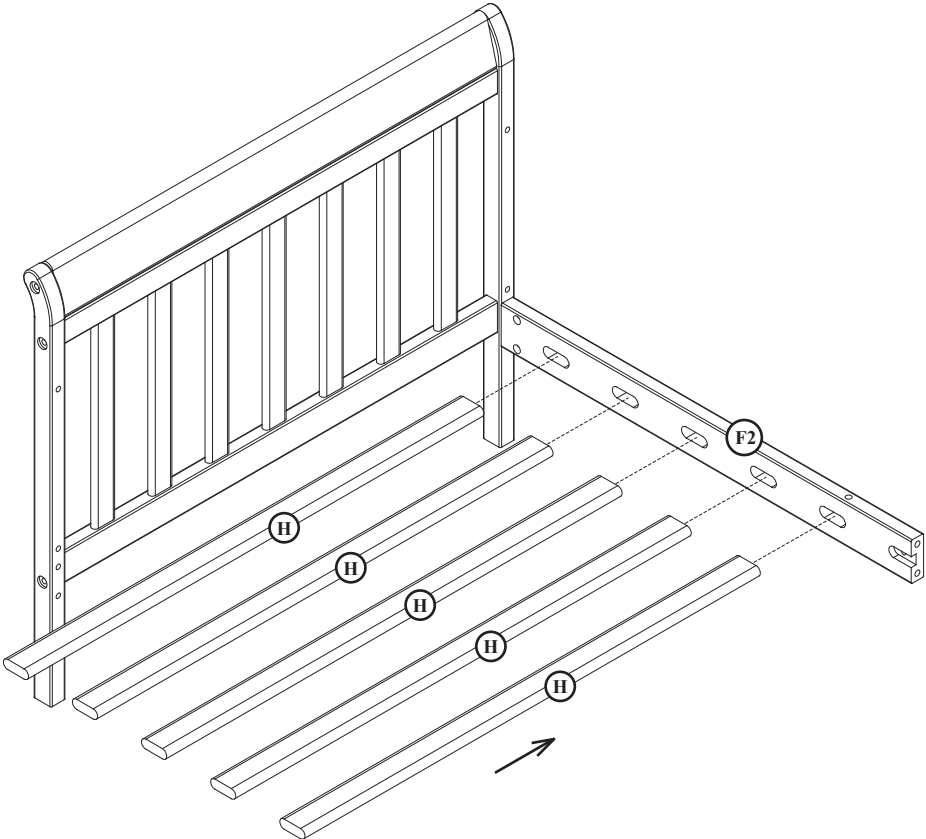
Step 3



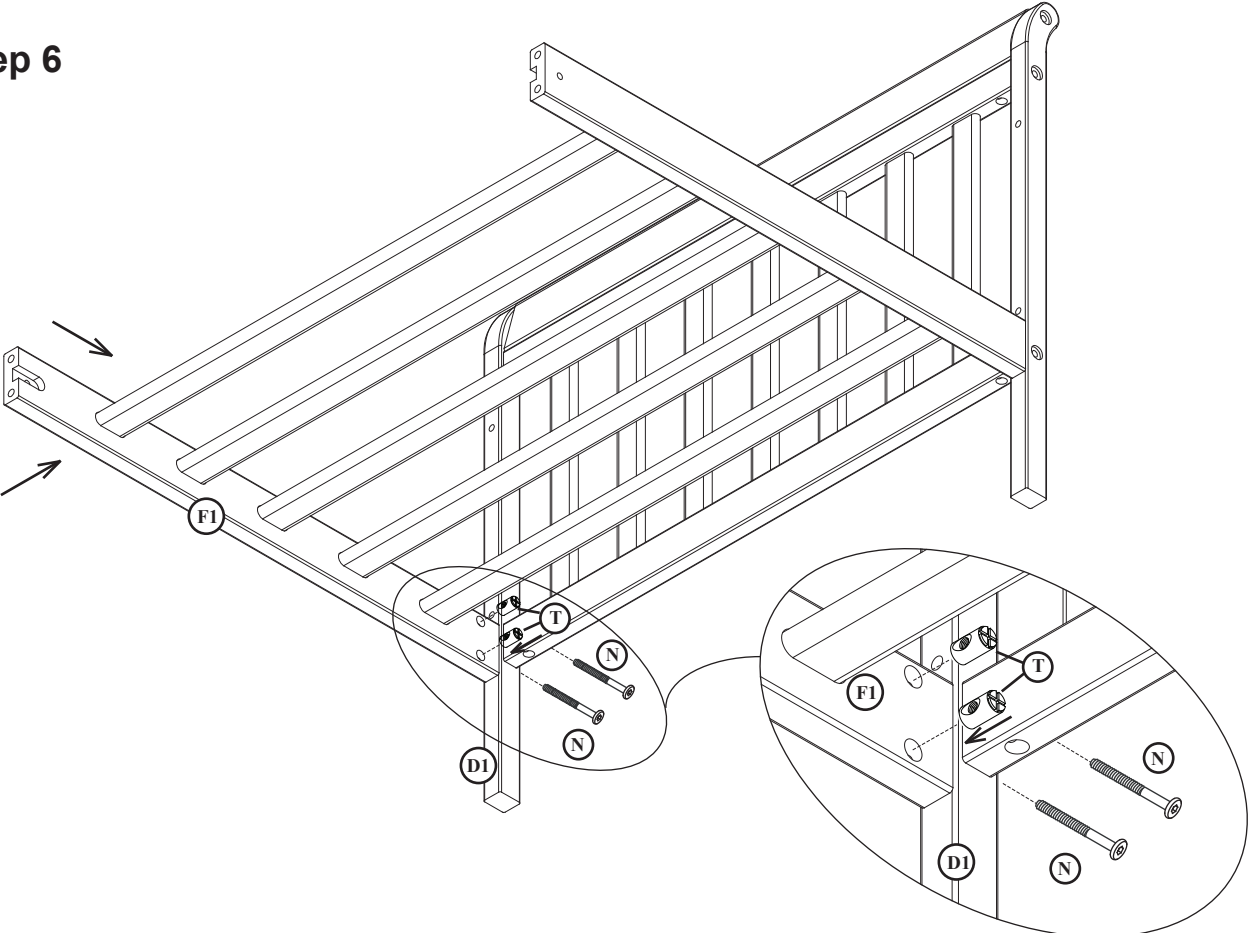
Step 4



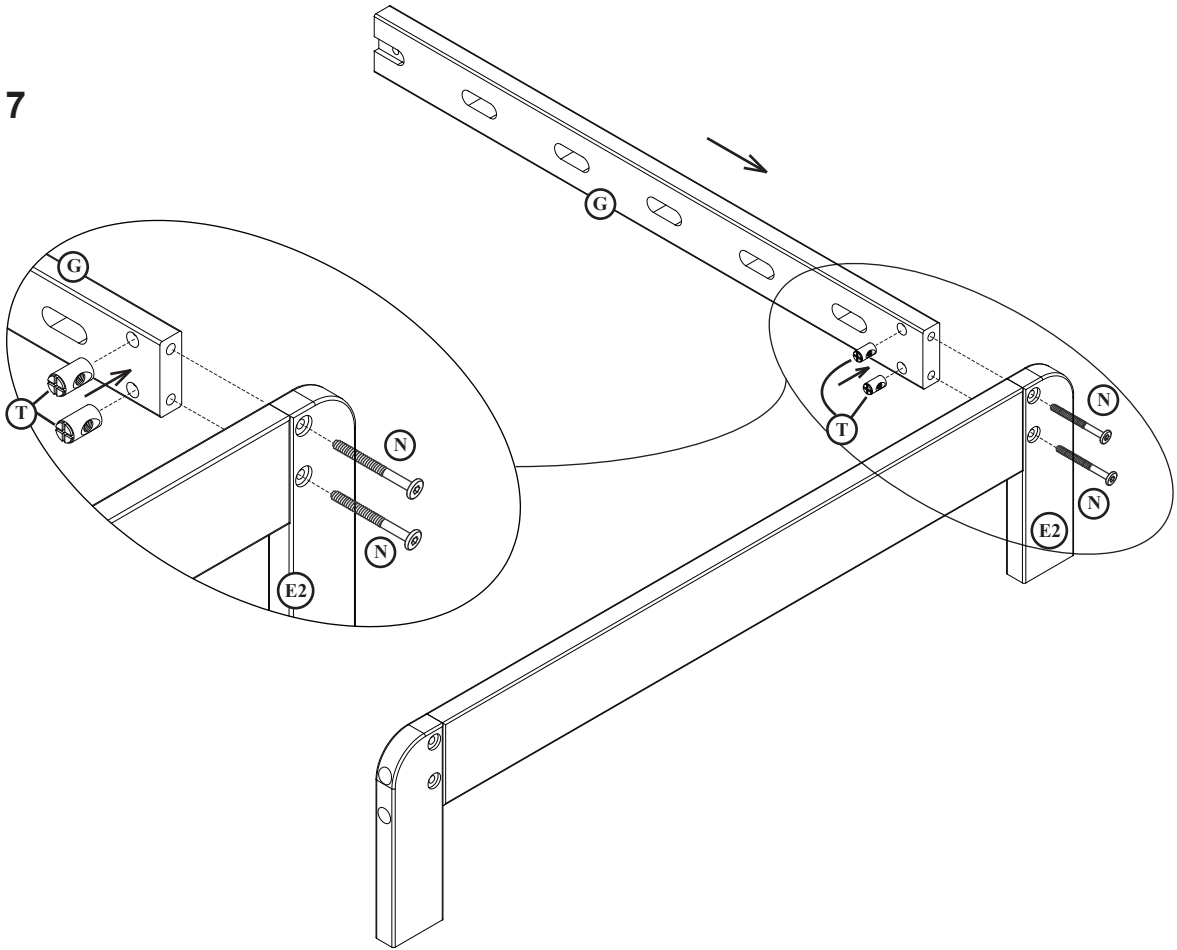
Step 5



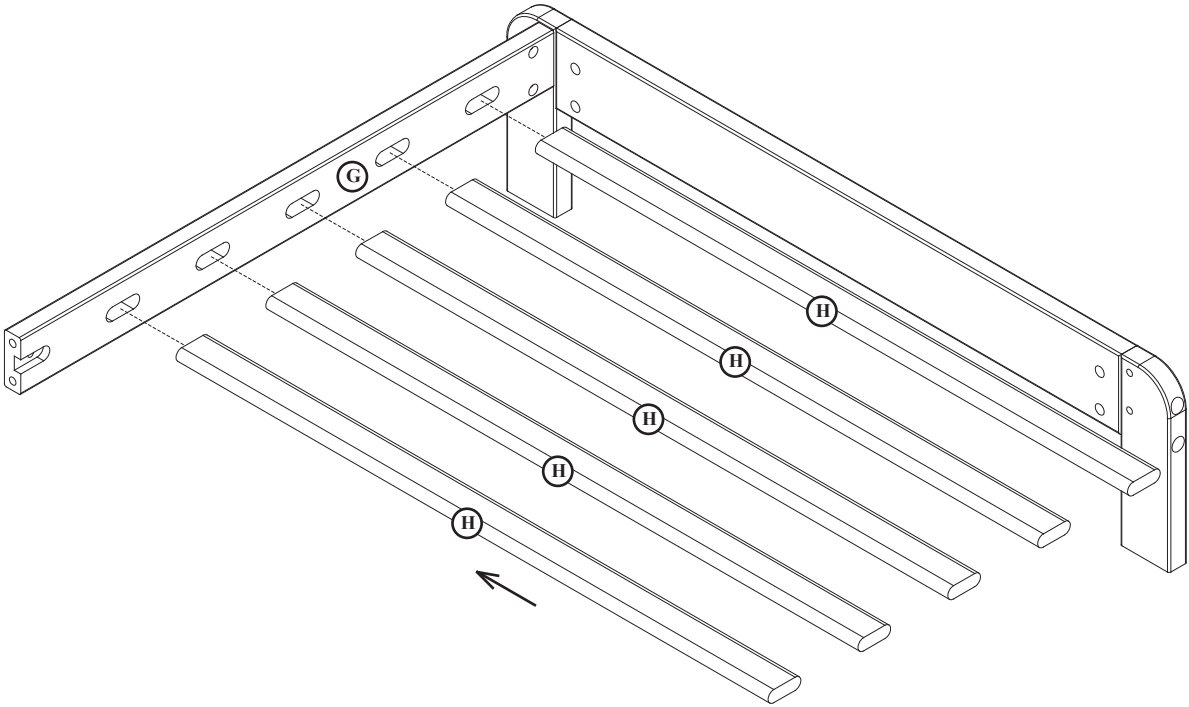
Step 6



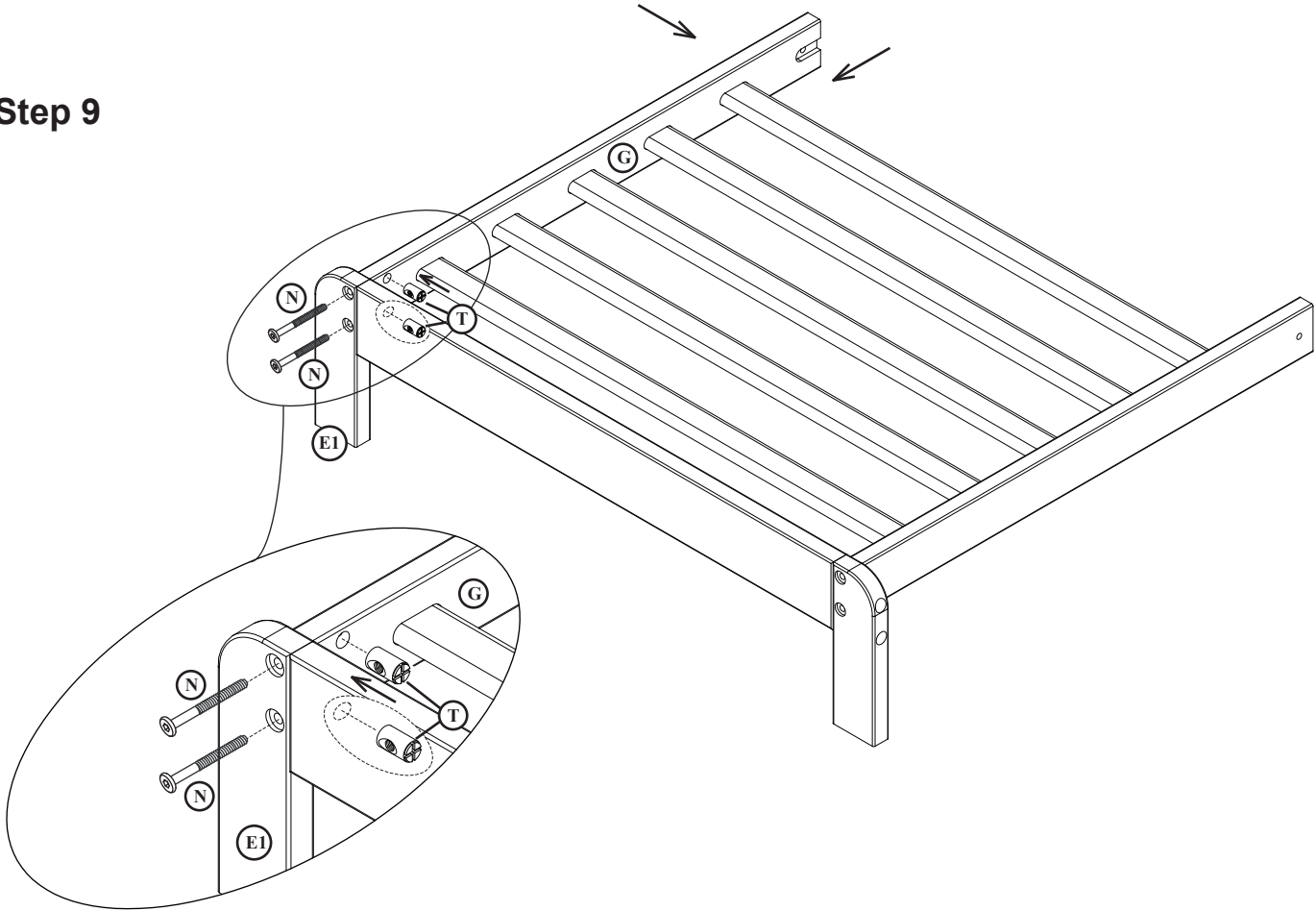
Step 7



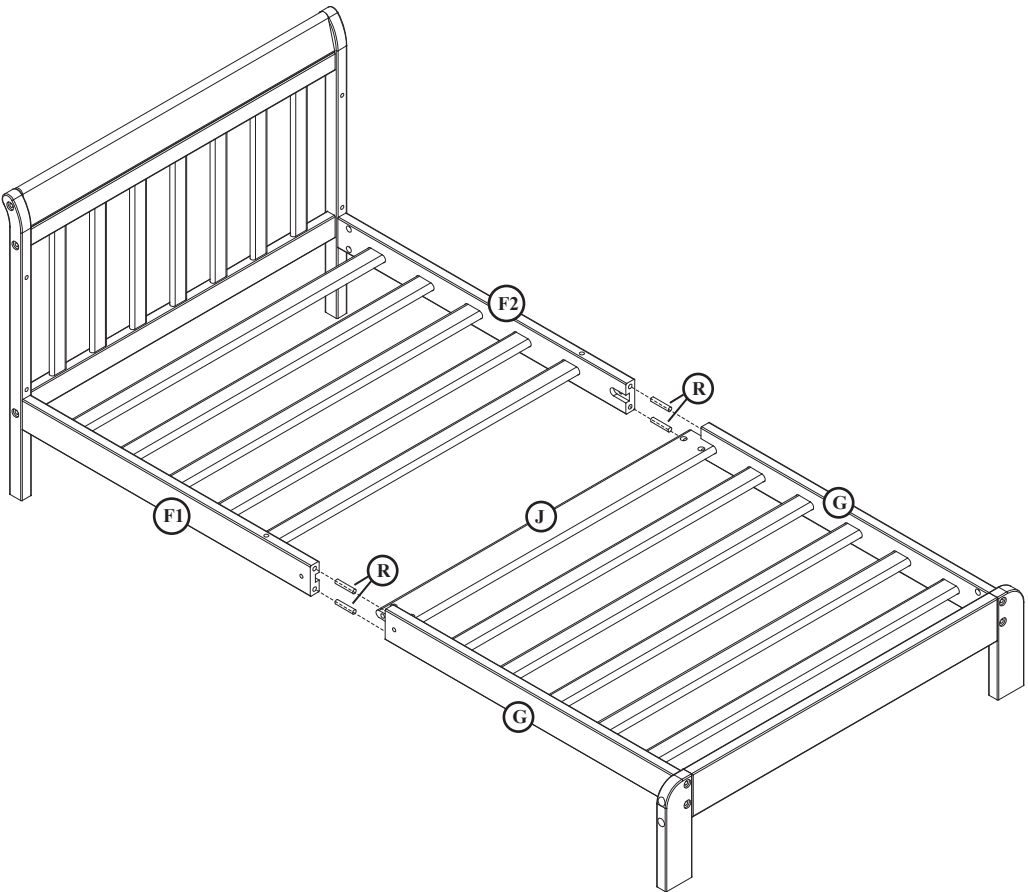
Step 8



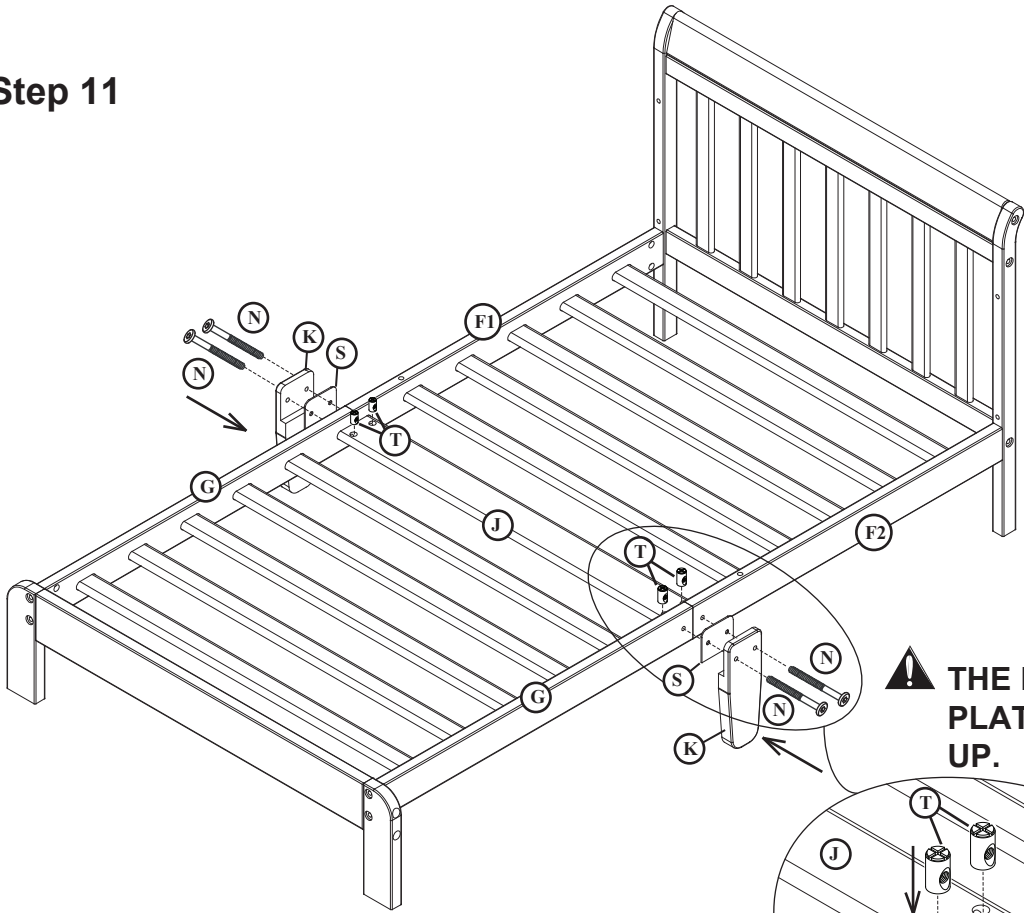
Step 9



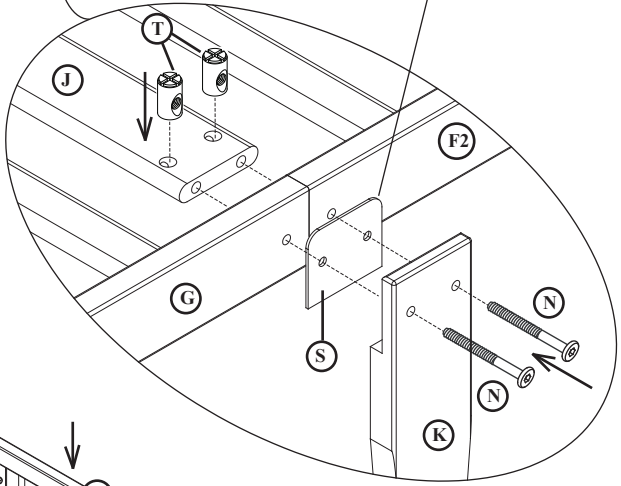
Step 10



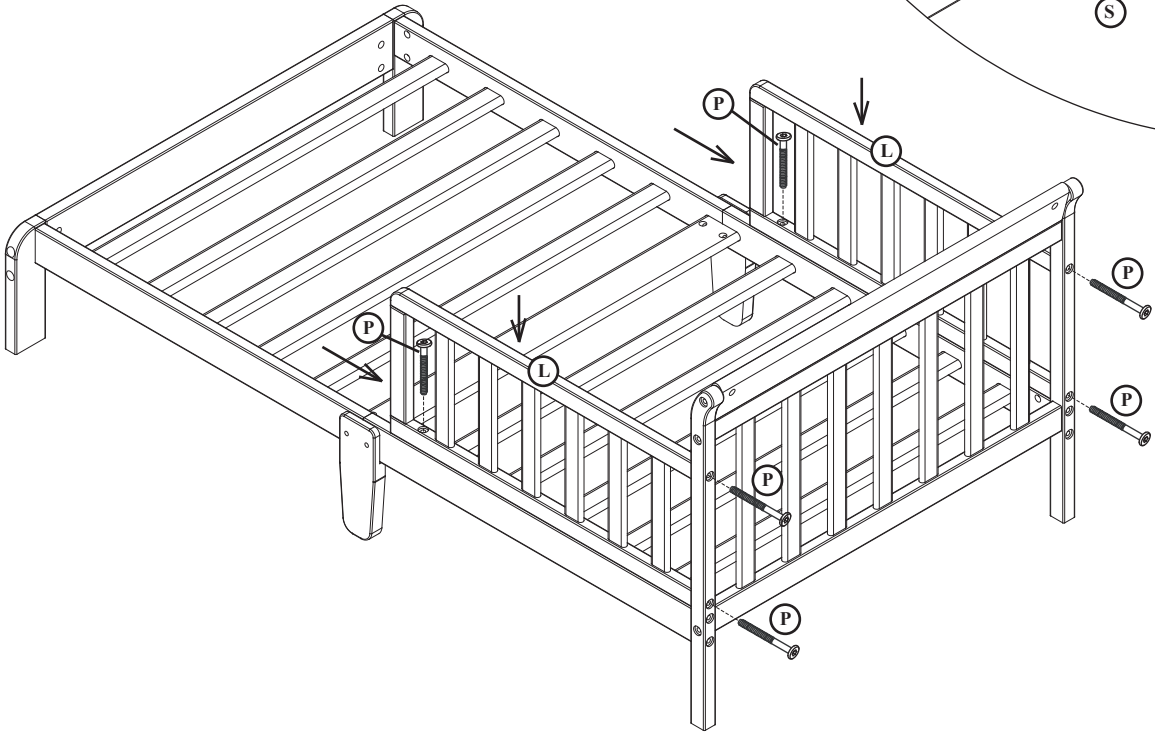
Step 11



⚠ THE ROUND EDGES ON THE PLATE (PART S) MUST FACE UP.



Step 12





Children's Products

Consumer Care:

www.DeltaChildren.com

Delta Children's Products

114 West 26th Street

New York, NY 10001

Tele.212-645-9033

Warranty: This Delta product is warranted to be free from defects for a period of 90 days from the date of purchase under normal use. This warranty extends only to the original retail purchaser and is valid only when supplied with proof of purchase, or if received as a gift, when the registration is on file with Delta.

To register your product for important safety alerts and updates to your product please visit **www.DeltaChildren.com**

Please do not return this item to the store before contacting us about missing parts or with any questions.

To report a problem, please log on to **www.DeltaChildren.com** and click the Consumer Care Tab, or contact us by phone at (212) 645-9033.

In the event that you need to contact our customer service department please have the Style Number and Lot Number available. Use the space below to make note of those numbers. They can be found on the label on the Headboard bottom rail.

STYLE No: 7131

COLOR

REV

FTY

Lot No. : _____

Pack Date: _____

Date of Purchase: _____ (you should also keep your receipt)