

# Delta™

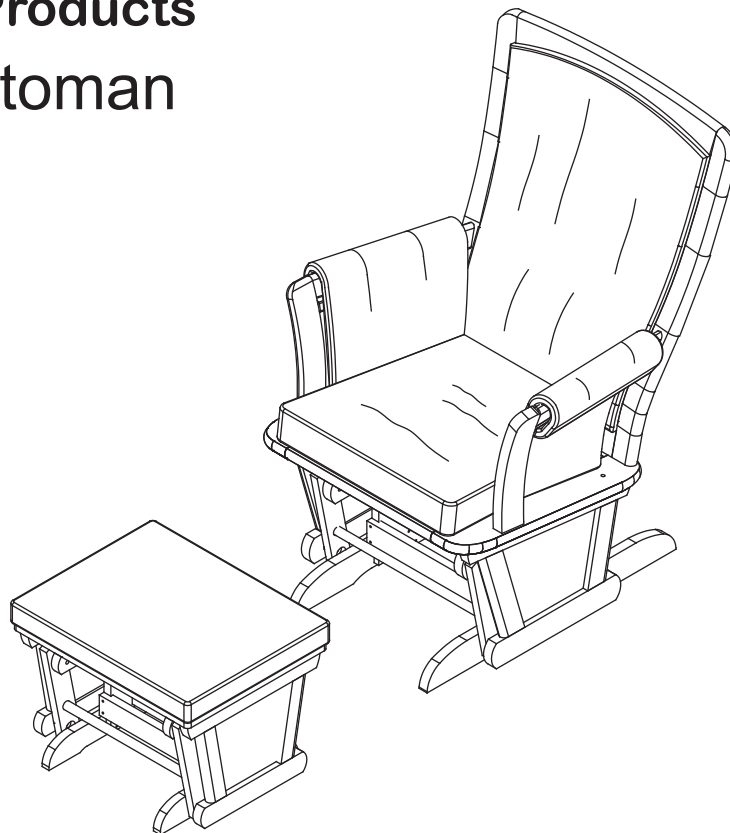
Children's Products

Glider N Ottoman

Read all instructions before assembly and use.  
**KEEP INSTRUCTIONS FOR FUTURE USE.**

**⚠ ADULT ASSEMBLY REQUIRED**

Due to the presence of small parts during assembly, keep out of reach of children until assembly is complete.



**THIS PRODUCT IS NOT INTENDED FOR INSTITUTIONAL OR COMMERCIAL USE.**

Consumer Care:

[www.DeltaChildren.com](http://www.DeltaChildren.com)

Delta Children's Products

114 West 26th Street

New York, NY 10001

Tele.212-645-9033

Style #: \_\_\_\_\_

Lot: \_\_\_\_\_

Date: \_\_\_\_\_



When contacting Delta Consumer Care you will need to reference the above numbers. They can also be found on the label on the bottom of Glider Seat.

To register your product for important safety alerts and updates to your product please visit [www.DeltaChildren.com](http://www.DeltaChildren.com) and click on Product Registration.

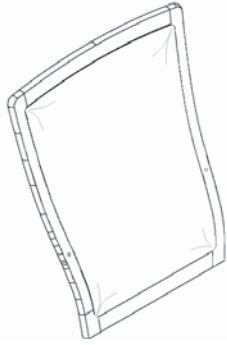
### **FABRIC CARE INSTRUCTIONS:**

- Spot clean only.
- Clean spots as soon as they occur with a fabric safe cleaning product.
- Follow all warnings and instructions on any cleaning product used.
- **DO NOT** use bleach.
- Use only lint free cloths.
- Air dry - **DO NOT** place in sun.
- Machine washing is not recommended.

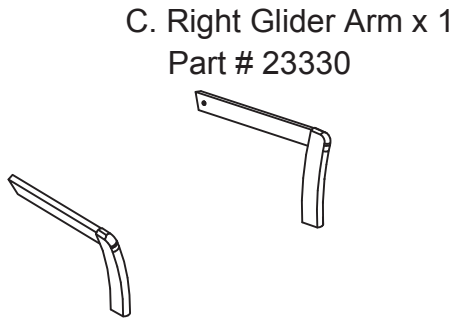
### **Wood:**

- **DO NOT** scratch or chip the finish.
- Inspect periodically, contact Delta Children's Products for replacement parts or questions.
- **DO NOT** store any parts in extreme temperatures and conditions such as a hot attic or a damp, cold basement. These extremes can cause a loss of structural integrity.
- Clean with a damp cloth, then a dry cloth to preserve the original luster and beauty of this fine finish.
- DO NOT** use abrasive chemicals.
- DO NOT** spray cleaners onto furniture.
- Lift slightly when moving on carpeting to prevent leg breakage.
- Use of a vaporizer near furniture will cause wood to swell and finish to peel.

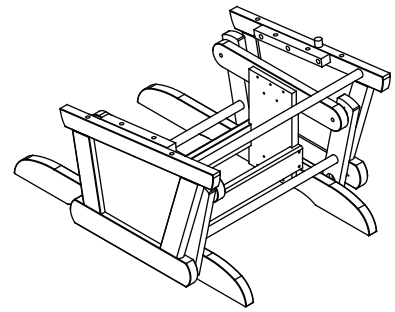
**PARTS:** MAKE SURE THAT ALL PRE-ASSEMBLED PARTS ARE TIGHT.



A. Glider Back Frame x 1  
Part # 23328

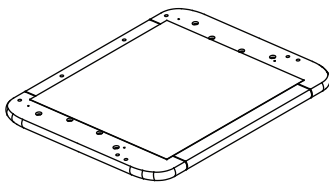


C. Right Glider Arm x 1  
Part # 23330



D. Glider Base x 1  
Part # 23331

B. Left Glider Arm x 1  
Part # 23329



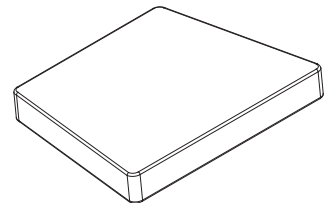
E. Glider Seat x 1  
Part # 23332



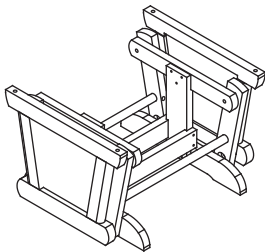
F. Left Glider Arm  
Cushion x 1  
Part # 23333



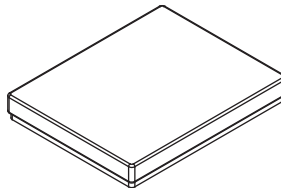
G. Right Glider Arm  
Cushion x 1  
Part # 23334



H. Glider Seat  
Cushion x 1  
Part # 23335



J. Ottoman Base x 1  
Part # 23336

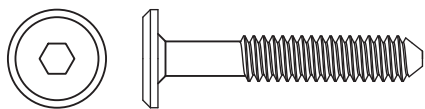


K. Ottoman Cushion x 1  
Part # 23337

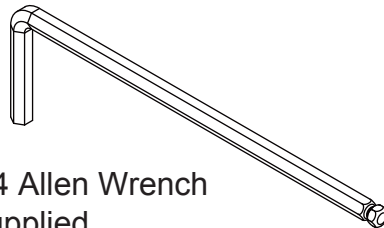
No drills necessary. Do not use power screwdriver.

Flat Head Screwdriver (not supplied)

HARDWARE KIT IS PART # 22289 FOR COLOR 646 OR #22290 FOR COLOR 266 OR #22291 FOR COLOR 296. SEE FRONT COVER.



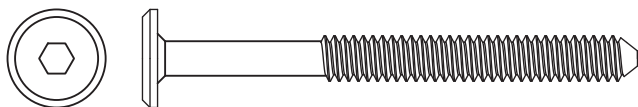
M. 1/4" x 1-3/8" Bolt x 20  
Part # 5526



M4 Allen Wrench  
Supplied  
Part # 1177



L. Bottom Glides x 4  
Part # 5532



N. 1/4" x 2-1/2" Bolt x 2  
Part # 5530

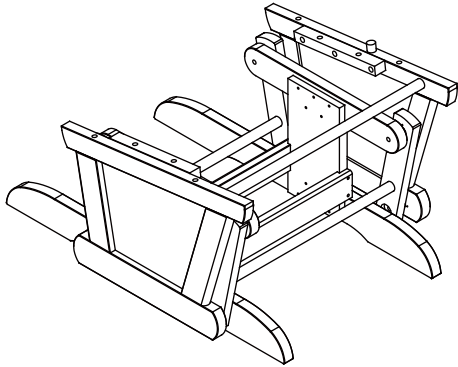


P. 1/4" x 1/2" Barrel Nut x 2  
Part # 5528

# Section 1: Glider Assembly

## Step 1

Parts and tools required to complete step.

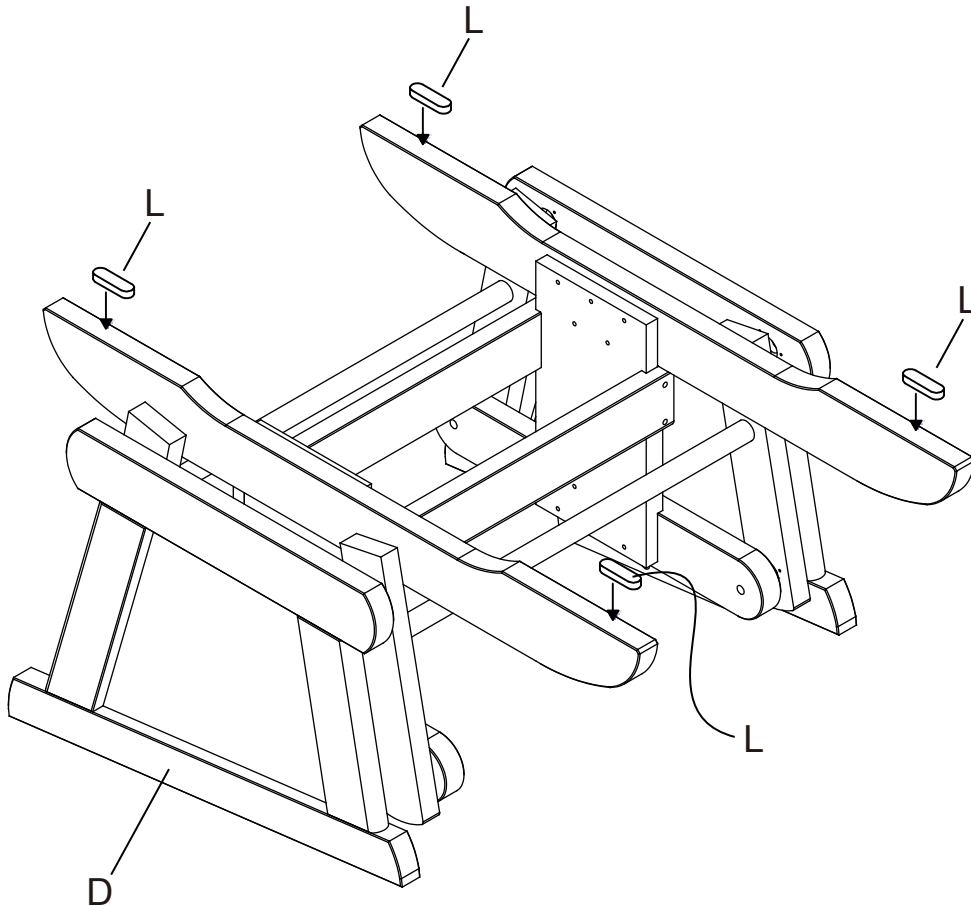


D. Glider Base x 1



L. Bottom Glides x 4

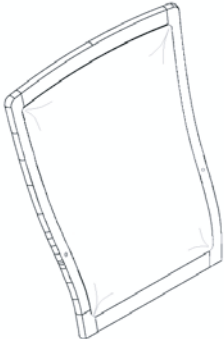
Turn the Glider Seat Base (Part D) over, then attach the Bottom Glides (Part L) as shown. Remove the blacking strip from one glide at a time and adhere the glide to the base, repeat for all 4 glides.



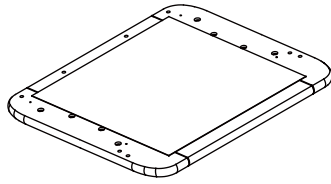
# Section 1: Glider Assembly

## Step 2

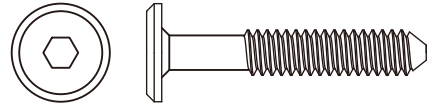
Parts and tools required to complete step.



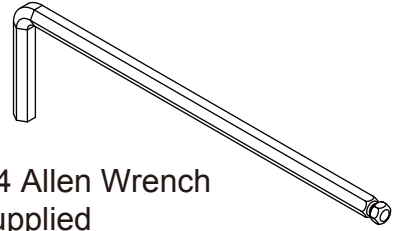
A. Glider Back Frame x 1



E. Glider Seat x 1

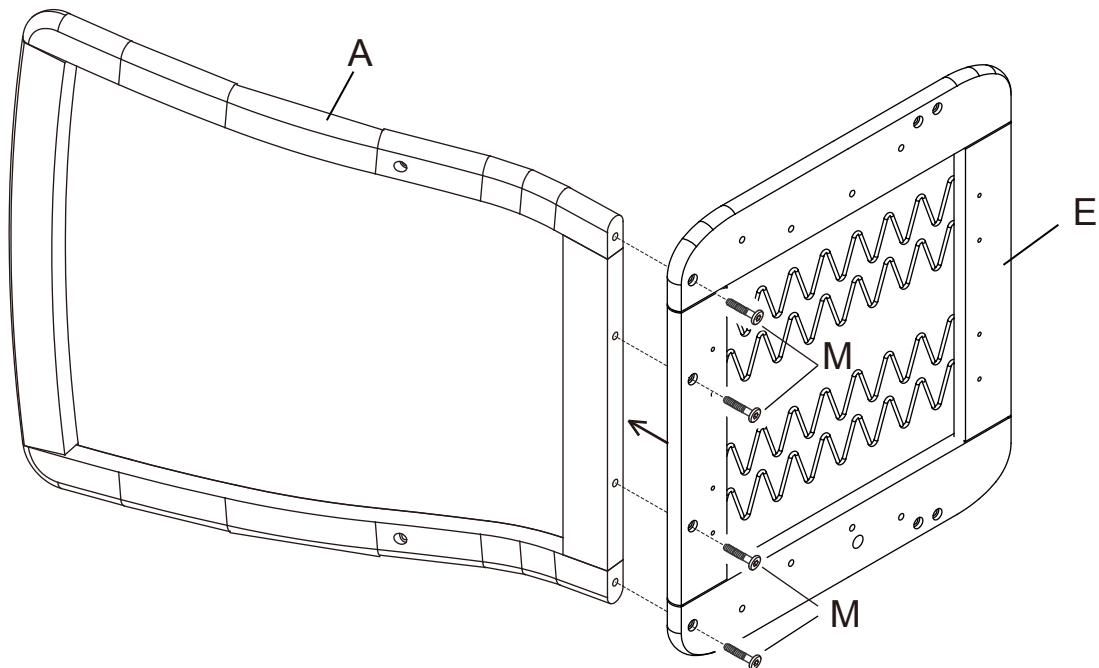


M. 1/4" x 1-3/8" Bolt x 4



M4 Allen Wrench  
Supplied

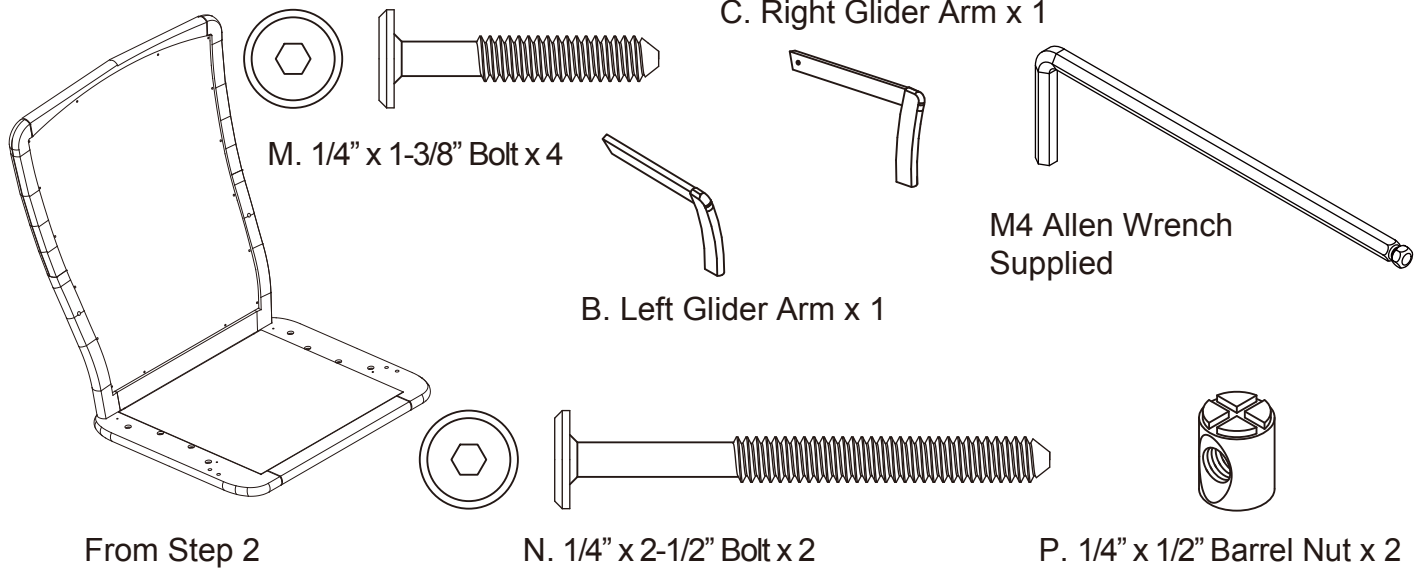
Attach the Glider Back Frame (Part A) to the Glider Seat (Part E) using (4) 1/4" x 1-3/8" Bolts (Part M), Tighten with the M4 Allen Wrench.



# Section 1: Glider Assembly

## Step 3

Parts and tools required to complete step.



Attach the Left Glider Arm (Part B) and the Right Glider Arm (Part C) to the Glider Seat using (2) 1/4" x 1-3/8" Bolts (Part M) each (Figure A).

**Do not tighten bolts.** Install a Barrel Nut (Part P) in the hole at the back of each arm (Figure B). Install (2) 1/4" x 2-1/2" Bolts (Part N) as shown in Figure C. Tighten all bolts with the M4 Allen Wrench. Use the Flat Head Screwdriver to hold the Barrel Nut in the proper alignment.

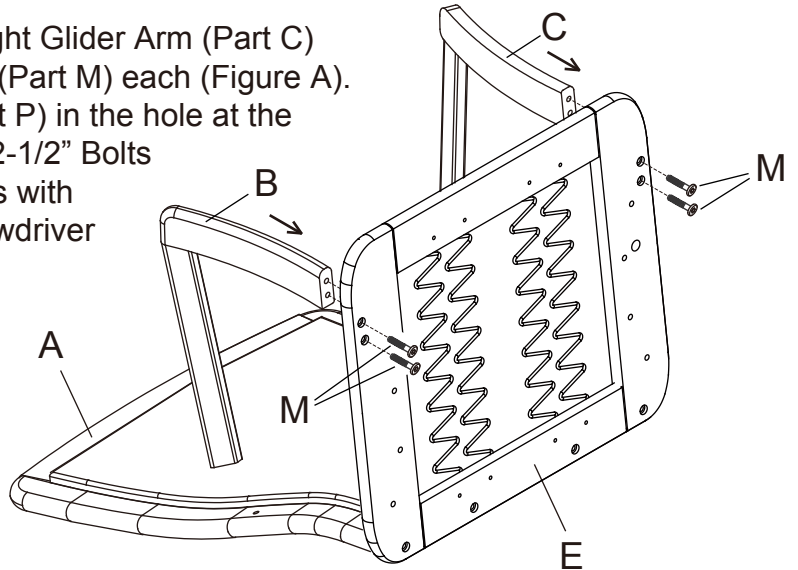


FIGURE A

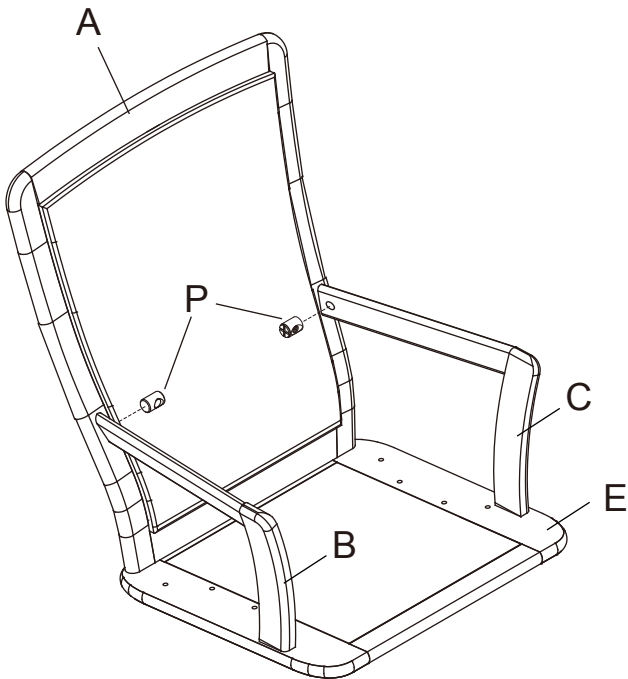


FIGURE B

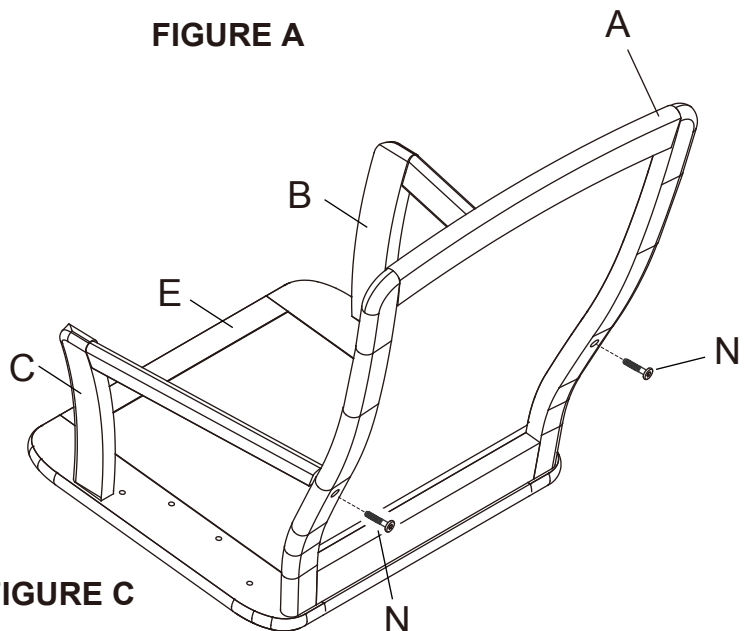
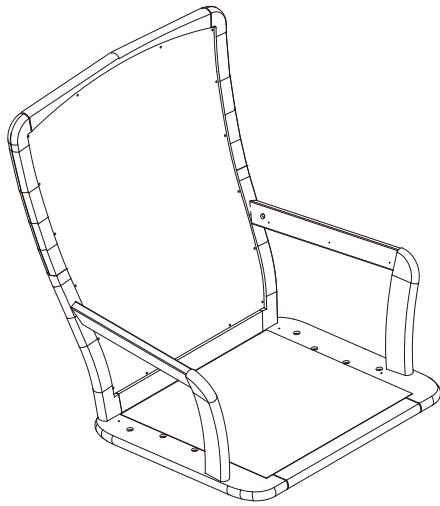


FIGURE C

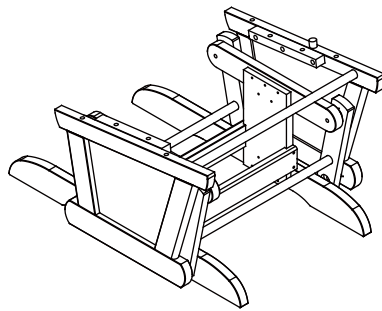
# Section 1: Glider Assembly

## Step 4

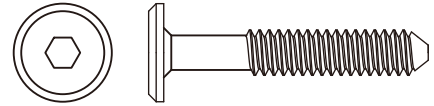
Parts and tools required to complete step.



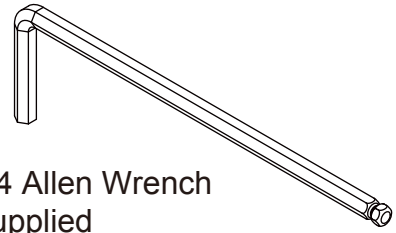
From Step 3



D. Glider Base x 1



M. 1/4" x 1-3/8" Bolt x 8



M4 Allen Wrench  
Supplied

Attach the assembly from step 3 to the Glider Base (Part D) using (8) 1/4" x 1-3/8" Bolts (Part M) as shown in Figure A & B. Tighten with the M4 Allen Wrench.

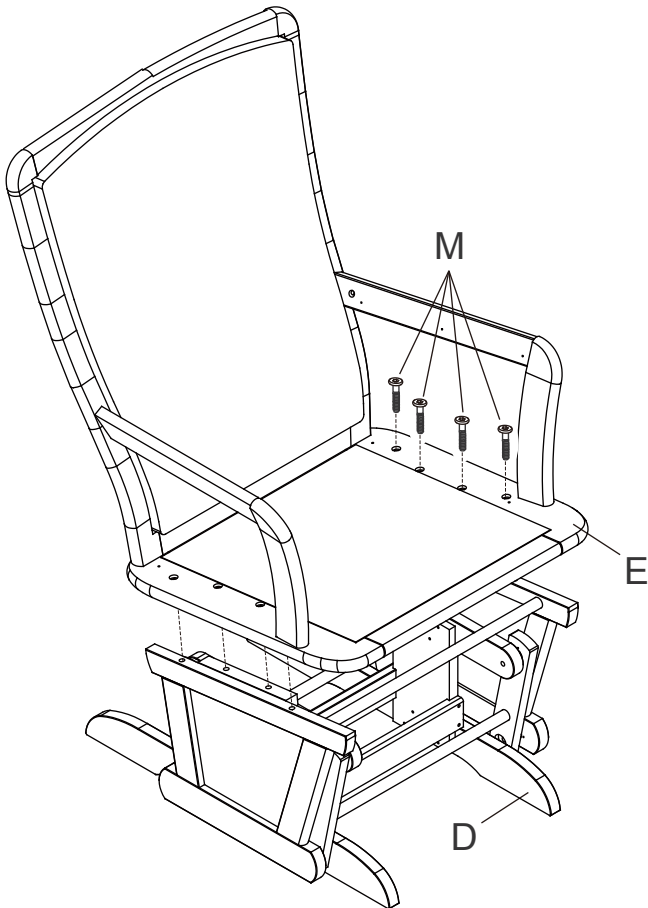


FIGURE A

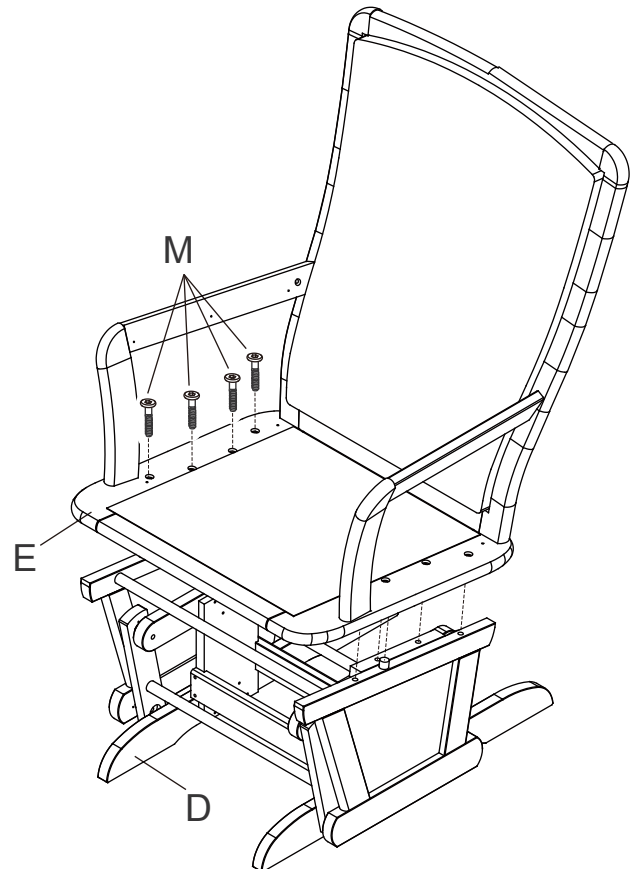


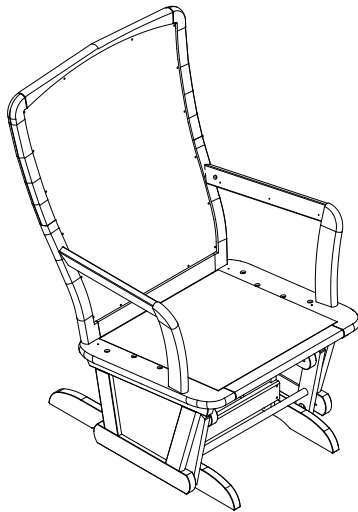
FIGURE B

# Section 1: Glider Assembly

## Step 5

Parts and tools required to complete step.

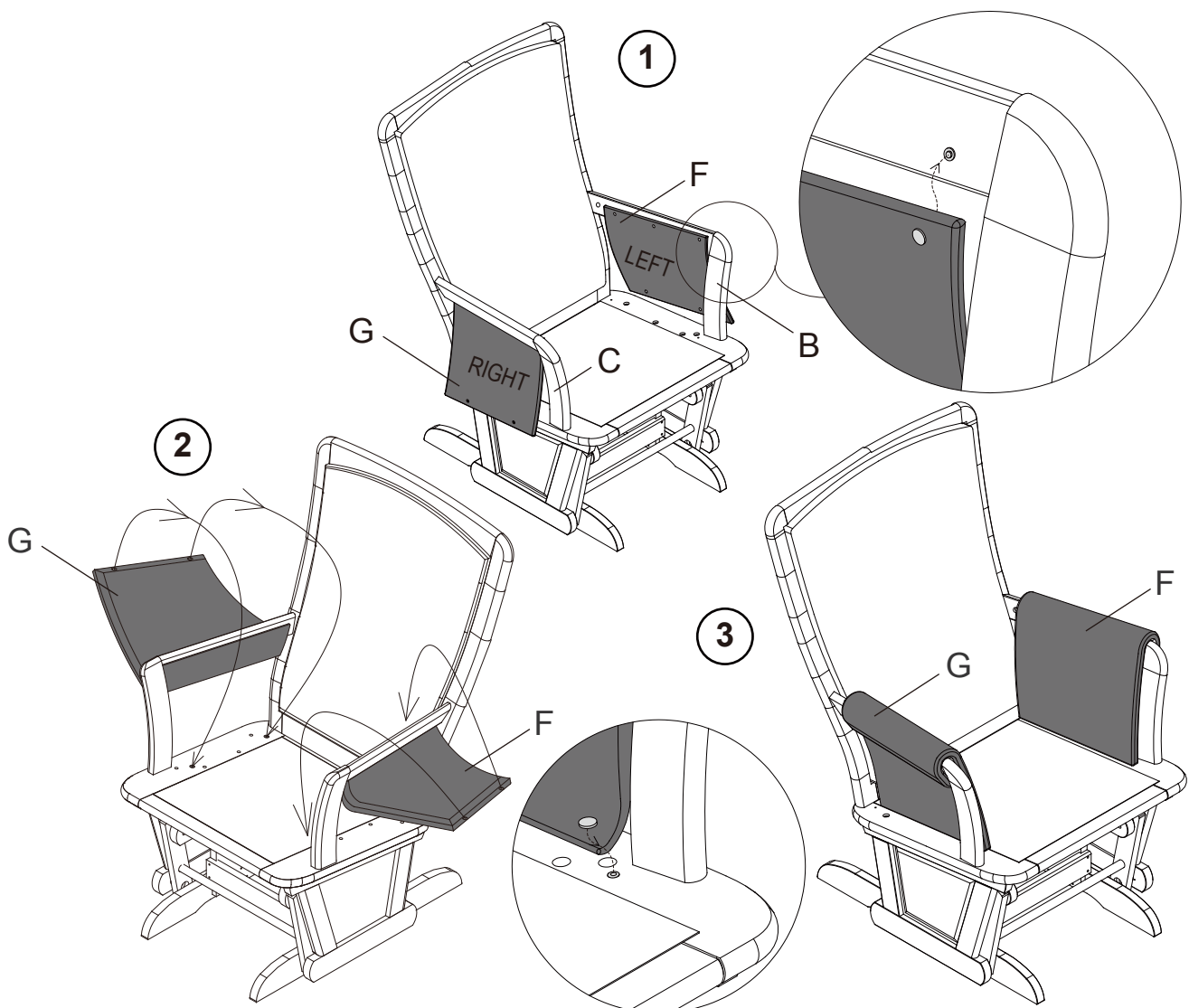
From Step 4



F. Left Glider Arm Cushion x 1

G. Right Glider Arm Cushion x 1

Attach (1) Left Glider Arm Cushion (Part F) to the Left Glider Arm with the snaps on the Glider Arm Cushion facing up, slide the Glider Arm Cushion under the Glider Arm and snap all (3) snaps into place. Fold the Glider Arm Cushion at the bottom of the Glider Arm Pad to the Glider Seat. Repeat on the other Glider Arm.



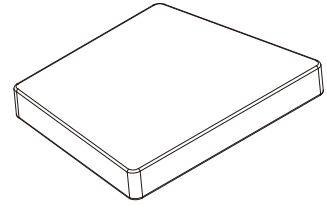
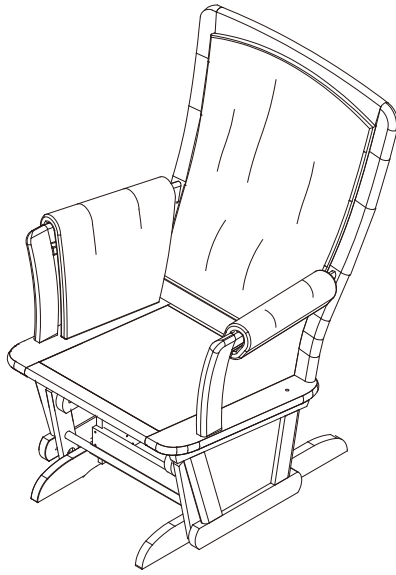


# Section 1: Glider Assembly

## Step 6

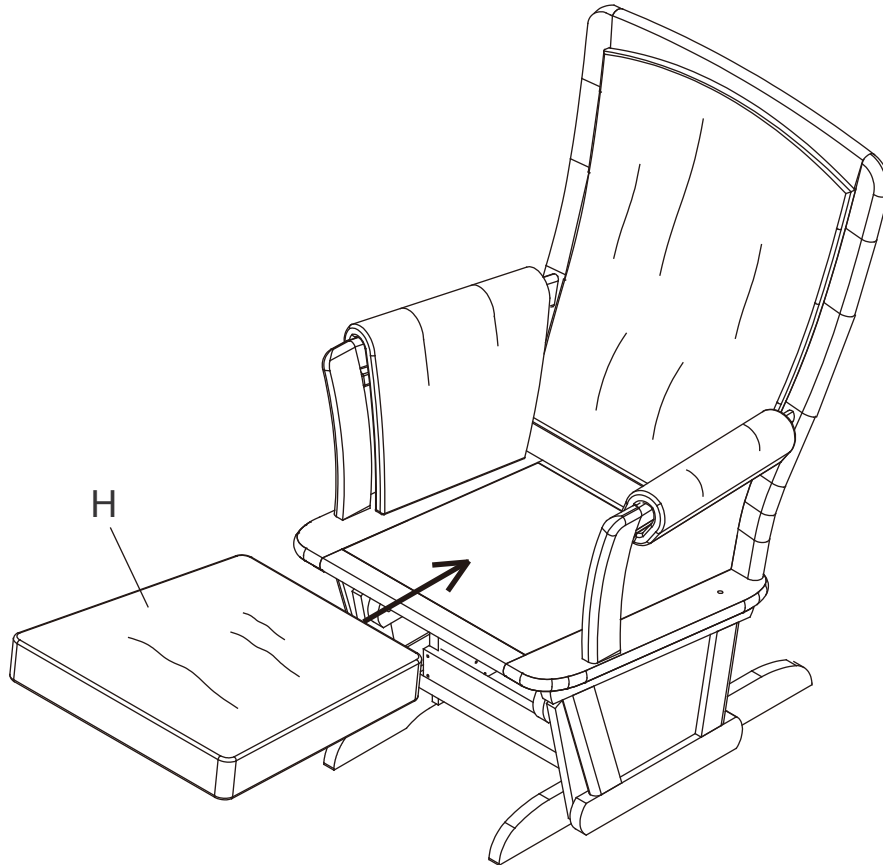
Parts and tools required to complete step.

From Step 5



H. Glider Seat Cushion x 1

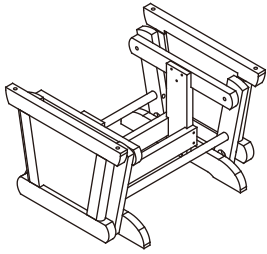
Attach the Glider Seat Cushion (Part H) into the Glider as shown.



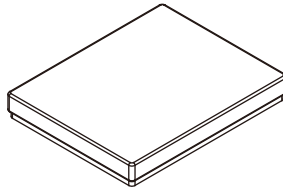
## Section 2: Ottoman Assembly

### Step 1

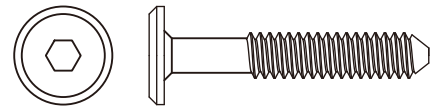
Parts and tools required to complete step.



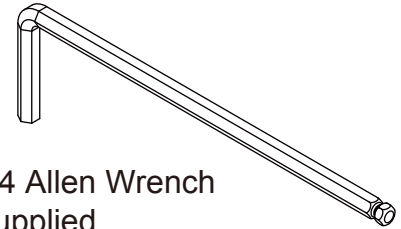
J. Ottoman Base x 1



K. Ottoman Cushion x 1

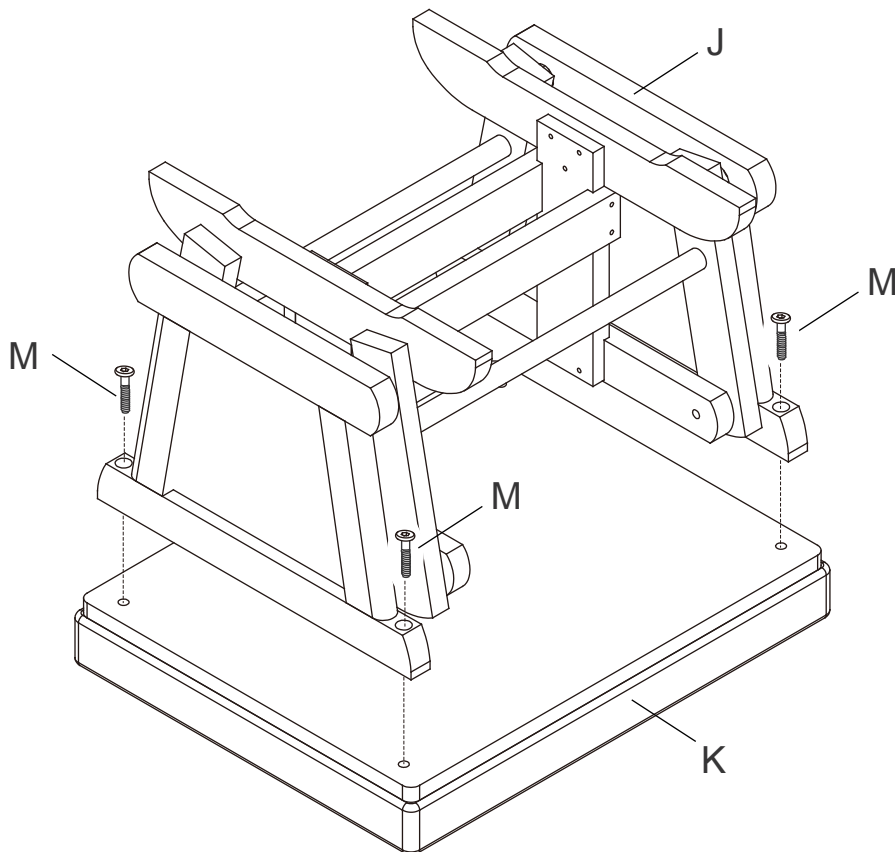


M. 1/4" x 1-3/8" Bolt x 4



M4 Allen Wrench  
Supplied

Attach the Ottoman Cushion (Part K) to the Ottoman Base (Part J) using (4) 1/4" x 1-3/8" Bolts (Part M), Tighten with the M4 Allen Wrench.





**Children's Products**

Consumer Care:

[www.DeltaChildren.com](http://www.DeltaChildren.com)

Delta Children's Products

114 West 26th Street

New York, NY 10001

Tele.212-645-9033

**Warranty:** This Delta product is warranted to be free from defects for a period of 90 days from the date of purchase under normal use. This warranty extends only to the original retail purchaser and is valid only when supplied with proof of purchase, or if received as a gift, when the registration is on file with Delta.

To register your product for important safety alerts and updates to your product please visit [www.DeltaChildren.com](http://www.DeltaChildren.com)

Please do not return this item to the store before contacting us about missing parts or with any questions.

To report a problem, please log on to [www.DeltaChildren.com](http://www.DeltaChildren.com) and click the Consumer Care Tab, or contact us by phone at (212) 645-9033.

In the event that you need to contact our customer service department please have the Style Number and Lot Number available. Use the space below to make note of those numbers. They can be found on the label on the bottom of Glider Seat.

**STYLE No: 70927**

COLOR

REV

FTY

Lot No. : \_\_\_\_\_

Pack Date: \_\_\_\_\_

Date of Purchase: \_\_\_\_\_ (you should also keep your receipt)