

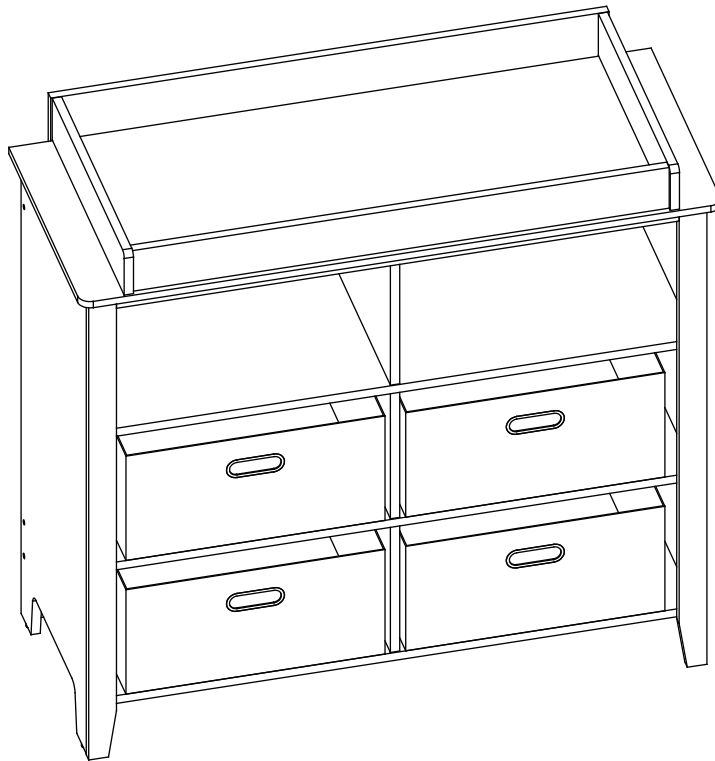
READ ALL INSTRUCTIONS BEFORE
ASSEMBLY AND USE.
KEEP INSTRUCTIONS FOR FUTURE USE.
⚠️ **ADULT ASSEMBLY REQUIRED**
DUE TO THE PRESENCE OF SMALL PARTS
DURING ASSEMBLY, KEEP OUT OF REACH OF
CHILDREN UNTIL ASSEMBLY IS COMPLETE.



Delta™

Children's Products

Consumer Care:
www.deltachildrenproducts.com
Delta Children's Products
114 West 26th Street
New York, NY 10001
Tele. 212-645-9033



STYLE No: 70843



COLOR



REV



FTY

THIS PRODUCT IS NOT INTENDED FOR INSTITUTIONAL OR COMMERCIAL USE.

If you have any questions or missing parts, contact us. DO NOT return product parts to the store from where it was purchased before contacting Delta Children's Products Customer Service. Make sure that all preassemble parts are tight. The appearance of your product may be different from that pictured in this booklet.

To register your product for important safety alerts and updates to your product please visit www.deltachildrenproducts.com

WARNING

Serious or fatal crushing injuries can occur from furniture tip-over. To help prevent tip-over:

- Place heaviest items in the lowest areas of the unit.
- Do not set TV's or other heavy objects on the top of this product.
- Never allow children to climb or hang on drawers, doors, or shelves.

Use of tip-over restraints may only reduce, but not eliminate, the risk of tip-over.

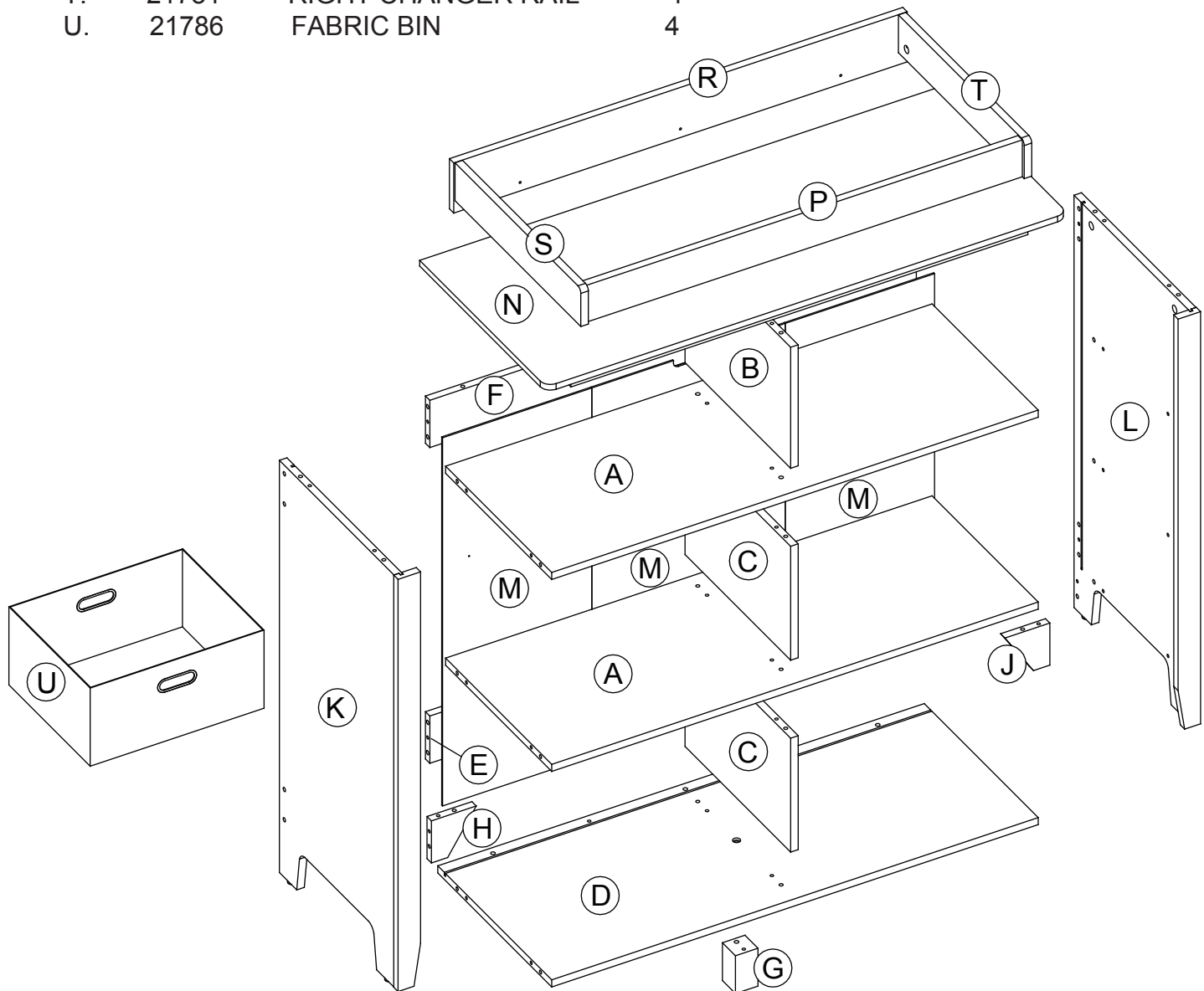
- Always monitor your child's activity when in the nursery.
- Do not allow standing on shelves.
- Do not allow standing on top of this product.
- Accessory Items must be securely fastened to this product according to the instructions provided with those items.
- Bins must be within the unit when not in use.
- IMPORTANT: The tip-over restraint strap must be snug when installation is complete. Pull the case away from the wall to ensure the strap is snug.

WARNING

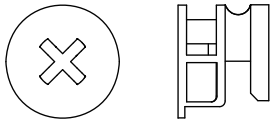
- Fall hazard - To prevent death or serious injury, always keep child within arm's reach.
- Read all instructions before use of the Dress Kit.
- Keep these instructions in a safe place for future use.
- Inspect the Dress Kit periodically. Do not use the Dress Kit if it is damaged or broken.
- Tighten all loose screws and bolts before each use.
- The maximum recommended weight for the Dress Kit occupant is 30 lbs (13.6kg).
- The changing pad used should be 34" x 16" with a maximum thickness of 1".
- The dress kit included is intended to be used only when assembled with the entire unit, as indicated in the assembly instructions. **DO NOT** use the dress kit on any other surface.
- ALWAYS** secure this Dress Kit to the base unit of Delta Children's Products Item 70843.
- DO NOT** use with any other piece of furniture. See Instructions!

PARTS: MAKE SURE THAT ALL PRE-ASSEMBLED PARTS ARE TIGHT.

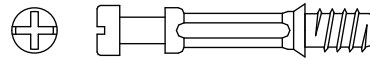
ITEM	PART #	DESCRIPTION	QUANTITY
A.	21765	SHELF	2
B.	21766	TOP DIVIDER	1
C.	21767	BOTTOM DIVIDER	2
D.	21768	BOTTOM PANEL	1
E.	21769	BACK FRAME BOTTOM	1
F.	21770	BACK FRAME TOP	1
G.	21771	CENTER SUPPORT FOOT	1
H.	21772	BACK LEFT FOOT	1
J.	21773	BACK RIGHT FOOT	1
K.	21774	LEFT SIDE	1
L.	21775	RIGHT SIDE	1
M.	21776	BACK PANEL	1
N.	21777	TOP PANEL	1
P.	21778	FRONT CHANGER RAIL	1
R.	21779	BACK CHANGER RAIL	1
S.	21780	LEFT CHANGER RAIL	1
T.	21781	RIGHT CHANGER RAIL	1
U.	21786	FABRIC BIN	4



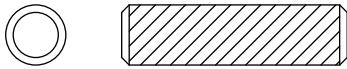
PARTS: HARDWARE KIT IS PART # 21782 FOR COLOR 645 OR # 21785 FOR COLOR 245.
SEE FRONT COVER.



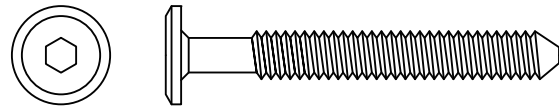
V. CAM LOCK x 43



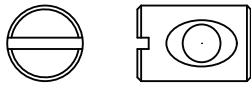
W. CAM BOLT x 43



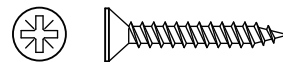
Y. Φ8x30 mm WOOD DOWEL x 45



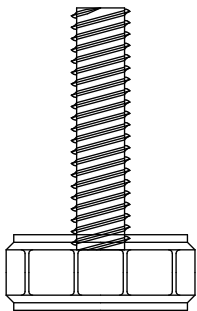
Z. M6 x 50 mm BOLT x 9



AA. BARREL NUT x 9



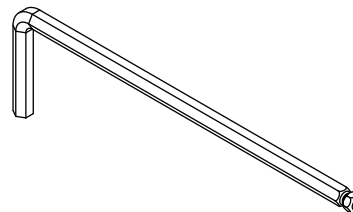
CC. 25 mm FLAT HEAD
WOOD SCREW x 3



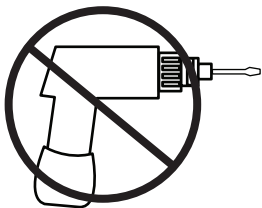
FF. LEVELER x 1



DD. 15 mm UMBRELLA HEAD
WOOD SCREW x 12



M4 ALLEN WRENCH SUPPLIED



No drills necessary. Do not
use power screwdriver.

REQUIRED TOOLS

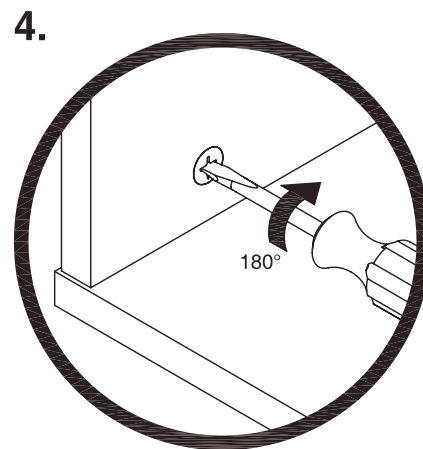
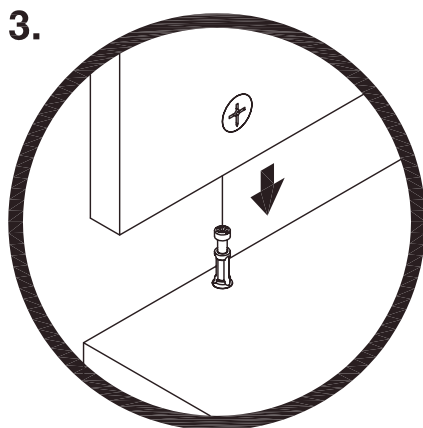
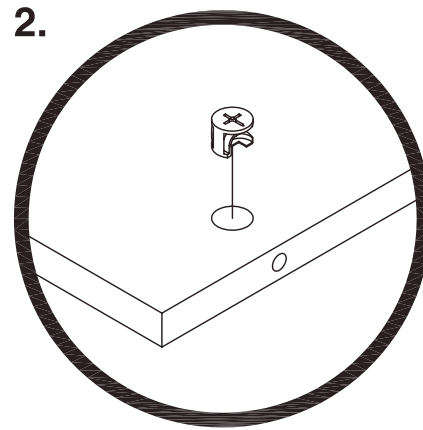
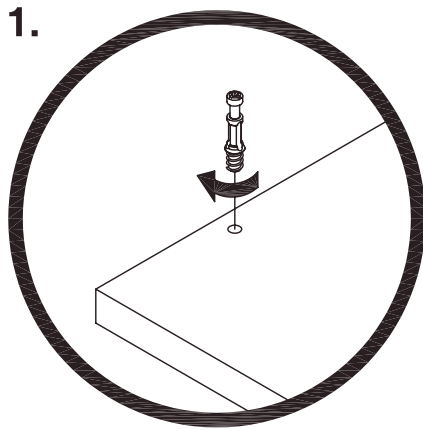


PHILLIPS SCREWDRIVER
NOT SUPPLIED



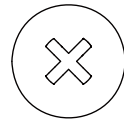
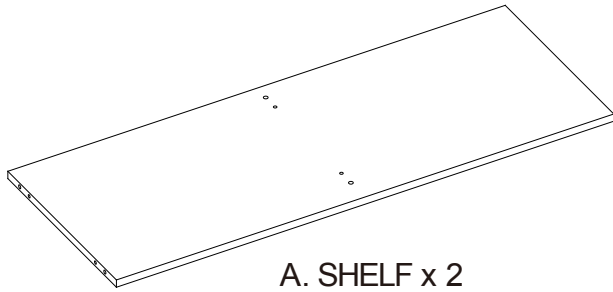
FLAT HEAD SCREWDRIVER
NOT SUPPLIED

how to use the cam lock system

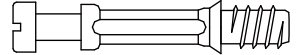
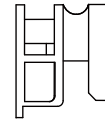


STEP 1

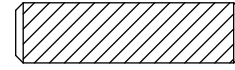
PARTS AND TOOLS REQUIRED TO COMPLETE STEP



V. CAM LOCK x 8

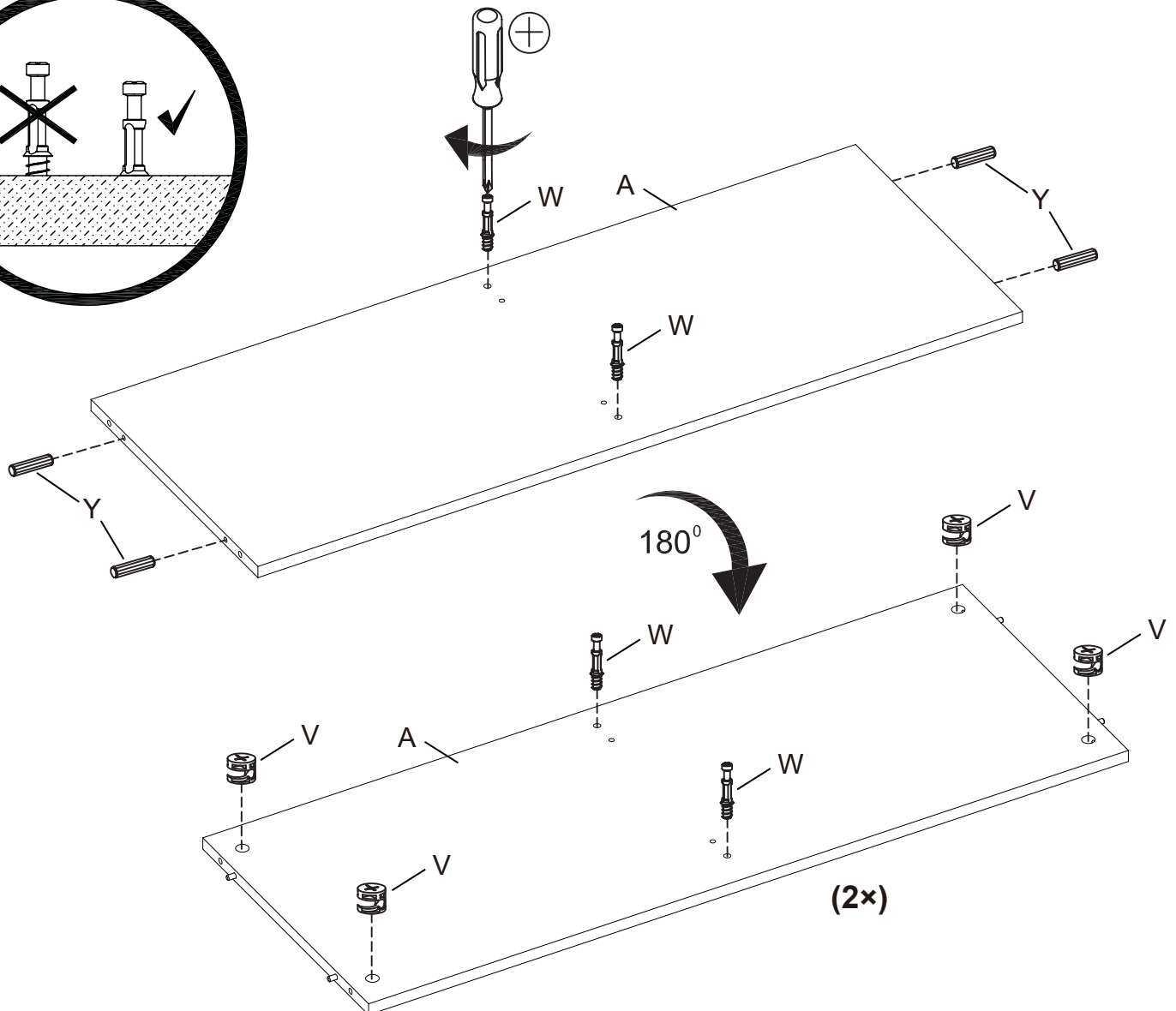
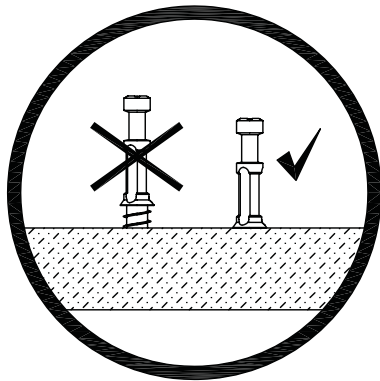


W. CAM BOLT x 8



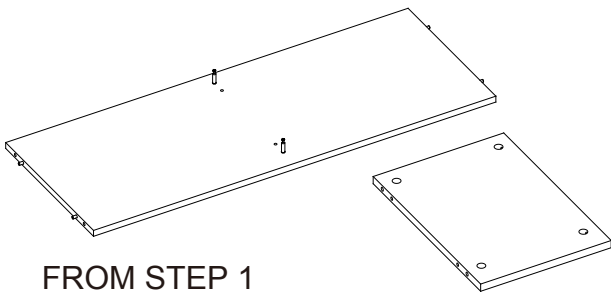
Y. Φ8x30 mm WOOD DOWEL x 8

1. CAREFULLY TAP SMALL WOODEN DOWELS INTO PLACE. LEAVE 1/2" OF THE DOWELS STICKING OUT.
2. INSERT THE CAMS.
3. CAM BOLTS MUST BE SCREWED DOWN FLUSH.
4. REFER TO PAGE 5 FOR INSTRUCTIONS ON HOW TO USE THE CAM LOCK SYSTEM.



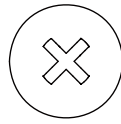
STEP 2

PARTS AND TOOLS REQUIRED TO COMPLETE STEP

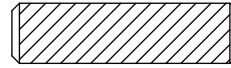
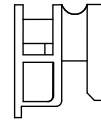


FROM STEP 1

B. TOP DIVIDER x 1

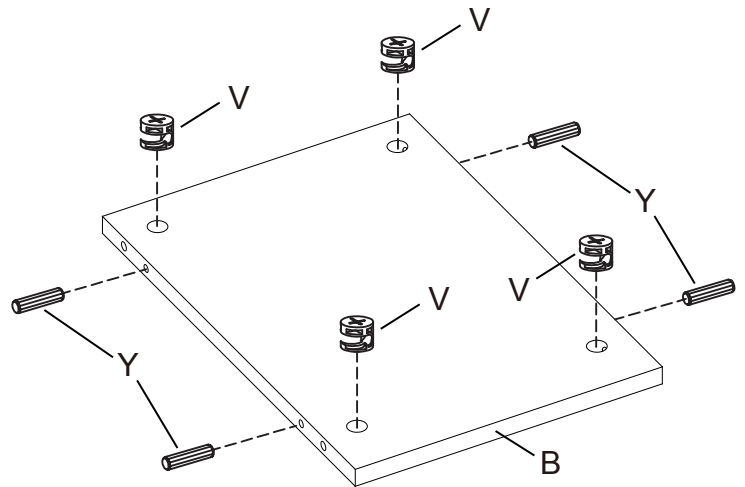
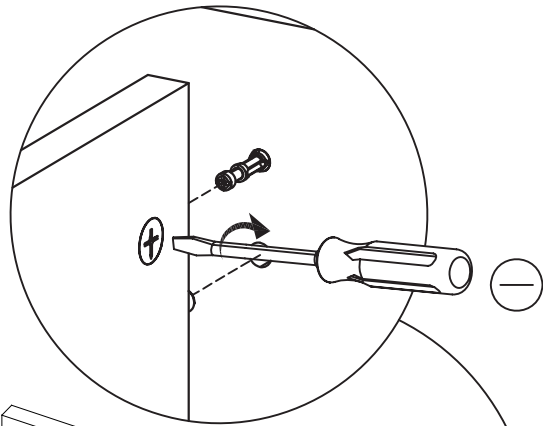


V. CAM LOCK x 4



Y. $\Phi 8 \times 30$ mm WOOD DOWEL x 4

1. CAREFULLY TAP SMALL WOODEN DOWELS INTO PLACE. LEAVE 1/2" OF THE DOWELS STICKING OUT.
2. INSERT THE CAMS.
3. REFER TO PAGE 5 FOR INSTRUCTIONS ON HOW TO USE THE CAM LOCK SYSTEM.



Please make sure cam locks are on the other side

Please make sure finished surface is facing the front

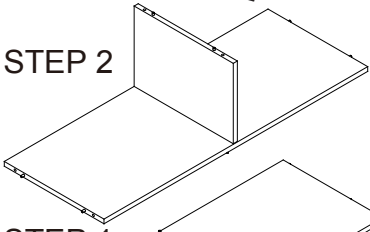
B

A

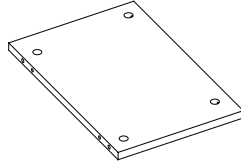
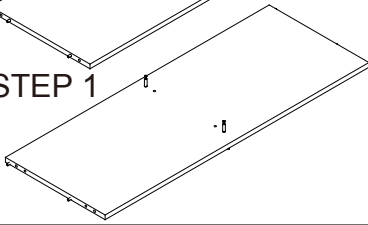
STEP 3

PARTS AND TOOLS REQUIRED TO COMPLETE STEP

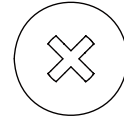
FROM STEP 2



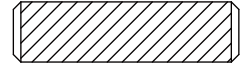
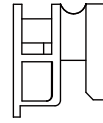
FROM STEP 1



C. BOTTOM DIVIDER x 2

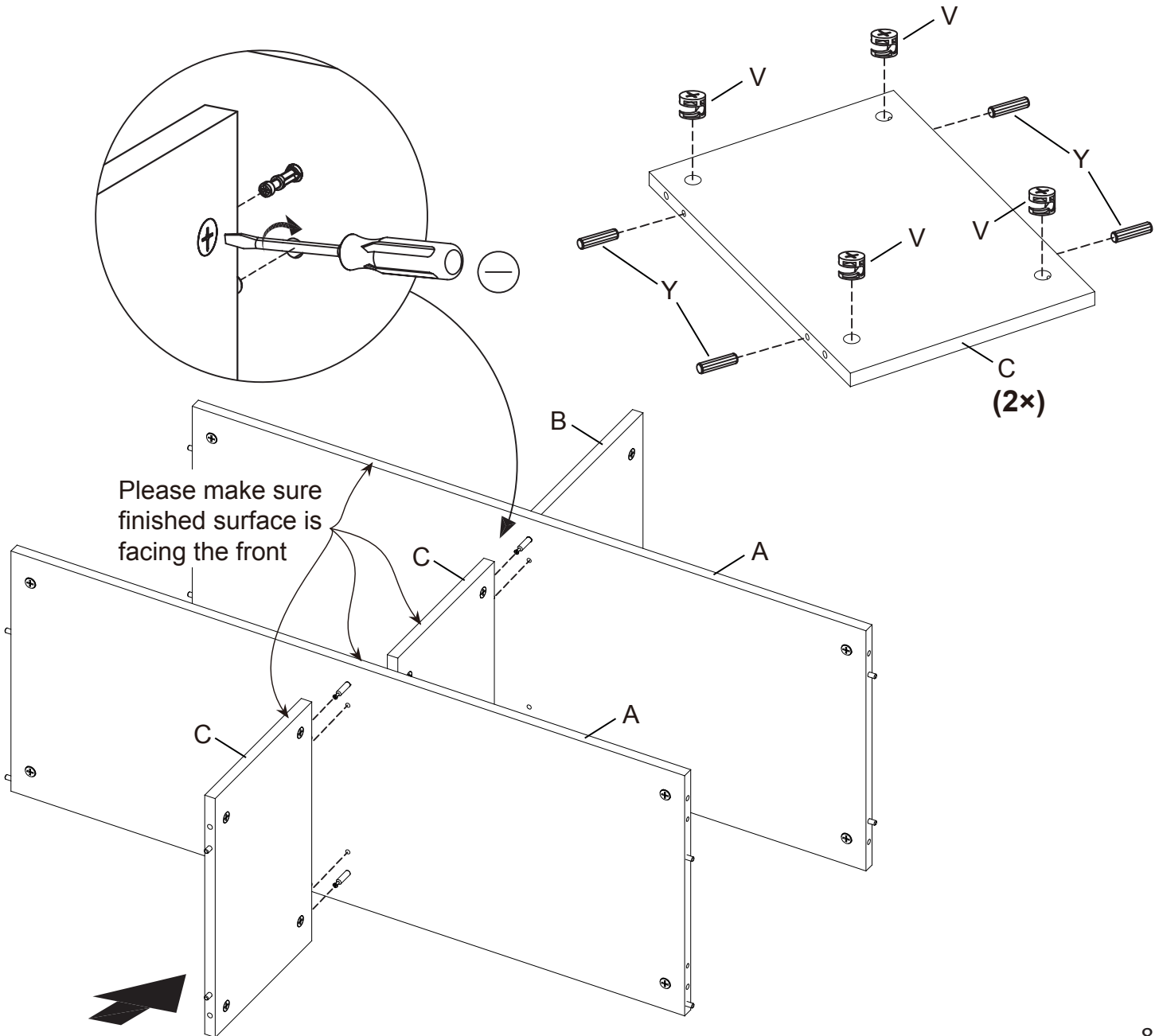


V. CAM LOCK x 8



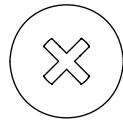
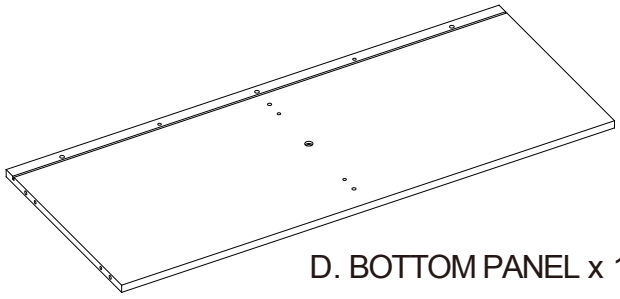
Y. $\Phi 8 \times 30$ mm WOOD DOWEL x 8

1. CAREFULLY TAP SMALL WOODEN DOWELS INTO PLACE. LEAVE 1/2" OF THE DOWELS STICKING OUT.
2. INSERT THE CAMS.
3. REFER TO PAGE 5 FOR INSTRUCTIONS ON HOW TO USE THE CAM LOCK SYSTEM.

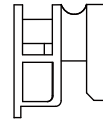


STEP 4

PARTS AND TOOLS REQUIRED TO COMPLETE STEP



V. CAM LOCK x 4

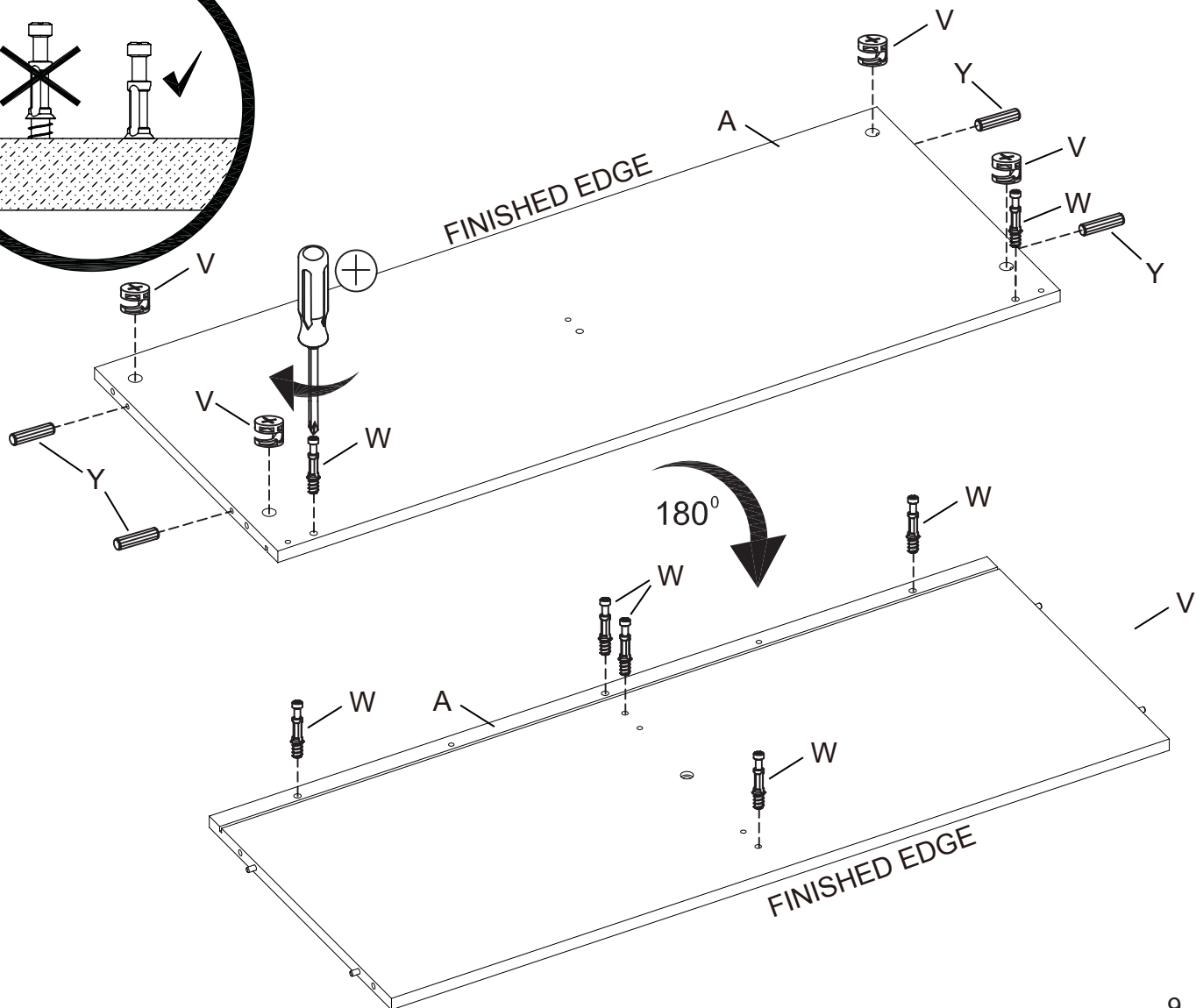
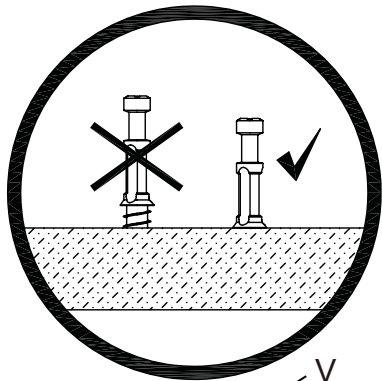


W. CAM BOLT x 7



Y. $\Phi 8 \times 30$ mm WOOD DOWEL x 4

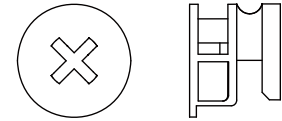
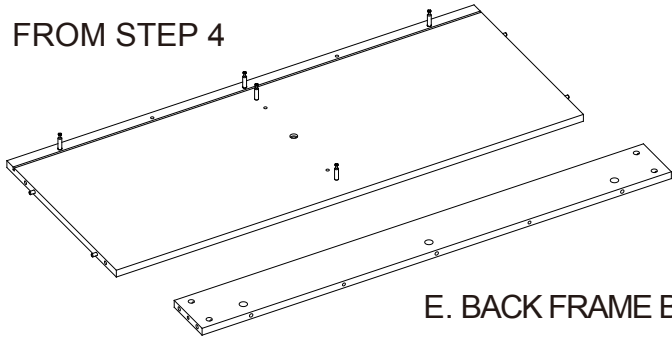
1. CAREFULLY TAP SMALL WOODEN DOWELS INTO PLACE. LEAVE 1/2" OF THE DOWELS STICKING OUT.
2. INSERT THE CAMS.
3. CAM BOLTS MUST BE SCREWED DOWN FLUSH.
4. REFER TO PAGE 5 FOR INSTRUCTIONS ON HOW TO USE THE CAM LOCK SYSTEM.



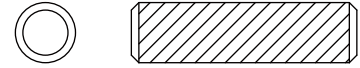
STEP 5

PARTS AND TOOLS REQUIRED TO COMPLETE STEP

FROM STEP 4

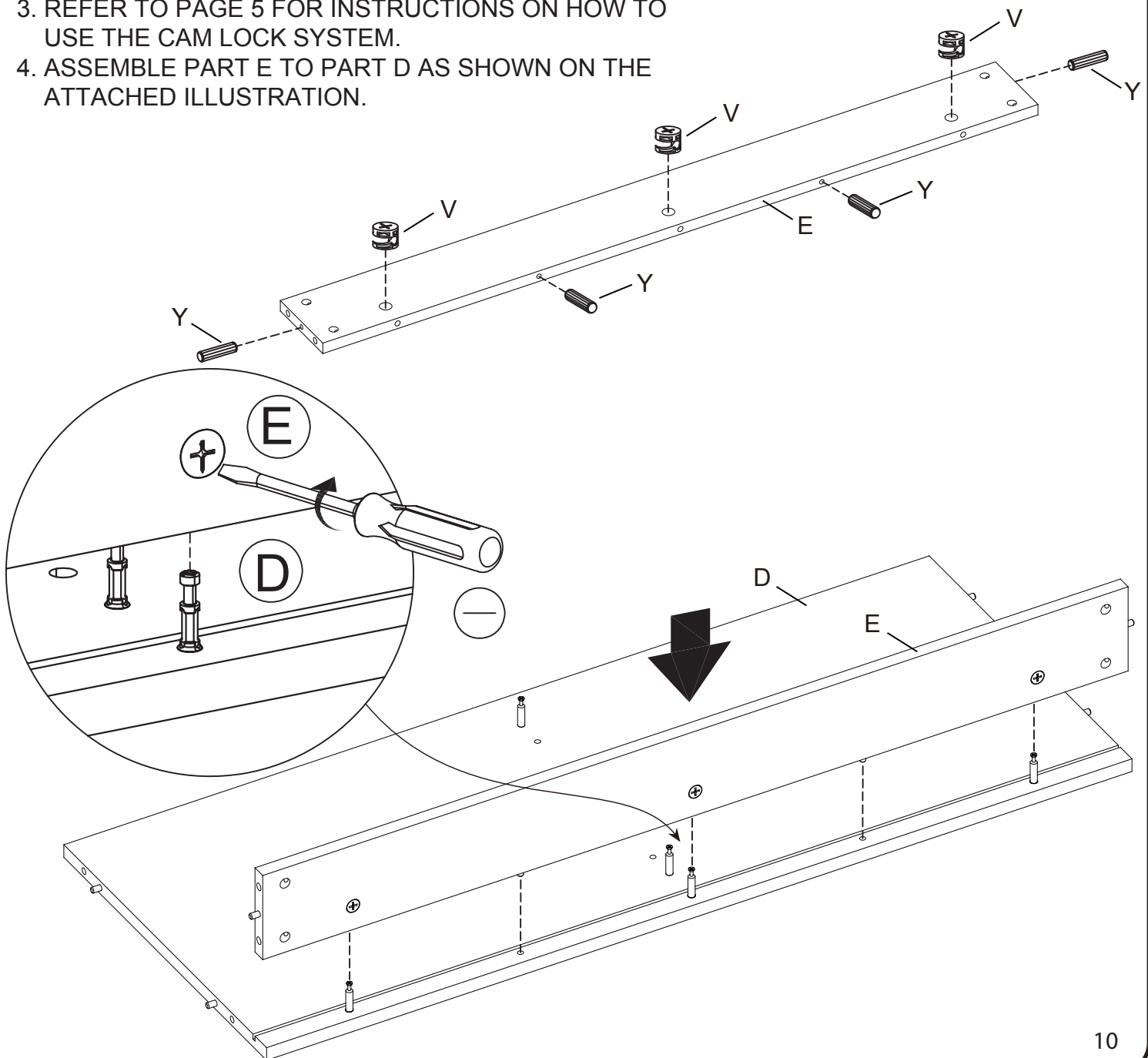


V. CAM LOCK x 3



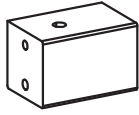
Y. $\Phi 8 \times 30$ mm WOOD DOWEL x 4

1. CAREFULLY TAP SMALL WOODEN DOWELS INTO PLACE. LEAVE 1/2" OF THE DOWELS STICKING OUT.
2. INSERT THE CAMS.
3. REFER TO PAGE 5 FOR INSTRUCTIONS ON HOW TO USE THE CAM LOCK SYSTEM.
4. ASSEMBLE PART E TO PART D AS SHOWN ON THE ATTACHED ILLUSTRATION.

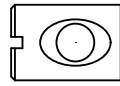


STEP 6

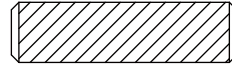
PARTS AND TOOLS REQUIRED TO COMPLETE STEP



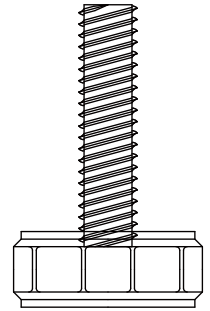
G. CENTER SUPPORT FOOT x 1



AA. BARREL NUT x 1

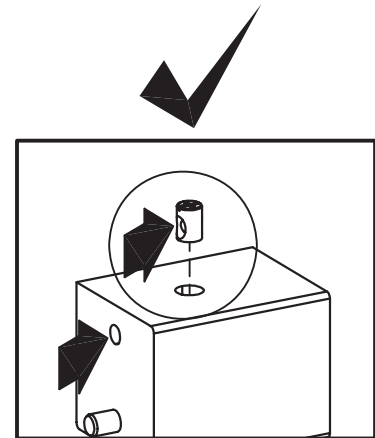
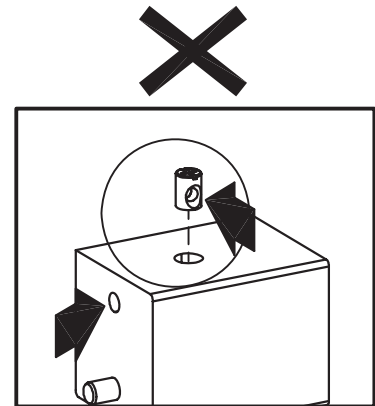
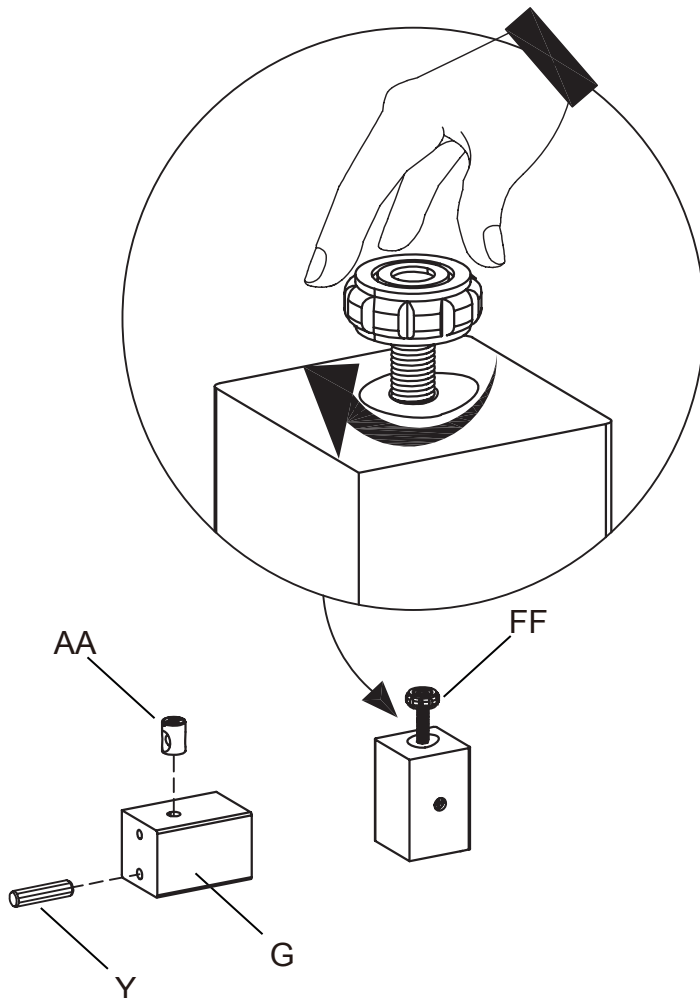


Y. $\Phi 8 \times 30$ mm WOOD DOWEL x 1



FF. LEVELER x 1

1. CAREFULLY TAP SMALL WOODEN DOWELS INTO PLACE. LEAVE 1/2" OF THE DOWELS STICKING OUT.
2. INSERT BARREL NUT AS SHOWN ON THE ATTACHED ILLUSTRATION.

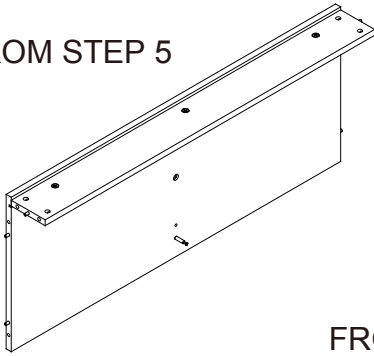


**PLEASE MAKE SURE BARREL NUT'S HOLE
ALIGNS WITH SIDE HOLE!
ADJUST USING SCREWDRIVER!**

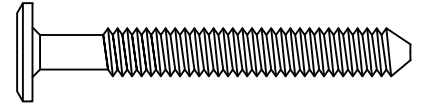
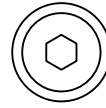
STEP 7

PARTS AND TOOLS REQUIRED TO COMPLETE STEP

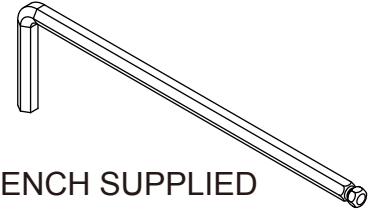
FROM STEP 5



FROM STEP 6

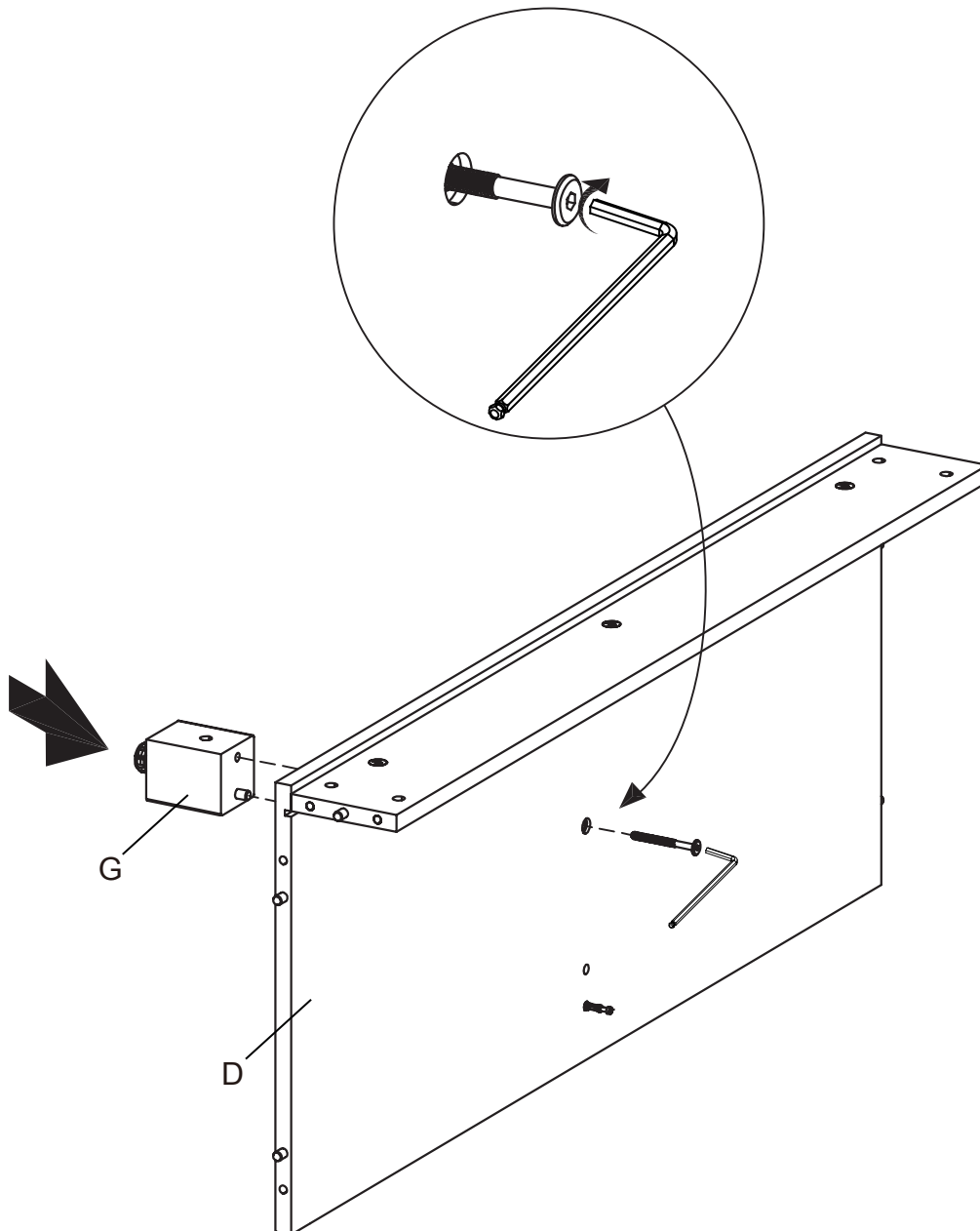


Z. M6 x 50 mm BOLT x 1



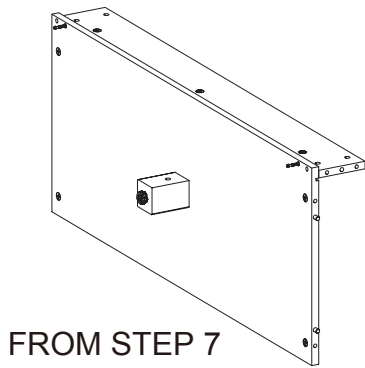
M4 ALLEN WRENCH SUPPLIED

1. ALIGN THE EXPOSED DOWEL ON CENTER SUPPORT FOOT TO THE HOOL ON THE BOTTOM PANEL.
2. INSERT THE BOLT FROM THE TOP AND SECURE TO THE BARREL NUT USING M4 ALLEN WRENCH.

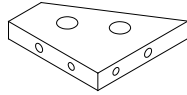
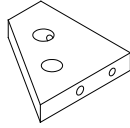


STEP 8

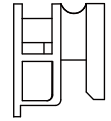
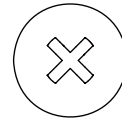
PARTS AND TOOLS REQUIRED TO COMPLETE STEP



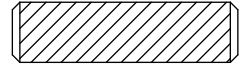
J. BACK RIGHT FOOT x 1



H. BACK LEFT FOOT x 1

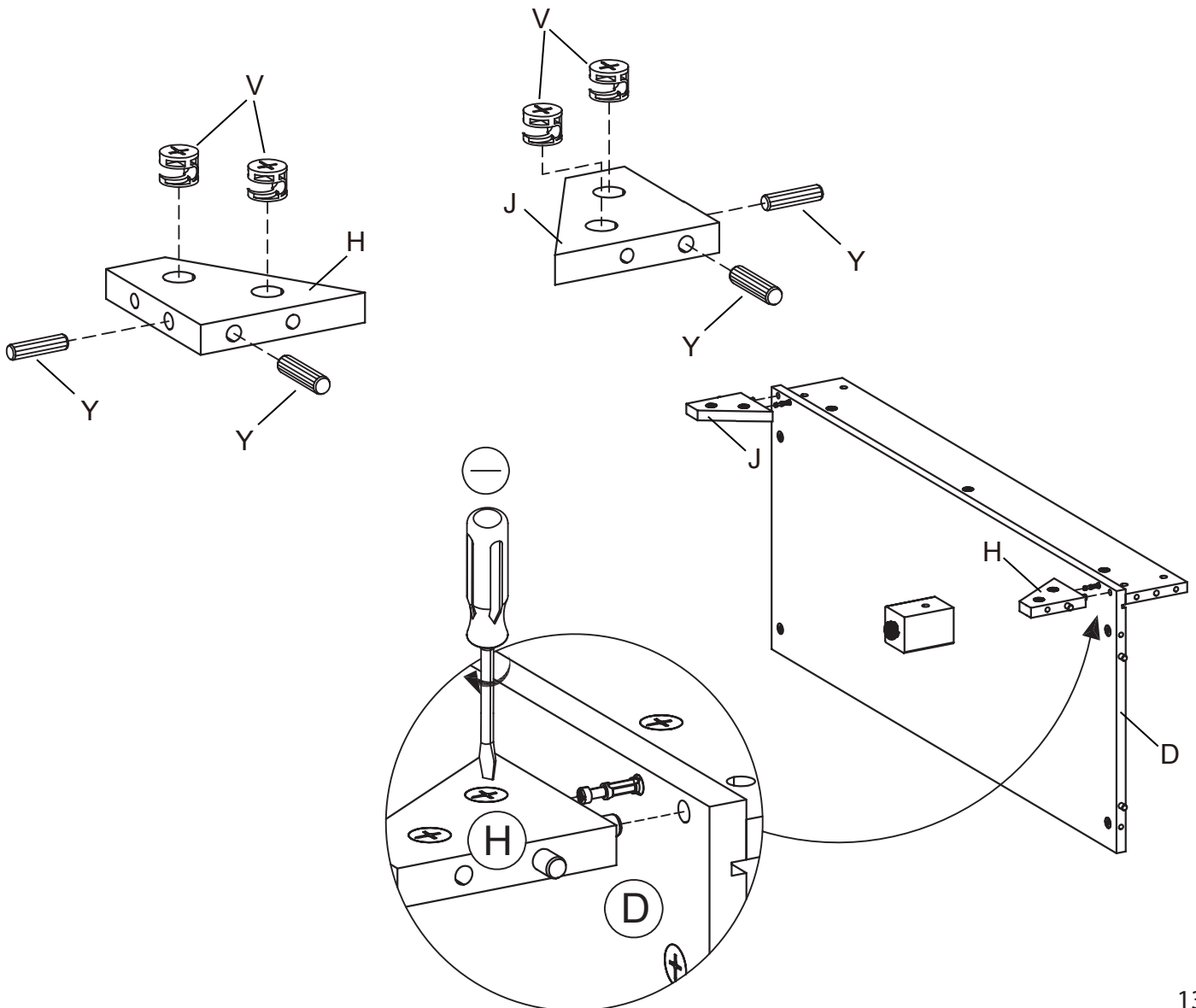


V. CAM LOCK x 4



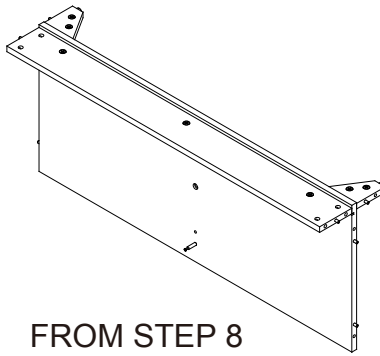
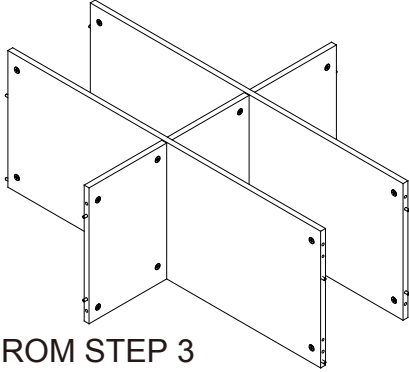
Y. $\Phi 8 \times 30$ mm WOOD DOWEL x 4

1. CAREFULLY TAP SMALL WOODEN DOWELS INTO PLACE. LEAVE 1/2" OF THE DOWELS STICKING OUT.
2. INSERT THE CAMS.
3. REFER TO PAGE 5 FOR INSTRUCTIONS ON HOW TO USE THE CAM LOCK SYSTEM.
4. ASSEMBLE PART H & J TO PART D AS SHOWN ON THE ATTACHED ILLUSTRATION.

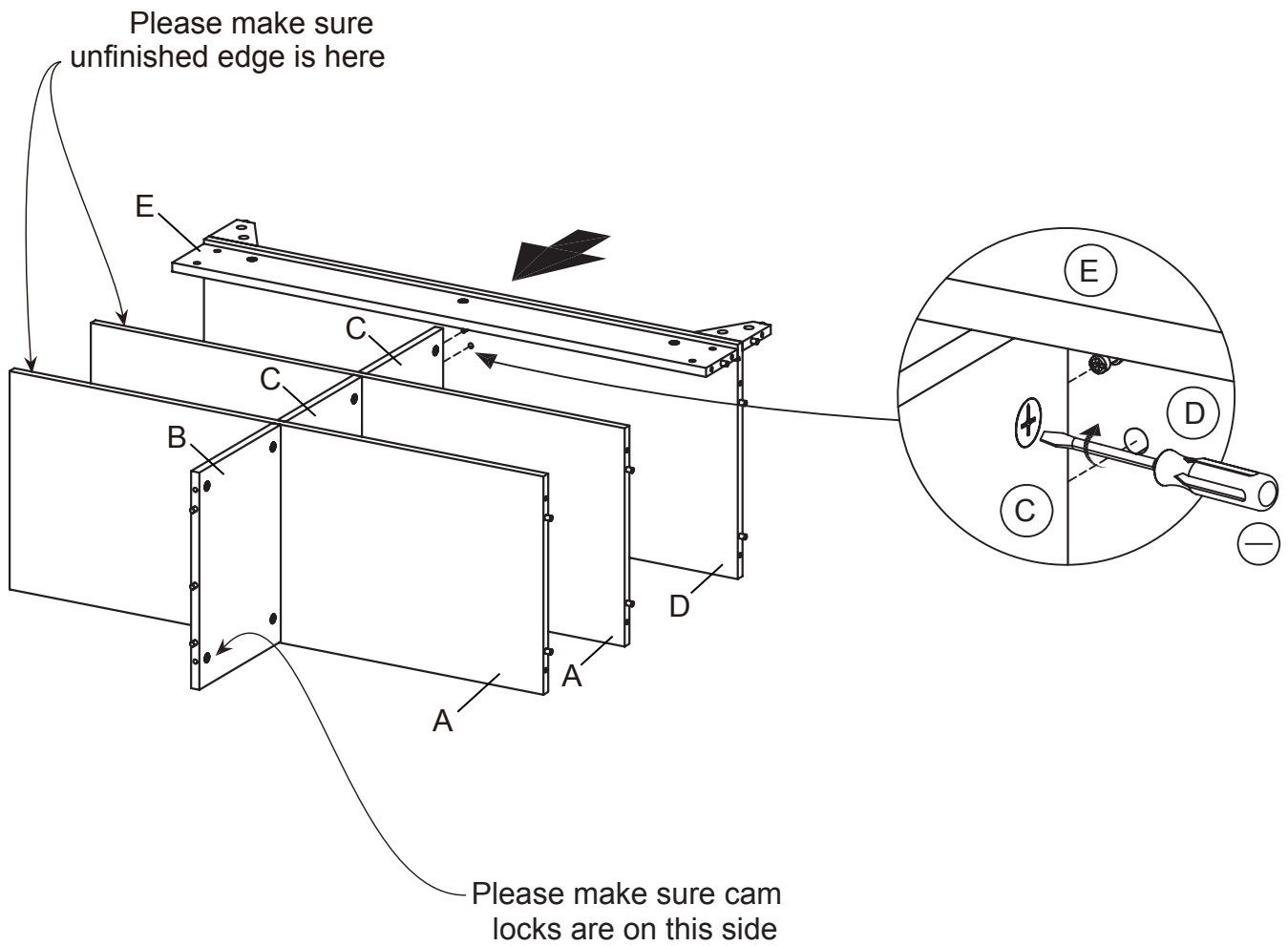


STEP 9

PARTS AND TOOLS REQUIRED TO COMPLETE STEP

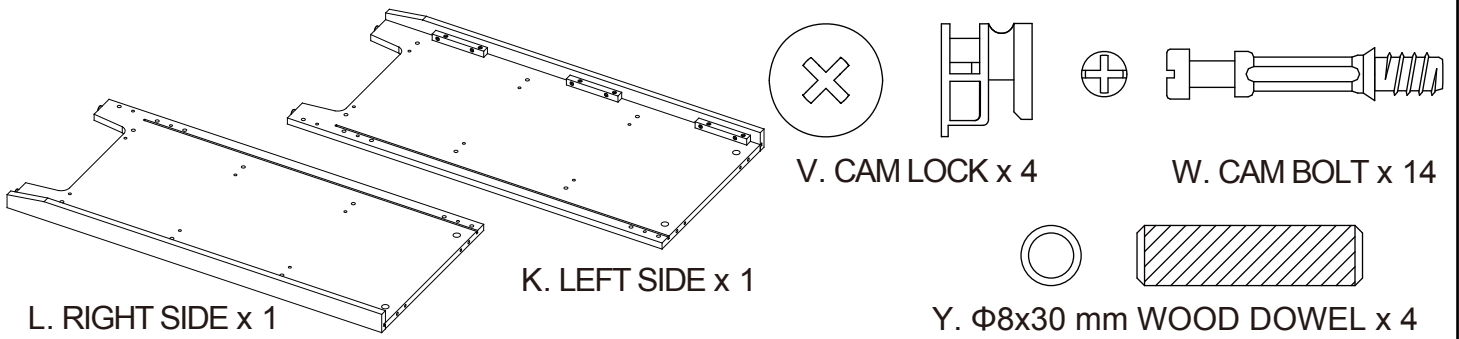


REFER TO PAGE 5 FOR INSTRUCTIONS ON HOW TO USE THE CAM LOCK SYSTEM.

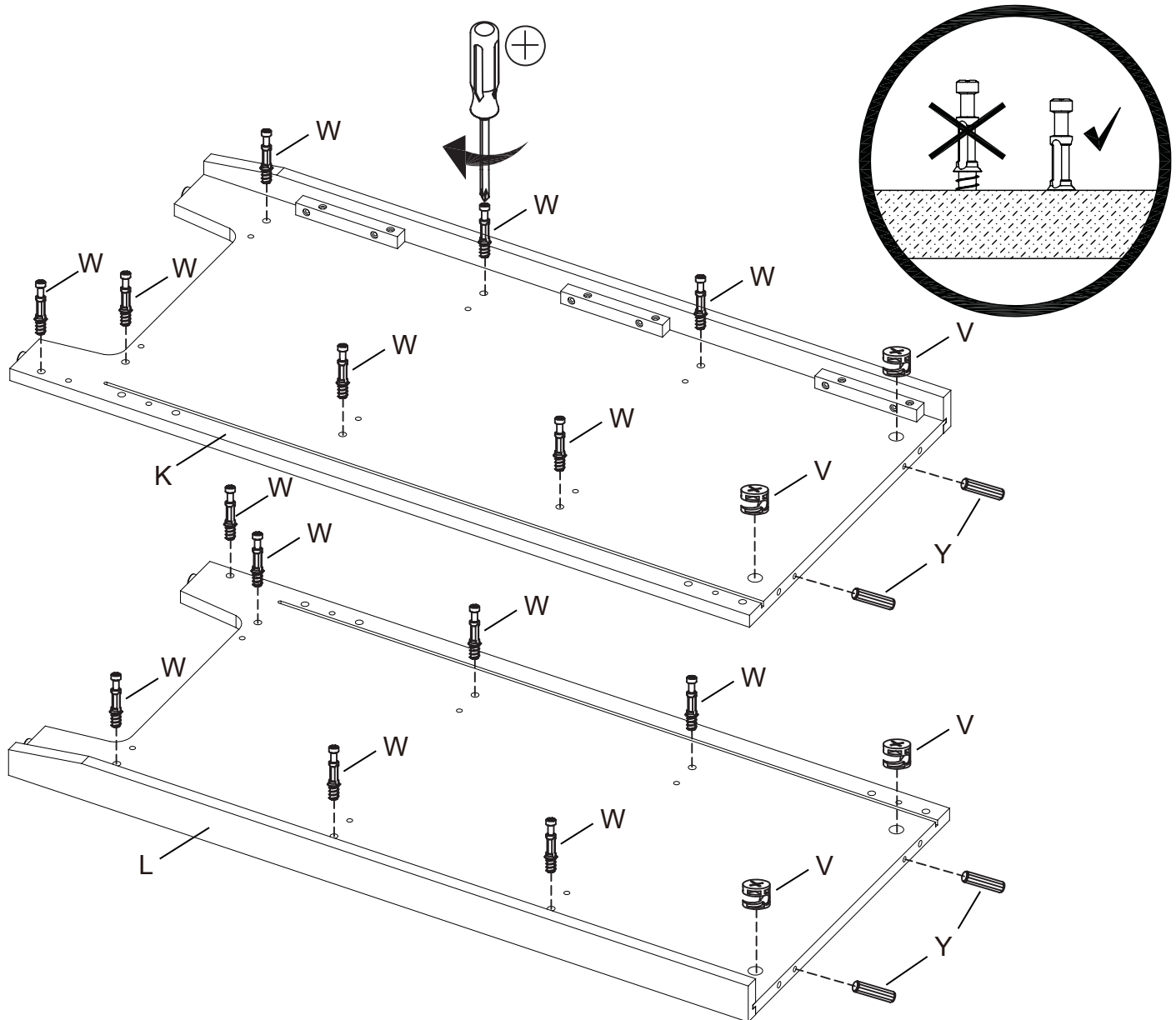


STEP 10

PARTS AND TOOLS REQUIRED TO COMPLETE STEP

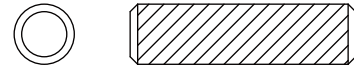
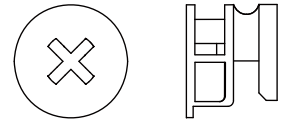
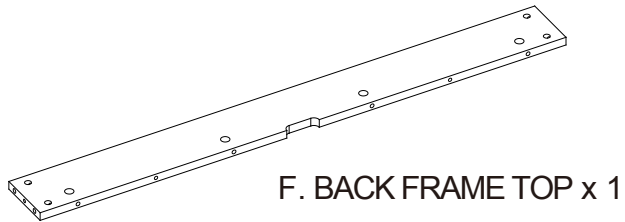


1. CAREFULLY TAP SMALL WOODEN DOWELS INTO PLACE. LEAVE 1/2" OF THE DOWELS STICKING OUT.
2. INSERT THE CAMS.
3. CAM BOLTS MUST BE SCREWED DOWN FLUSH.
4. REFER TO PAGE 5 FOR INSTRUCTIONS ON HOW TO USE THE CAM LOCK SYSTEM.

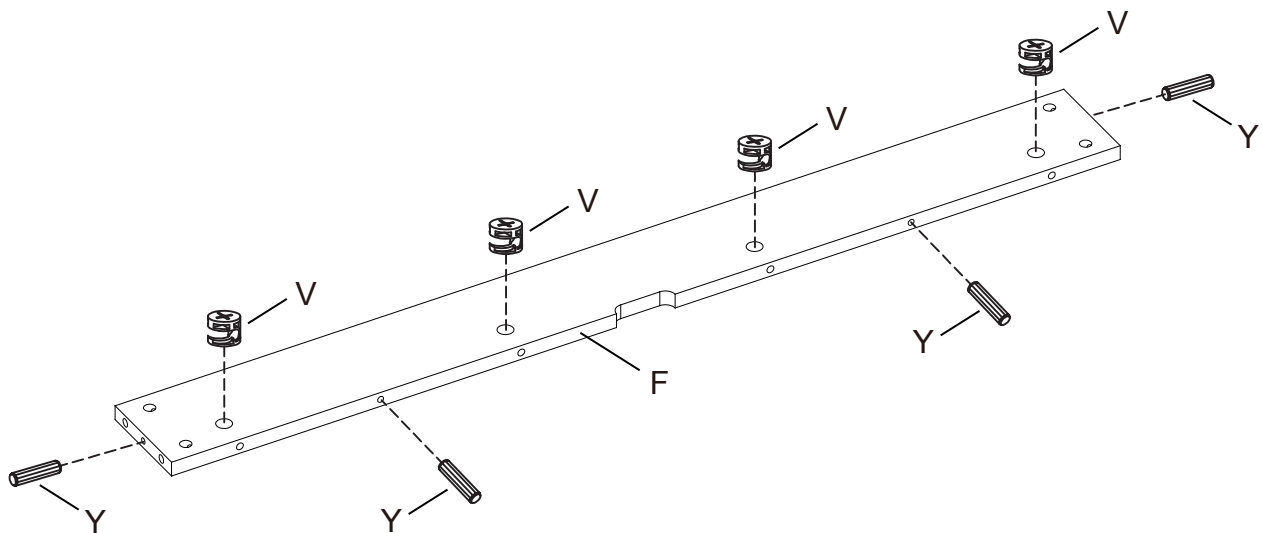


STEP 11

PARTS AND TOOLS REQUIRED TO COMPLETE STEP

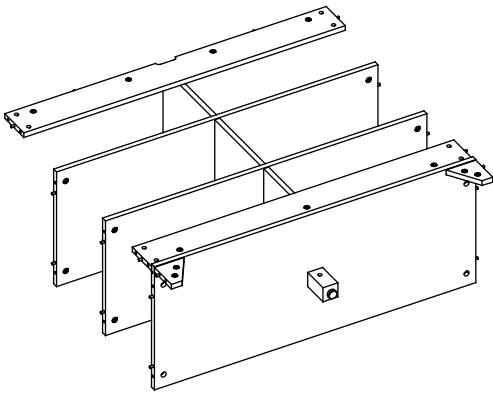


1. CAREFULLY TAP SMALL WOODEN DOWELS INTO PLACE. LEAVE 1/2" OF THE DOWELS STICKING OUT.
2. INSERT THE CAMS.
3. REFER TO PAGE 5 FOR INSTRUCTIONS ON HOW TO USE THE CAM LOCK SYSTEM.

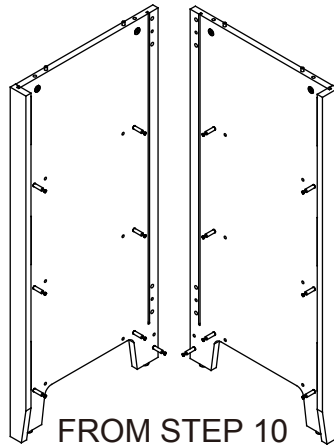


STEP 12

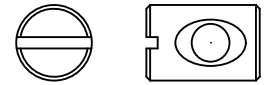
PARTS AND TOOLS REQUIRED TO COMPLETE STEP



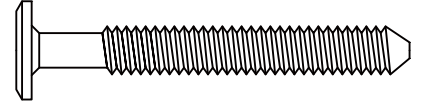
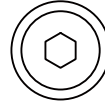
FROM STEP 9



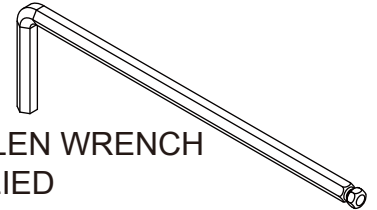
FROM STEP 10



AA. BARREL NUT x 8



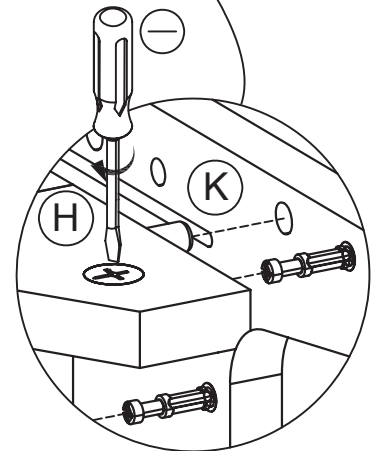
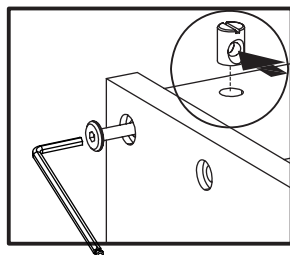
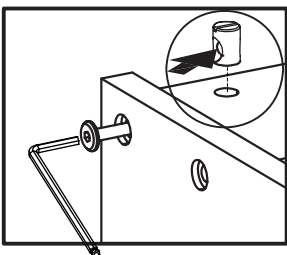
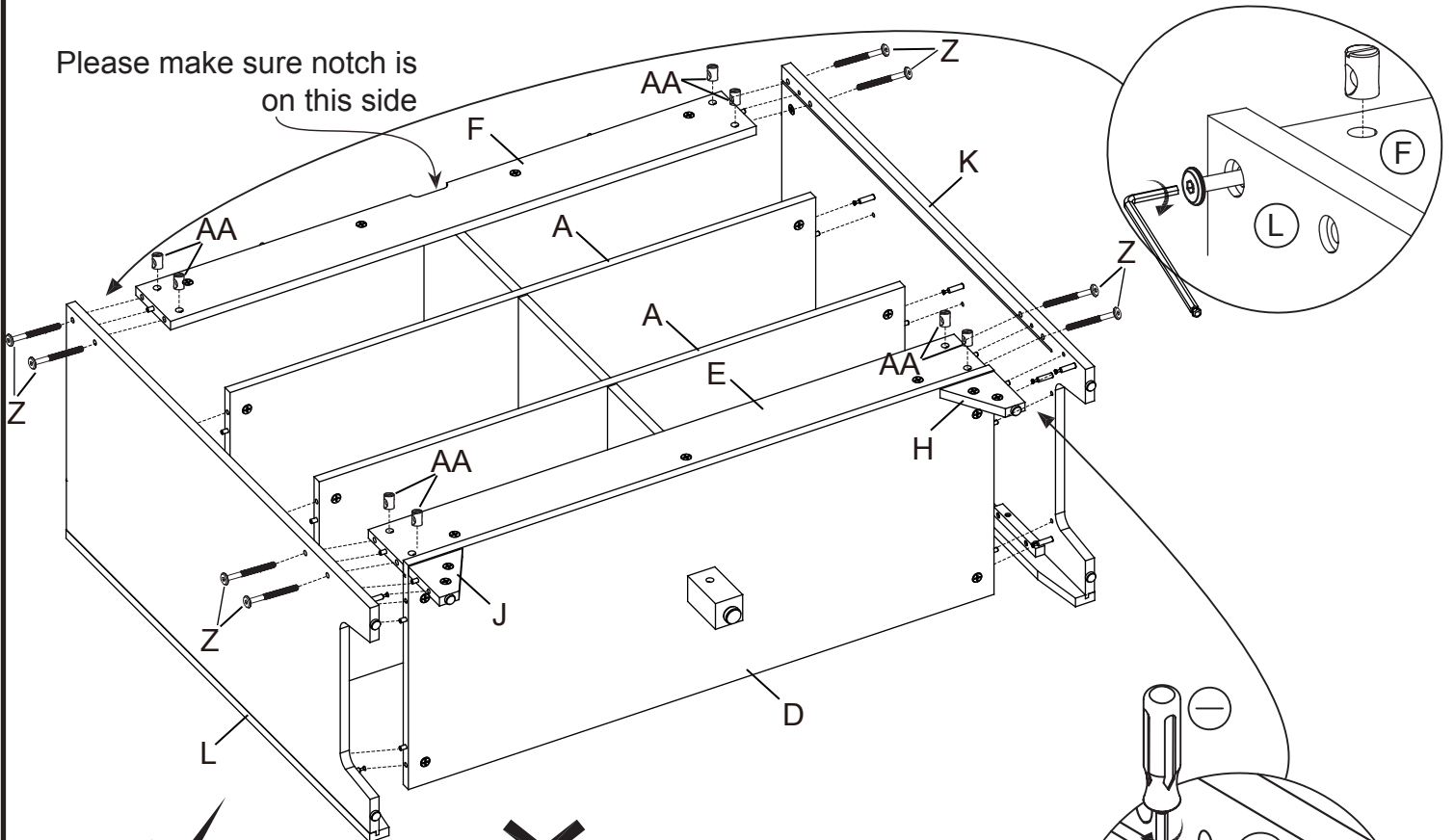
Z. M6 x 50 mm BOLT x 8



M4 ALLEN WRENCH
SUPPLIED

REFER TO PAGE 5 FOR INSTRUCTIONS ON HOW TO USE THE CAM LOCK SYSTEM.

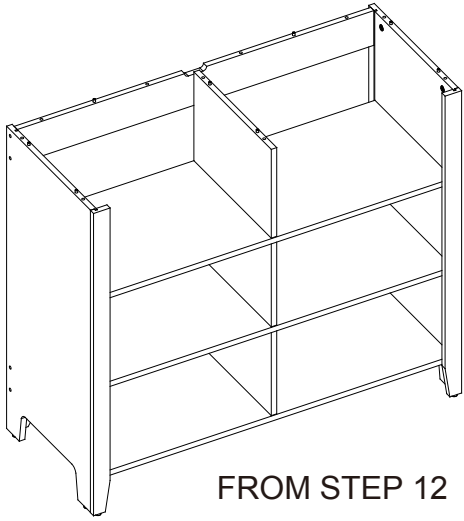
Please make sure notch is
on this side



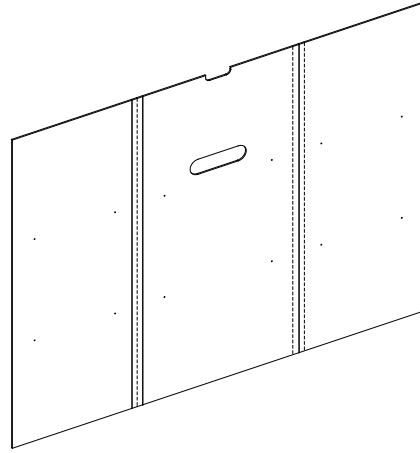
PLEASE MAKE SURE THAT THE BARREL NUT'S
HOLE ALIGN WITH SIDE HOLE!
ADJUST BY USING SCREWDRIVER!

STEP 13

PARTS AND TOOLS REQUIRED TO COMPLETE STEP

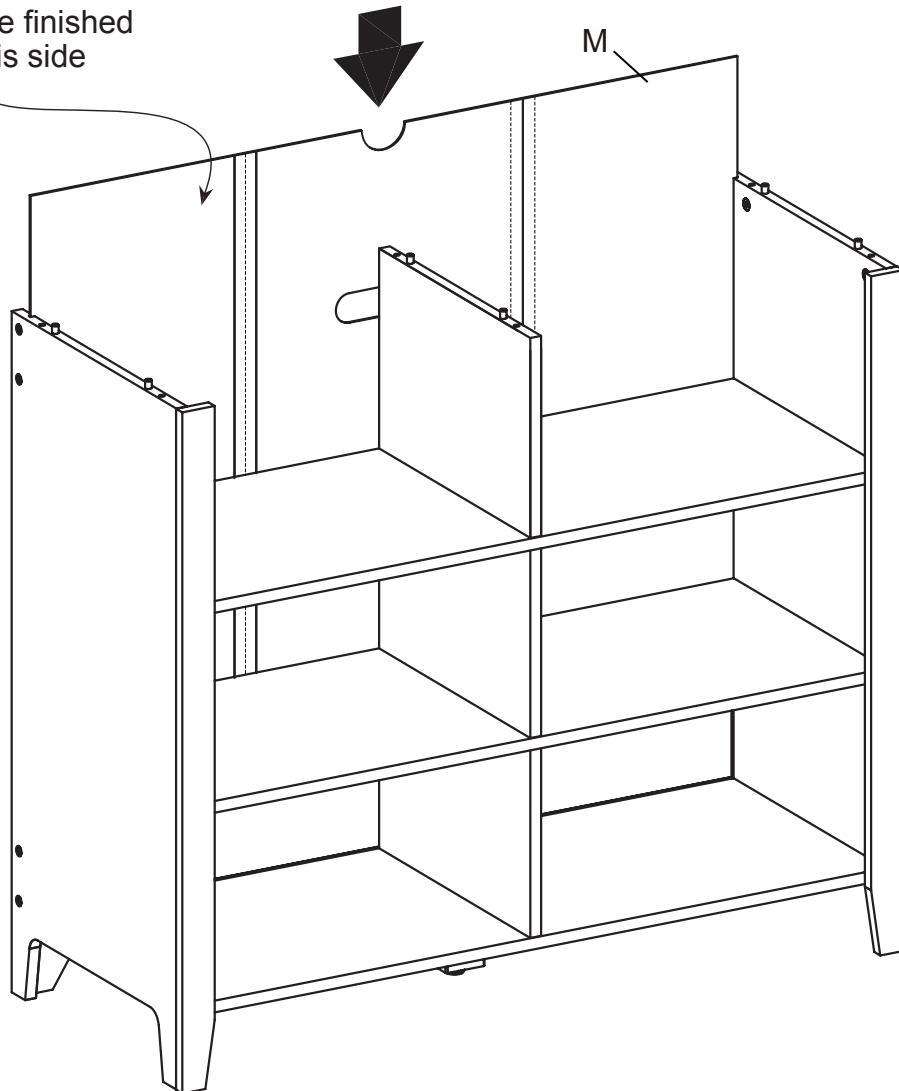


FROM STEP 12



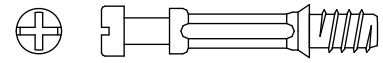
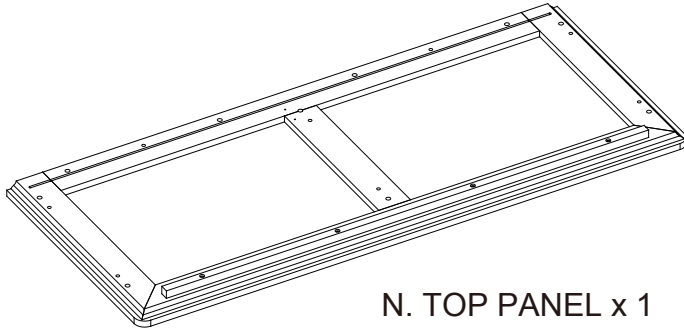
M. BACK PANEL x 1

Please make sure the finished surfaces are on this side



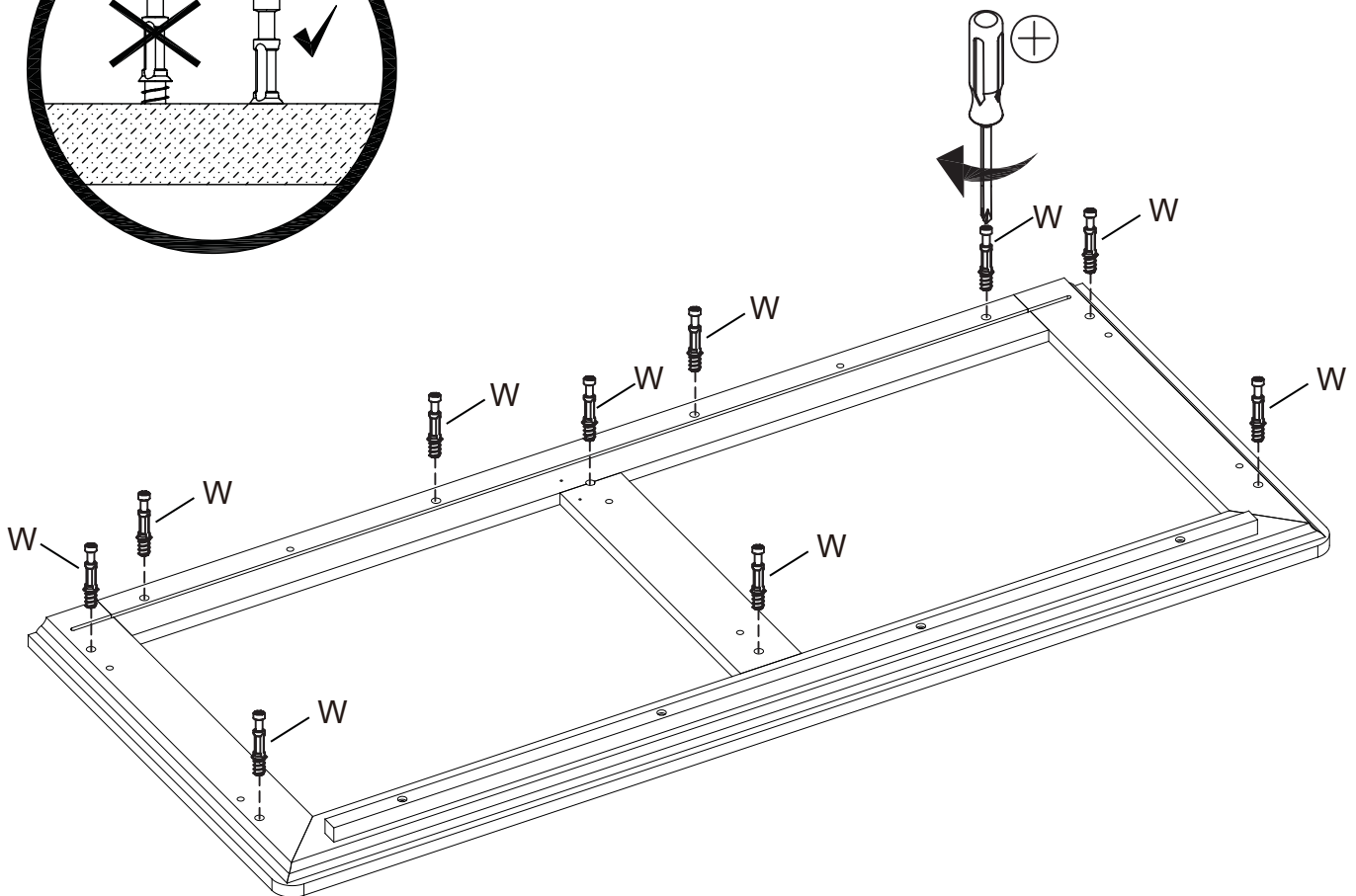
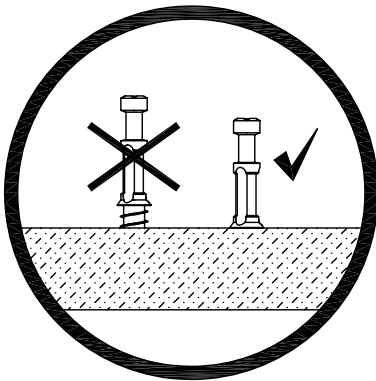
STEP 14

PARTS AND TOOLS REQUIRED TO COMPLETE STEP



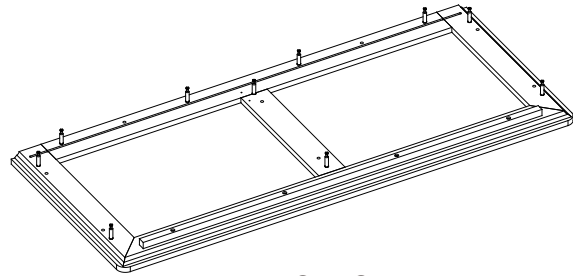
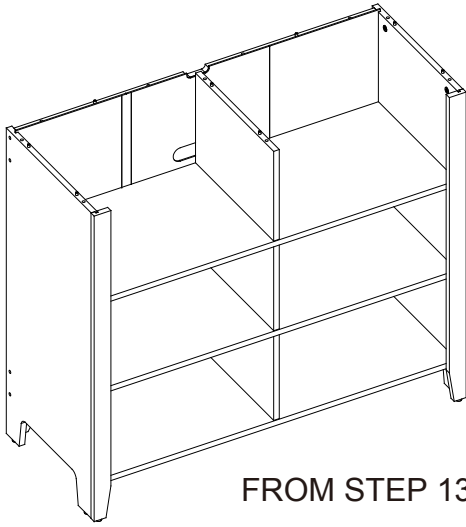
W. CAM BOLT x 10

1. CAM BOLTS MUST BE SCREWED DOWN FLUSH.
2. REFER TO PAGE 5 FOR INSTRUCTIONS ON HOW TO USE THE CAM LOCK SYSTEM.

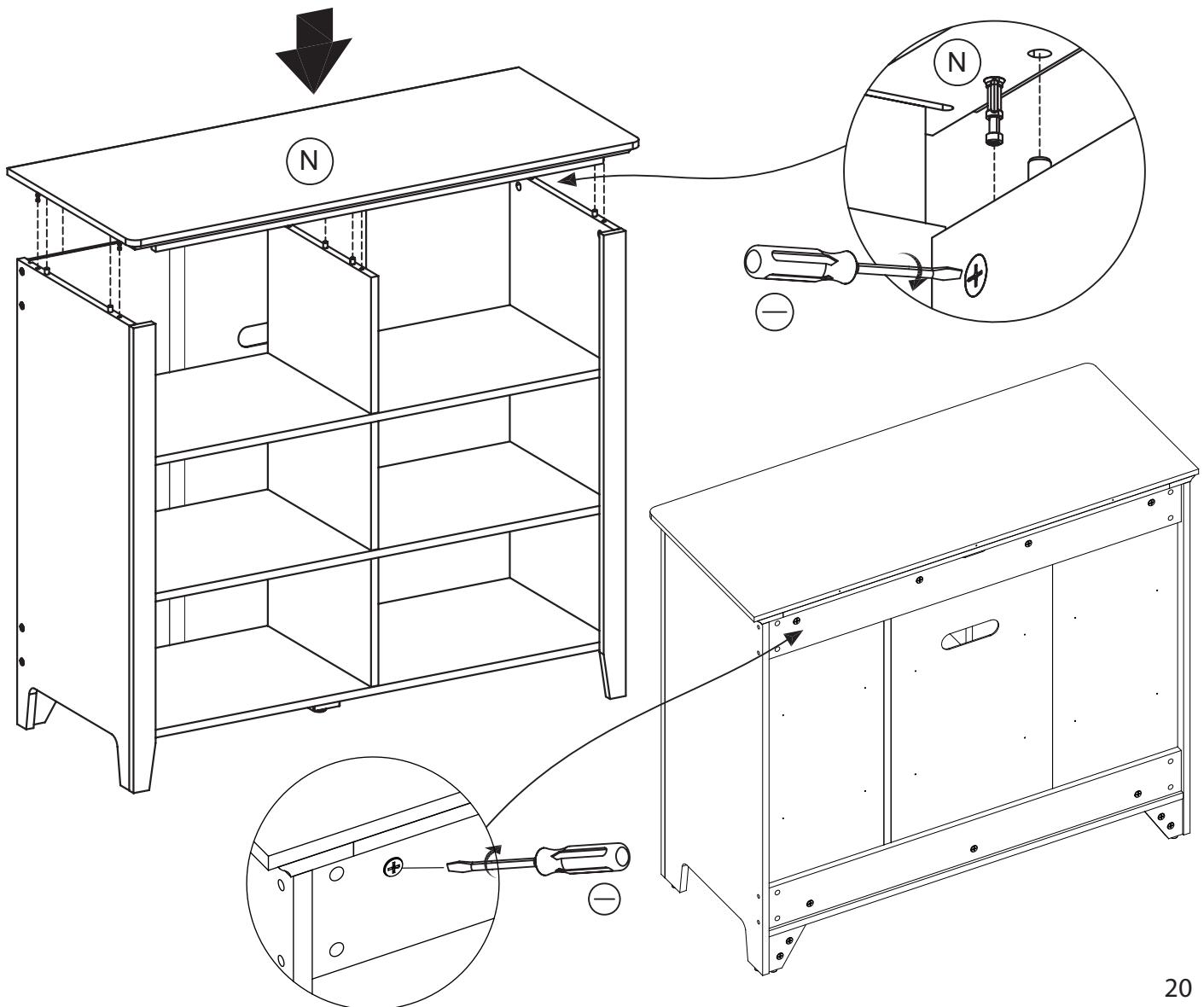


STEP 15

PARTS AND TOOLS REQUIRED TO COMPLETE STEP

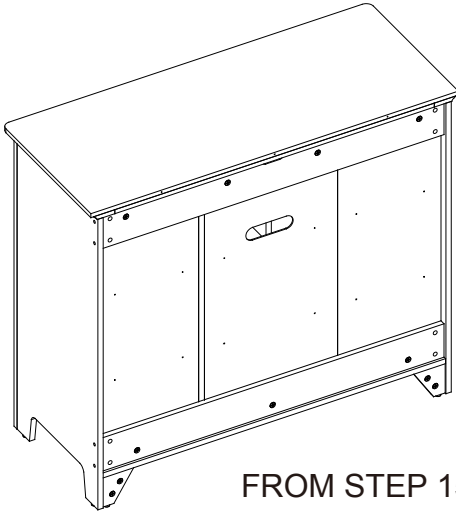


REFER TO PAGE 5 FOR INSTRUCTIONS ON HOW TO USE THE CAM LOCK SYSTEM.



STEP 16

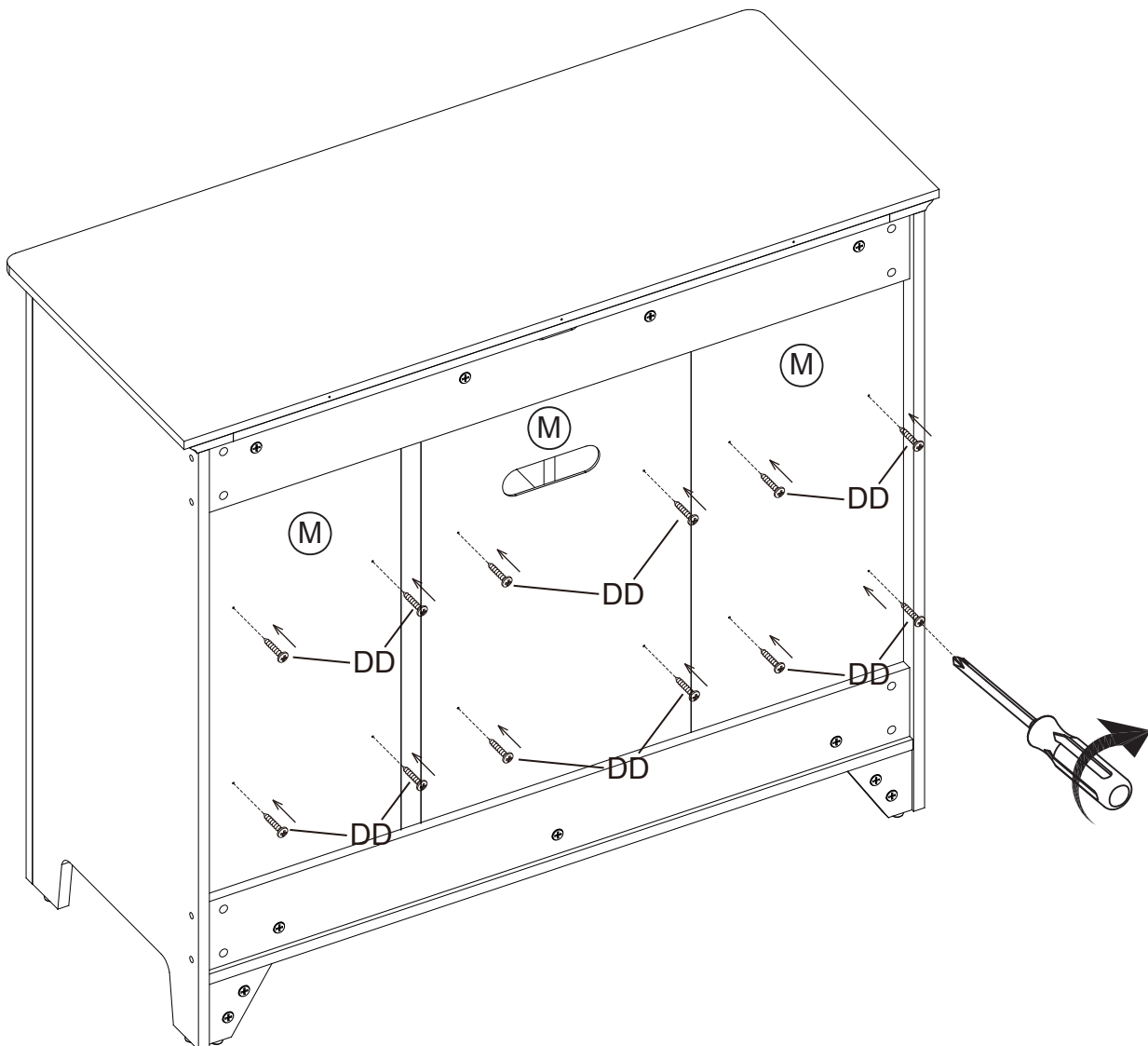
PARTS AND TOOLS REQUIRED TO COMPLETE STEP



FROM STEP 15



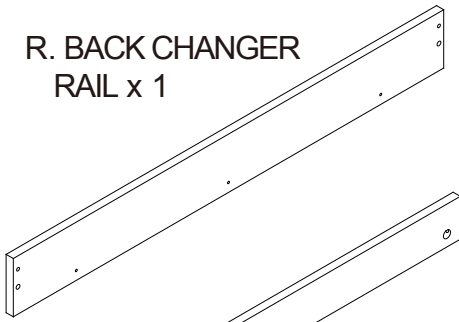
DD. 15 mm UMBRELLA HEAD
WOOD SCREW x 12



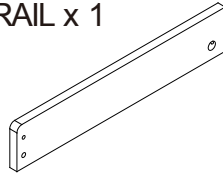
STEP 17

PARTS AND TOOLS REQUIRED TO COMPLETE STEP

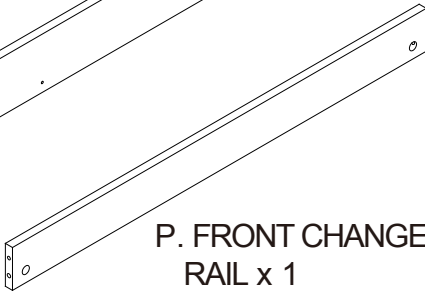
R. BACK CHANGER
RAIL x 1



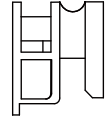
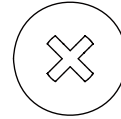
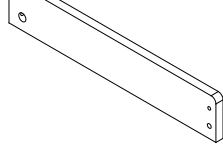
S. LEFT CHANGER
RAIL x 1



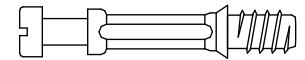
P. FRONT CHANGER
RAIL x 1



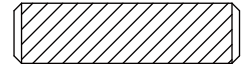
T. RIGHT CHANGER
RAIL x 1



V. CAM LOCK x 4

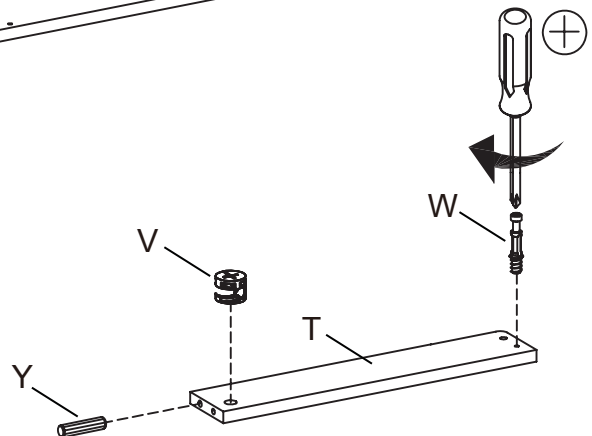
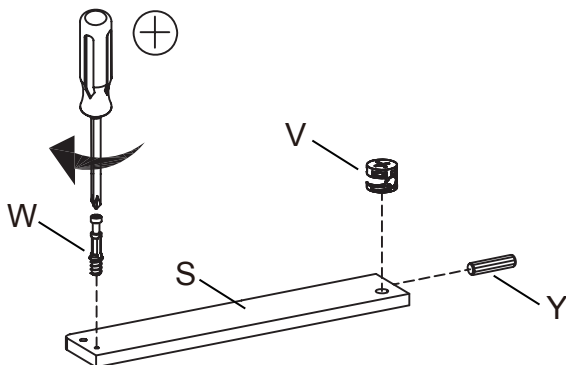
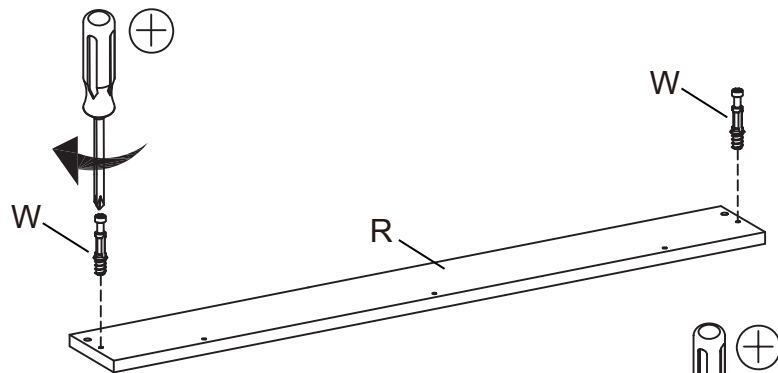
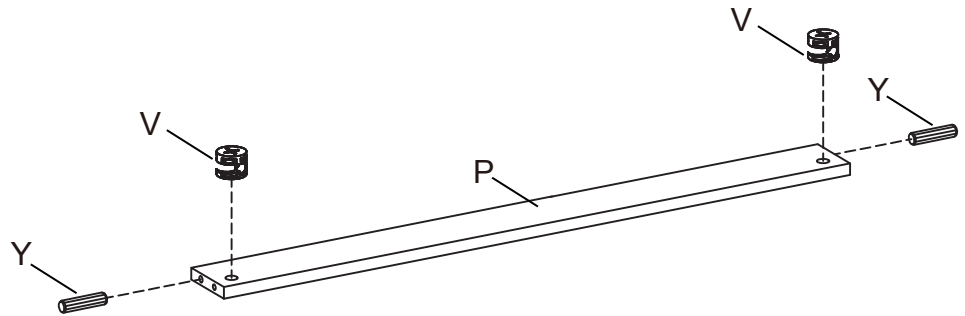
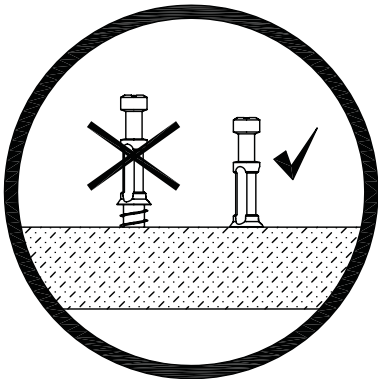


W. CAM BOLT x 4



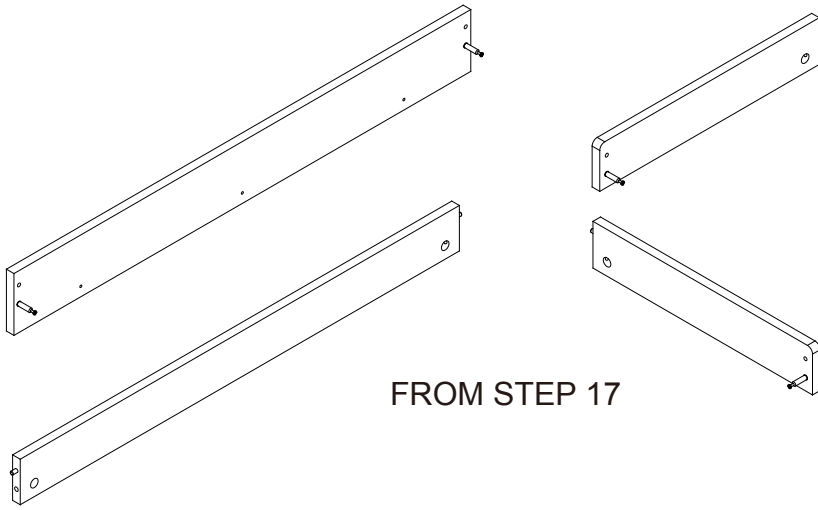
Y. Φ 8x30 mm WOOD DOWEL x 4

1. CAREFULLY TAP SMALL WOODEN DOWELS INTO PLACE. LEAVE 1/2" OF THE DOWELS STICKING OUT.
2. INSERT THE CAMS.
3. CAM BOLTS MUST BE SCREWED DOWN FLUSH.
4. REFER TO PAGE 5 FOR INSTRUCTIONS ON HOW TO USE THE CAM LOCK SYSTEM.

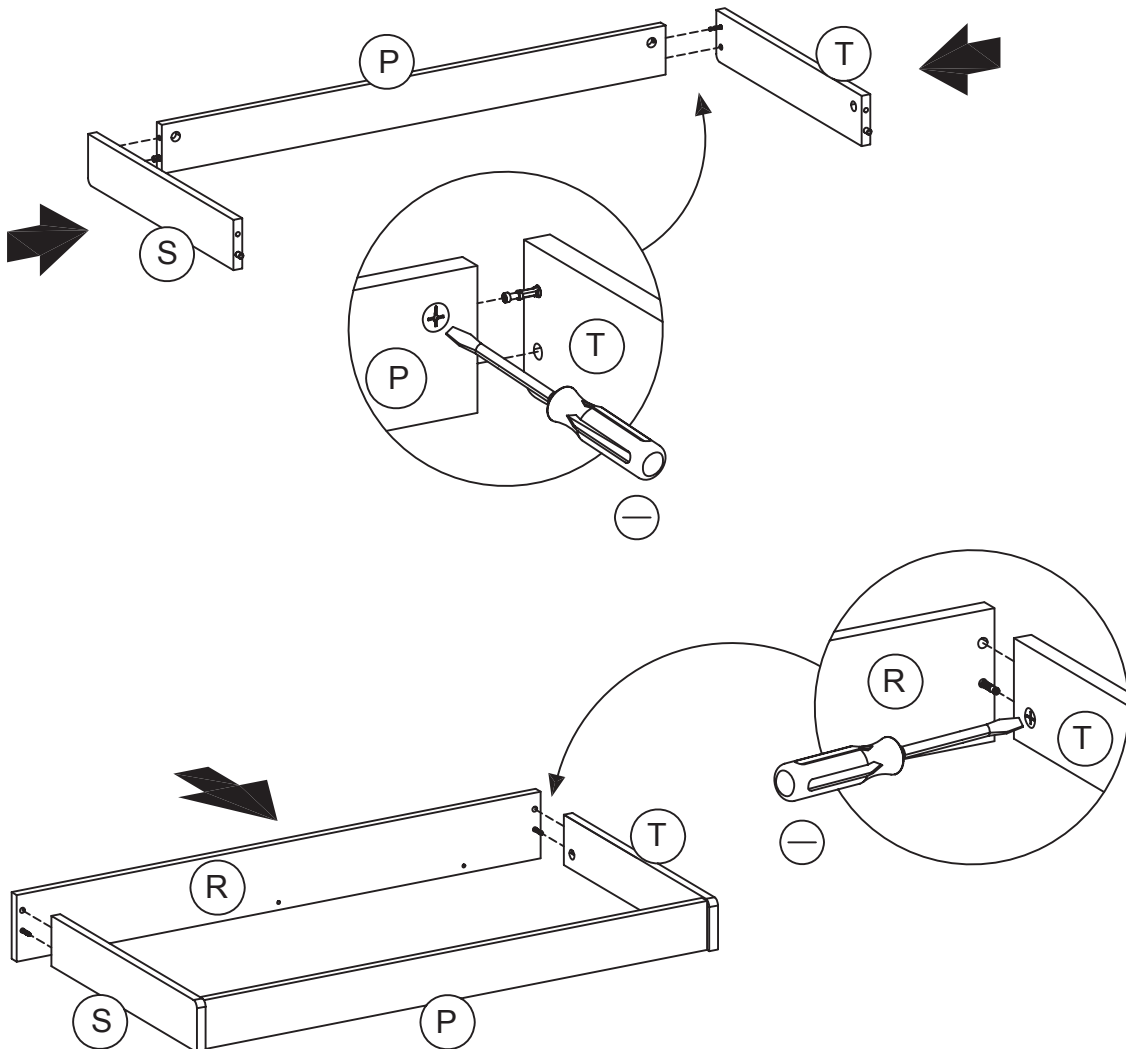


STEP 18

PARTS AND TOOLS REQUIRED TO COMPLETE STEP

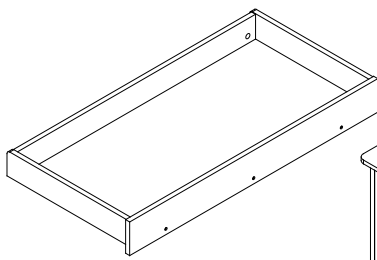


REFER TO PAGE 5 FOR INSTRUCTIONS ON HOW TO USE THE CAM LOCK SYSTEM.

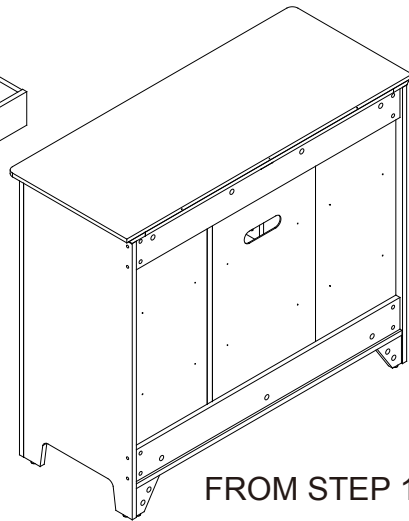


STEP 19

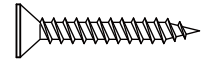
PARTS AND TOOLS REQUIRED TO COMPLETE STEP



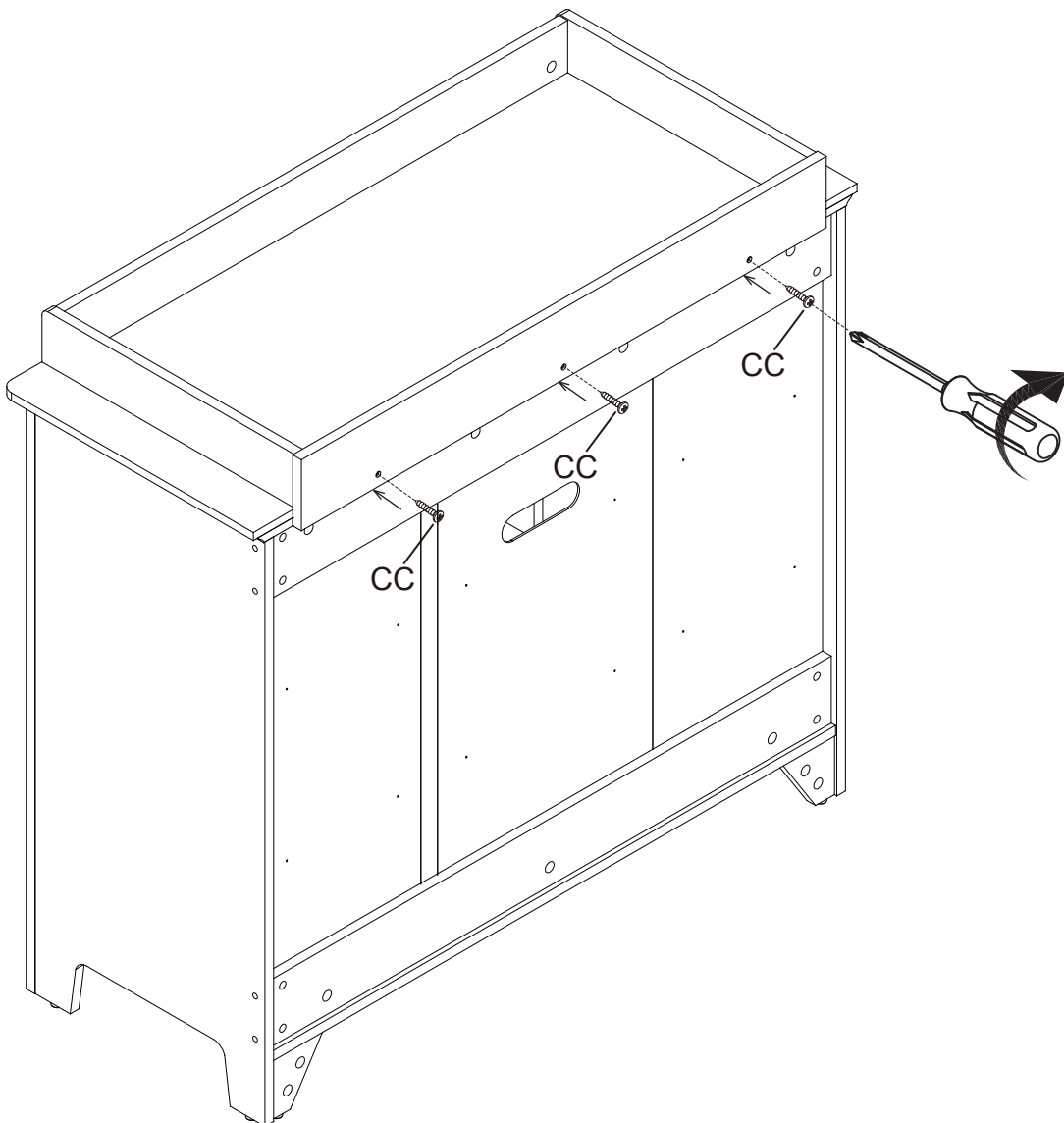
FROM STEP 18



FROM STEP 16

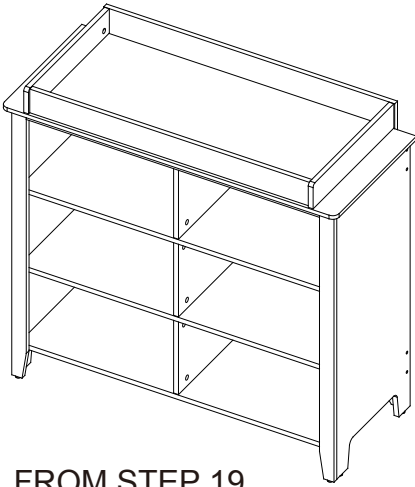


CC. 25 mm FLAT HEAD
WOOD SCREW x 3

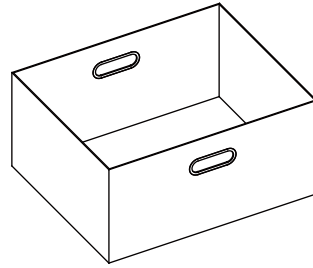


STEP 20

PARTS AND TOOLS REQUIRED TO COMPLETE STEP

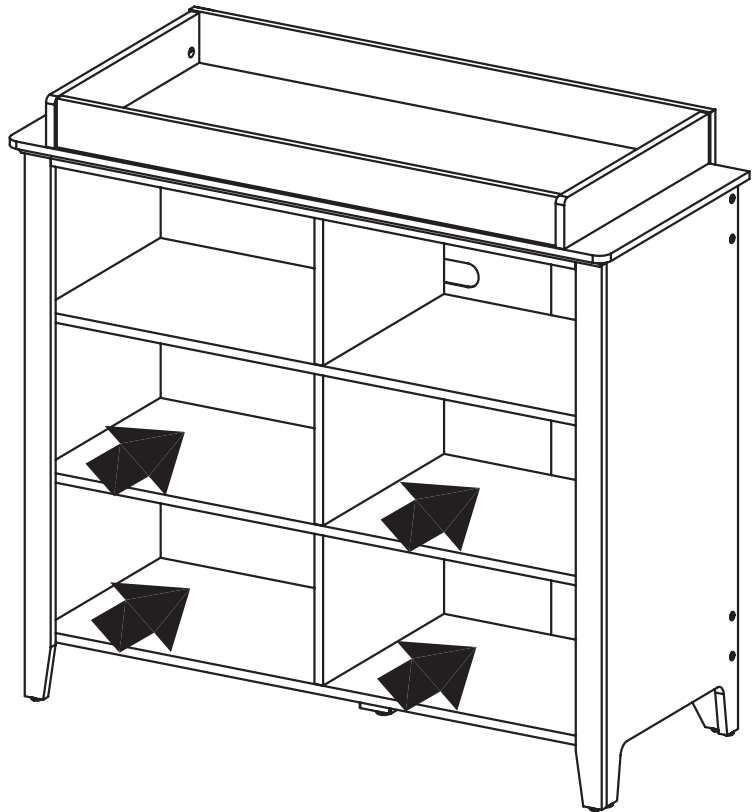
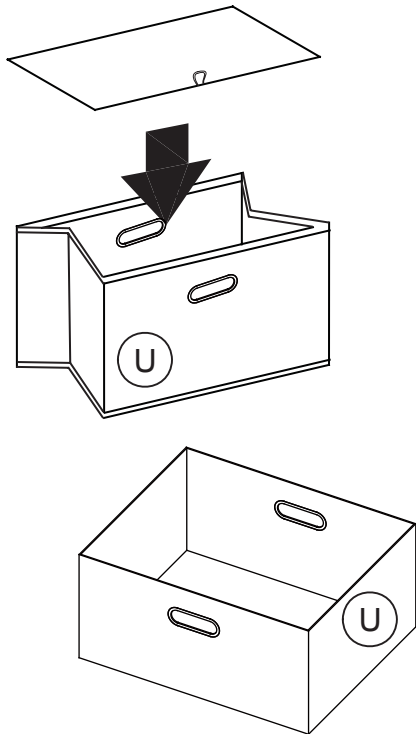


FROM STEP 19



U. FABRIC BIN x 4

1. UNFOLD THE FABRIC BINS AND INSERT THE BASE AS SHOWN ON THE ILLUSTRATION.
2. INSERT FABRIC BINS INTO MIDDLE & LOWER SHELVES.





Children's Products

Consumer Care:

www.deltachildrenproducts.com

Delta Children's Products

114 West 26th Street

New York, NY 10001

Tele. 212-645-9033

Warranty: This Delta product is warranted to be free from defects for a period of 90 days from the date of purchase under normal use. This warranty extends only to the original retail purchaser and is valid only when supplied with proof of purchase, or if received as a gift, when the registration is on file with Delta.

To register your product for important safety alerts and updates to your product please visit **www.deltachildrenproducts.com**

Please do not return this item to the store before contacting us about missing parts or with any questions.

To report a problem, please log on to **www.deltachildrenproducts.com** and click the Consumer Care Tab, or contact us by phone at (212) 645-9033.

In the event that you need to contact our customer service department please have the Style Number and Lot Number available. Use the space below to make note of those numbers. They can be found on the back panel.

Style No.: _____

Lot No. : _____

Pack Date: _____

Date of Purchase: _____ (you should also keep your receipt)