

Delta™

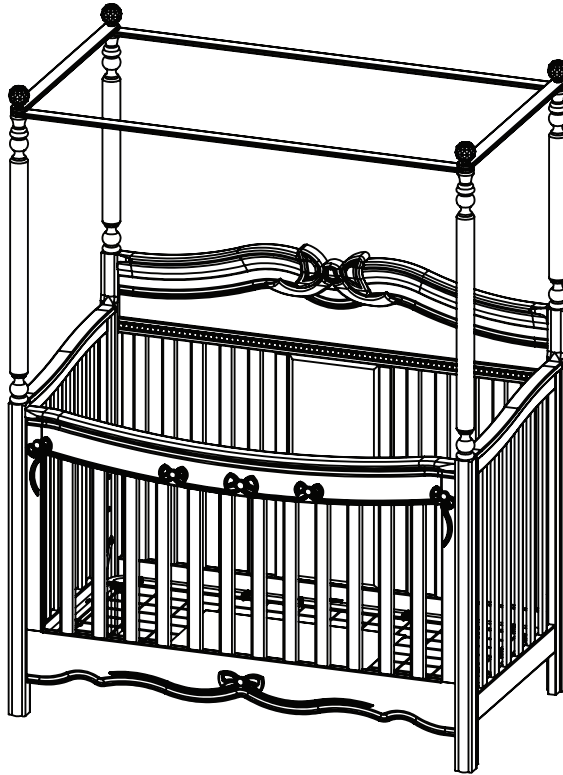
Children's Products

4 in 1 Crib

Read all instructions before assembly and use.
KEEP INSTRUCTIONS FOR FUTURE USE.

▲ ADULT ASSEMBLY REQUIRED

Due to the presence of small parts during assembly, keep out of reach of children until assembly is complete.



THIS PRODUCT IS NOT INTENDED FOR INSTITUTIONAL OR COMMERCIAL USE.

Consumer Care:

www.DeltaChildren.com

Delta Children's Products
114 West 26th Street
New York, NY 10001
Tele. 212-645-9033

Style #: _____

Lot: _____

Date: _____



When contacting Delta Consumer Care you will need to reference the above numbers. They can also be found on the label on the Crib End bottom rail.

To register your product for important safety alerts and updates to your product please visit www.DeltaChildren.com and click on Product Registration.

CAUTION:

ANY MATTRESS USED IN THIS CRIB SHALL BE AT LEAST 27 1/4 BY 51 5/8 IN. WITH A THICKNESS NOT EXCEEDING 6 IN.

WARNING:

*Infants can suffocate on soft bedding. Never add a pillow or comforter. Never place additional padding under an infant.

*Failure to follow these warnings and the assembly instructions could result in serious injury or death.

DO NOT use this crib if you cannot exactly follow the accompanying instructions.

*To reduce the risk of SIDS, pediatricians recommend healthy infants be placed on their backs to sleep, unless otherwise advised by your physician.

***Strangulation Hazard:** STRINGS CAN CAUSE STRANGULATION! **Do not** place items with a string around a child's neck, such as hood strings or pacifier cords. **Do not** suspend strings over a crib or attach strings to toys.

***Strangulation Hazard:** To help prevent strangulation tighten all fasteners. A child can trap parts of the body or clothing on loose fasteners.

***Strangulation Hazard:** **Do not** place crib near window or patio door where cords from blinds or drapes may strangle a child.

***Fall Hazard:** When child is able to pull to a standing position, set mattress to lowest position and remove bumper pads, large toys and other objects that could serve as steps for climbing out. This crib has an adjustable mattress support. For the convenience of the parent when the baby is very small, the mattress support may be used in the highest position. Important: with the mattress support and mattress in the highest position, be absolutely sure that the top of the front crib side is at least 3 inches higher than the top surface of the mattress. If it is not, lower the mattress support and the mattress to the next highest position.

***Fall Hazard:** Stop using crib when child begins to climb out or reaches a height of 35in. (89cm), whichever occurs first. The child should be placed in a youth or regular bed.

*Check this product for damaged hardware, loose joints, loose bolts or other fasteners, missing parts, or sharp edges before and after assembly and frequently during use. Securely tighten loose bolts and other fasteners. **Do not use crib** if any parts are missing, damaged or broken. Contact Delta Children's Products for replacement parts and instructional literature if needed. Do not substitute parts.

*Follow warnings on **all** products in a crib.

*If refinishing, use a non-toxic finish specified for children's products.

***Never** use plastic shipping bags or other plastic film as mattress covers because they can cause suffocation.

*Infants can suffocate in gaps between crib sides and a mattress that is too small.

*Ensure a safe environment for the child by checking regularly, before placing the child in the crib, that every component is properly and securely in place.

*To avoid head injury, do not allow any child to play underneath the crib.

***Never** add an accessory such as a bassinet or changing table that extends over the sleeping area.

***In Canada Only** - Use a crib mattress that is no thicker than 15 cm and is of such a size that, when it is pushed firmly against any side of the crib, it does not leave a gap of more than 3 cm between the mattress and any part of the sides of the crib. Do not use this crib for a child who can climb out of it or who is taller than 90 cm.

TODDLER BED

⚠WARNING

INFANTS HAVE DIED IN TODDLER BEDS FROM ENTRAPMENT.

Openings in and between bed parts can entrap head and neck of a small child.

NEVER use bed with children younger than 15 months.

ALWAYS follow assembly instructions.

The maximum user weight is 50lbs (22.7kg)

⚠WARNING

STRANGULATION HAZARD

NEVER place bed near windows where cords from blinds or drapes may strangle a child.

NEVER suspend strings over a bed.

NEVER place items with a string, cord, or ribbon, such as hood strings or pacifier cords, around a child's neck. These items may catch on bed parts.

⚠CAUTION

ENTRAPMENT HAZARD

To avoid dangerous gaps, any mattress used in this bed shall be a full-size crib mattress at least 51 5/8 in (1310mm) in length, 27 1/4 in (690mm) in width and 4 in (100mm) in thickness. The mattress thickness must not exceed 6 in (150mm).

NOTES ON ASSEMBLY:

-During the assembly process whenever using screws or bolts, check each by placing the screw/bolt on the diagram of the item which is drawn actual size and design. Be sure to use the proper size and shape specified in the instructions.

-To assemble this unit you may be required to place the unit on it's side and face. It is strongly recommended that assembly is done on a soft, non-abrasive surface to avoid damaging the finish.

NOTES ON USE:

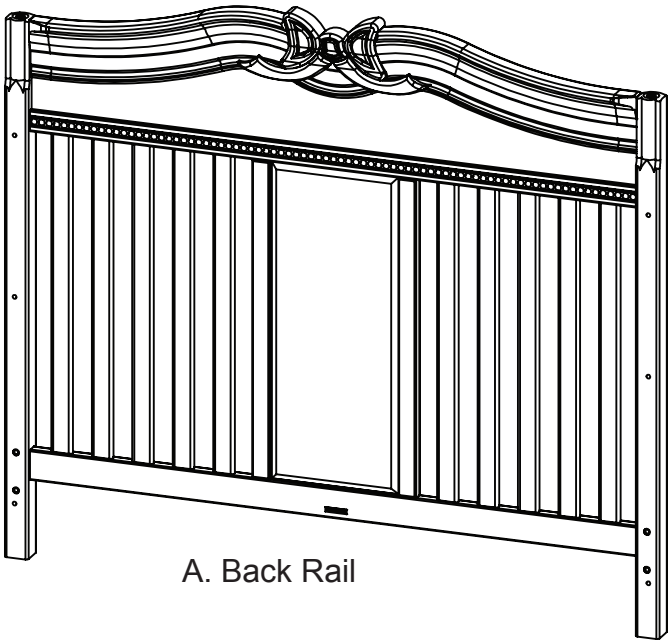
Keep children and others safe by following these simple rules:

- **Do not** allow any child to play on furniture
- **Do not** allow climbing on any piece of furniture.
- **Do not** allow hanging from any piece of furniture.
- Always monitor your child's activity when in the nursery.

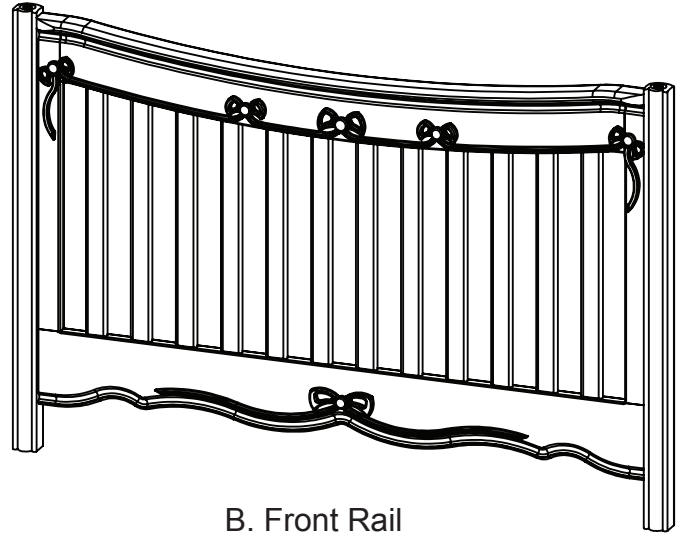
NOTES ON CARE AND MAINTENANCE:

- **Do not** scratch or chip the finish.
- Inspect the product periodically, contact delta children's products for replacement parts or questions.
- **Do not** store the product or any parts in extreme temperatures and conditions such as a hot attic or a damp, cold basement. These extremes can cause a loss of structural integrity.
- To preserve the luster of the high quality finish on your product, it is recommended to place a doily or felt pad under any items you place on the finish.
- Clean with a damp cloth, then a dry cloth to preserve the original luster and beauty of this fine finish.
- Do not** use abrasive chemicals.
- Do not** spray cleaners directly onto furniture.
- Lift slightly when moving on carpeting to prevent leg breakage.
- Use of a vaporizer near furniture will cause wood to swell and finish to peel.

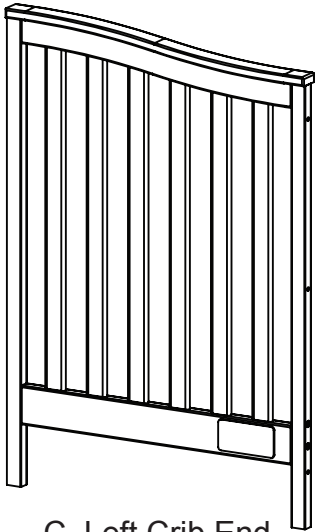
PARTS: MAKE SURE THAT ALL PRE-ASSEMBLED PARTS ARE TIGHT.



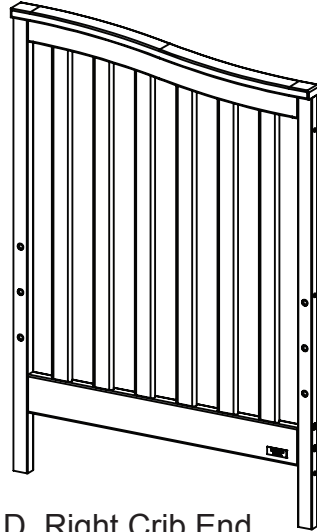
A. Back Rail



B. Front Rail



C. Left Crib End



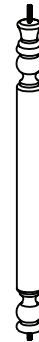
D. Right Crib End



F. Long Canopy Rail x2



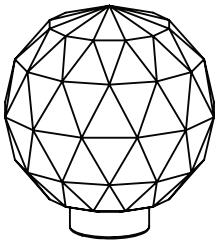
G. Short Canopy Rail x2



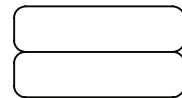
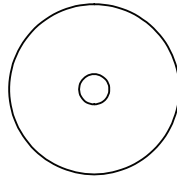
H. Short Canopy Post x2



J. Long Canopy Post x2



K. Crystal Ball x4



L. Spacer x4



M. M6x60mm Bolt x6



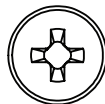
N. M6x40mm Bolt x6



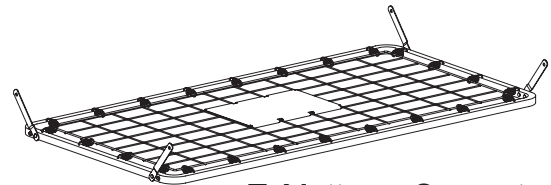
P. M6x15mm Bolt x12



R. M6x15mm Large Head Bolt x4



S. M6 Cap Nut x4



T. Mattress Support

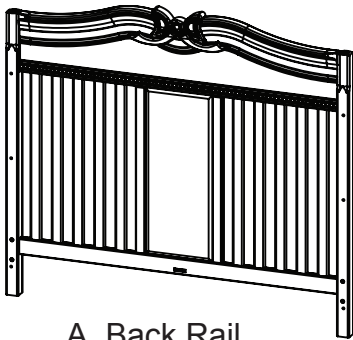


M4 Allen Wrench

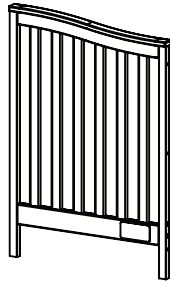
SECTION 1: CRIB ASSEMBLY

STEP 1

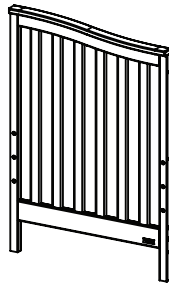
PARTS AND TOOLS REQUIRED TO COMPLETE STEP



A. Back Rail



C. Left Crib End



D. Right Crib End

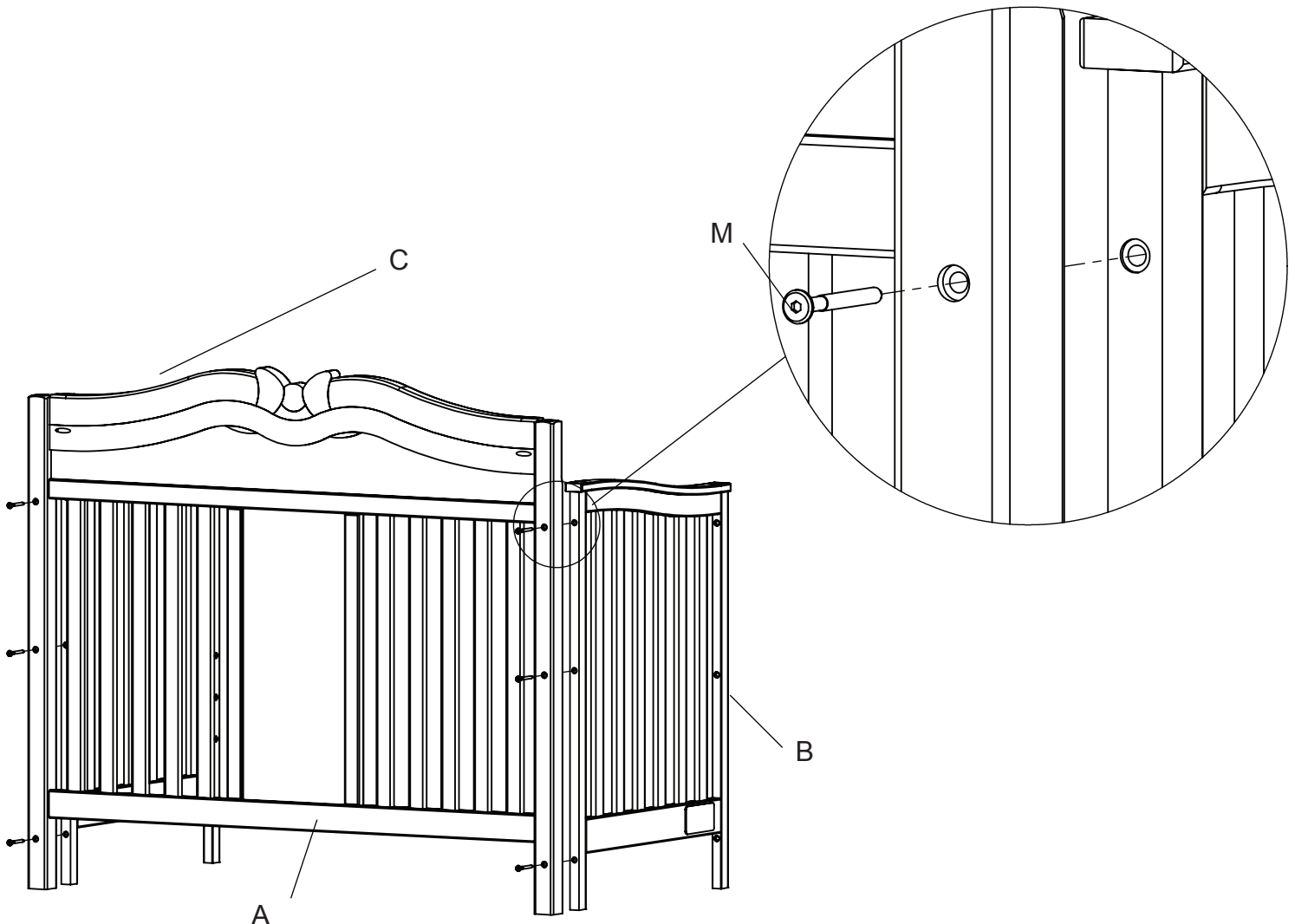


M4 Allen Wrench



M. M6x60mm Bolt x6

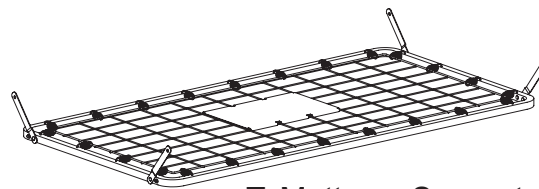
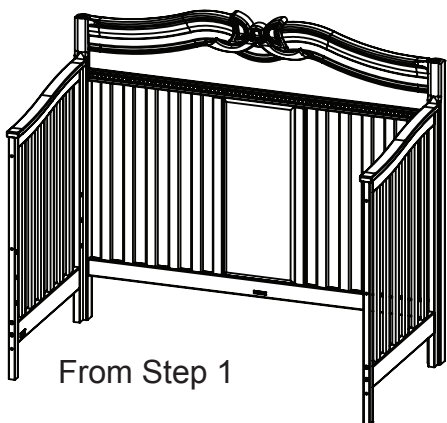
Attach the Left Crib End (Part C) and the Right Crib End (Part D) to the Back Rail (Part A) using (6) M6x60mm Bolts (Part M). Tighten with the M4 Allen wrench supplied.



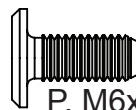
SECTION 1: CRIB ASSEMBLY

STEP 2

PARTS AND TOOLS REQUIRED TO COMPLETE STEP



T. Mattress Support



P. M6x15mm Bolt x12

⚠ WARNING

Fall Hazard: When child is able to pull to a standing position or reaches a height of 35in (90cm) whichever occurs first, set mattress to lowest position and remove bumper pads, large toys and other objects that could serve as steps for climbing out.

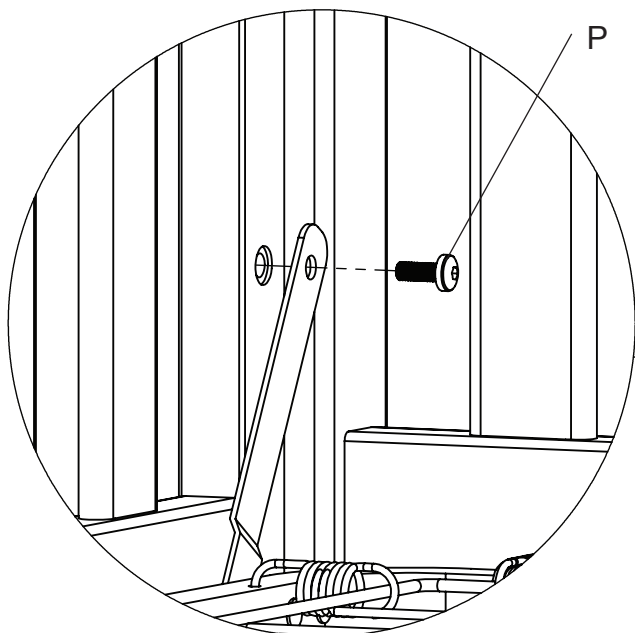
Attach the Mattress Support (Part T) in all corners using (1) M6x15mm Bolt (Part P) in each corner. Do not tighten any of the bolts until all have been started. Use the M4 Allen Wrench to tighten the bolts.

The ⚠ WARNINGS printed on the pouch attached to the mattress support must face up, the springs must face up.

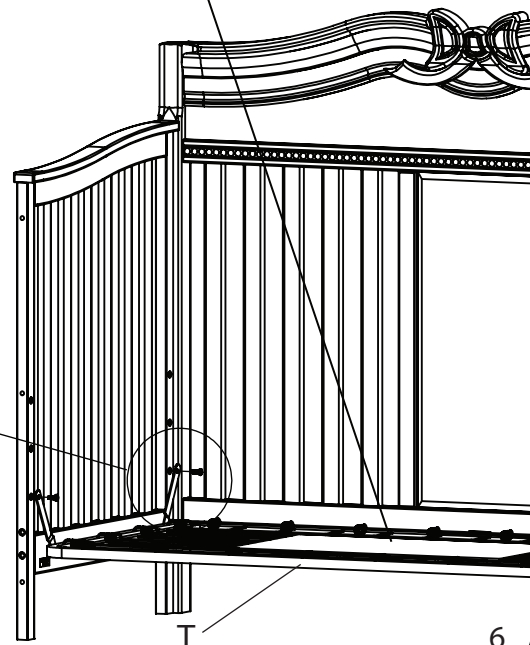
This crib has (3) adjustment positions, use the highest only for newborns, move the mattress down as the child grows.

EACH CORNER

⚠ WARNINGS MUST FACE UP



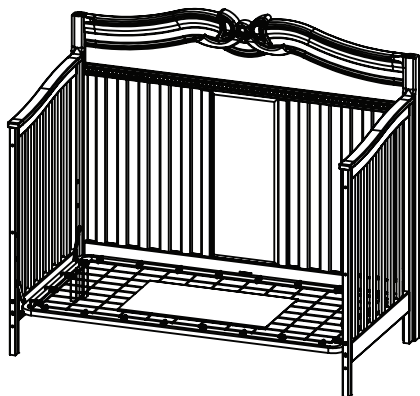
UP
↑



SECTION 1: CRIB ASSEMBLY

STEP 3

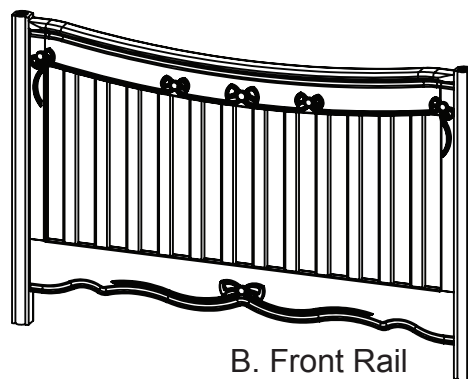
PARTS AND TOOLS REQUIRED TO COMPLETE STEP



From Step 2



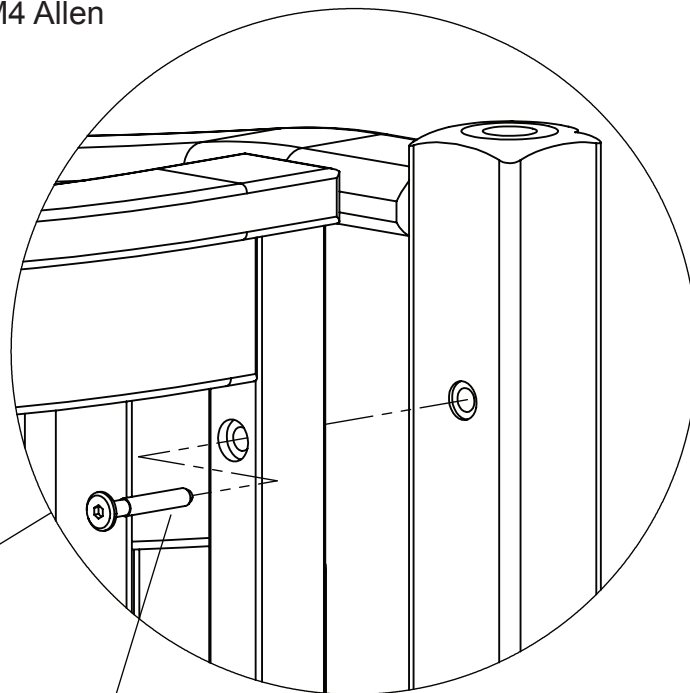
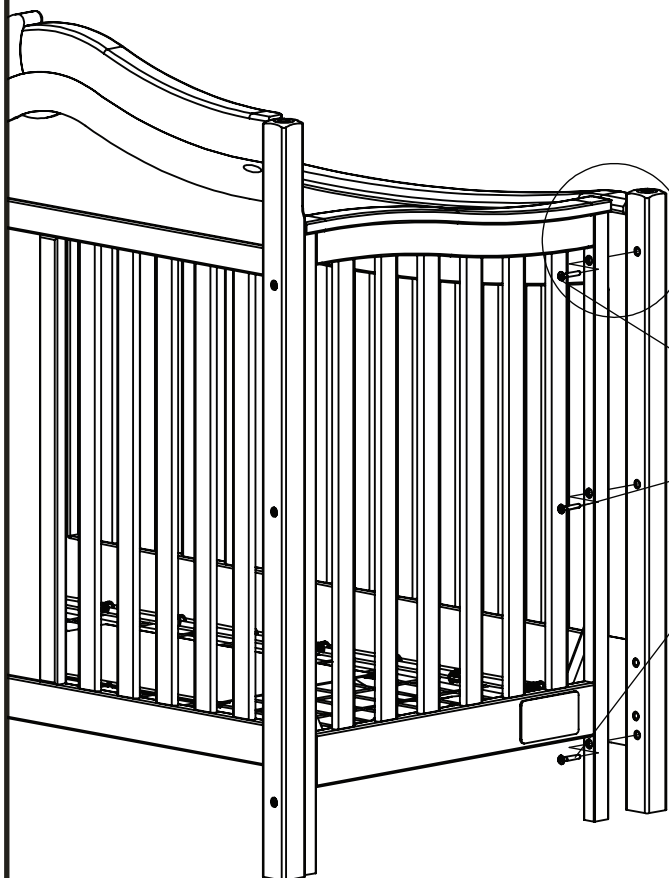
N. M6x40mm Bolt x6



B. Front Rail

Attach the Front Rail (Part B) to the assembly from Step 2 using (6) M6x40mm Bolts (Part N) Tighten with the M4 Allen Wrench.

Note: only the right side is shown below.

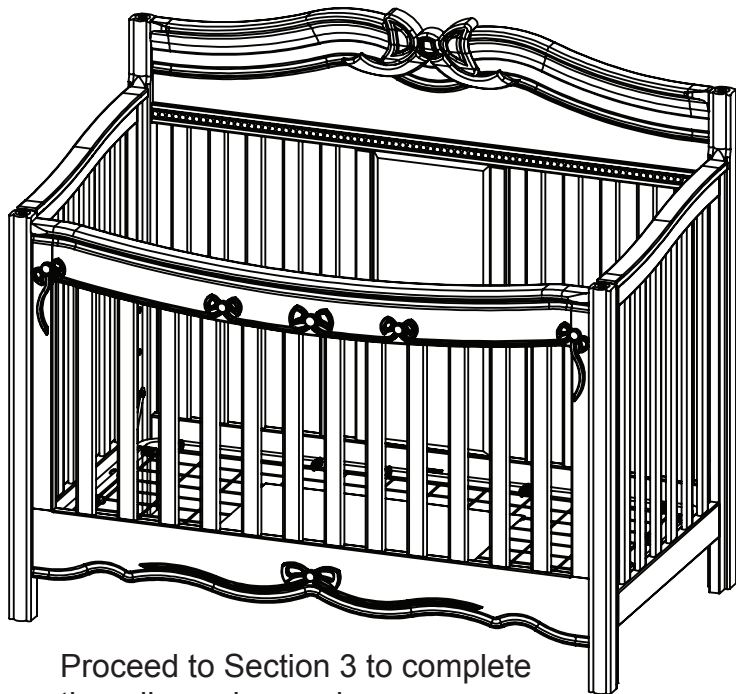


SECTION 1: CRIB ASSEMBLY

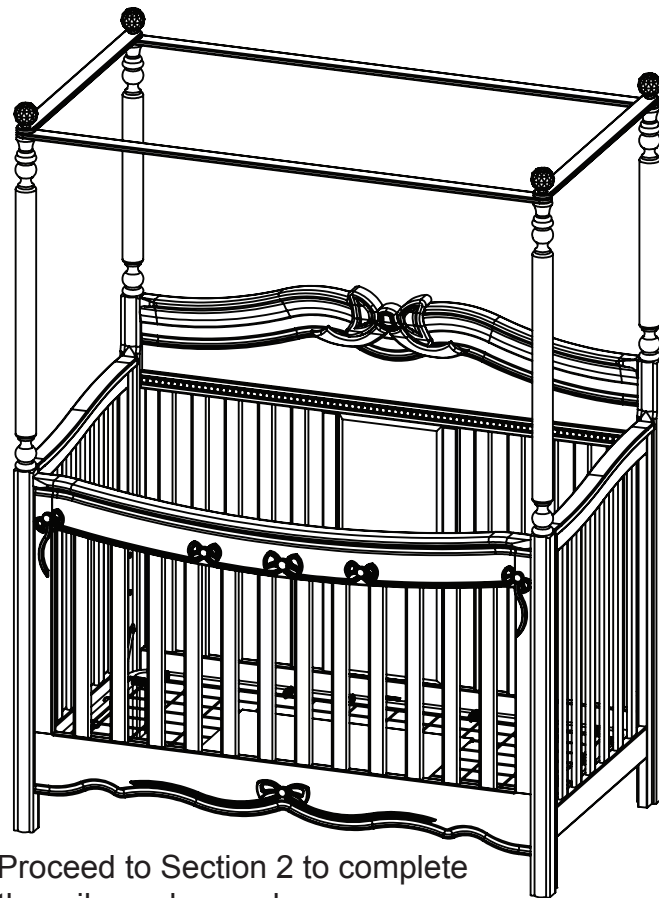
STEP 4

⚠ CAUTION

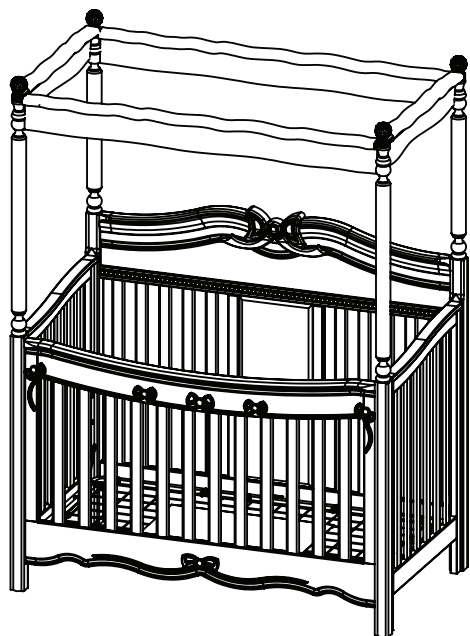
The crib is **NOT** completely assembled at this point. Section 2 or Section 3 **MUST** be completed.



Proceed to Section 3 to complete the crib as shown above.



Proceed to Section 2 to complete the crib as shown above.



A valance may be installed, see Section 2 Steps 1 and 2B.

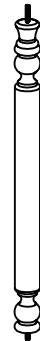
SECTION 2: CANOPY OPTION

STEP 1

PARTS AND TOOLS REQUIRED TO COMPLETE STEP



From Section 1 Step 3

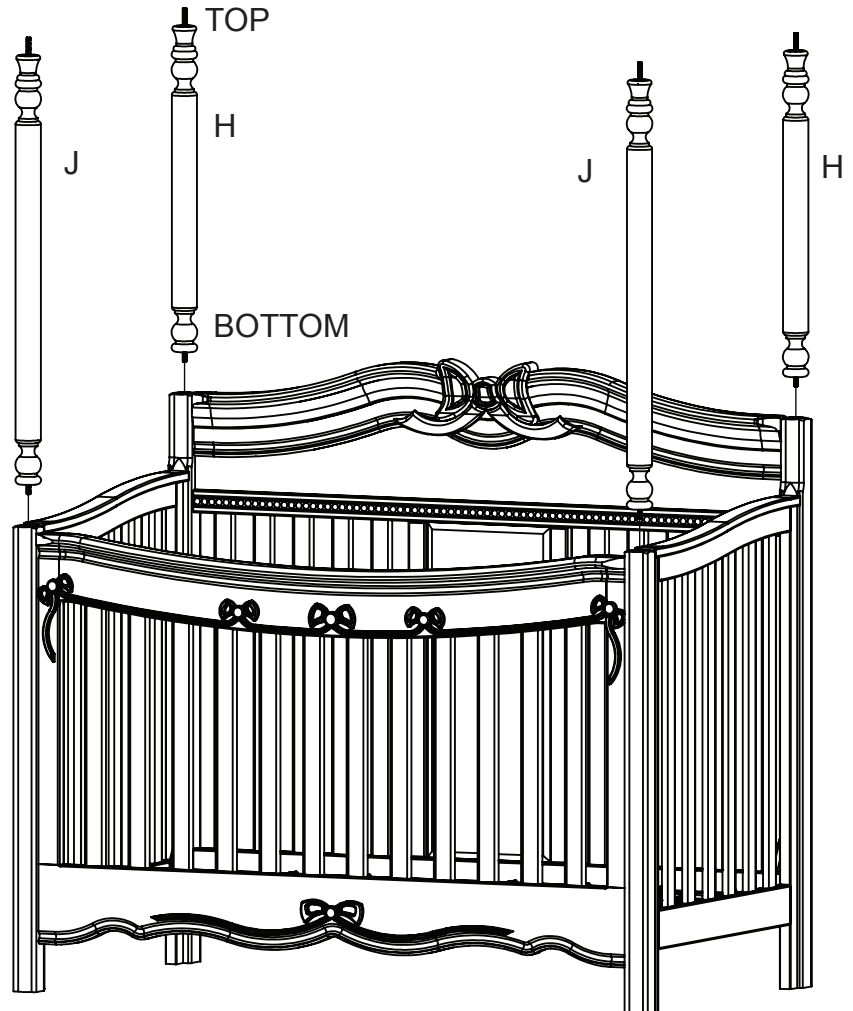
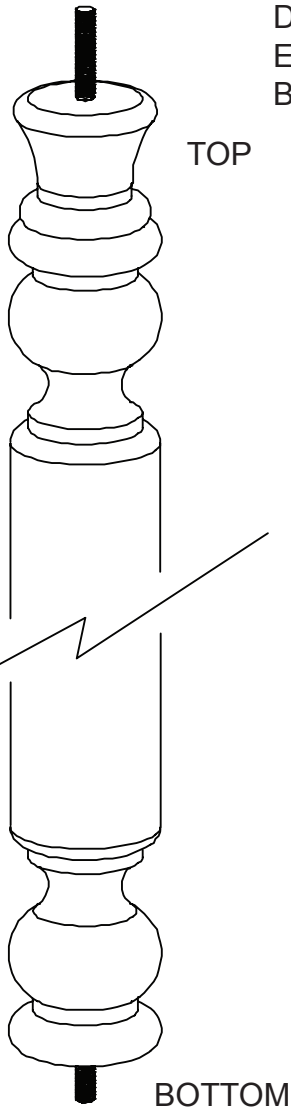


H. Short Canopy Post x2



J. Long Canopy Post x2

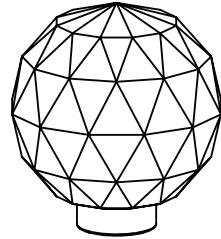
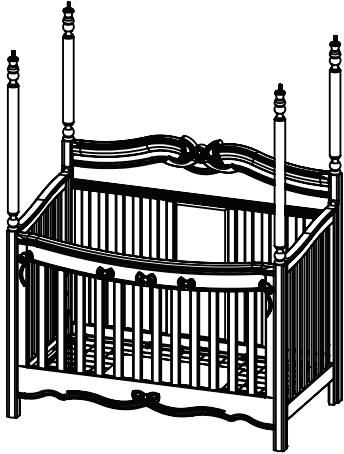
Install the Short Canopy Posts (Part H) into the back posts of the Crib. Install the Long Canopy Posts (Part J) into the Back posts of the Crib. DO NOT use tools, Hand tighten only ENSURE the Top of the canopy posts are at the Top and that the Bottom of the canopy posts are at the bottom.



SECTION 2: CANOPY OPTION

STEP 2A

PARTS AND TOOLS REQUIRED TO COMPLETE STEP



K. Crystal Ball x4



F. Long Canopy Rail x2

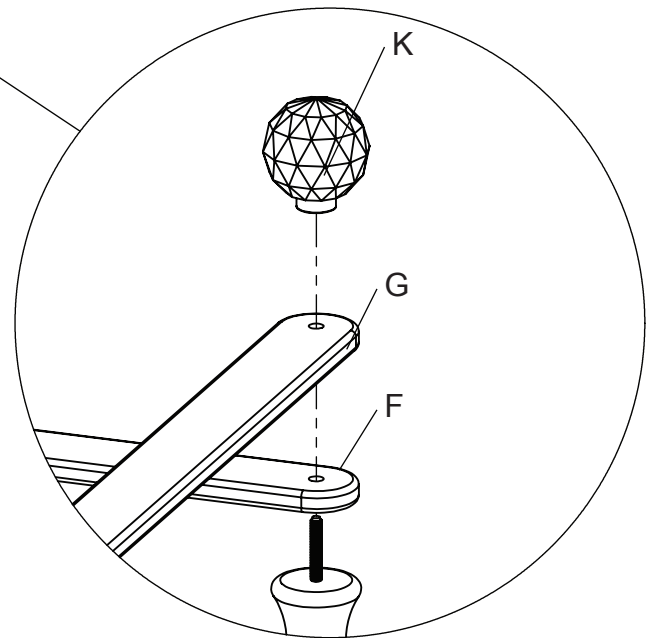
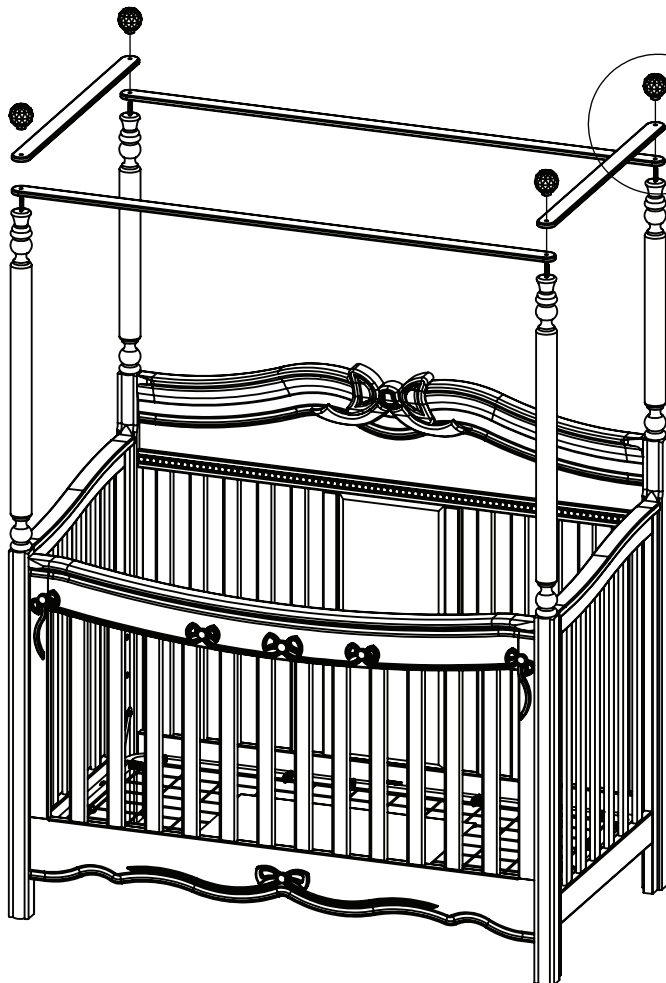


G. Short Canopy Rail x2

Install the Canopy rails:

1. Place the Long Canopy Rails (Part F) over the bolts on top of the Canopy Posts installed in step 1.
2. Place the Short Canopy Rails (Part G) over the bolts and Long Canopy Rails.
3. In each corner hand tighten (1) Crystal Ball (Part K) to secure the rails, DO NOT USE Tools.

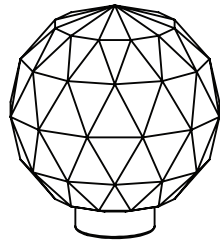
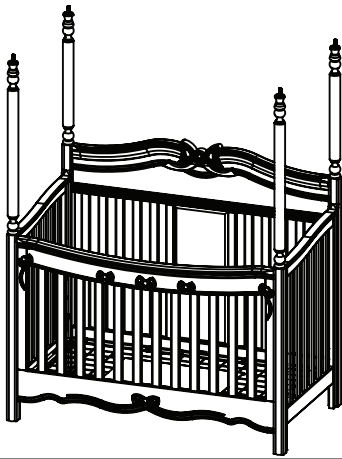
Note: A valance can be added, see Step 2B of this section for instructions, DO NOT follow this step.



SECTION 2: CANOPY OPTION

STEP 2B - Valance

PARTS AND TOOLS REQUIRED TO COMPLETE STEP



K. Crystal Ball x4



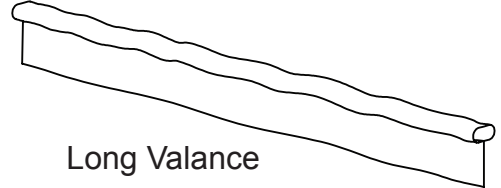
Short Valance



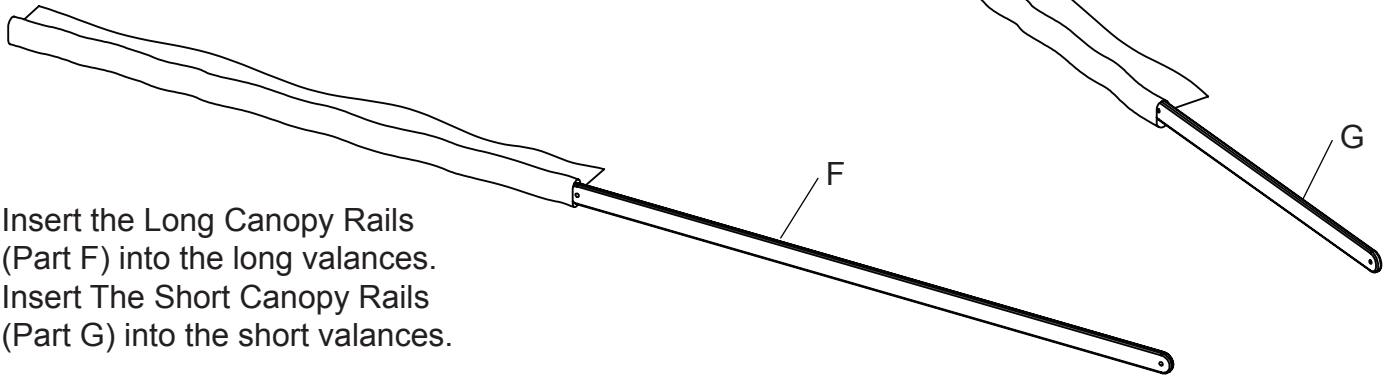
F. Long Canopy Rail x2



G. Short Canopy Rail x2



Long Valance

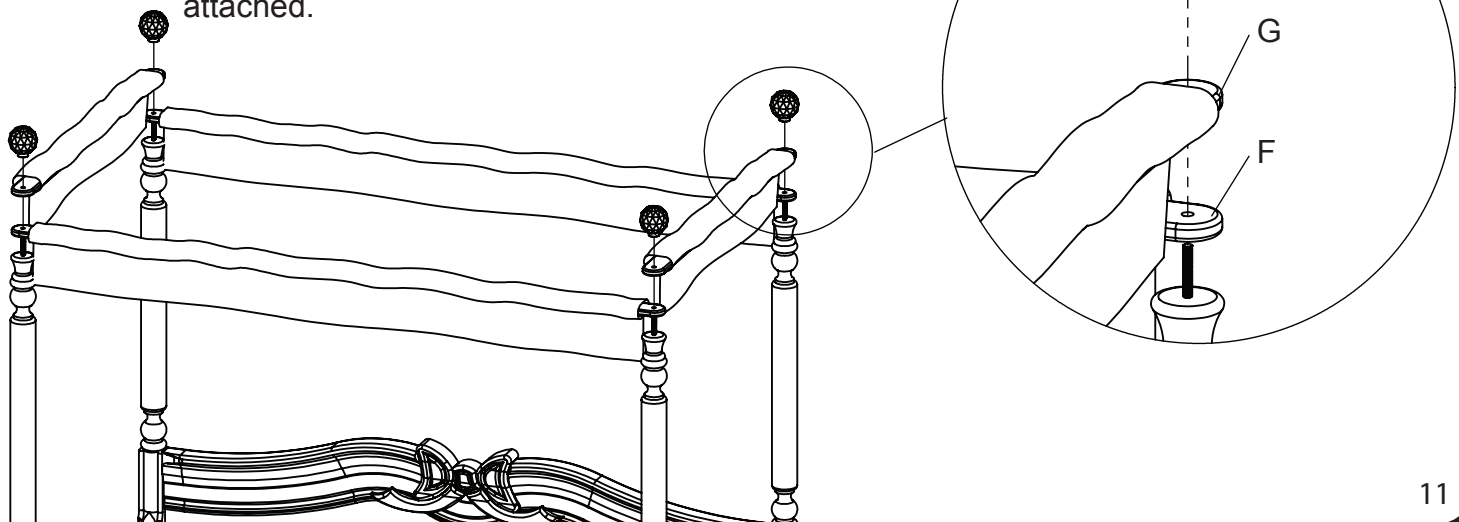


Insert the Long Canopy Rails (Part F) into the long valances. Insert The Short Canopy Rails (Part G) into the short valances.

Install the Canopy rails:

1. Place the Long Canopy Rails with Valances over the bolts on top of the Canopy Posts installed in step 1.
2. Place the Short Canopy Rails with Valances over the bolts and Long Canopy Rails.
3. In each corner hand tighten (1) Crystal Ball (Part K) to secure the rails, DO NOT USE Tools.

Note: Valance must be installed before the rails are attached.



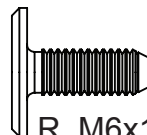
SECTION 3: NO CANOPY OPTION

STEP 1

PARTS AND TOOLS REQUIRED TO COMPLETE STEP



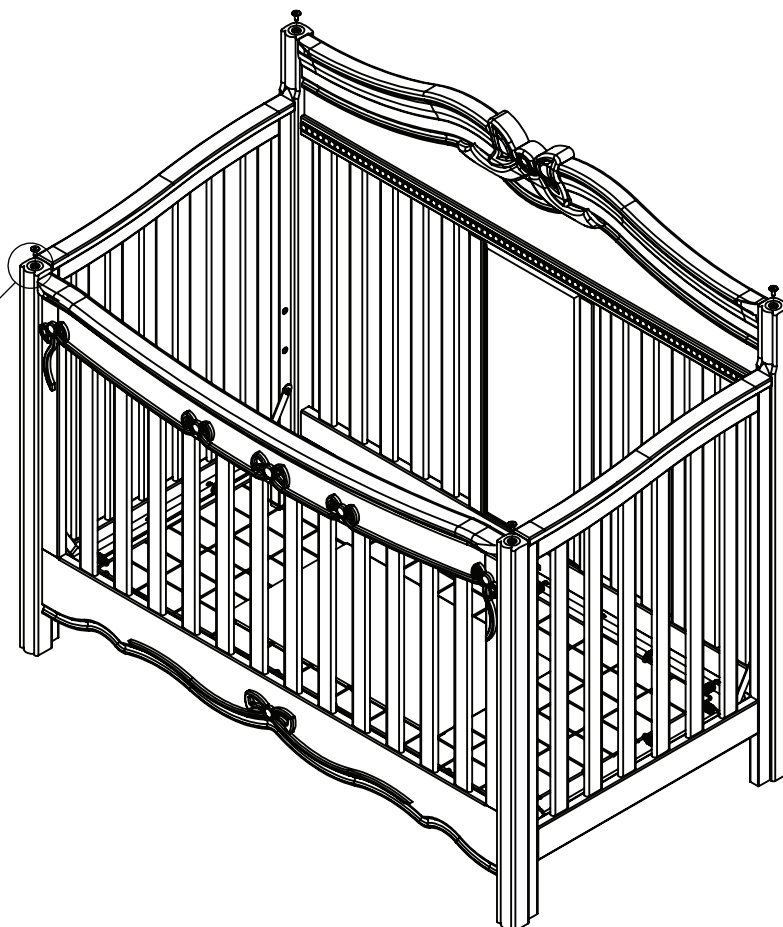
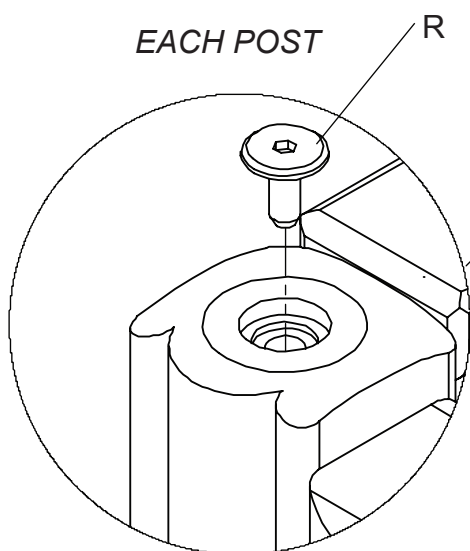
From Section 1 Step 3



R. M6x15mm Large
Head Bolt x4

If you choose not to install the Canopy - Store all canopy parts safely,
see page 3.

Install (1) M6x15mm Large Head Bolt (Part R) into the top of each
post.



OPTIONAL CONVERSION

This Crib can be converted to a toddler bed and day bed with the purchase of Delta Children's Products Item 0085 - Toddler Bed Conversion Kit.

⚠ WARNING

This crib **CANNOT** be converted to a toddler bed or day bed without the Toddler Bed Conversion Kit.

⚠ WARNING

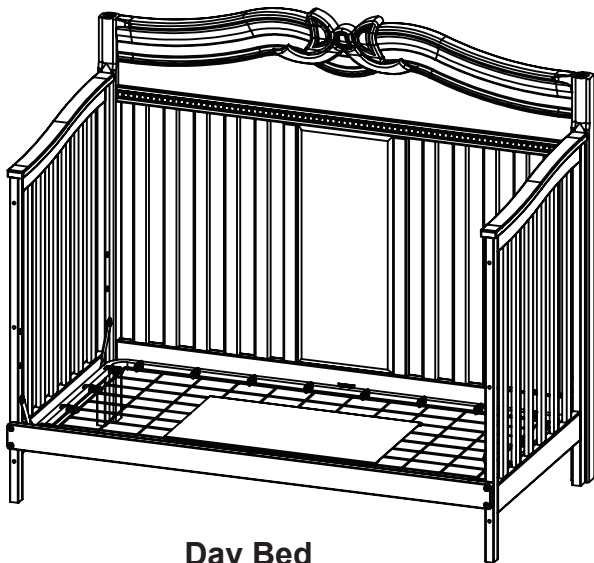
INFANTS HAVE DIED IN TODDLER BEDS FROM ENTRAPMENT.

Openings in and between bed parts can entrap head and neck of a small child.
NEVER use bed with children younger than 15 months.
ALWAYS follow assembly instructions.

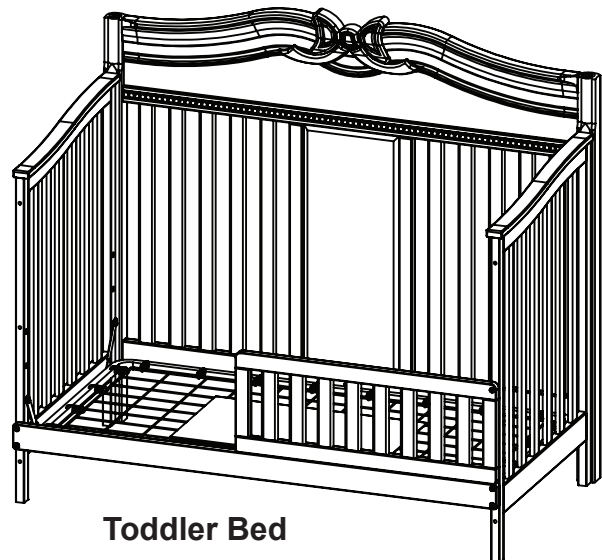
⚠ CAUTION

ENTRAPMENT HAZARD

To avoid dangerous gaps, any mattress used in this bed shall be a full-size crib mattress at least 51 5/8 in (1310mm) in length, 27 1/4 in (690mm) in width and 4 in (100mm) in thickness. The mattress thickness must not exceed 6 in (150mm).



Day Bed



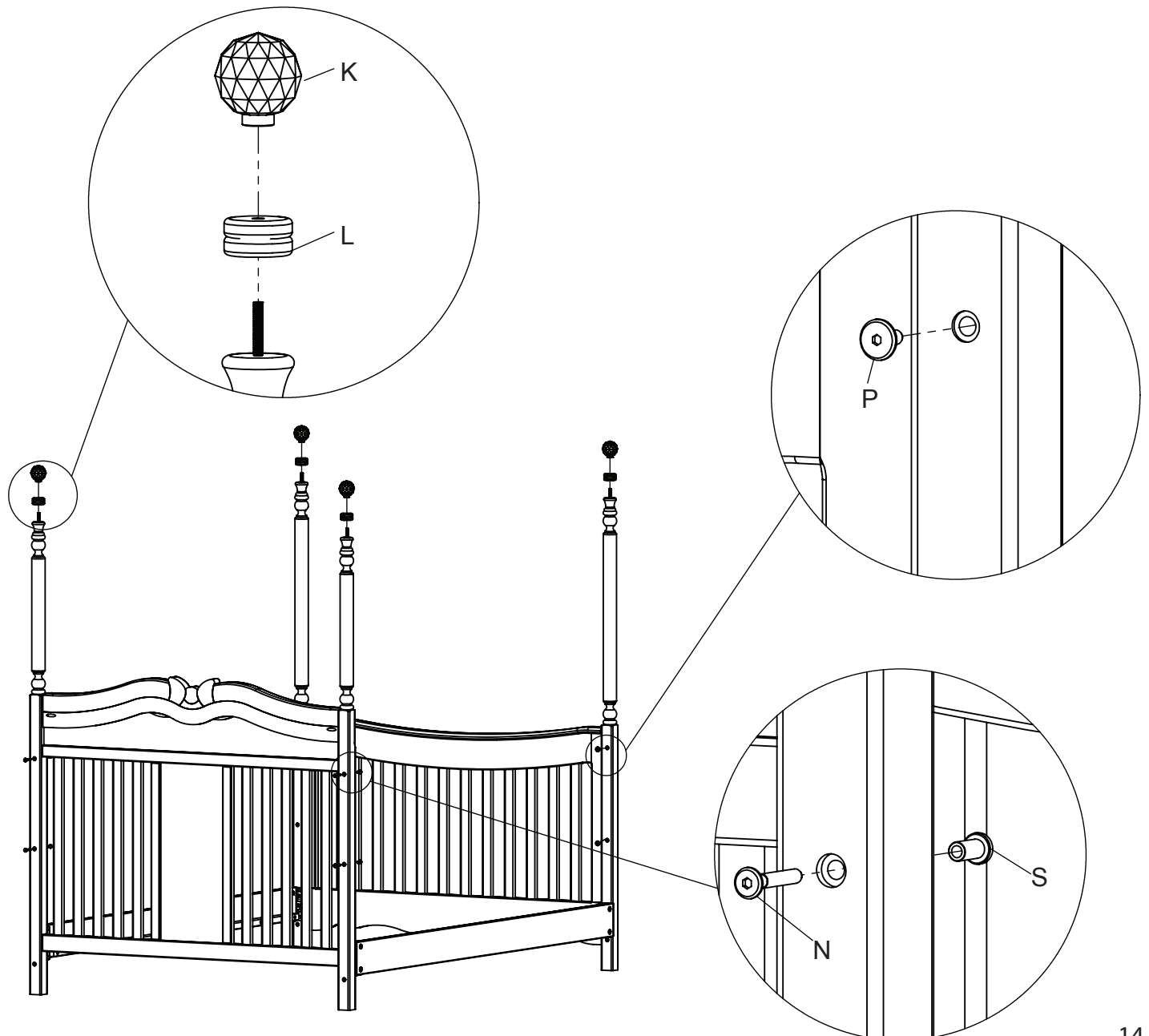
Toddler Bed

SECTION 4: Full Bed Conversion

STEP 1

This crib can be converted to a Full size Bed with the purchase of Delta Children's Products Item 0030 - Full Size Bed Rail Kit.

1. Disassemble the crib by reversing the instructions.
2. Attach the bed rails to the Footboard - Front Rail (Part B), and the Headboard - Back Rail (Part A) following the instructions included with them. There are (8) M6x15mm Bolts (Part P) that may be used, if directed in the instructions.
3. Install (4) M6x15mm Bolts (Part P) in the Upper holes on the back side of the Footboard
4. Install (4) M6x40mm Bolts (Part N) with (4) M6 Cap Nuts (Part S) into the upper holes on the headboard.
5. Attach the canopy posts if desired (see Section 2 Step 1). The canopy posts are not required to be attached (see Section 3 Step 1), install (4) M6x15mm Large Head Bolts (Part R).
6. Install the Spacers (Part L) over the top bolts in the Canopy posts.
7. Tighten the Crystal Balls (Part K) by hand on top of each Spacer.



SECTION 4: Full Bed Conversion

STEP 2



Completed Full size Bed.

Note: Bed rails may appear slightly different, shown for illustration only.
Contact Delta Children's Products Consumer Care with any questions.



Children's Products

Consumer Care:

www.DeltaChildren.com

Delta Children's Products

114 West 26th Street

New York, NY 10001

Tele.212-645-9033

Warranty: This Delta Crib is warranted to be free from defects for a period of 1 year from the date of purchase under normal use. This warranty extends only to the original retail purchaser and is valid only when supplied with proof of purchase, or if received as a gift, when the registration is on file with Delta.

To register your product for important safety alerts and updates to your product please visit www.DeltaChildren.com

Please do not return this item to the store before contacting us about missing parts or with any questions.

To report a problem, please log on to www.DeltaChildren.com and click the Consumer Care Tab, or contact us by phone at (212) 645-9033.

In the event that you need to contact our customer service department please have the Style Number and Lot Number available. Use the space below to make note of those numbers. They can be found on the label on the Crib End bottom rail.

STYLE No: 7052

COLOR

REV

FTY

Lot No. : _____

Pack Date: _____

Date of Purchase: _____ (you should also keep your receipt)