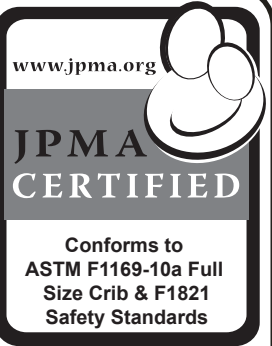


READ ALL INSTRUCTIONS BEFORE
ASSEMBLY AND USE.

KEEP INSTRUCTIONS FOR FUTURE USE.
⚠️ ADULT ASSEMBLY REQUIRED
DUE TO THE PRESENCE OF SMALL PARTS
DURING ASSEMBLY, KEEP OUT OF REACH OF
CHILDREN UNTIL ASSEMBLY IS COMPLETE.

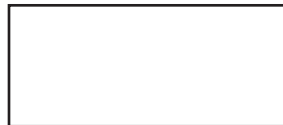


DeltaTM
Children's Products

Consumer Care:
www.DeltaChildren.com
Delta Children's Products
114 West 26th Street
New York, NY 10001
Tele.212-645-9033



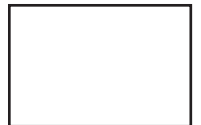
STYLE No: 64010



COLOR



REV



FTY

THIS PRODUCT IS NOT INTENDED FOR INSTITUTIONAL OR COMMERCIAL USE.

If you have any questions or missing parts, contact us. DO NOT return product parts to the store from where it was purchased before contacting Delta Children's Products Customer Service. Make sure that all preassemble parts are tight. The appearance of your product may be different from that pictured in this booklet.

To register your product for important safety alerts and updates to your product please visit www.DeltaChildren.com

CAUTION:

ANY MATTRESS USED IN THIS CRIB SHALL BE AT LEAST 27 1/4 BY 51 5/8 IN. WITH A THICKNESS NOT EXCEEDING 6 IN.

WARNING:

*Infants can suffocate on soft bedding. Never add a pillow or comforter. Never place additional padding under an infant.

*Failure to follow these warnings and the assembly instructions could result in serious injury or death.

DO NOT use this crib if you cannot exactly follow the accompanying instructions.

*To reduce the risk of SIDS, pediatricians recommend healthy infants be placed on their backs to sleep, unless otherwise advised by your physician.

***Strangulation Hazard:** STRINGS CAN CAUSE STRANGULATION! **Do not** place items with a string around a child's neck, such as hood strings or pacifier cords. **Do not** suspend strings over a crib or attach strings to toys.

***Strangulation Hazard:** To help prevent strangulation tighten all fasteners. A child can trap parts of the body or clothing on loose fasteners.

***Strangulation Hazard:** **Do not** place crib near window or patio door where cords from blinds or drapes may strangle a child.

***Fall Hazard:** When child is able to pull to a standing position, set mattress to lowest position and remove bumper pads, large toys and other objects that could serve as steps for climbing out. This crib has an adjustable mattress support. For the convenience of the parent when the baby is very small, the mattress support may be used in the highest position. Important: with the mattress support and mattress in the highest position, be absolutely sure that the top of the front crib side is at least 3 inches higher than the top surface of the mattress. If it is not, lower the mattress support and the mattress to the next highest position.

***Fall Hazard:** Stop using crib when child begins to climb out or reaches a height of 35in. (89cm), whichever occurs first. The child should be placed in a youth or regular bed.

*Check this product for damaged hardware, loose joints, loose bolts or other fasteners, missing parts, or sharp edges before and after assembly and frequently during use. Securely tighten loose bolts and other fasteners. **Do not use crib** if any parts are missing, damaged or broken. Contact Delta Children's Products for replacement parts and instructional literature if needed. Do not substitute parts.

*Follow warnings on **all** products in a crib.

*If refinishing, use a non-toxic finish specified for children's products.

***Never** use plastic shipping bags or other plastic film as mattress covers because they can cause suffocation.

*Infants can suffocate in gaps between crib sides and a mattress that is too small.

*Ensure a safe environment for the child by checking regularly, before placing the child in the crib, that every component is properly and securely in place.

*To avoid head injury, do not allow any child to play underneath the crib.

***Never** add an accessory such as a bassinet or changing table that extends over the sleeping area.

***In Canada Only** - Use a crib mattress that is no thicker than 15 cm and is of such a size that, when it is pushed firmly against any side of the crib, it does not leave a gap of more than 3 cm between the mattress and any part of the sides of the crib. Do not use this crib for a child who can climb out of it or who is taller than 90 cm.

TODDLER BED

⚠️WARNING

INFANTS HAVE DIED IN TODDLER BEDS FROM ENTRAPMENT.

Openings in and between bed parts can entrap head and neck of a small child.

NEVER use bed with children younger than 15 months.

ALWAYS follow assembly instructions.

The maximum user weight is 50lbs (22.7kg)

⚠️WARNING

STRANGULATION HAZARD

NEVER place bed near windows where cords from blinds or drapes may strangle a child.

NEVER suspend strings over a bed.

NEVER place items with a string, cord, or ribbon, such as hood strings or pacifier cords, around a child's neck. These items may catch on bed parts.

⚠️CAUTION

ENTRAPMENT HAZARD

To avoid dangerous gaps, any mattress used in this bed shall be a full-size crib mattress at least 51 5/8 in (1310mm) in length, 27 1/4 in (690mm) in width and 4 in (100mm) in thickness. The mattress thickness must not exceed 6 in (150mm).

NOTES ON ASSEMBLY:

- During the assembly process whenever using screws or bolts, check each by placing the screw/bolt on the diagram of the item which is drawn actual size and design. Be sure to use the proper size and shape specified in the instructions.
- To assemble this unit you may be required to place the unit on it's side and face. It is strongly recommended that assembly is done on a soft, non-abrasive surface to avoid damaging the finish.

NOTES ON USE:

Keep children and others safe by following these simple rules:

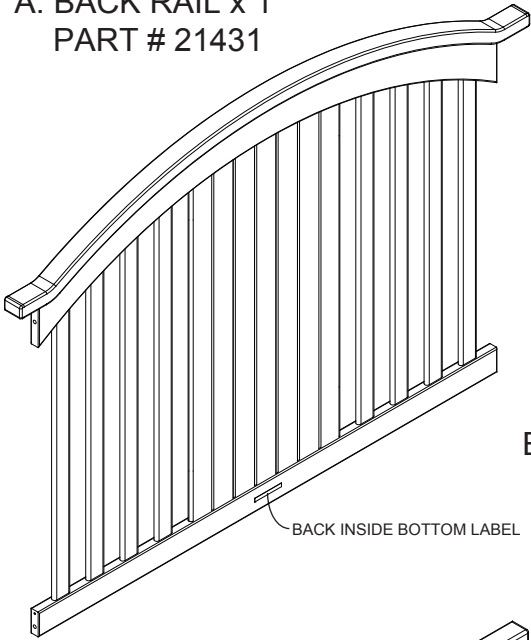
- **Do not** allow any child to play on furniture
- **Do not** allow climbing on any piece of furniture.
- **Do not** allow hanging from any piece of furniture.
- Always monitor your child's activity when in the nursery.

NOTES ON CARE AND MAINTENANCE:

- **Do not** scratch or chip the finish.
- Inspect the product periodically, contact delta children's products for replacement parts or questions.
- **Do not** store the product or any parts in extreme temperatures and conditions such as a hot attic or a damp, cold basement. These extremes can cause a loss of structural integrity.
- To preserve the luster of the high quality finish on your product, it is recommended to place a doily or felt pad under any items you place on the finish.
- Clean with a damp cloth, then a dry cloth to preserve the original luster and beauty of this fine finish.
- Do not** use abrasive chemicals.
- Do not** spray cleaners directly onto furniture.
- Lift slightly when moving on carpeting to prevent leg breakage.
- Use of a vaporizer near furniture will cause wood to swell and finish to peel.

PARTS: MAKE SURE THAT ALL PRE-ASSEMBLED PARTS ARE TIGHT.

A. BACK RAIL x 1
PART # 21431



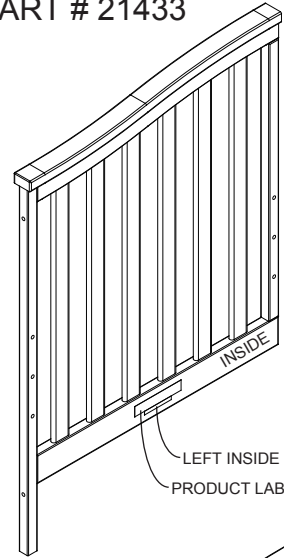
B. LEFT REAR
LEG x 1
PART # 21435



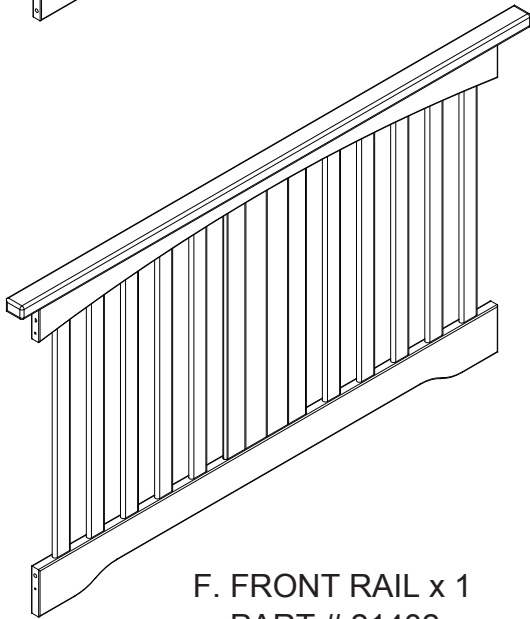
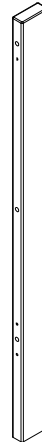
C. RIGHT REAR
LEG x 1
PART # 21436



D. LEFT CRIB END x 1
PART # 21433

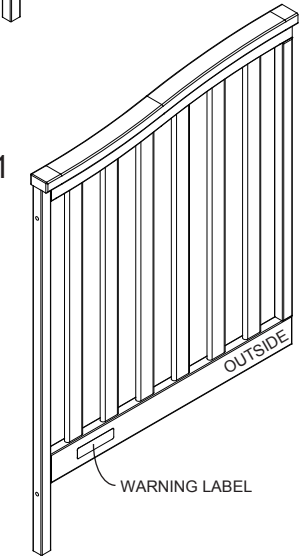


H. RIGHT FRONT LEG x 1
PART # 21438

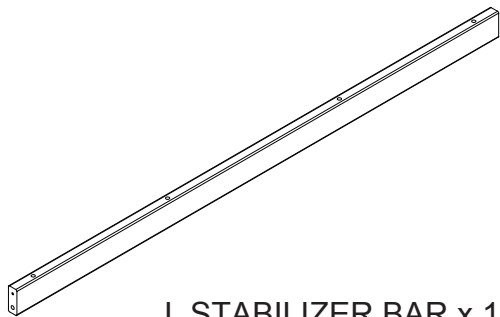


F. FRONT RAIL x 1
PART # 21432

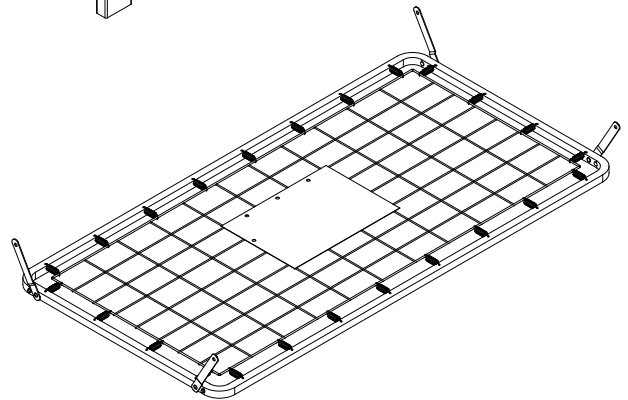
G. LEFT FRONT
LEG x 1
PART # 21437



E. RIGHT CRIB END x 1
PART # 21434



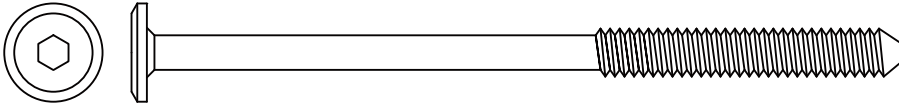
J. STABILIZER BAR x 1
PART # 21439



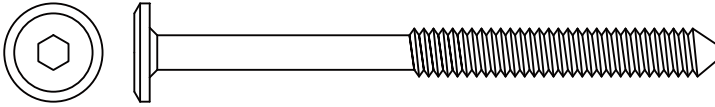
K. MATTRESS SUPPORT x 1
PART # 16945

POUCH ATTACHED TO MATTRESS SUPPORT
- KEEP INSTRUCTIONS IN THIS POUCH
AFTER ASSEMBLY.
WARNINGS RELATED TO THE SAFE USE OF
THIS CRIB ARE PRINTED ON THE POUCH.

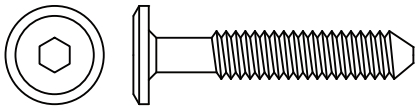
PARTS: HARDWARE KIT IS PART # 21440 FOR COLOR 144. SEE FRONT COVER.



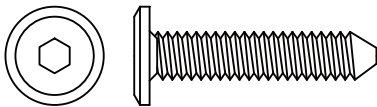
L. M6 x 100 mm BOLT x 6



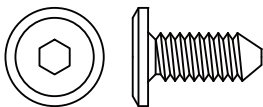
M. M6 x 75 mm BOLT x 4



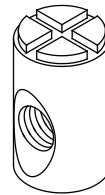
N. M6 x 35 mm BOLT x 4



P. M6 x 30 mm BOLT x 4



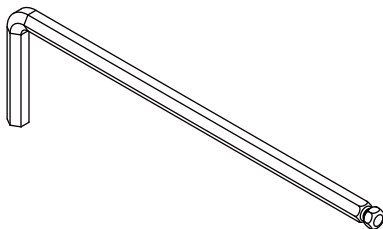
R. M6 x 15 mm BOLT x 8



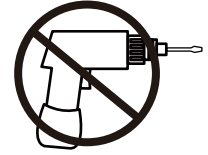
S. BARREL NUT x 6



T. Φ 4x30 mm METAL PIN x 8



M4 ALLEN WRENCH SUPPLIED



No drills necessary. Do not use power screwdriver.



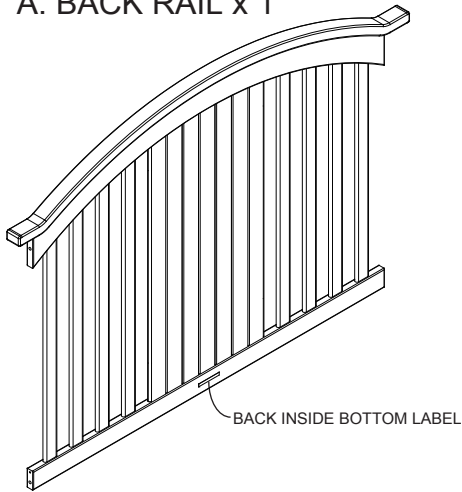
Flat Head Screwdriver (not supplied)

SECTION 1: CRIB ASSEMBLY

STEP 1

PARTS AND TOOLS REQUIRED TO COMPLETE STEP

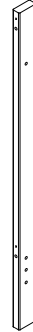
A. BACK RAIL x 1



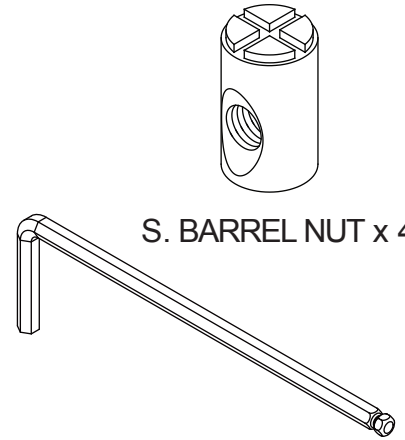
B. LEFT REAR LEG x 1



C. RIGHT REAR LEG x 1

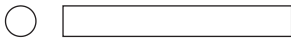


S. BARREL NUT x 4

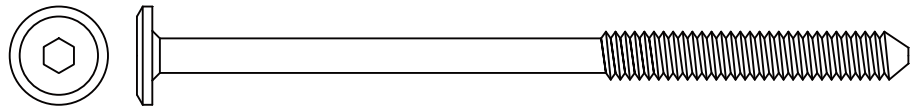


M4 ALLEN WRENCH SUPPLIED

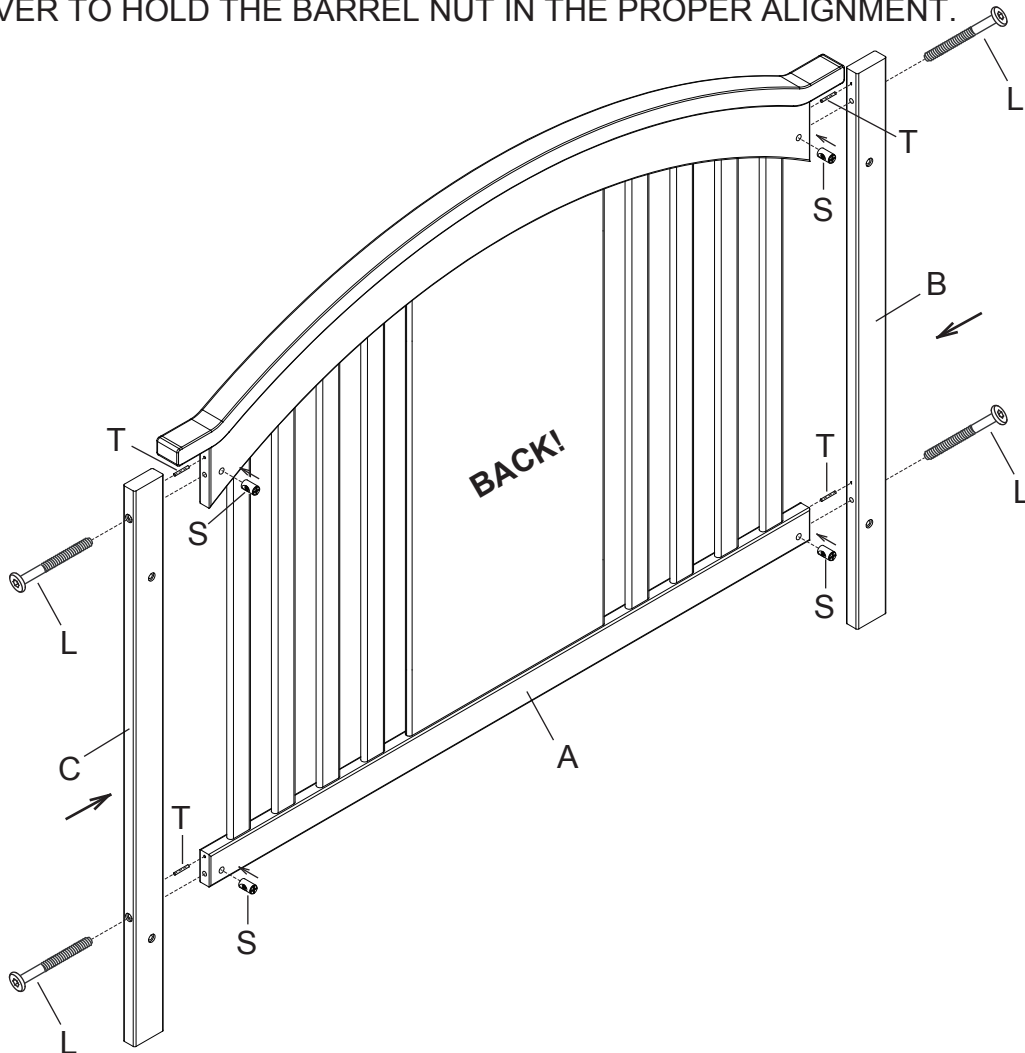
T. $\Phi 4 \times 30$ mm METAL PIN x 4



L. M6 x 100 mm BOLT x 4



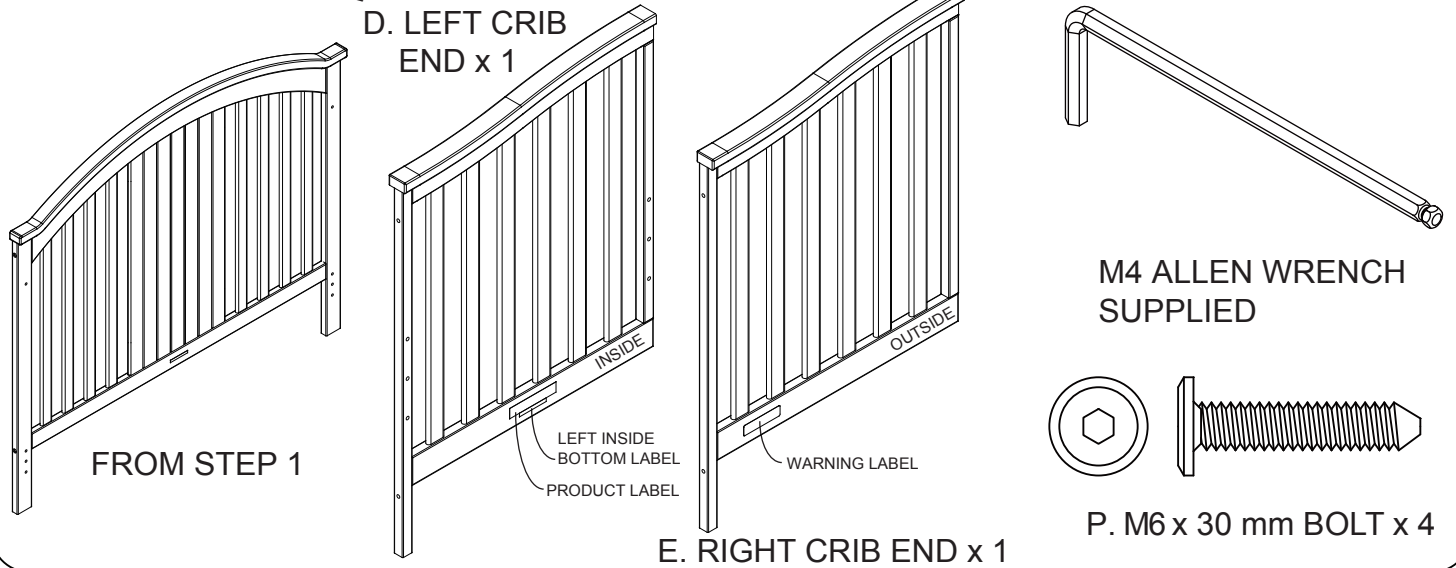
ATTACH (1) LEFT REAR LEG (PART B) AND (1) RIGHT REAR LEG (PART C) TO (1) BACK RAIL (PART A) USING (4) $\Phi 4 \times 30$ mm METAL PINS (PART T), (4) M6 x 100mm BOLTS (PART L) AND (4) BARREL NUTS (PART S). TIGHTEN WITH THE M4 ALLEN WRENCH. USE THE FLAT HEAD SCREWDRIVER TO HOLD THE BARREL NUT IN THE PROPER ALIGNMENT.



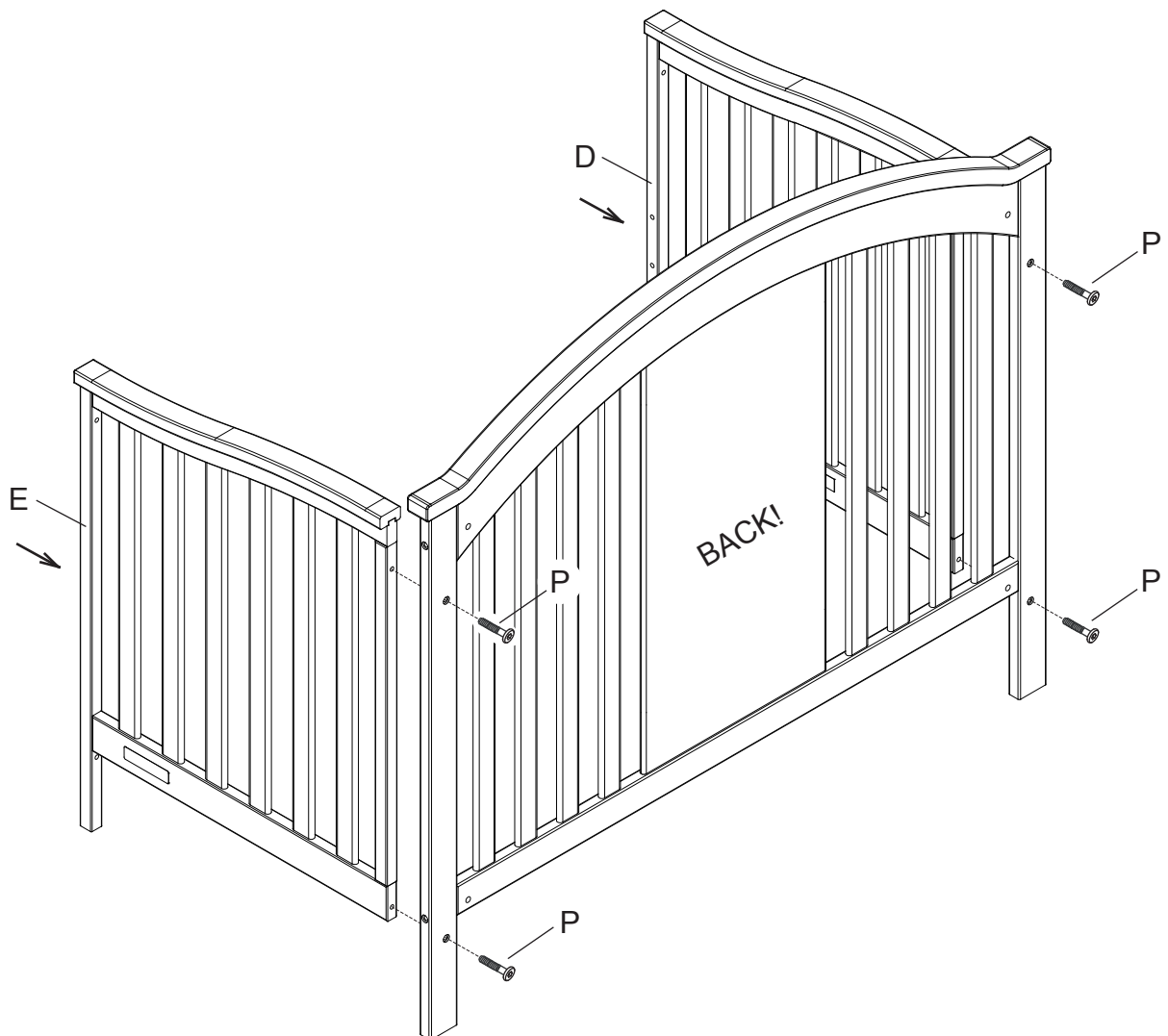
SECTION 1: CRIB ASSEMBLY

STEP 2

PARTS AND TOOLS REQUIRED TO COMPLETE STEP



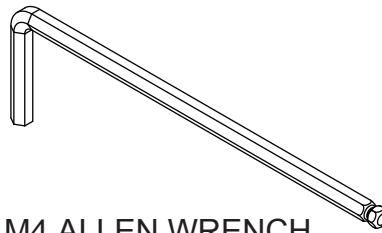
ATTACH (1) LEFT CRIB END (PART D) AND (1) RIGHT CRIB END (PART E) TO THE ASSEMBLY FROM STEP 1 USING (4) M6x30mm BOLTS (PART P). TIGHTEN WITH THE M4 ALLEN WRENCH.



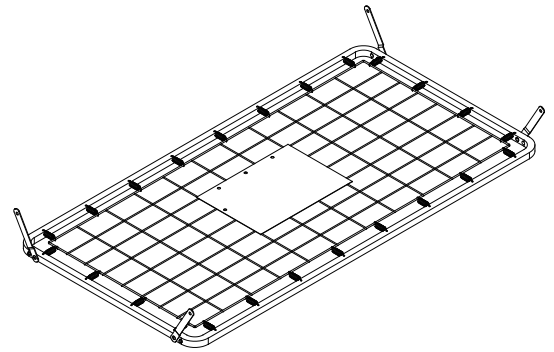
SECTION 1: CRIB ASSEMBLY

STEP 3

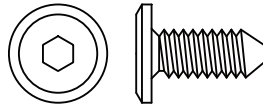
PARTS AND TOOLS REQUIRED TO COMPLETE STEP



M4 ALLEN WRENCH
SUPPLIED

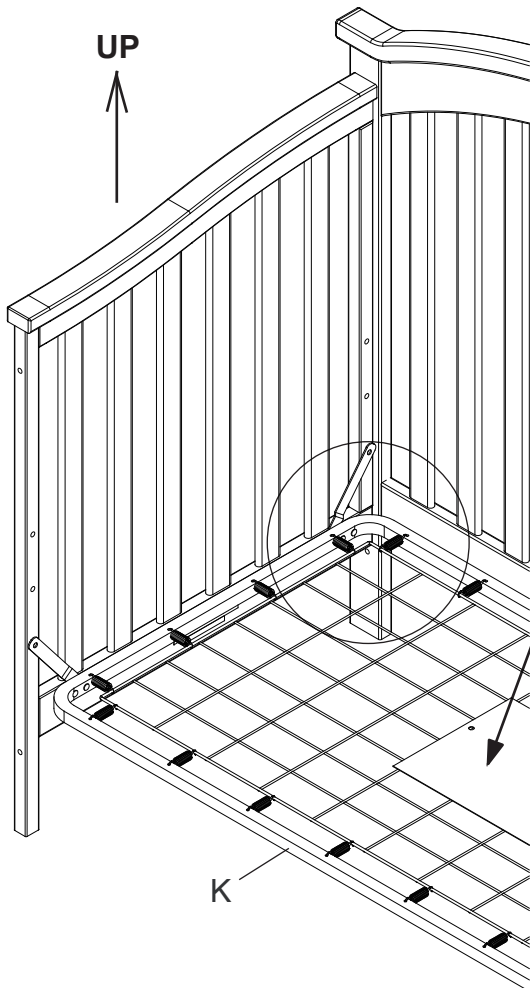


K. MATTRESS SUPPORT x 1



R. M6x15 mm BOLT x 4

ATTACH THE MATTRESS SUPPORT (PART K) IN ALL CORNERS USING (1) M6x15mm BOLT (PART R) IN EACH CORNER. TIGHTEN WITH THE M4 ALLEN WRENCH.



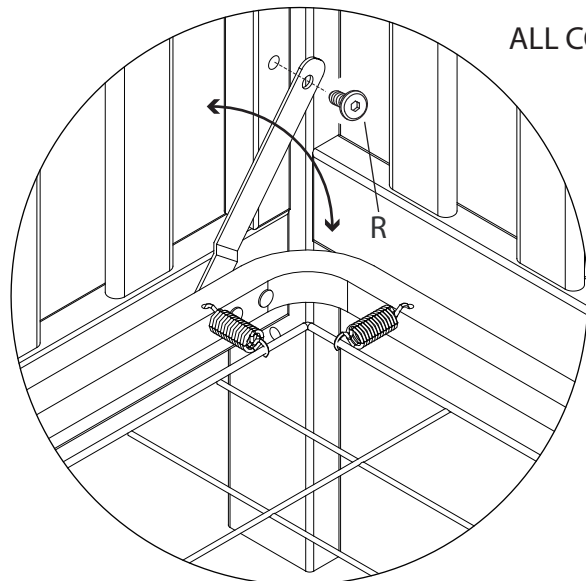
THE ⚠ WARNINGS PRINTED ON THE POUCH ATTACHED TO THE MATTRESS SUPPORT MUST FACE UP, THE SPRINGS MUST FACE UP.

THIS CRIB HAS (3) ADJUSTMENT POSITIONS, USE THE HIGHEST ONLY FOR NEW BORN, MOVE THE MATTRESS DOWN AS THE CHILD GROWS.

⚠ WARNING:

FALL HAZARD: WHEN CHILD IS ABLE TO PULL TO A STANDING POSITION, SET MATTRESS TO LOWEST POSITION AND REMOVE BUMPER PADS, LARGE TOYS AND OTHER OBJECTS THAT COULD SERVE AS STEPS FOR CLIMBING OUT.

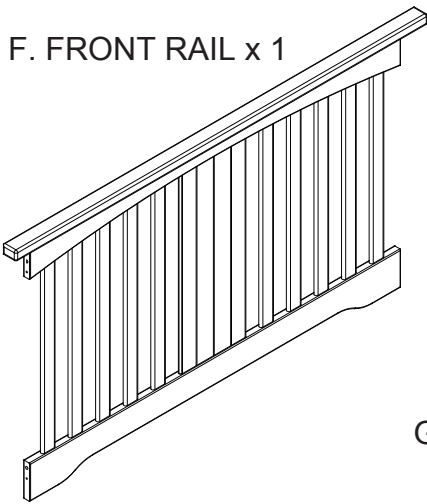
⚠ WARNINGS ON POUCH MUST FACE UP.



SECTION 1: CRIB ASSEMBLY

STEP 4

PARTS AND TOOLS REQUIRED TO COMPLETE STEP

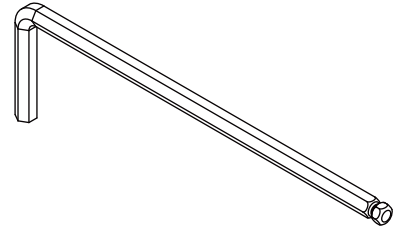


F. FRONT RAIL x 1



G. LEFT FRONT LEG x 1

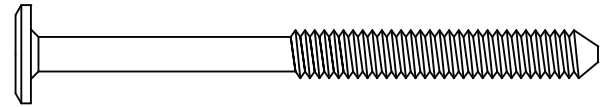
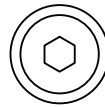
H. RIGHT FRONT LEG x 1



M4 ALLEN WRENCH SUPPLIED

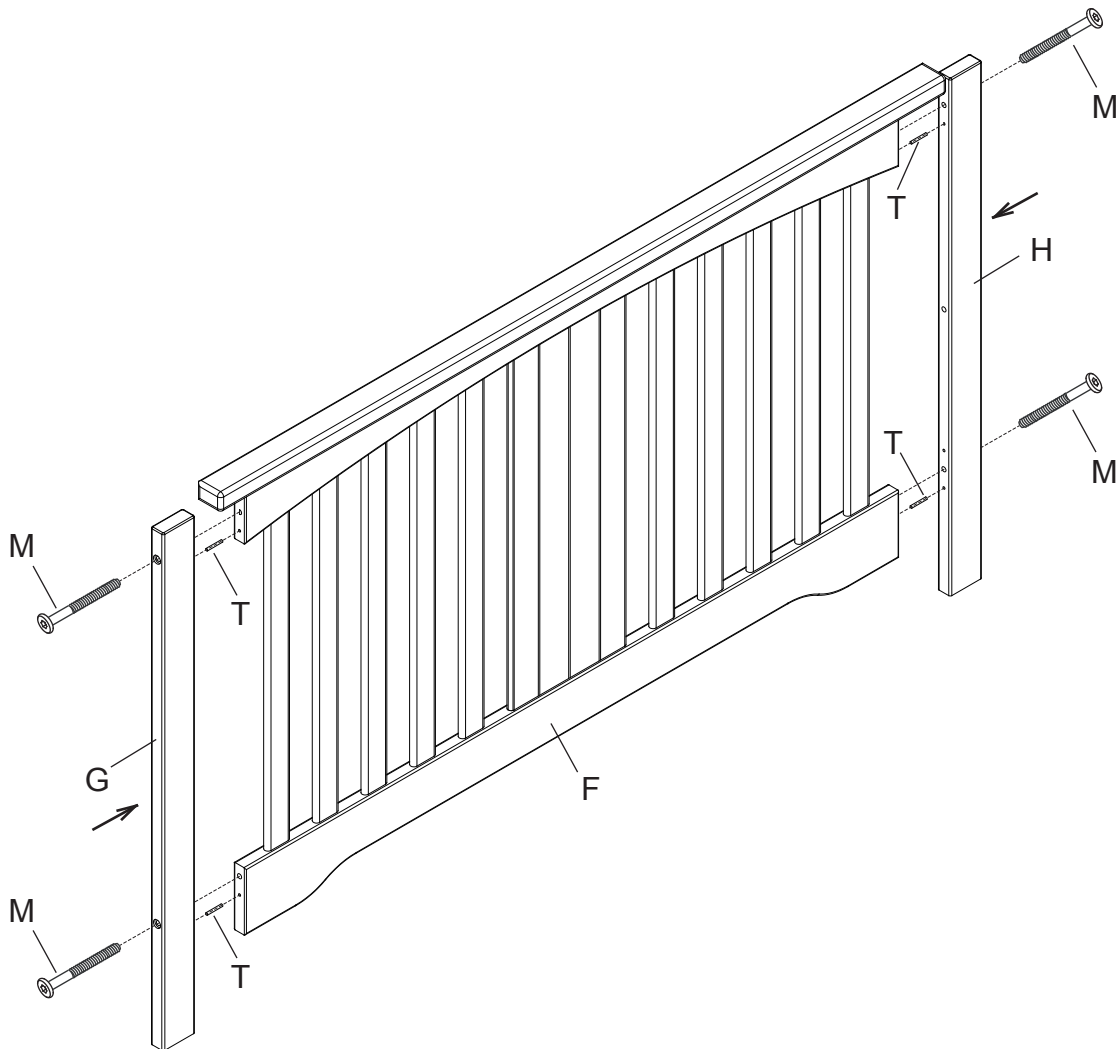


T. Φ 4x30 mm METAL PIN x 4



M. M6 x 75 mm BOLT x 4

ATTACH (1) LEFT FRONT LEG (PART G) AND (1) RIGHT FRONT LEG (PART H) TO (1) FRONT RAIL (PART F) USING (4) Φ 4x30mm METAL PINS (PART T) AND (4) M6x75mm BOLTS (PART M). TIGHTEN WITH THE M4 ALLEN WRENCH.



SECTION 1: CRIB ASSEMBLY

STEP 5

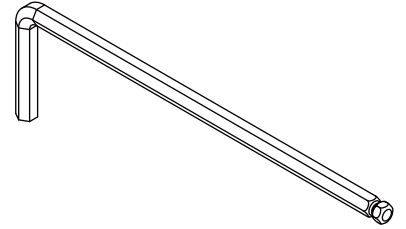
PARTS AND TOOLS REQUIRED TO COMPLETE STEP



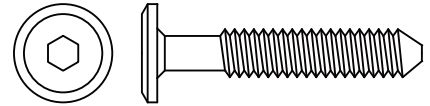
FROM STEP 3



FROM STEP 4

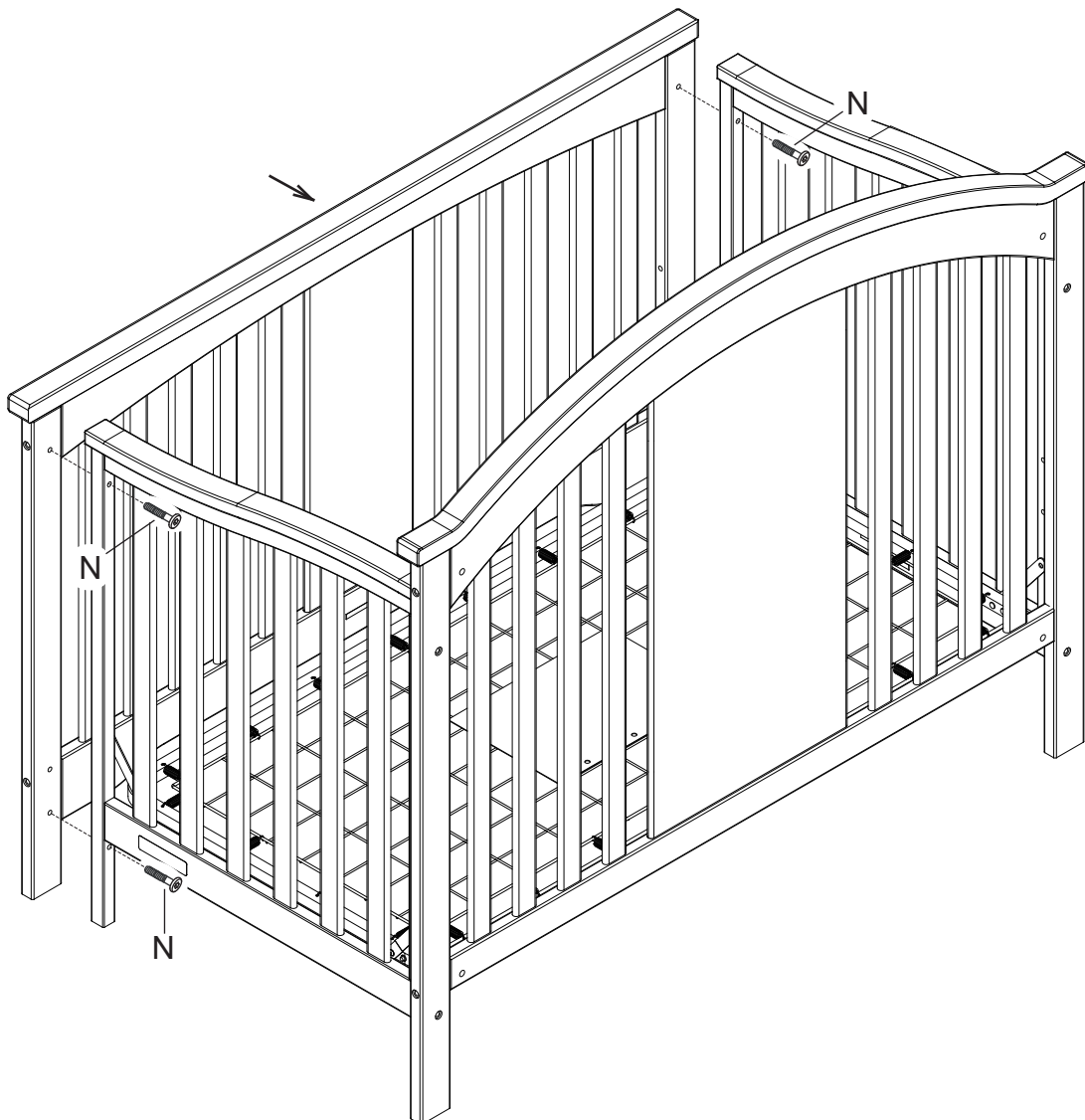


M4 ALLEN WRENCH SUPPLIED



N. M6 x 35 mm BOLT x 4

ATTACH THE ASSEMBLY FROM STEP 4 TO THE ASSEMBLY FROM STEP 3 USING (4) M6x35mm BOLTS (PART N). TIGHTEN WITH THE M4 ALLEN WRENCH.



SECTION 1: CRIB ASSEMBLY

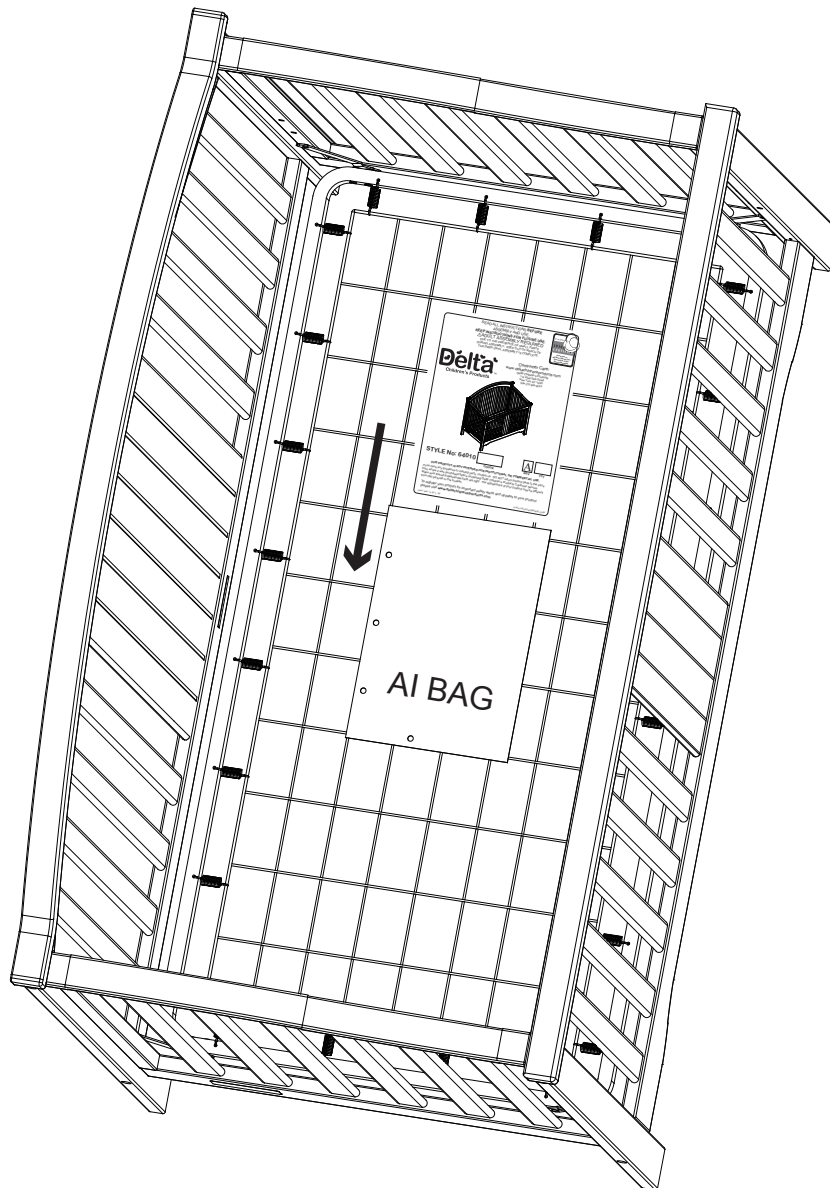
STEP 6

PARTS AND TOOLS REQUIRED TO COMPLETE STEP



ASSEMBLY INSTRUCTION
BOOKLET

STORE THE ASSEMBLY INSTRUCTION BOOKLET IN THE POUCH ATTACHED TO THE MATTRESS SUPPORT. STORE ALL PARTS AND TOOLS SEPARATELY, IN A SAFE PLACE.

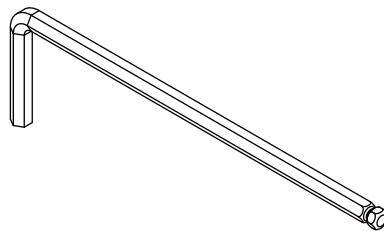


 **WARNING:** SEE PAGE 2 FOR INFORMATION

SECTION 2: TODDLER BED CONVERSION

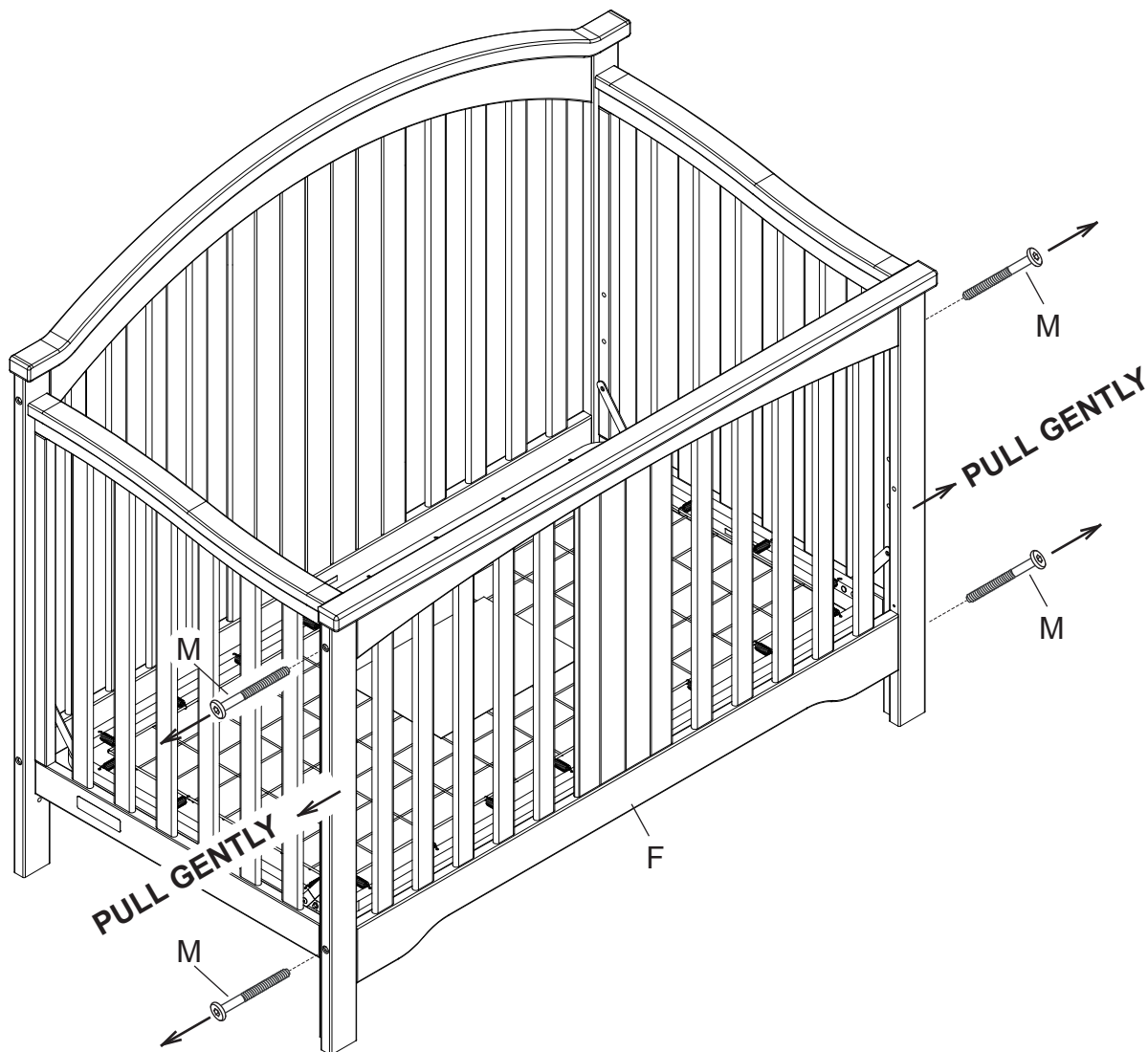
STEP 1

PARTS AND TOOLS REQUIRED TO COMPLETE STEP



M4 ALLEN WRENCH
SUPPLIED

REMOVE THE FRONT RAIL INSTALLED IN STEP 4 OF SECTION 1 CRIB ASSEMBLY.



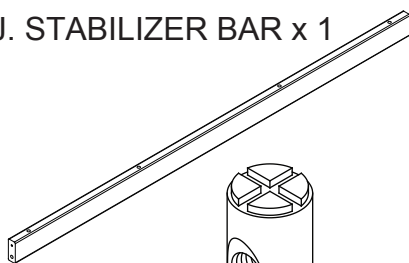
SECTION 2: TODDLER BED CONVERSION

STEP 2

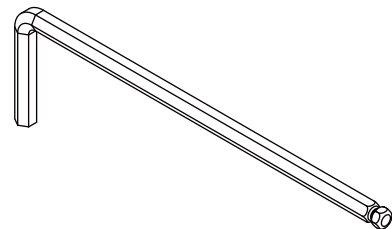
PARTS AND TOOLS REQUIRED TO COMPLETE STEP



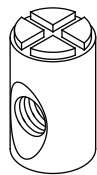
J. STABILIZER BAR x 1



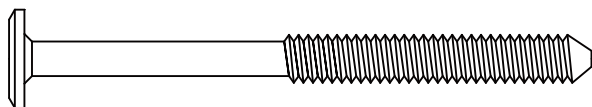
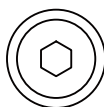
T. $\Phi 4 \times 30$ mm METAL PIN x 2



S. BARREL NUT x 2

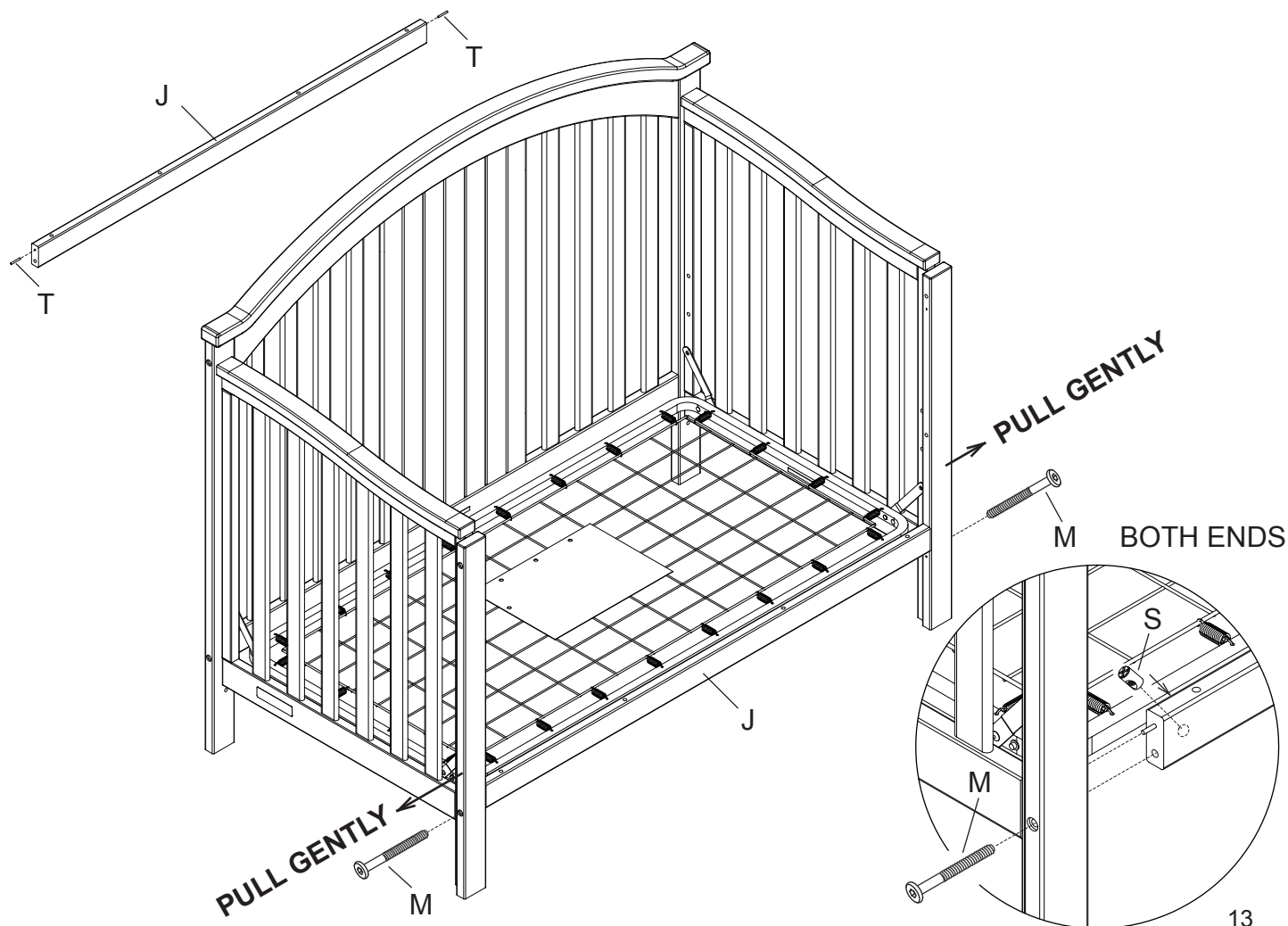


M4 ALLEN WRENCH SUPPLIED



M. M6 x 75 mm BOLT x 2

INSERT (1) $\Phi 4 \times 30$ mm METAL PINS (PART T) INTO THE HOLE ON EACH SIDE OF THE STABILIZER BAR (PART J), THEN ATTACH THE STABILIZER BAR (PART J) TO THE ASSEMBLY FROM STEP 1 USING (2) M6x75mm BOLTS (PART M) AND (2) BARREL NUT (PART S). **GENTLY PULL THE FRONT LEGS APART.** TIGHTEN WITH THE M4 ALLEN WRENCH. USE THE FLAT HEAD SCREWDRIVER TO HOLD THE BARREL NUT IN THE PROPER ALIGNMENT.



SECTION 2: TODDLER BED CONVERSION

STEP 3

⚠ WARNING: SEE PAGE 3 FOR TODDLER BED WARNINGS

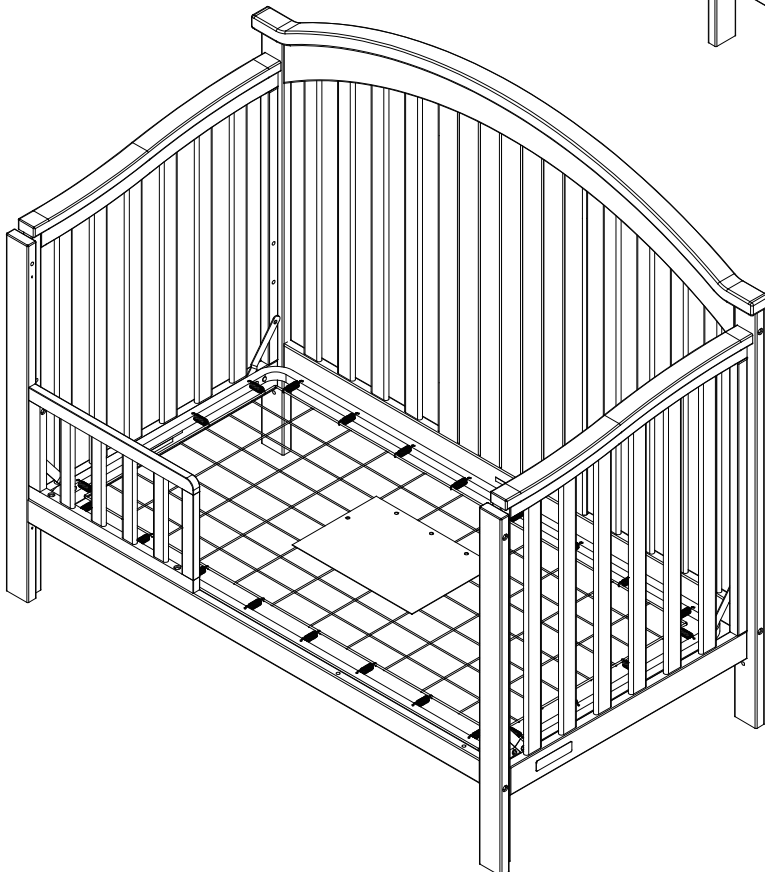
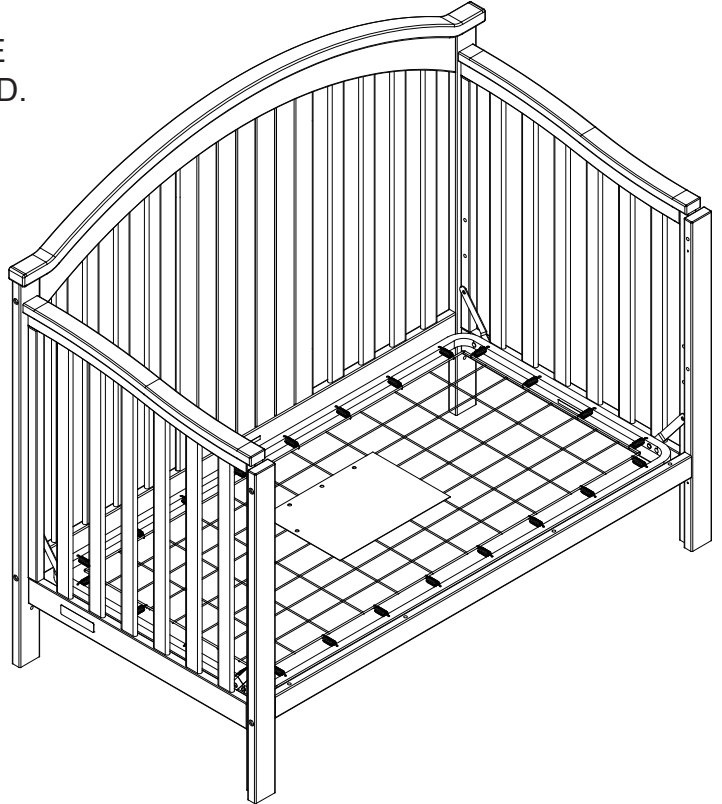
THE MATTRESS SUPPORT MUST BE IN THE LOWEST POSITION.

STORE ALL HARDWARE SAFELY.

READ ALL WARNINGS ON PAGE 3

AS SHOWN, USE AS A DAY BED. DO NOT USE
WITHOUT FRONT STABILIZER BAR INSTALLED.

⚠ FRONT STABILIZER BAR MUST BE USED
WHEN CONVERTED TO A TODDLER BED.

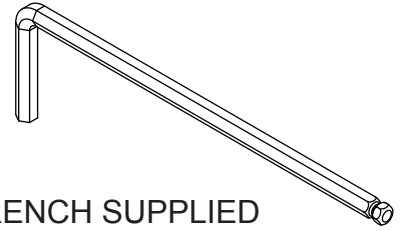


A TODDLER BED GUARDRAIL IS
AVAILABLE FOR THIS CRIB.
PLEASE SEE YOUR CRIB RETAILER, VISIT
WWW.DELTACHILDRENSPRODUCTS.COM
OR CONTACT DELTA CONSUMER CARE
FOR MORE INFORMATION.
THIS CRIB USES DELTA STYLE # 0080
GUARDRAIL.

SECTION 3: FULL SIZE BED CONVERSION

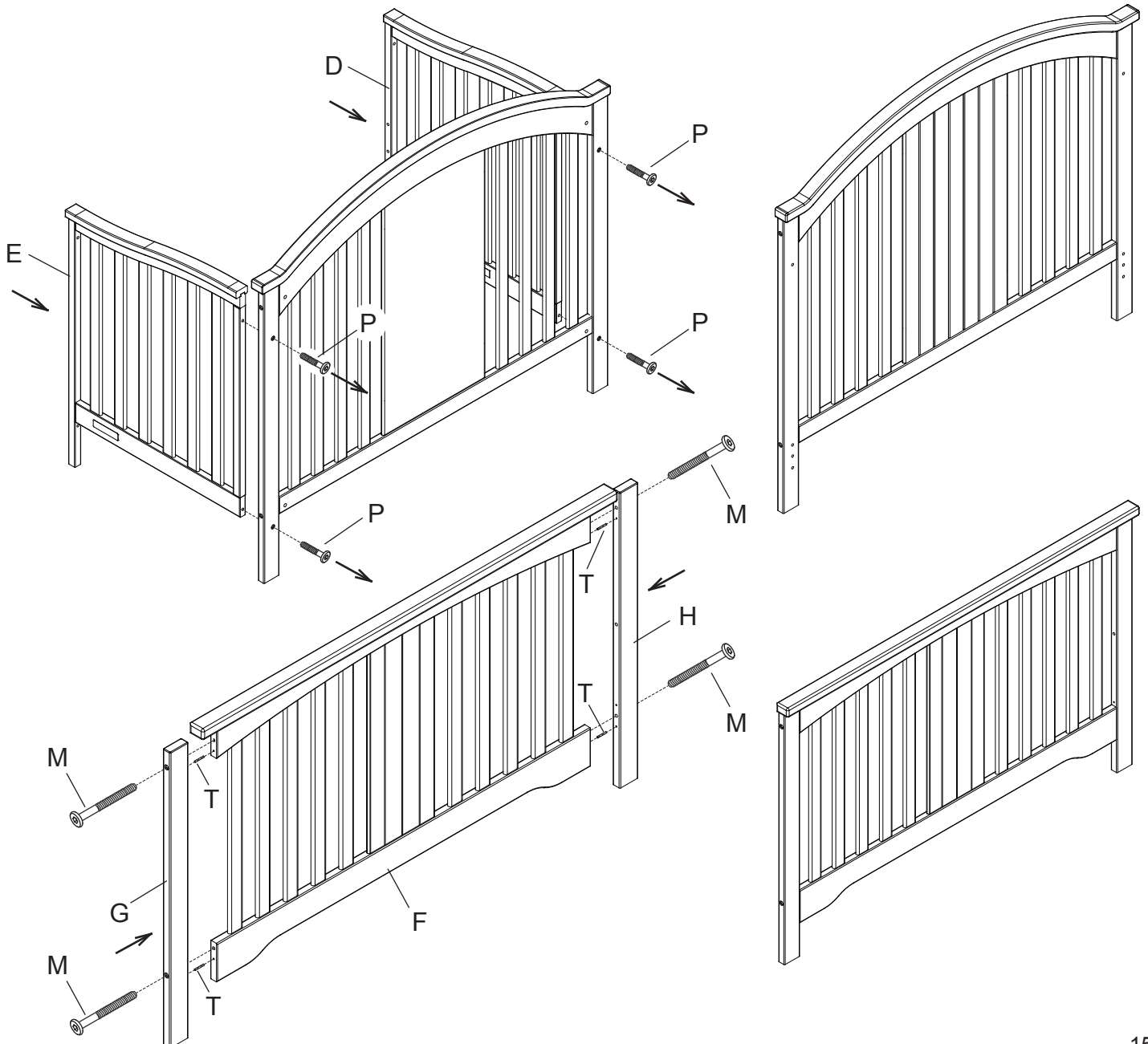
STEP 1

PARTS AND TOOLS REQUIRED TO COMPLETE STEP



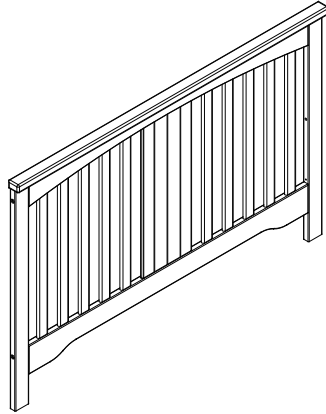
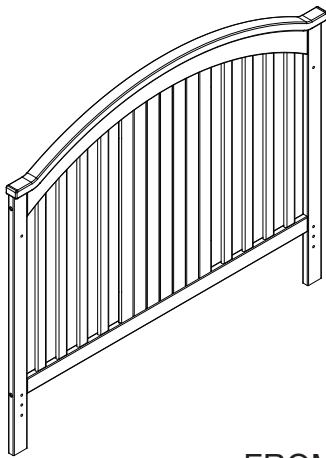
M4 ALLEN WRENCH SUPPLIED

YOU HAVE THE OPTION TO CONVERT THE CRIB TO A FULL SIZE BED. SIMPLY FOLLOW STEPS IN REVERSE ORDER TO DISASSEMBLE THE CRIB. THE HEAD BOARD IS THE BACK RAIL ASSEMBLY DONE THROUGH STEP 1 OF SECTION 1. TO CREATE THE FOOTBOARD, ASSEMBLE THE LEFT FRONT LEG (PART G), RIGHT FRONT LEG (PART H) AND FRONT RAIL (PART F) USING (4) $\Phi 4 \times 30$ mm METAL PINS (PART T) AND (4) M6x73mm BOLTS (PART M) AS SHOWN. STORE ALL PARTS AND HARDWARE IN A SAFE PLACE.

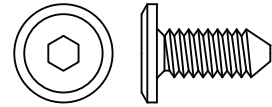


SECTION 3: FULL SIZE BED CONVERSION STEP 2

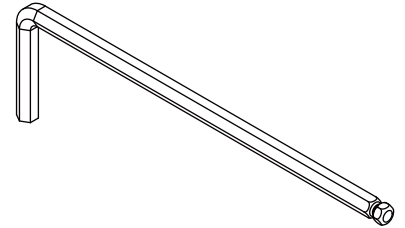
PARTS AND TOOLS REQUIRED TO COMPLETE STEP



FROM SECTION 3 STEP 1

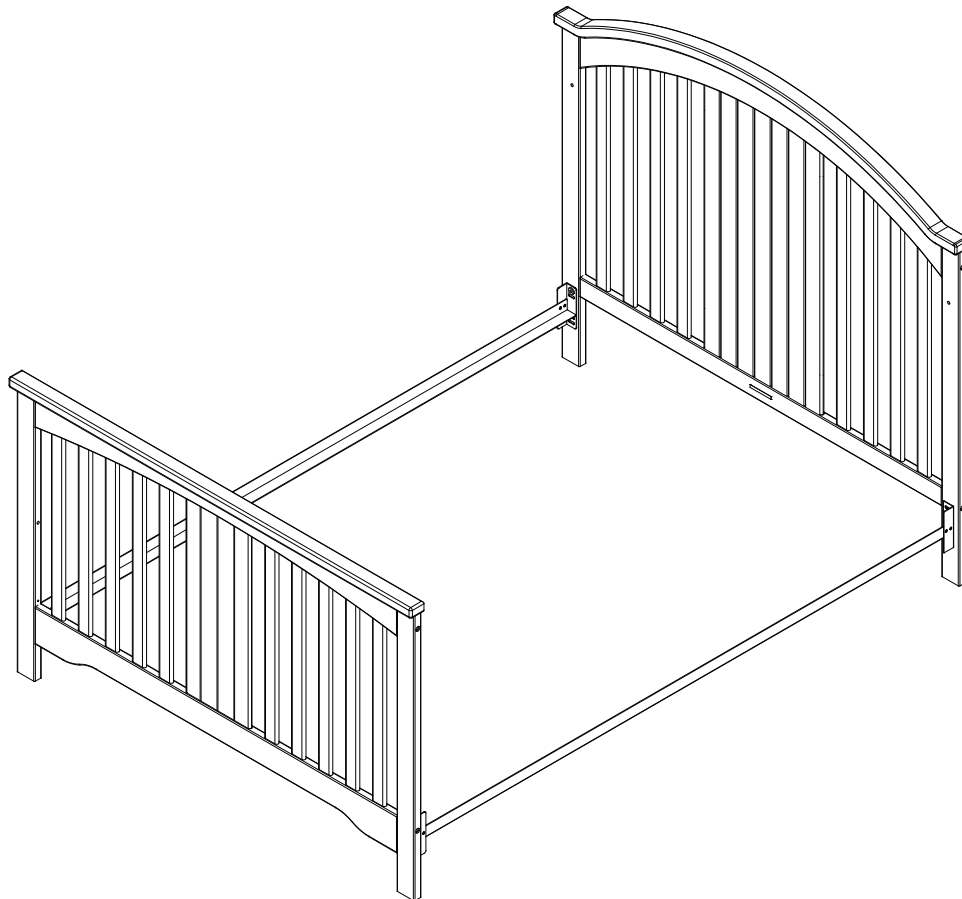


R. M6x15 mm BOLT x 8



M4 ALLEN WRENCH
SUPPLIED

ATTACH BED FRAME TO THE HEADBOARD (FROM SECTION 3 STEP 1) AND FOOTBOARD (FROM SECTION 3 STEP 1) USING (8) M6x15mm BOLTS (PART R). FOLLOW ALL INSTRUCTIONS SUPPLIED WITH THE BEDFRAME. **NOTE:** BED FRAME SYSTEM IS NOT INCLUDED, SEE YOUR FURNITURE OR MATTRESS RETAILER. CONTACT DELTA CHILDREN'S PRODUCTS FOR INFORMATION OR WITH QUESTIONS.



NOTE: SHOWN AS A FULL SIZE HEADBOARD AND FOOTBOARD, NOT ALL BED FRAME SYSTEMS ALLOW USE OF A FOOTBOARD.



Children's Products

Consumer Care:

www.DeltaChildren.com

Delta Children's Products

114 West 26th Street

New York, NY 10001

Tele.212-645-9033

Warranty: This Delta Crib is warranted to be free from defects for a period of 1 year from the date of purchase under normal use. This warranty extends only to the original retail purchaser and is valid only when supplied with proof of purchase, or if received as a gift, when the registration is on file with Delta.

To register your product for important safety alerts and updates to your product please visit www.DeltaChildren.com

Please do not return this item to the store before contacting us about missing parts or with any questions.

To report a problem, please log on to www.DeltaChildren.com and click the Consumer Care Tab, or contact us by phone at (212) 645-9033.

In the event that you need to contact our customer service department please have the Style Number and Lot Number available. Use the space below to make note of those numbers. They can be found on the label on the Crib End bottom rail.

STYLE No: 64010

COLOR

REV

FTY

Lot No. : _____

Pack Date: _____

Date of Purchase: _____ (you should also keep your receipt)