

Delta™

Children's Products

Customer Service:

Web Site: www.deltachildrenproducts.com

Delta Children's Products

114 West 26th Street

New York, NY 10001

Tele.212-645-9033



THIS PRODUCT IS NOT INTENDED FOR INSTITUTIONAL OR COMMERCIAL USE.

If you have any questions or missing parts, contact us. **DO NOT** return product parts to the store from where it was purchased before contacting Delta Children's Products Customer Service

Before assembly read these instructions and all warnings included. Make sure that all pre-assembled parts are tight. Store this instruction booklet for future reference. The appearance of your crib may be different from that pictured in this booklet. **ADULT ASSEMBLY REQUIRED** due to presence of small parts during assembly.

To register your product for important safety alerts and updates to your product please visit <http://deltaenterprise.com/register.asp>

⚠CAUTION: ANY MATTRESS USED IN THIS CRIB MUST BE AT LEAST 27 1/4 INCHES BY 51 5/8 INCHES WITH A THICKNESS NOT EXCEEDING 6 INCHES.

⚠WARNING: CRIB

INFANTS CAN SUFFOCATE ON SOFT BEDDING. NEVER ADD A PILLOW, COMFORTER OR PADDING.

FAILURE TO FOLLOW THESE WARNINGS AND THE ASSEMBLY INSTRUCTIONS COULD RESULT IN SERIOUS INJURY OR DEATH.

TO REDUCE THE RISK OF SIDS, PEDIATRICIANS RECOMMEND HEALTHY INFANTS BE PLACED ON THEIR BACKS TO SLEEP, UNLESS OTHERWISE ADVISED BY YOUR PHYSICIAN.

ADULT ASSEMBLY REQUIRED DUE TO SMALL PARTS.

*READ ALL INSTRUCTIONS BEFORE ASSEMBLING CRIB. **KEEP INSTRUCTIONS FOR FUTURE USE.**

***STRANGULATION HAZARD:** STRINGS CAN CAUSE STRANGULATION! **DO NOT** PLACE ITEMS WITH A STRING AROUND A CHILD'S NECK, SUCH AS HOOD STRINGS OR PACIFIER CORDS. **DO NOT** SUSPEND STRINGS OVER A CRIB OR ATTACH STRINGS TO TOYS.

***STRANGULATION HAZARD:** TO HELP PREVENT STRANGULATION TIGHTEN ALL FASTENERS. A CHILD CAN TRAP PARTS OF THE BODY OR CLOTHING ON LOOSE FASTENERS.

***STRANGULATION HAZARD: DO NOT** PLACE CRIB NEAR WINDOW WHERE CORDS FROM BLINDS OR DRAPES MAY STRANGLE A CHILD.

***FALL HAZARD:** WHEN CHILD IS ABLE TO PULL TO A STANDING POSITION, SET MATTRESS TO LOWEST POSITION AND REMOVE BUMPER PADS, LARGE TOYS AND OTHER OBJECTS THAT COULD SERVE AS STEPS FOR CLIMBING OUT. THIS CRIB HAS AN ADJUSTABLE MATTRESS SUPPORT. FOR THE CONVENIENCE OF THE PARENT WHEN THE BABY IS VERY SMALL, THE MATTRESS SUPPORT MAY BE USED IN THE HIGHEST POSITION. IMPORTANT: WITH THE MATTRESS SUPPORT AND MATTRESS IN THE HIGHEST POSITION, BE ABSOLUTELY SURE THAT THE TOP OF THE FRONT CRIB SIDE IS AT LEAST 3 INCHES HIGHER THEN THE TOP SURFACE OF THE MATTRESS. IF IT IS NOT, LOWER THE MATTRESS SUPPORT AND THE MATTRESS TO THE NEXT HIGHEST POSITION.

***FALL HAZARD:** WHEN CHILD IS ABLE TO CLIMB OUT OR REACHES THE HEIGHT OF 35 IN. (90 CM), THE CRIB SHALL NO LONGER BE USED, THE CHILD SHOULD BE PLACED IN A YOUTH OR REGULAR BED.

*CHECK THIS PRODUCT FOR DAMAGED HARDWARE, LOOSE JOINTS, MISSING PARTS OR SHARP EDGES BEFORE AND AFTER ASSEMBLY AND FREQUENTLY DURING USE. **DO NOT USE CRIB** IF ANY PARTS ARE MISSING, DAMAGED OR BROKEN. CONTACT DELTA CHILDREN'S PRODUCTS FOR REPLACEMENT PARTS AND INSTRUCTIONAL LITERATURE IF NEEDED. DO NOT SUBSTITUTE PARTS.

***DO NOT** USE A WATER MATTRESS WITH THIS CRIB.

*IF REFINISHING, USE A NON-TOXIC FINISH SPECIFIED FOR CHILDREN'S PRODUCTS.

***NEVER** USE PLASTIC SHIPPING BAGS OR OTHER PLASTIC FILM AS MATTRESS COVERS BECAUSE THEY CAN CAUSE SUFFOCATION.

*INFANTS CAN SUFFOCATE IN GAPS BETWEEN CRIB SIDES AND A MATTRESS THAT IS TOO SMALL.

*ENSURE A SAFE ENVIRONMENT FOR THE CHILD BY CHECKING REGULARLY, BEFORE PLACING THE CHILD IN THE CRIB, THAT EVERY COMPONENT IS PROPERLY AND SECURELY IN PLACE.

*TO AVOID HEAD INJURY, DO NOT ALLOW ANY CHILD TO PLAY UNDERNEATH THE CRIB.

TODDLER BED

WARNING ENTRAPMENT/STRANGULATION HAZARD

- INFANTS HAVE DIED IN **TODDLER BEDS** FROM ENTRAPMENT AND STRANGULATION. FAILURE TO FOLLOW THESE WARNINGS AND THE ASSEMBLY INSTRUCTIONS COULD RESULT IN SERIOUS INJURY OR DEATH.
- **NEVER** USE BED WITH CHILDREN UNDER 15 MONTHS.
- **NEVER** PLACE BED NEAR WINDOWS WHERE CORDS FROM BLINDS OR DRAPES MAY STRANGLE A CHILD.
- **DO NOT** PLACE ITEMS WITH A STRING, CORD, OR RIBBON AROUND A CHILD'S NECK, SUCH AS HOOD STRINGS OR PACIFIER CORDS.
- **DO NOT** SUSPEND STRINGS OVER A TODDLER BED FOR ANY REASON.
- THE USERS MAXIMUM WEIGHT SHALL NOT BE GREATER THAN 50 LB (22.7kg).
- THE MATTRESS INTENDED FOR USE ON THE BED SHALL BE A FULL-SIZE CRIB MATTRESS HAVING MINIMUM DIMENSIONS OF 51 5/8 IN. (1310 MM) IN LENGTH, 27 1/4 IN. (690 MM) IN WIDTH AND 4 IN. (100 MM) IN THICKNESS.
- STABILIZER BAR MUST BE USED WHEN CONVERTED TO A TODDLER BED.

NOTES ON ASSEMBLY:

- DURING THE ASSEMBLY PROCESS WHENEVER USING SCREWS OR BOLTS, CHECK EACH BY PLACING THE SCREW/BOLT ON THE DIAGRAM OF THE ITEM WHICH IS DRAWN ACTUAL SIZE AND DESIGN. BE SURE TO USE THE PROPER SIZE AND SHAPE SPECIFIED IN THE INSTRUCTIONS.
- TO ASSEMBLE THIS UNIT YOU MAY BE REQUIRED TO PLACE THE UNIT ON IT'S SIDE AND FACE. IT IS STRONGLY RECOMMENDED THAT ASSEMBLY IS DONE ON A SOFT, NON-ABRASIVE SURFACE TO AVOID DAMAGING THE FINISH.

NOTES ON USE:

KEEP CHILDREN AND OTHERS SAFE BY FOLLOWING THESE SIMPLE RULES:

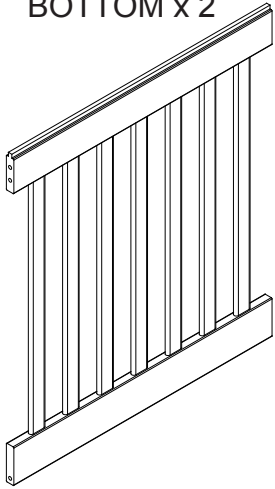
- **DO NOT** ALLOW ANY CHILD TO PLAY ON FURNITURE
- **DO NOT** ALLOW CLIMBING ON ANY PIECE OF FURNITURE.
- **DO NOT** ALLOW HANGING FROM ANY PIECE OF FURNITURE.
- ALWAYS MONITOR YOUR CHILD'S ACTIVITY WHEN IN THE NURSERY.

NOTES ON CARE AND MAINTENANCE:

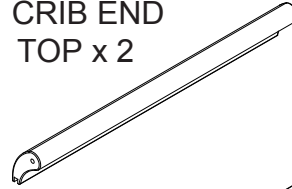
- **DO NOT** SCRATCH OR CHIP THE FINISH.
- INSPECT THE CRIB PERIODICALLY, CONTACT DELTA CHILDREN'S PRODUCTS FOR REPLACEMENT PARTS OR QUESTIONS.
- **DO NOT** STORE THE CRIB OR ANY PARTS IN EXTREME TEMPERATURES AND CONDITIONS SUCH AS A HOT ATTIC OR A DAMP, COLD BASEMENT. THESE EXTREMES CAN CAUSE A LOSS OF STRUCTURAL INTEGRITY.
- AN OCCASIONAL WAXING, PLUS REGULAR CLEANING WITH MILD SOAP ON A SOFT CLOTH, FOLLOWED BY A CLEAN DAMP CLOTH, THEN A DRY CLOTH, WILL PRESERVE THE ORIGINAL LUSTER AND BEAUTY OF THIS FINE FINISH.
- **DO NOT** USE ABRASIVE CHEMICALS.
- **DO NOT** SPRAY CLEANERS DIRECTLY ONTO FURNITURE, SPRAY ONTO CLEANING CLOTH AND THEN APPLY TO FURNITURE. TEST IN AN INCONSPICUOUS AREA BEFORE APPLYING TO ENTIRE UNIT.
- LIFT SLIGHTLY WHEN MOVING ON CARPETING TO PREVENT LEG BREAKAGE.
- USE OF A VAPORIZER NEAR FURNITURE WILL CAUSE WOOD TO SWELL AND FINISH TO PEEL.

PARTS

A. CRIB END
BOTTOM x 2



B. CRIB END
TOP x 2



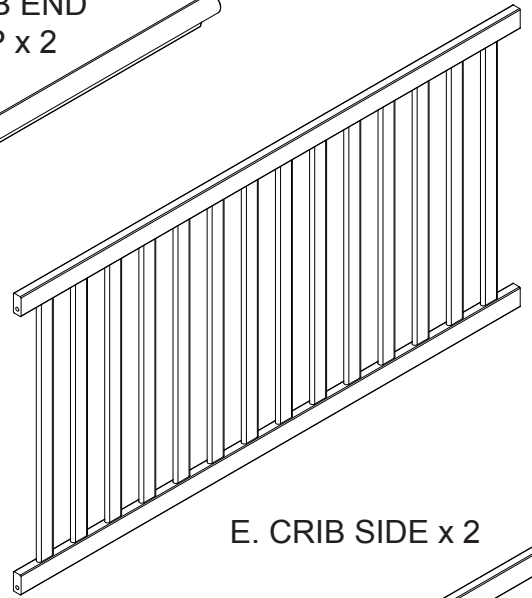
C. LEFT LEG x 2



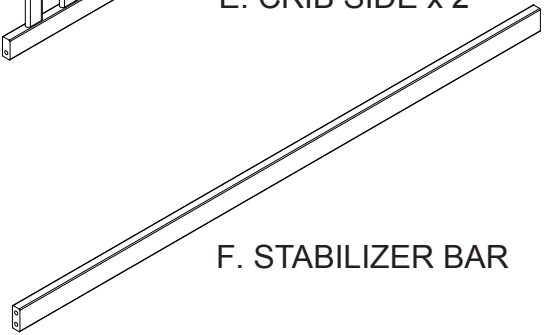
D. RIGHT LEG x 2



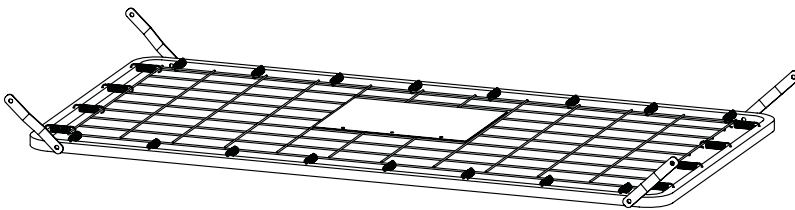
E. CRIB SIDE x 2



F. STABILIZER BAR

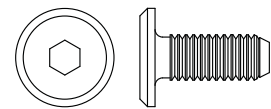


POUCH ATTACHED TO MATTRESS SUPPORT
- KEEP INSTRUCTIONS AND ANY EXTRA
HARDWARE AND TOOLS IN THIS POUCH
AFTER ASSEMBLY
WARNINGS RELATED TO THE SAFE USE OF
THIS CRIB ARE PRINTED ON THE POUCH



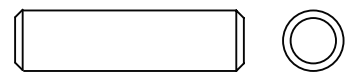
G. MATTRESS SUPPORT

L. M6x15 mm BOLT x 4

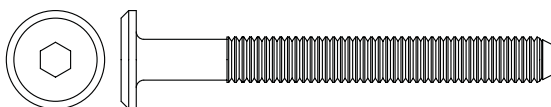


H. M6x65 mm BOLT x 8

M. NUT x 12



N. DOWEL x 6



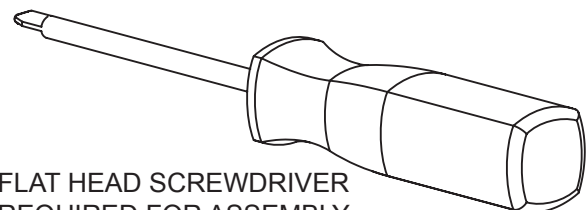
J. M6x55 mm BOLT x 4



M4 ALLEN WRENCH SUPPLIED



K. M6x38 mm BOLT x 8

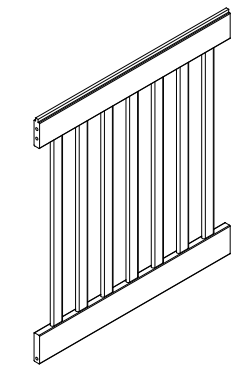


FLAT HEAD SCREWDRIVER
REQUIRED FOR ASSEMBLY
- NOT INCLUDED

SECTION 1: CRIB ASSEMBLY

STEP 1

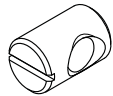
PARTS AND TOOLS REQUIRED TO COMPLETE STEP



A. CRIB END BOTTOM x 2



C. LEFT LEG x 2



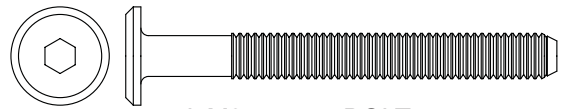
M. NUT x 4



D. RIGHT LEG x 2



N. DOWEL x 4



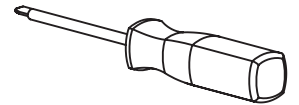
J. M6x55 mm BOLT x 4



K. M6x38 mm BOLT x 4



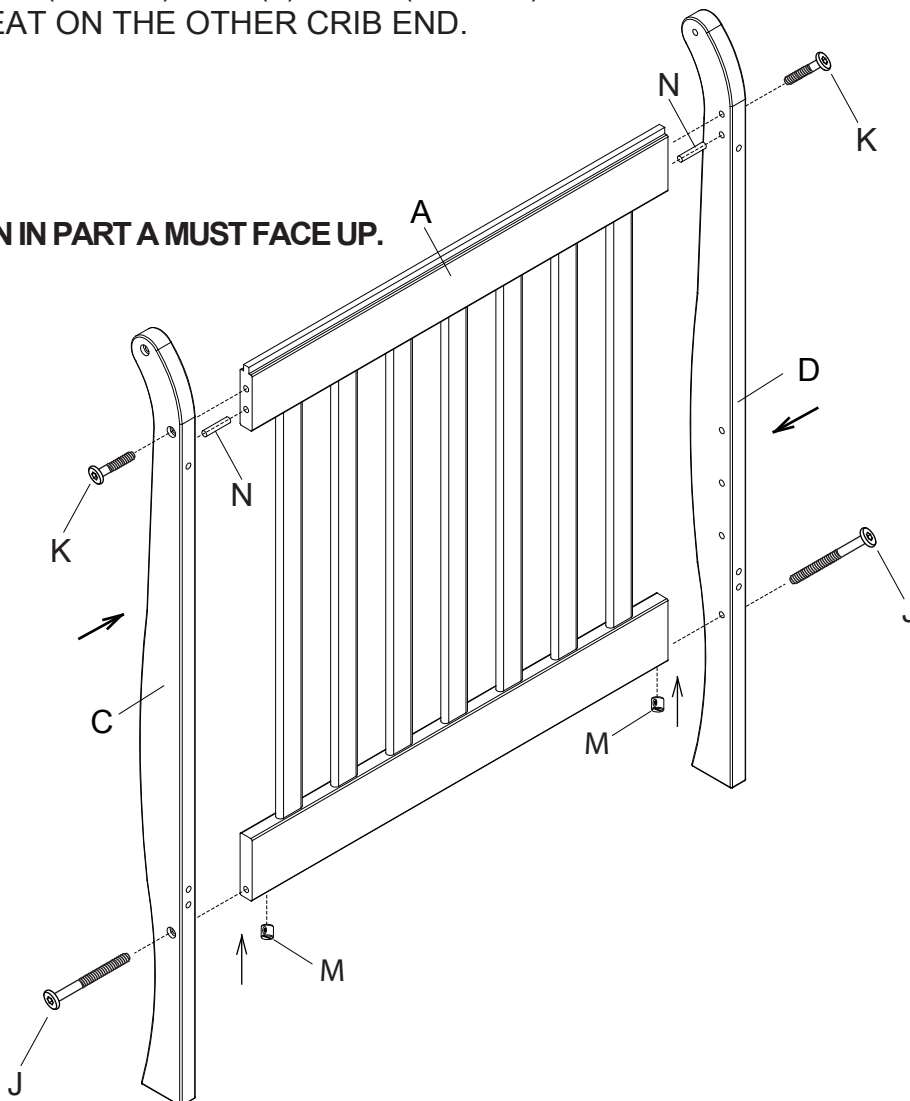
M4 ALLEN WRENCH SUPPLIED



FLAT HEAD SCREWDRIVER REQUIRED FOR ASSEMBLY - NOT INCLUDED

ATTACH (1) CRIB END BOTTOM (PART A) TO (1) LEFT LEG (PART C) AND (1) RIGHT LEG (PART D) WITH (2) DOWELS (PART N), (2) M6x38mm BOLTS (PART K) AND (2) M6x55mm BOLTS (PART J) AND (2) NUTS (PART M) USING THE M4 ALLEN WRENCH AS SHOWN. REPEAT ON THE OTHER CRIB END.

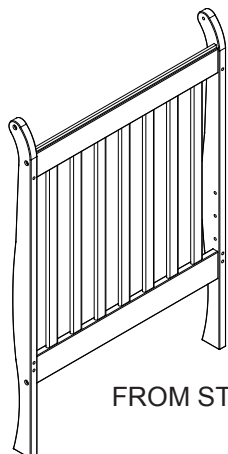
NOTE : THE TENON IN PART A MUST FACE UP.



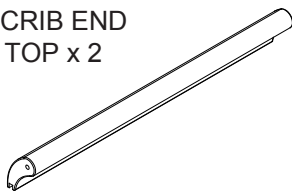
SECTION 1: CRIB ASSEMBLY

STEP 2

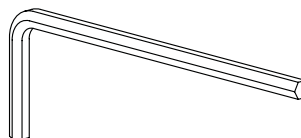
PARTS AND TOOLS REQUIRED TO COMPLETE STEP



B. CRIB END TOP x 2

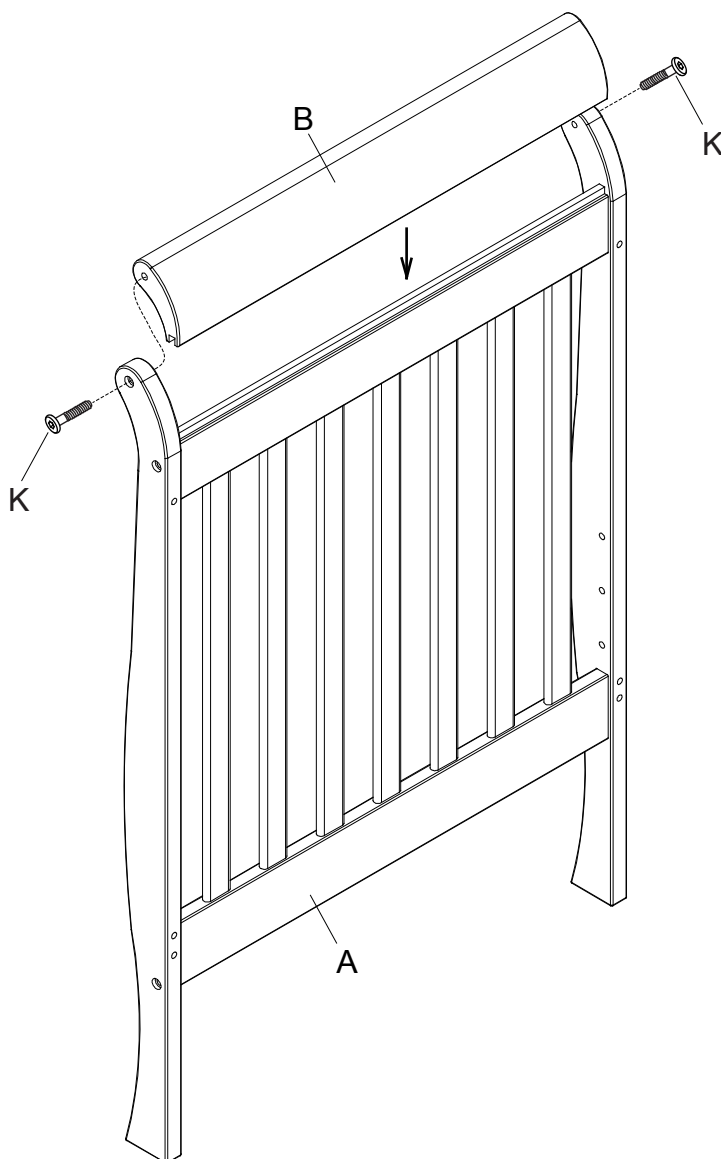


K. M6x38 mm BOLT x 4



M4 ALLEN WRENCH SUPPLIED

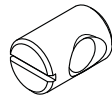
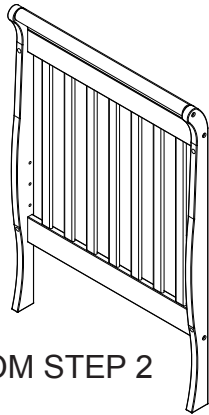
INSERT THE SLOT OF THE CRIB END TOP (PART B) INTO THE TENNON ON TOP OF THE CRIB END BOTTOM (PART A), THEN INSERT THE M6x38mm BOLTS (PART K), THROUGH THE LEGS INTO THE THREADED INSETS ONTO THE CRIB END TOP (PART B) AS SHOWN. REPEAT ON THE OTHER CRIB END.



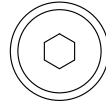
SECTION 1: CRIB ASSEMBLY

STEP 3

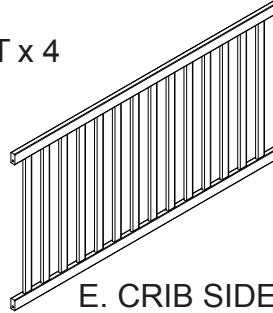
PARTS AND TOOLS REQUIRED TO COMPLETE STEP



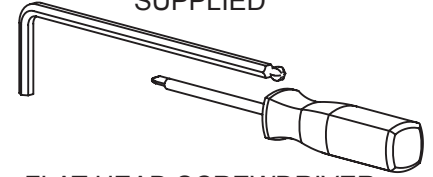
M. NUT x 4



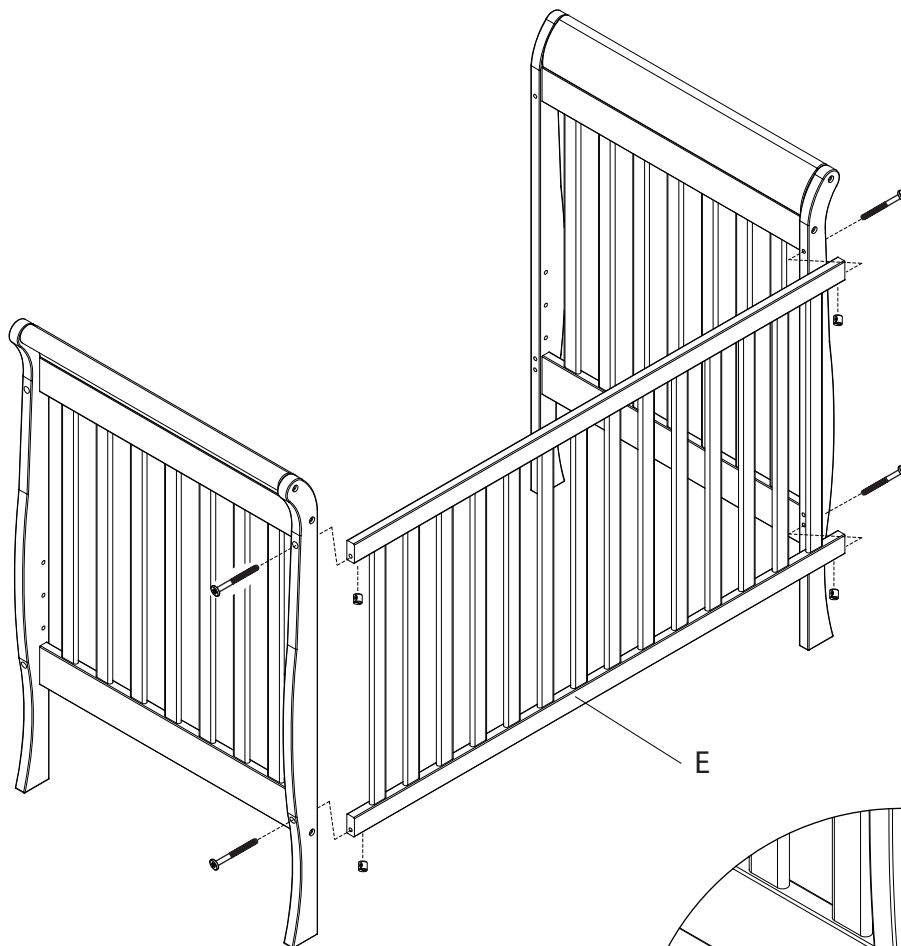
H. M6x65 mm BOLT x 4



M4 ALLEN WRENCH
SUPPLIED

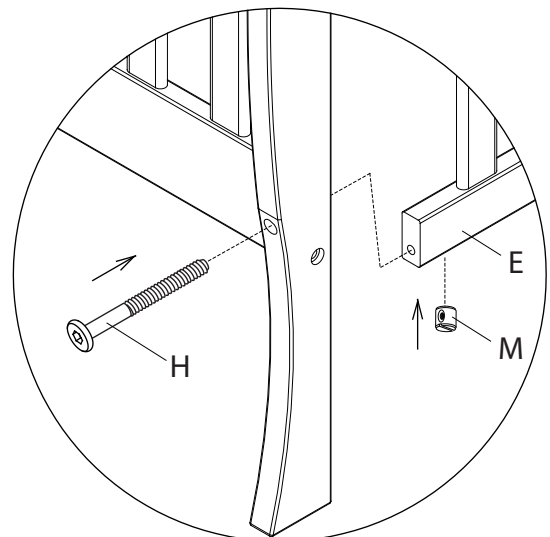


FLAT HEAD SCREWDRIVER
REQUIRED FOR ASSEMBLY
- NOT INCLUDED



ALL CORNERS

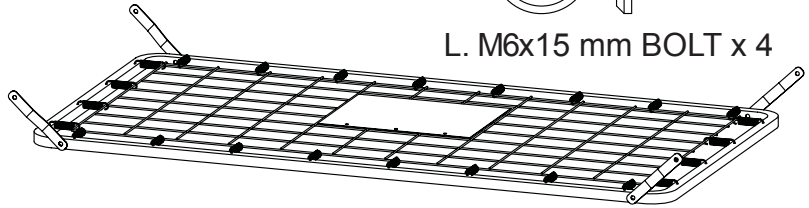
ATTACH (1) CRIB SIDE (PART E) TO THE ASSEMBLIES FROM STEP 2 USING (4) M6x65 mm BOLTS (PART H) AND (4) BARREL NUTS (PART M). INSTALL ONLY (1) CRIB SIDE AT THIS TIME, THE OTHER WILL BE INSTALLED IN STEP 5. TIGHTEN WITH THE ALLEN WRENCH. USE THE SCREWDRIVER TO HOLD THE BARREL NUT IN THE PROPER ALIGNMENT.



SECTION 1: CRIB ASSEMBLY

STEP 4

PARTS AND TOOLS REQUIRED TO COMPLETE STEP



L. M6x15 mm BOLT x 4

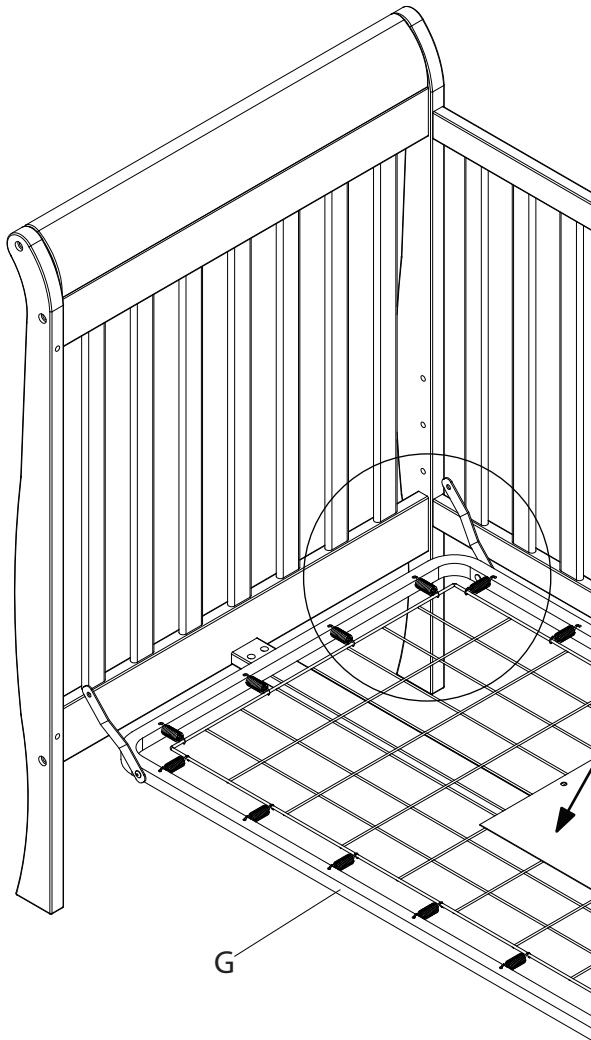


ATTACH THE MATTRESS SUPPORT (PART G) IN ALL CORNERS USING (1) MATTRESS SUPPORT BOLT (PART L) IN EACH CORNER.

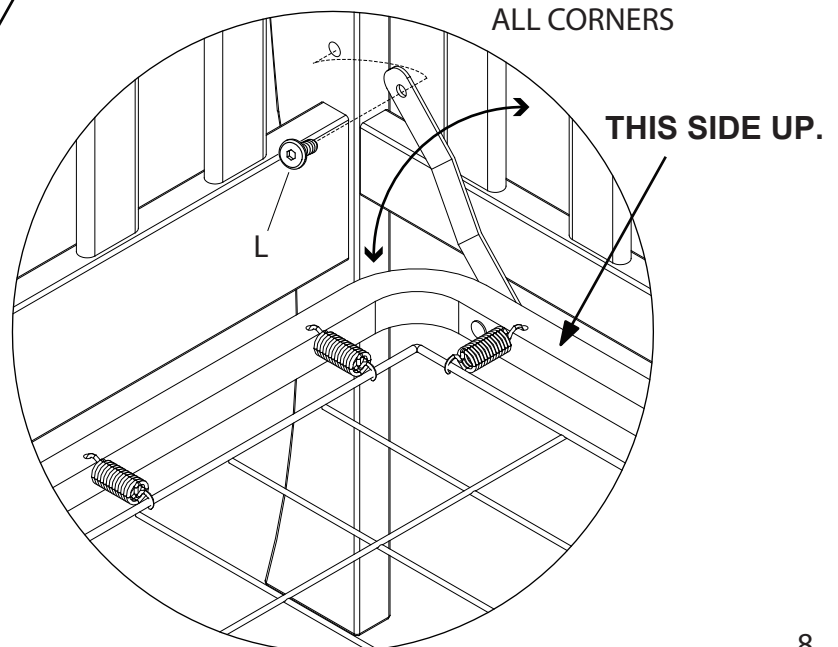
TIGHTEN WITH THE ALLEN WRENCH. THIS CRIB HAS (3) ADJUSTMENT POSITIONS, USE THE HIGHEST ONLY FOR NEW BORN, MOVE THE MATTRESS DOWN AS THE CHILD GROWS.

WARNING:

FALL HAZARD: WHEN CHILD IS ABLE TO PULL TO A STANDING POSITION, SET MATTRESS TO LOWEST POSITION AND REMOVE BUMPER PADS, LARGE TOYS AND OTHER OBJECTS THAT COULD SERVE AS STEPS FOR CLIMBING OUT.



 **WARNINGS ON POUCH MUST FACE UP.**



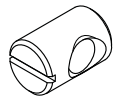
SECTION 1: CRIB ASSEMBLY

STEP 5

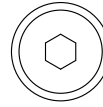
PARTS AND TOOLS REQUIRED TO COMPLETE STEP



FROM STEP 4

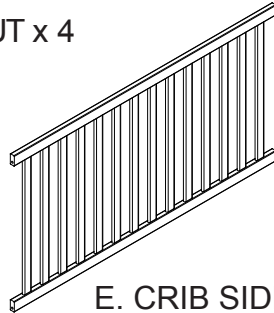


M. NUT x 4

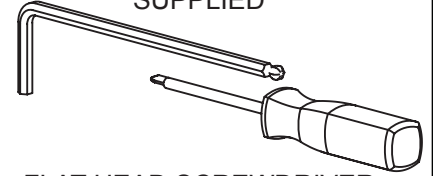


H. M6 x 65 mm BOLT x 4

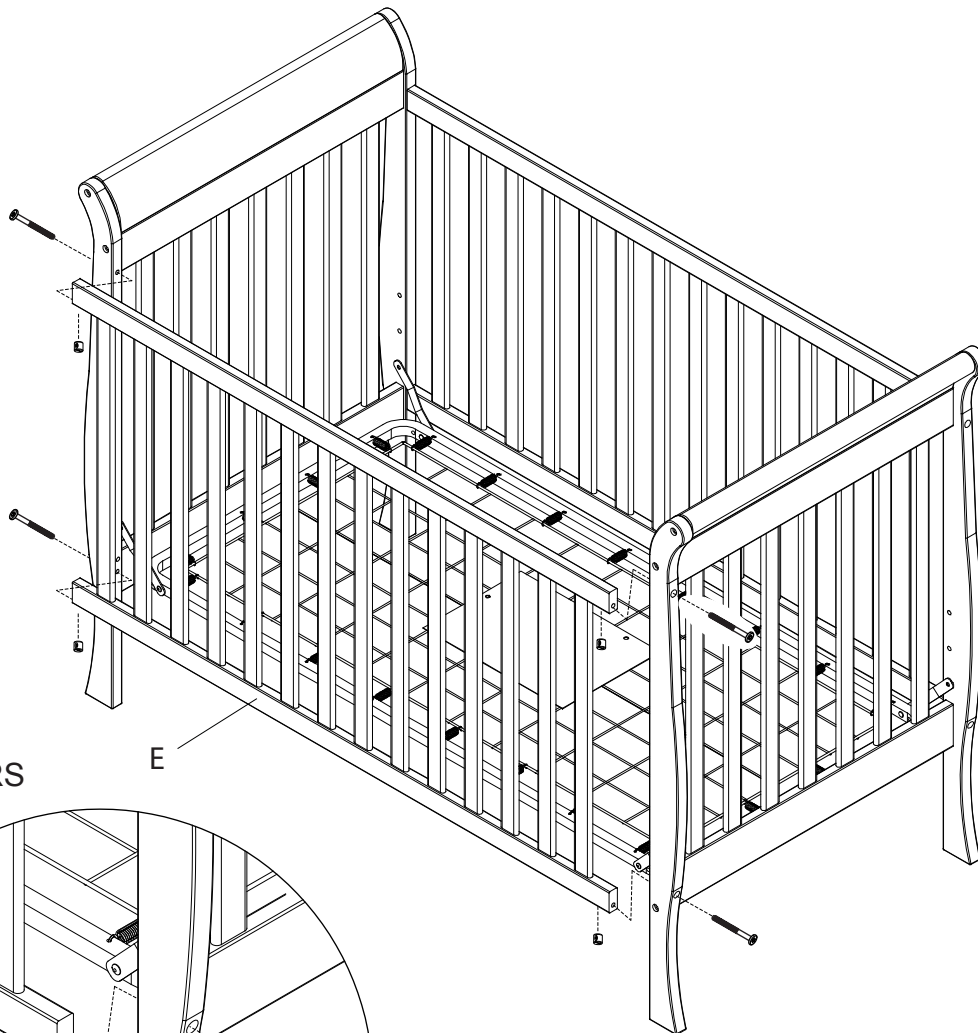
M4 ALLEN WRENCH
SUPPLIED



E. CRIB SIDE x 1

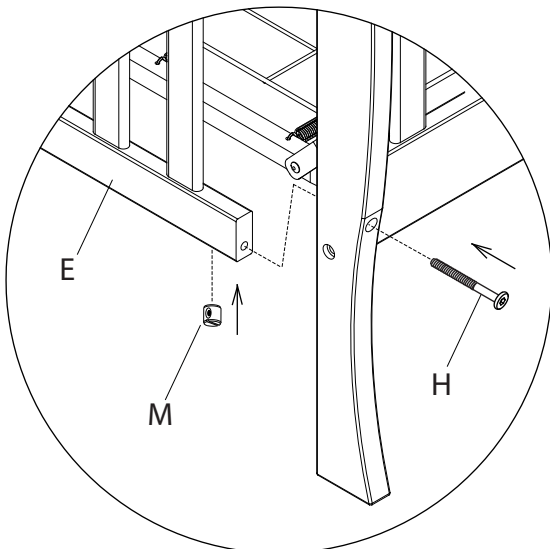


FLAT HEAD SCREWDRIVER
REQUIRED FOR ASSEMBLY
- NOT INCLUDED



ALL CORNERS

E



E

M

H

ATTACH (1) CRIB SIDE (PART E) TO THE ASSEMBLIES FROM STEP 4 USING (4) M6x65 MM BOLTS (PART H) AND (4) BARREL NUTS (PART M).

TIGHTEN WITH THE ALLEN WRENCH. USE THE SCREWDRIVER TO HOLD THE BARREL NUT IN THE PROPER ALIGNMENT.

SECTION 1: CRIB ASSEMBLY

STEP 6

PARTS AND TOOLS REQUIRED TO COMPLETE STEP

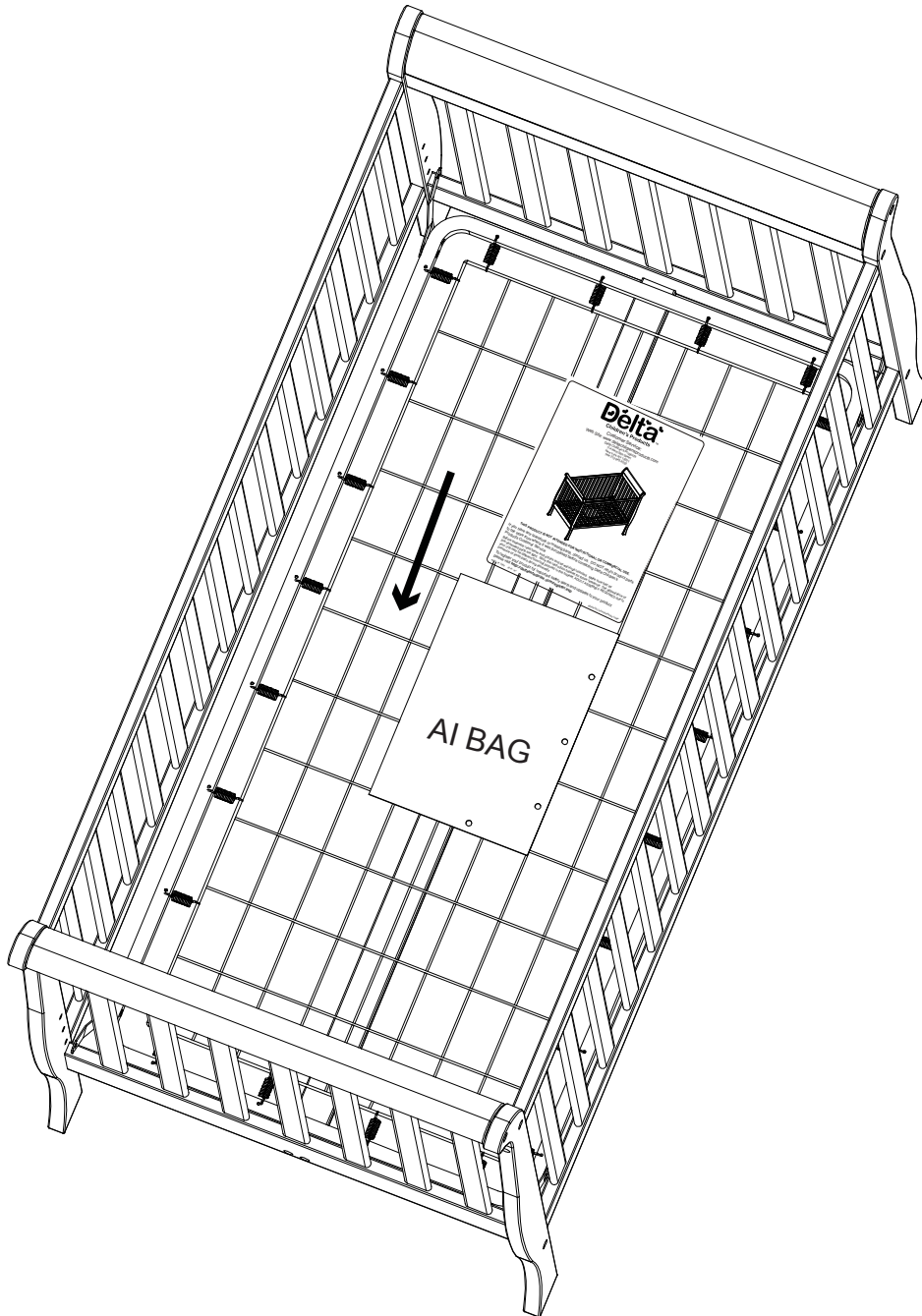


ASSEMBLY INSTRUCTION
BOOKLET



M4 ALLEN WRENCH
SUPPLIED

STORE THE ASSEMBLY INSTRUCTION BOOKLET AND THE ALLEN WRENCH IN THE POUCH ATTACHED TO THE MATTRESS SUPPORT.



 **WARNING:** SEE PAGE 2 FOR INFORMATION

SECTION 2: TODDLER BED CONVERSION

STEP 1

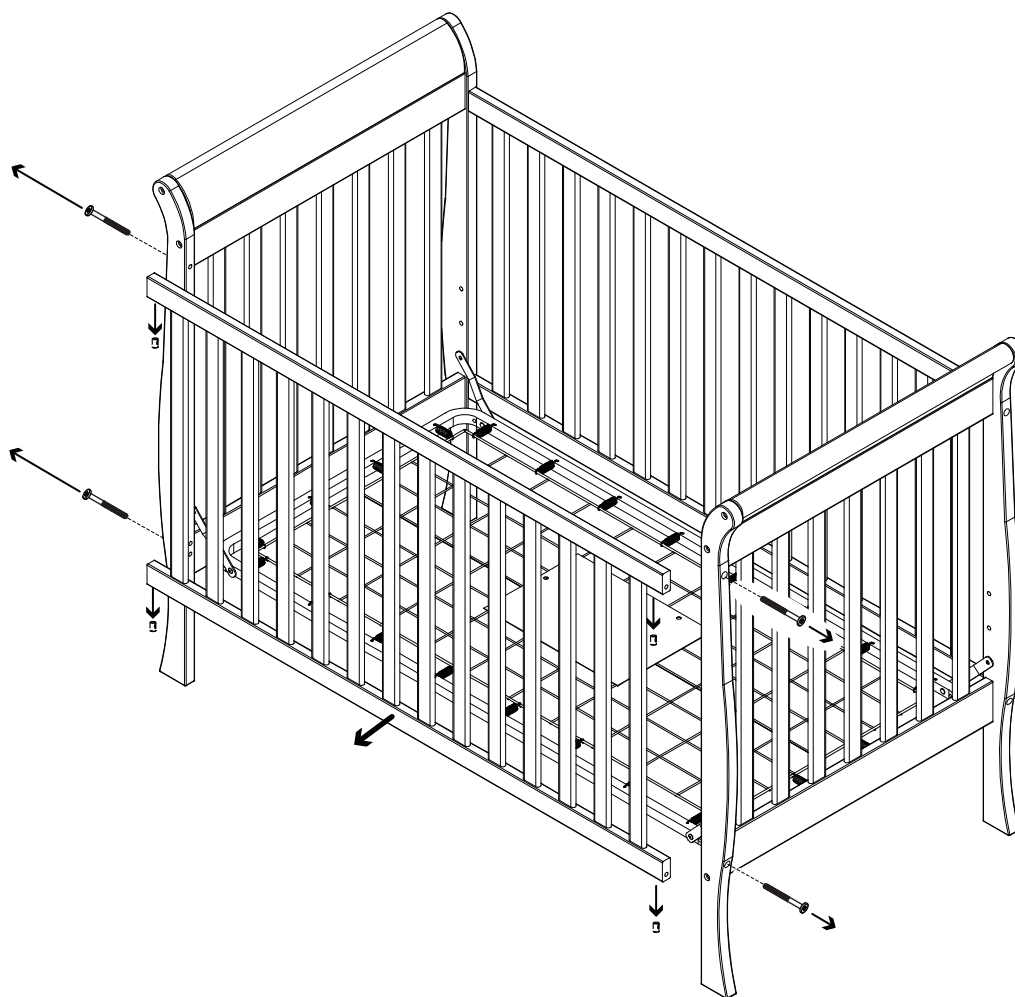
PARTS AND TOOLS REQUIRED TO COMPLETE STEP



FINISHED CRIB



M4 ALLEN WRENCH
SUPPLIED

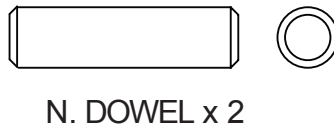
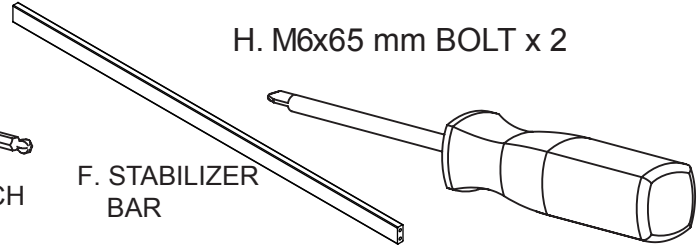
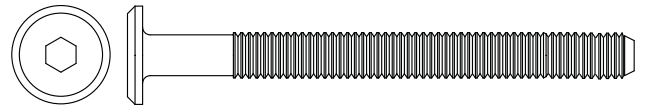


REMOVE THE SIDE INSTALLED IN STEP 5 OF SECTION 1 CRIB ASSEMBLY. REMOVE ONLY ONE SIDE.

SECTION 2: TODDLER BED CONVERSION

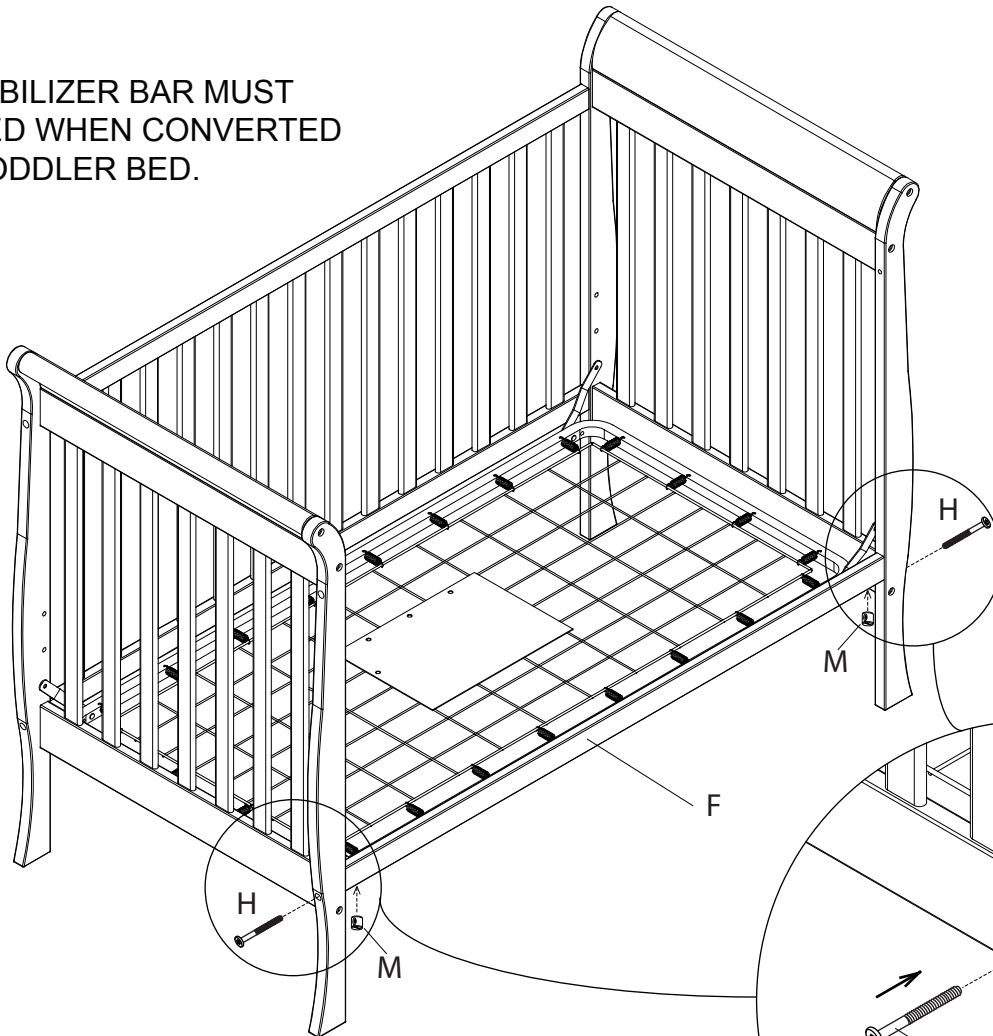
STEP 2

PARTS AND TOOLS REQUIRED TO COMPLETE STEP

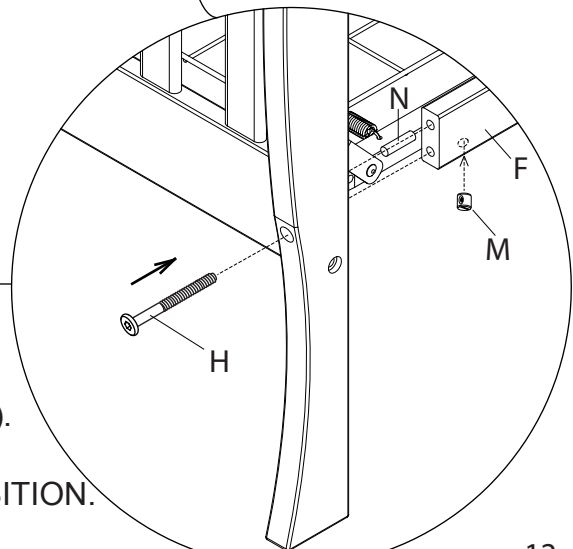


FLAT HEAD SCREWDRIVER
REQUIRED FOR ASSEMBLY
- NOT INCLUDED

**⚠ STABILIZER BAR MUST
BE USED WHEN CONVERTED
TO A TODDLER BED.**



ATTACH THE STABILIZER BAR (PART F) TO THE ASSEMBLIES FROM STEP 1 USING (2) DOWEL (PART N), (2) 65 mm BOLTS (PART H) AND (2) BARREL NUTS (PART M). TIGHTEN WITH THE ALLEN WRENCH. THE MATTRESS SUPPORT MUST BE IN THE LOWEST POSITION. STORE ALL HARDWARE SAFELY. READ ALL WARNINGS ON PAGE 3



SECTION 2: TODDLER BED CONVERSION

STEP 3



THE FINISHED TODDLER BED CAN ALSO BE USED AS A LOVESEAT SOFA.

⚠ WARNING: SEE PAGE 3 FOR TODDLER BED WARNINGS



Children's Products

Customer Service:

Web Site: www.deltachildrenproducts.com

Delta Children's Products

114 West 26th Street

New York, NY 10001

Tele.212-645-9033

Warranty: This Delta Crib is warranted to be free from defects for a period of 1 year from the date of purchase under normal use. This warranty extends only to the original retail purchaser and is valid only when supplied with proof of purchase, or if received as a gift, when the registration is on file with Delta.

To register your product for important safety alerts and updates to your product please visit <http://deltaenterprise.com/register.asp>

Please do not return this item to the store before contacting us about missing parts or with any questions.

To report a problem, please log on to www.deltachildrenproducts.com and click the Customer Service Tab, log on to www.deltaenterprise.com/customer_service.asp, or contact us by phone at (212) 645-9033.

In the event that you need to contact our customer service department please have the Style Number and Lot Number available. Use the space below to make note of those numbers. They can be found on the label on the Crib End bottom rail.

Style No.: _____

Lot No. : _____

Pack Date: _____

Date of Purchase: _____ (you should also keep your receipt)