

READ ALL INSTRUCTIONS BEFORE  
ASSEMBLY AND USE.  
**KEEP INSTRUCTIONS FOR FUTURE USE.**  
⚠️ **ADULT ASSEMBLY REQUIRED**  
DUE TO THE PRESENCE OF SMALL PARTS  
DURING ASSEMBLY, KEEP OUT OF REACH OF  
CHILDREN UNTIL ASSEMBLY IS COMPLETE.



**Delta**<sup>TM</sup>  
Children's Products

Consumer Care:  
[www.deltachildrenproducts.com](http://www.deltachildrenproducts.com)  
Delta Children's Products  
114 West 26th Street  
New York, NY 10001  
Tele.212-645-9033



**STYLE No: 6212**



COLOR



REV



FTY

**THIS PRODUCT IS NOT INTENDED FOR INSTITUTIONAL OR COMMERCIAL USE.**

If you have any questions or missing parts, contact us. DO NOT return product parts to the store from where it was purchased before contacting Delta Children's Products Customer Service.

Make sure that all preassemble parts are tight. The appearance of your product may be different from that pictured in this booklet.

To register your product for important safety alerts and updates to your product please visit [www.deltachildrenproducts.com](http://www.deltachildrenproducts.com)

**⚠CAUTION: ANY MATTRESS USED IN THIS CRIB MUST BE AT LEAST 27 1/4 INCHES BY 51 5/8 INCHES WITH A THICKNESS NOT EXCEEDING 6 INCHES.**

**⚠WARNING: CRIB**

Infants can suffocate on soft bedding. Never add a pillow or comforter. Never place additional padding under an infant.

Failure to follow these warnings and the assembly instructions could result in serious injury or death. DO NOT use this crib if you cannot exactly follow the accompanying instructions.

To reduce the risk of SIDS, pediatricians recommend healthy infants be placed on their backs to sleep, unless otherwise advised by your physician.

**ADULT ASSEMBLY REQUIRED DUE TO SMALL PARTS.**

\*Read all instructions before assembling crib. **KEEP INSTRUCTIONS FOR FUTURE USE.**

\***Strangulation Hazard:** STRINGS CAN CAUSE STRANGULATION! **Do not** place items with a string around a child's neck, such as hood strings or pacifier cords. **Do not** suspend strings over a crib or attach strings to toys.

\***Strangulation Hazard:** To help prevent strangulation tighten all fasteners. A child can trap parts of the body or clothing on loose fasteners.

\***Strangulation Hazard:** **Do not** place crib near windows or patio doors where cords from blinds or drapes may strangle a child.

\***Fall Hazard:** When child is able to pull to a standing position, set mattress to lowest position and remove bumper pads, large toys and other objects that could serve as steps for climbing out. This crib has an adjustable mattress support. For the convenience of the parent when the baby is very small, the mattress support may be used in the highest position. Important: with the mattress support and mattress in the highest position, be absolutely sure that the top of the front crib side is at least 3 inches higher than the top surface of the mattress. If it is not, lower the mattress support and the mattress to the next highest position.

\***Fall Hazard:** Stop using crib when child begins to climb out or reaches a height of 35in. (90cm), whichever occurs first. The child should be placed in a youth or regular bed.

\*Check this product for damaged hardware, loose joints, missing parts or sharp edges before and after assembly and frequently during use. **Do not use crib** if any parts are missing, damaged or broken. Contact Delta Children's Products for replacement parts and instructional literature if needed. Do not substitute parts.

\*Follow warnings on **all** products in a crib.

\*If refinishing, use a non-toxic finish specified for children's products.

\***Never** use plastic shipping bags or other plastic film as mattress covers because they can cause suffocation.

\*Infants can suffocate in gaps between crib sides and a mattress that is too small. Use a crib mattress that is no thicker than 15 cm (6in) and is of such a size that, when it is pushed firmly against any side of the crib, it does not leave a gap of more than 3 cm (1 3/16 in) between the mattress and any part of the sides of the crib.

\*Ensure a safe environment for the child by checking regularly, before placing the child in the crib, that every component is properly and securely in place.

\*To avoid head injury, do not allow any child to play underneath the crib.

\***Never** add an accessory such as a bassinet or changing table that extends over the sleeping area.

# TODDLER BED

## **WARNING ENTRAPMENT/STRANGULATION HAZARD**

\*INFANTS HAVE DIED IN **TODDLER BEDS** FROM ENTRAPMENT AND STRANGULATION. Failure to follow these warnings and the assembly instructions could result in serious injury or death.

\***Never** use bed with children under 15 months.

\***Never** place bed near windows where cords from blinds or drapes may strangle a child.

\***Do not** place items with a string, cord, or ribbon around a child's neck, such as hood strings or pacifier cords.

\***Do not** suspend strings over a toddler bed for any reason.

\*The users maximum weight shall not be greater than 50 lb (22.7kg).

\*The mattress intended for use on the bed shall be a full-size crib mattress having minimum dimensions of 51 5/8 in. (1310 mm) in length, 27 1/4 in. (690 mm) in width and 4 in. (100 mm) in thickness.

\*Stabilizer bar must be used when converted to a toddler bed.

### **NOTES ON ASSEMBLY:**

-During the assembly process whenever using screws or bolts, check each by placing the screw/bolt on the diagram of the item which is drawn actual size and design. Be sure to use the proper size and shape specified in the instructions.

-To assemble this unit you may be required to place the unit on it's side and face. It is strongly recommended that assembly is done on a soft, non-abrasive surface to avoid damaging the finish.

### **NOTES ON USE:**

Keep children and others safe by following these simple rules:

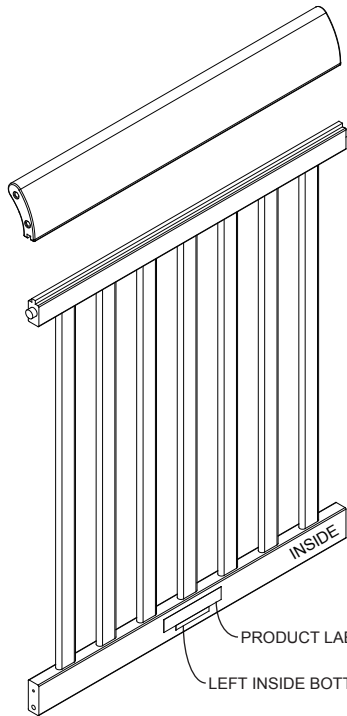
- **Do not** allow any child to play on furniture
- **Do not** allow climbing on any piece of furniture.
- **Do not** allow hanging from any piece of furniture.
- Always monitor your child's activity when in the nursery.

### **NOTES ON CARE AND MAINTENANCE:**

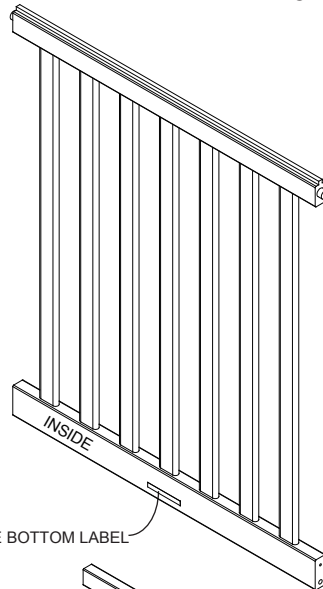
- **Do not** scratch or chip the finish.
- Inspect the product periodically, contact delta children's products for replacement parts or questions.
- **Do not** store the product or any parts in extreme temperatures and conditions such as a hot attic or a damp, cold basement. These extremes can cause a loss of structural integrity.
- To preserve the luster of the high quality finish on your product, it is recommended to place a doily or felt pad under any items you place on the finish.
- Clean with a damp cloth, then a dry cloth to preserve the original luster and beauty of this fine finish.
- Do not** use abrasive chemicals.
- Do not** spray cleaners directly onto furniture.
- Lift slightly when moving on carpeting to prevent leg breakage.
- Use of a vaporizer near furniture will cause wood to swell and finish to peel.

# PARTS: MAKE SURE THAT ALL PRE-ASSEMBLED PARTS ARE TIGHT.

A. CRIB END TOP x 2  
PART # 21628



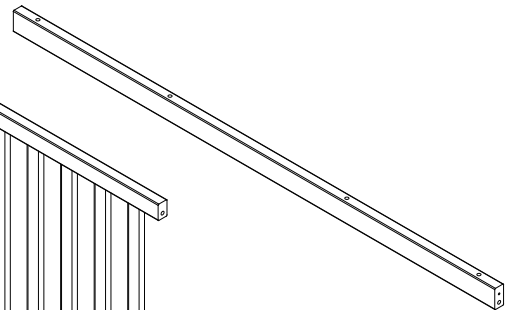
C. RIGHT CRIB END BOTTOM x 1  
PART # 21627



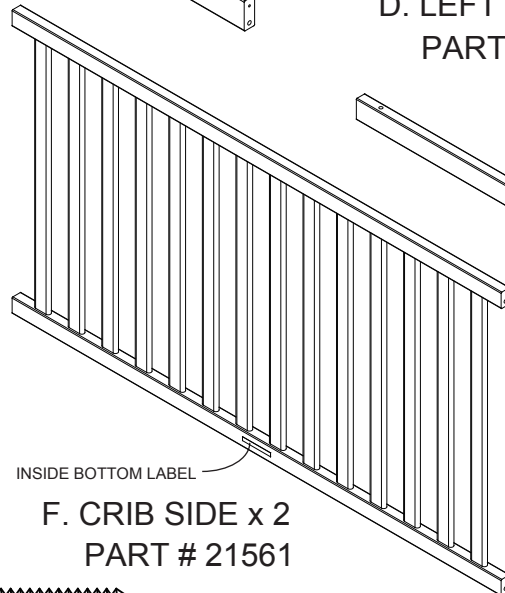
E. RIGHT LEG x 2  
PART # 21563



D. LEFT LEG x 2  
PART # 21562



B. LEFT CRIB END BOTTOM x 1  
PART # 21560

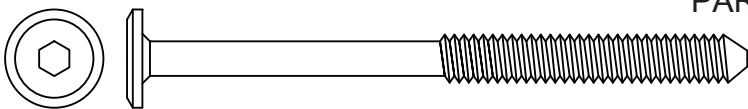


## HARDWARE KIT PART # 21566 FOR COLOR 607. SEE FRONT COVER.

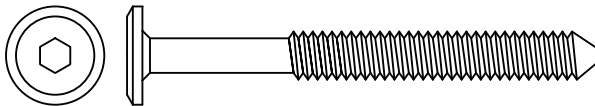


H.  $\Phi 4 \times 30$  mm METAL PIN x 6

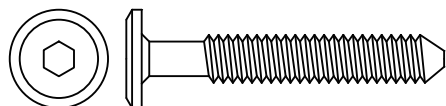
G. STABILIZER BAR x 1  
PART # 21564



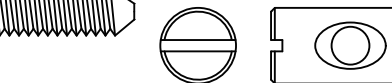
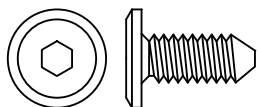
J. M6x80 mm BOLT x 8



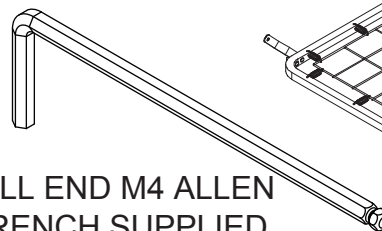
K. M6x60 mm BOLT x 4



L. M6x40 mm BOLT x 8

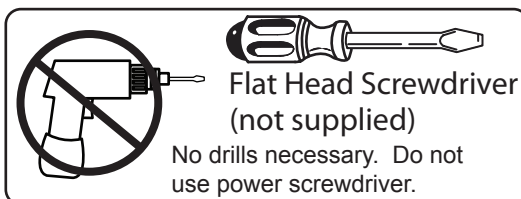
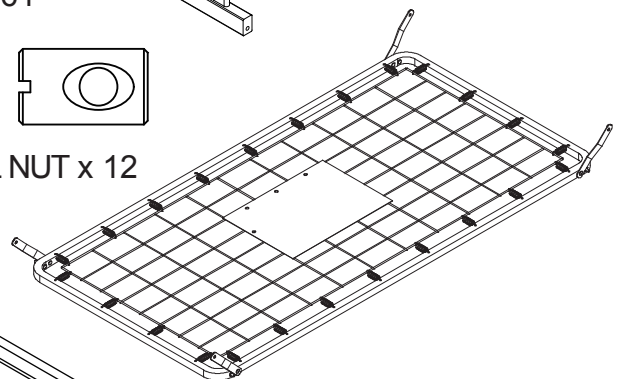


N. BARREL NUT x 12



BALL END M4 ALLEN WRENCH SUPPLIED

P. MATTRESS SUPPORT x 1  
PART # 21149



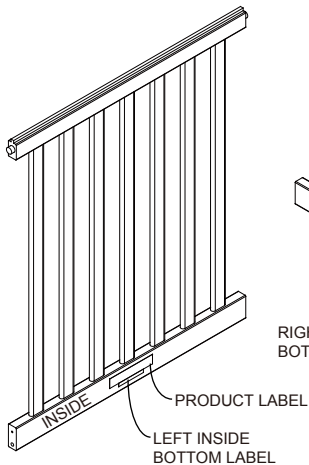
POUCH ATTACHED TO MATTRESS SUPPORT - KEEP INSTRUCTIONS IN THIS POUCH AFTER ASSEMBLY. WARNINGS RELATED TO THE SAFE USE OF THIS CRIB ARE PRINTED ON THE POUCH.

# SECTION 1: CRIB ASSEMBLY

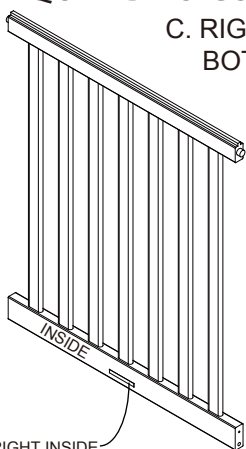
## STEP 1

### PARTS AND TOOLS REQUIRED TO COMPLETE STEP

B. LEFT CRIB END BOTTOM x 1



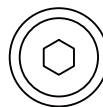
C. RIGHT CRIB END BOTTOM x 1



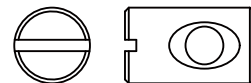
E. RIGHT LEG x 2



D. LEFT LEG x 2

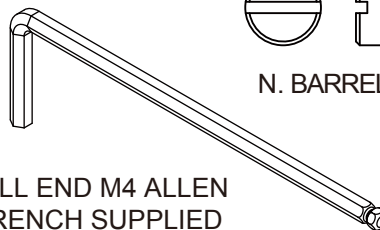


K. M6x60 mm BOLT x 4



N. BARREL NUT x 4

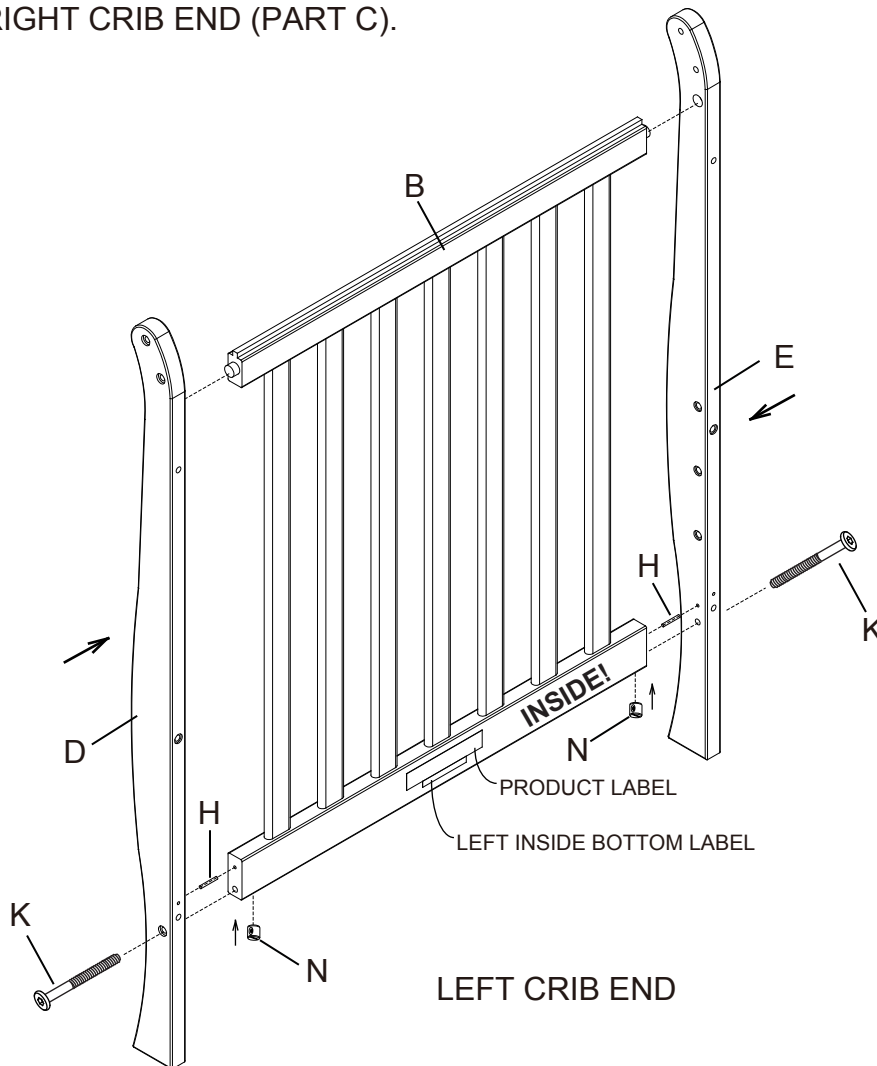
BALL END M4 ALLEN WRENCH SUPPLIED



H.  $\Phi$ 4x30 mm METAL PIN x 4



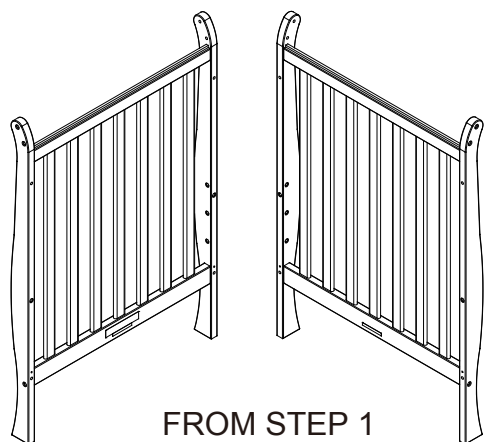
ATTACH (1) LEFT CRIB END BOTTOM (PART B) TO (1) LEFT LEG (PART D) AND (1) RIGHT LEG (PART E) USING (2)  $\Phi$ 4x30 mm METAL PIN (PART H), (2) M6x60mm BOLTS (PART K) AND (2) BARREL NUTS (PART N). TIGHTEN WITH THE M4 ALLEN WRENCH. USE THE FLAT HEAD SCREWDRIVER TO HOLD THE BARREL NUT IN THE PROPER ALIGNMENT. REPEAT ON THE RIGHT CRIB END (PART C).



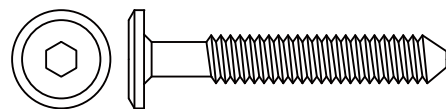
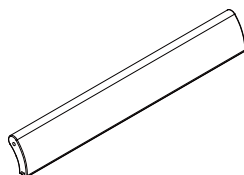
# SECTION 1: CRIB ASSEMBLY

## STEP 2

### PARTS AND TOOLS REQUIRED TO COMPLETE STEP



A. CRIB END TOP x 2

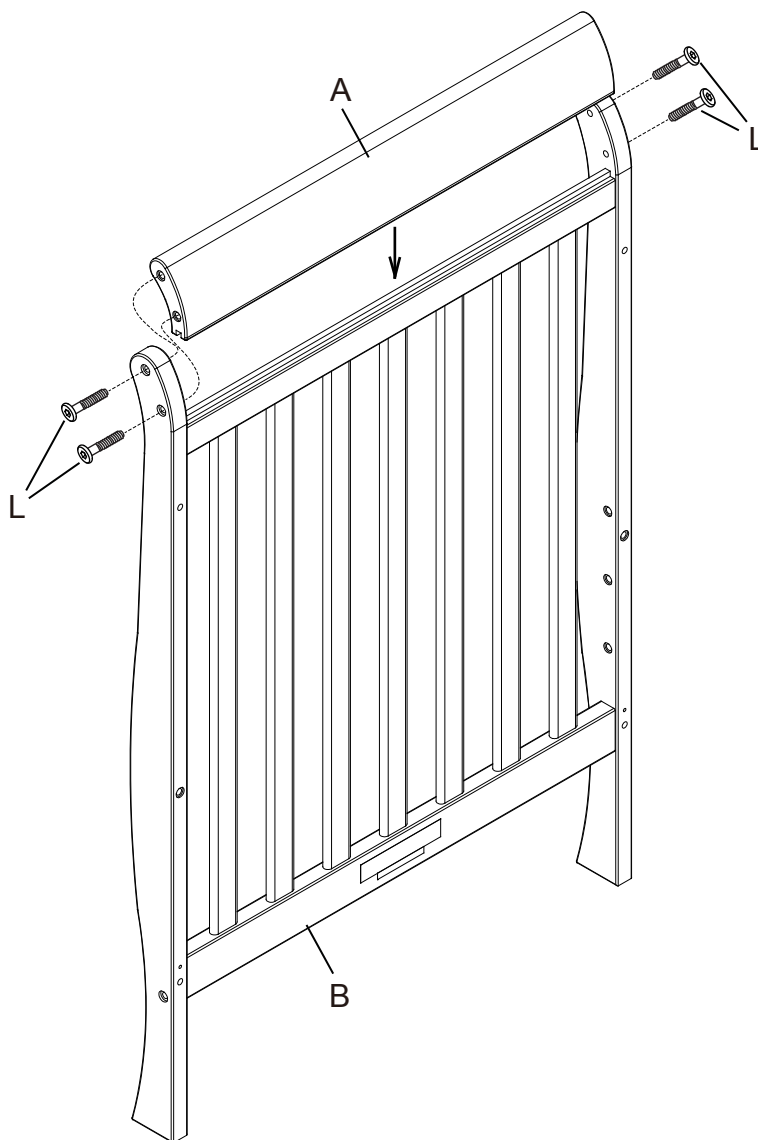


L. M6x40 mm BOLT x 8



BALL END M4 ALLEN WRENCH SUPPLIED

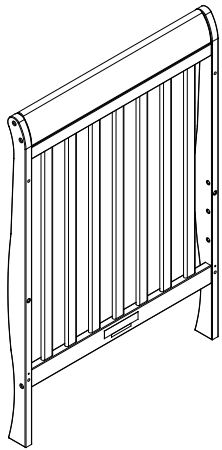
INSERT THE SLOT OF THE CRIB END TOP (PART A) INTO THE TENON ON TOP OF THE LEFT CRIB END BOTTOM (PART B), THEN INSERT THE (4) M6x40mm BOLTS (PART L), THROUGH THE LEGS INTO THE METAL INSERTS ON THE CRIB END TOP (PART A) AS SHOWN. REPEAT ON THE RIGHT CRIB END.



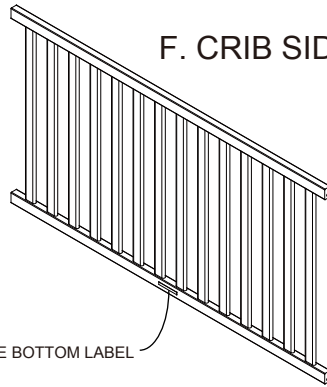
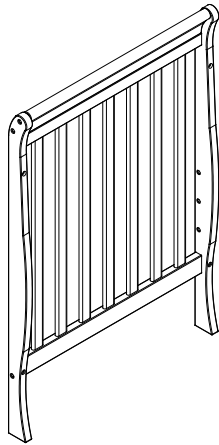
# SECTION 1: CRIB ASSEMBLY

## STEP 3

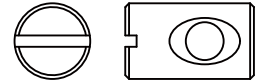
PARTS AND TOOLS REQUIRED TO COMPLETE STEP



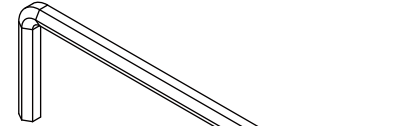
FROM STEP 2



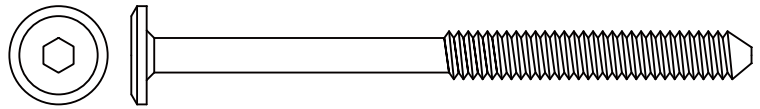
F. CRIB SIDE x 1



N. BARREL NUT x 4

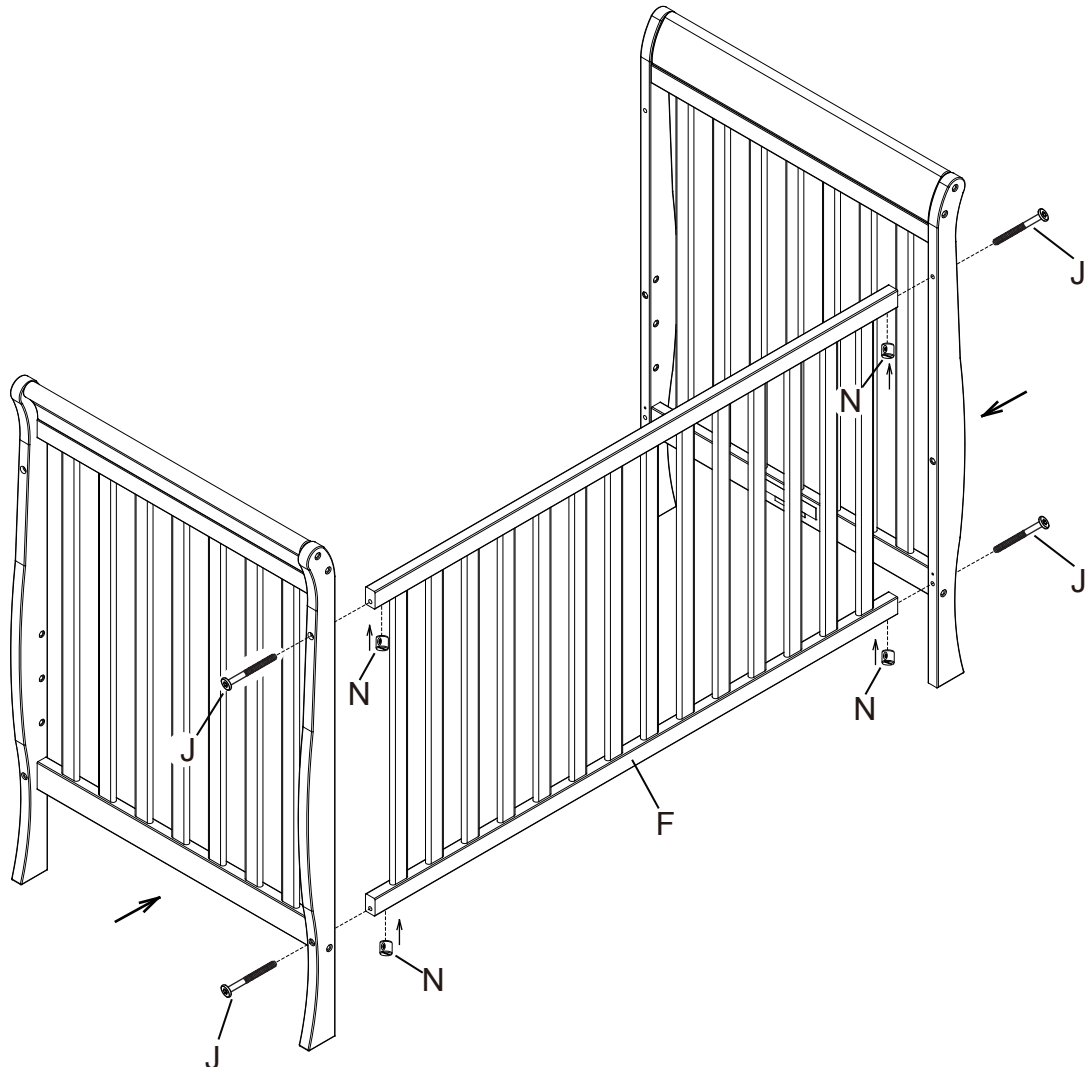


BALL END M4 ALLEN WRENCH SUPPLIED



J. M6x80 mm BOLT x 4

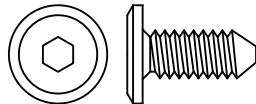
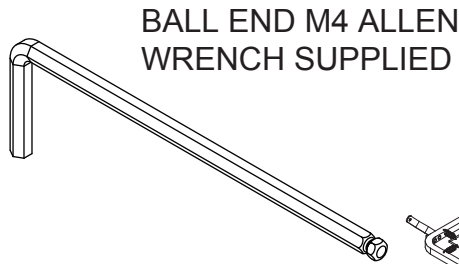
ATTACH (1) CRIB SIDE (PART F) TO THE ASSEMBLIES FROM STEP 2 USING (4) M6x80 mm BOLTS (PART J) AND (4) BARREL NUTS (PART N). INSTALL ONLY (1) CRIB SIDE AT THIS TIME, THE OTHER WILL BE INSTALLED IN STEP 5. TIGHTEN WITH THE M4 ALLEN WRENCH. USE THE FLAT HEAD SCREWDRIVER TO HOLD THE BARREL NUT IN THE PROPER ALIGNMENT.



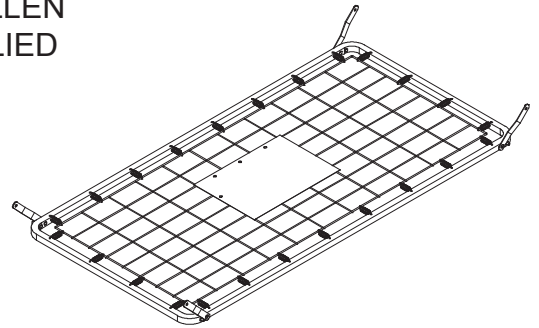
# SECTION 1: CRIB ASSEMBLY

## STEP 4

PARTS AND TOOLS REQUIRED TO COMPLETE STEP



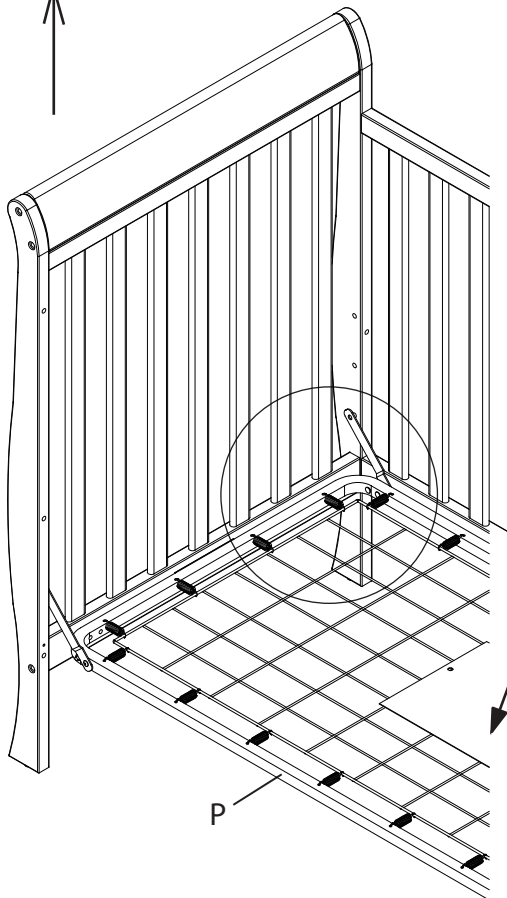
M. M6 x 15 mm BOLT x 4



P. MATTRESS SUPPORT x 1

ATTACH THE MATTRESS SUPPORT (PART P) IN ALL CORNERS USING (1) M6x15 mm BOLT (PART M) IN EACH CORNER. TIGHTEN WITH THE M4 ALLEN WRENCH.

UP  
↑



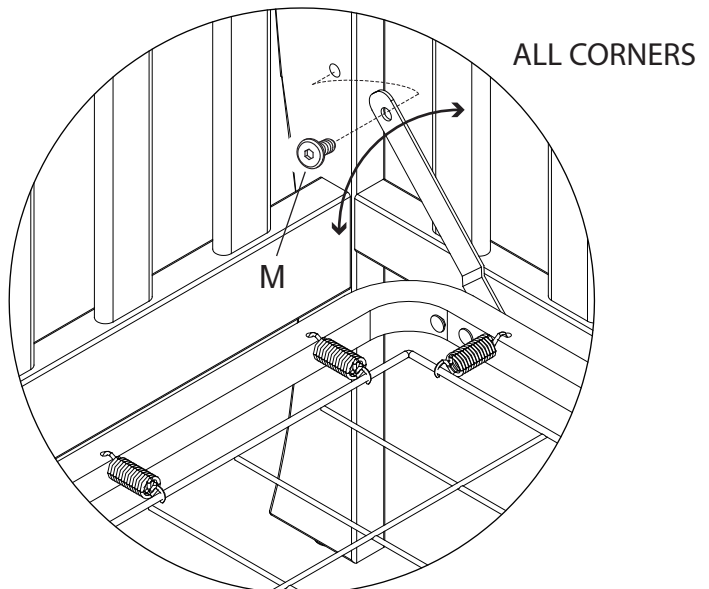
THE ⚠ WARNINGS PRINTED ON THE POUCH ATTACHED TO THE MATTRESS SUPPORT MUST FACE UP, THE SPRINGS MUST FACE UP.

THIS CRIB HAS (3) ADJUSTMENT POSITIONS, USE THE HIGHEST ONLY FOR NEW BORN, MOVE THE MATTRESS DOWN AS THE CHILD GROWS.

### ⚠ WARNING:

**FALL HAZARD:** WHEN CHILD IS ABLE TO PULL TO A STANDING POSITION, SET MATTRESS TO LOWEST POSITION AND REMOVE BUMPER PADS, LARGE TOYS AND OTHER OBJECTS THAT COULD SERVE AS STEPS FOR CLIMBING OUT.

⚠ WARNINGS ON POUCH MUST FACE UP.





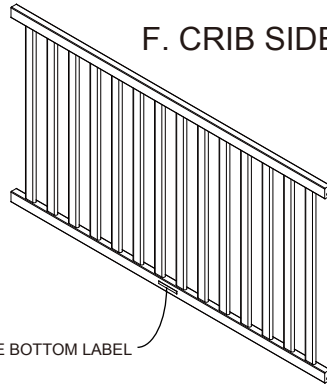
# SECTION 1: CRIB ASSEMBLY

## STEP 5

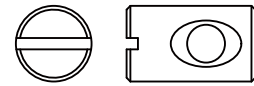
PARTS AND TOOLS REQUIRED TO COMPLETE STEP



FROM STEP 4



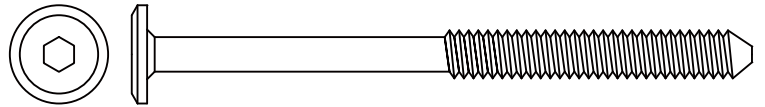
F. CRIB SIDE x 1



N. BARREL NUT x 4



BALL END M4 ALLEN WRENCH SUPPLIED



J. M6x80 mm BOLT x 4

ATTACH (1) CRIB SIDE (PART F) TO THE ASSEMBLY FROM STEP 4 USING (4) M6x80 mm BOLTS (PART J) AND (4) BARREL NUTS (PART N). TIGHTEN WITH THE M4 ALLEN WRENCH. USE THE FLAT HEAD SCREWDRIVER TO HOLD THE BARREL NUT IN THE PROPER ALIGNMENT.



# SECTION 1: CRIB ASSEMBLY

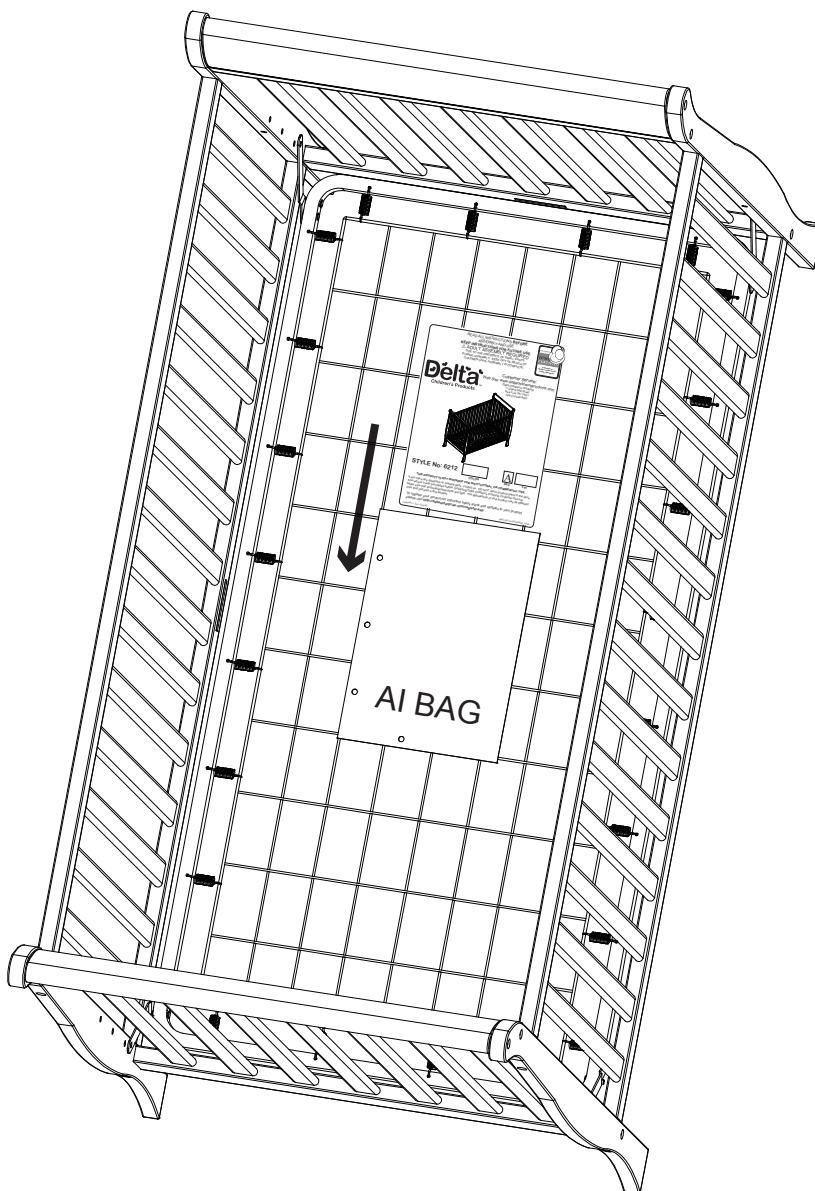
## STEP 6

### PARTS AND TOOLS REQUIRED TO COMPLETE STEP



ASSEMBLY INSTRUCTION BOOKLET

STORE THE ASSEMBLY INSTRUCTION BOOKLET IN THE POUCH ATTACHED TO THE MATTRESS SUPPORT. STORE ALL PARTS AND TOOLS SEPARATELY, IN A SAFE PLACE.



**⚠ WARNING: SEE PAGE 2 FOR INFORMATION**

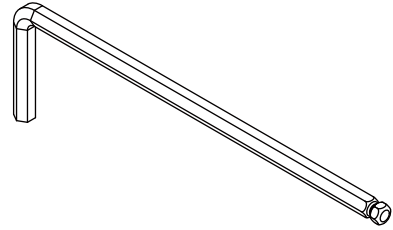
## SECTION 2: TODDLER BED CONVERSION

### STEP 1

PARTS AND TOOLS REQUIRED TO COMPLETE STEP

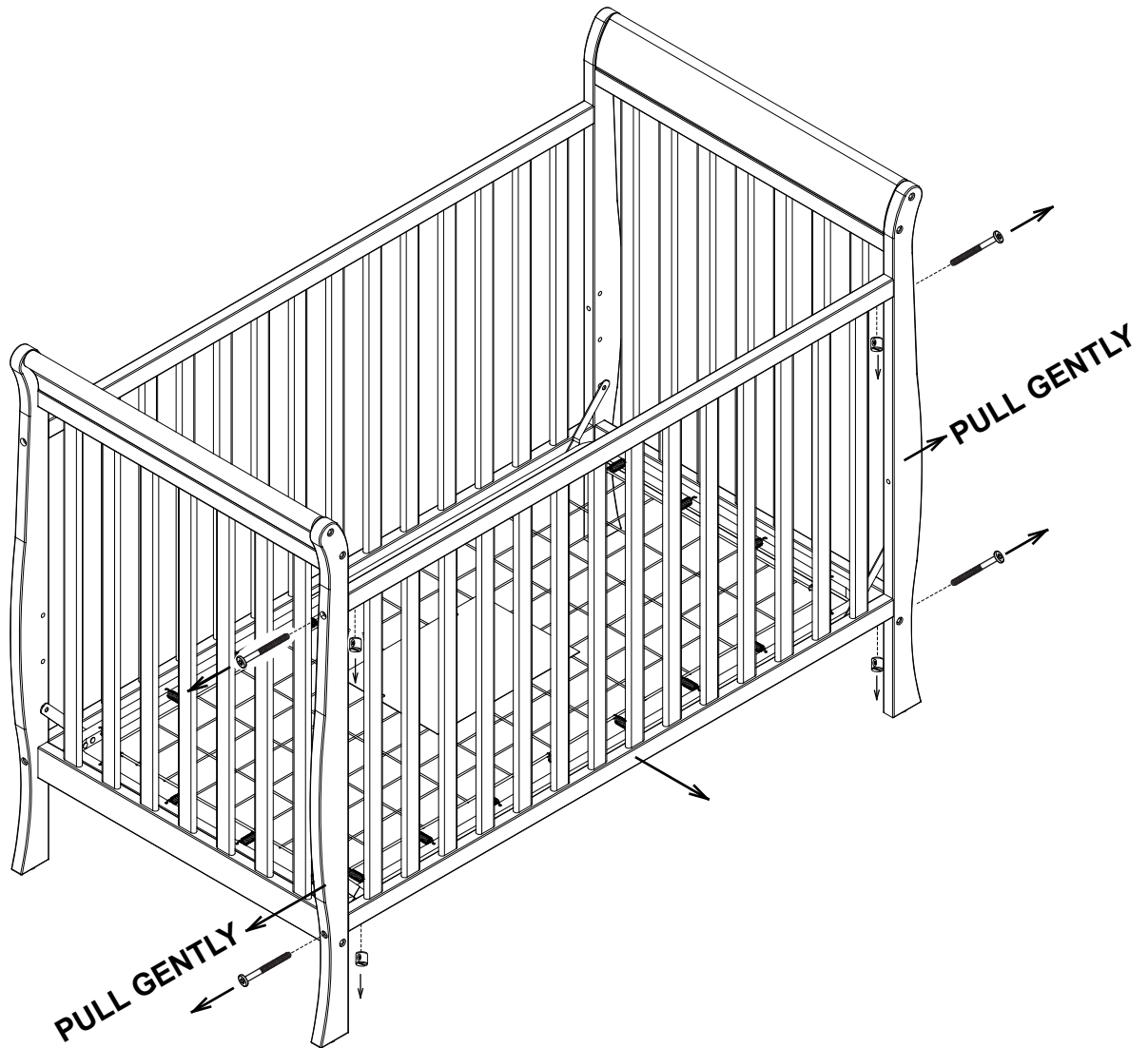


FINISHED CRIB



BALL END M4 ALLEN  
WRENCH SUPPLIED

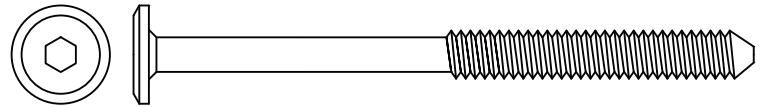
REMOVE THE SIDE INSTALLED IN STEP 5 OF SECTION 1 CRIB ASSEMBLY. REMOVE ONLY ONE SIDE.



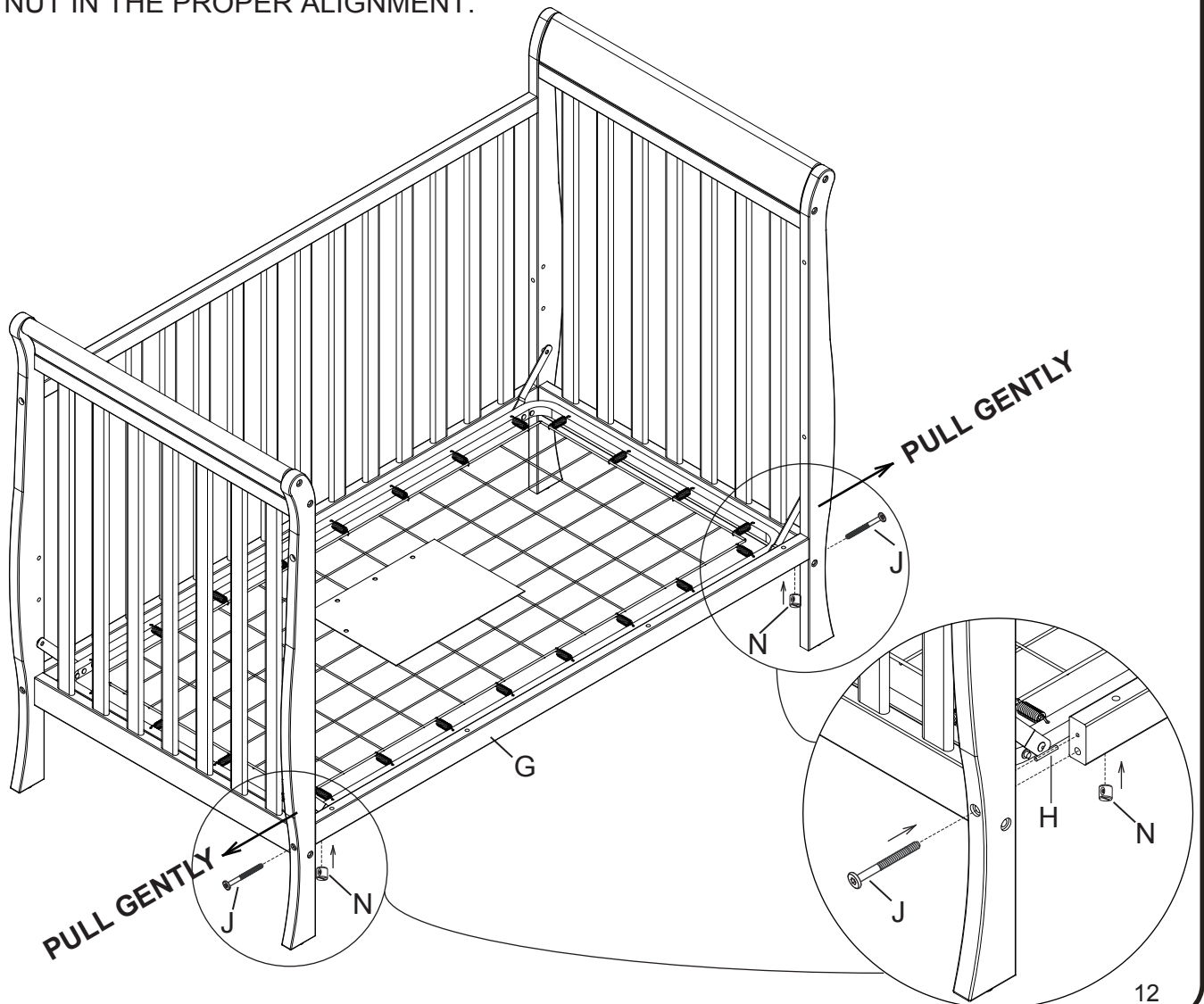
# SECTION 2: TODDLER BED CONVERSION

## STEP 2

PARTS AND TOOLS REQUIRED TO COMPLETE STEP



ATTACH THE STABILIZER BAR (PART G) TO THE ASSEMBLY FROM STEP 1 USING (2)  $\Phi 4 \times 30$  mm METAL PINS (PART H), (2) M6x80 mm BOLTS (PART J) AND (2) BARREL NUTS (PART N). TIGHTEN WITH THE M4 ALLEN WRENCH. USE THE FLAT HEAD SCREWDRIVER TO HOLD THE BARREL NUT IN THE PROPER ALIGNMENT.



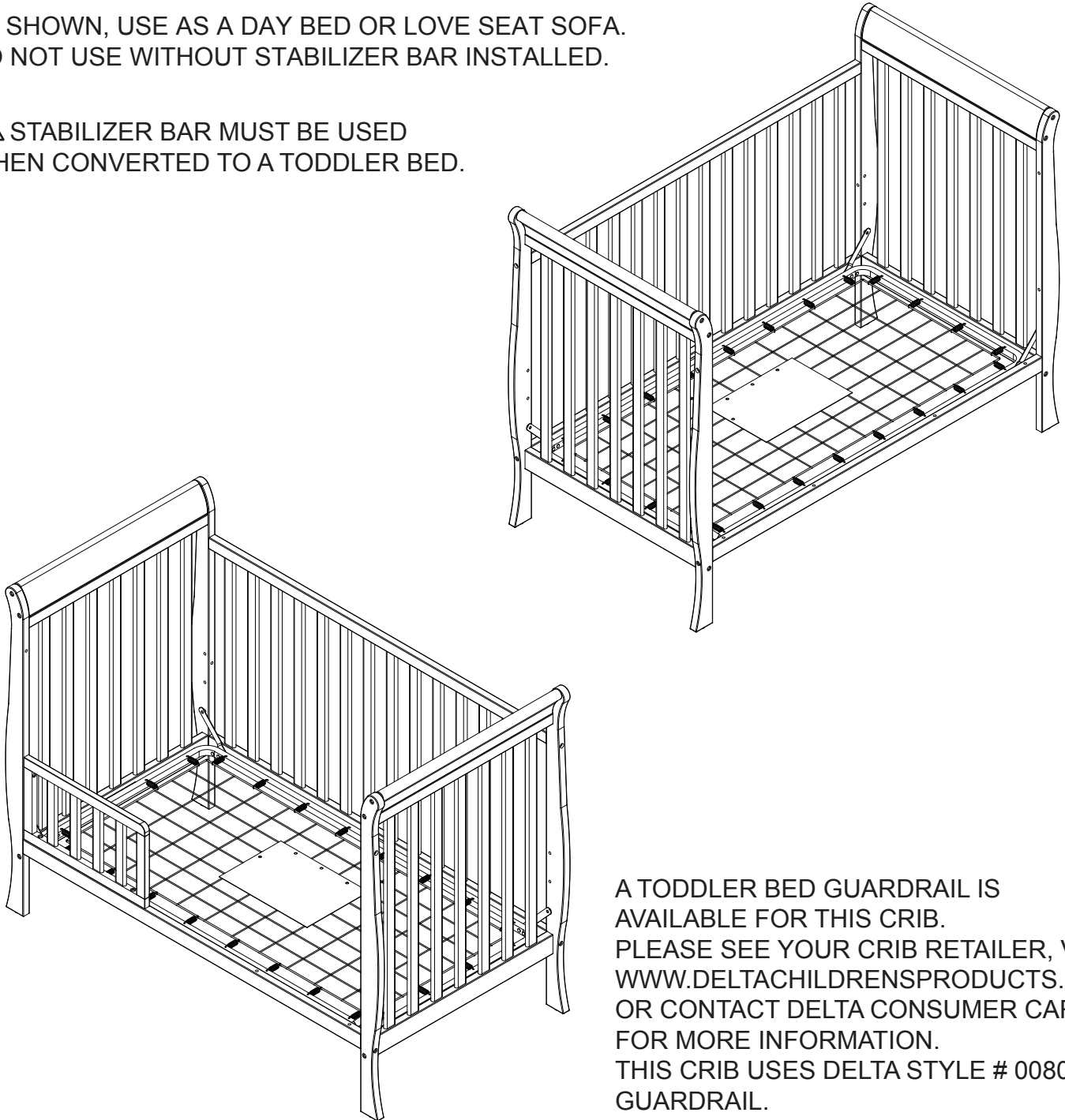
## SECTION 2: TODDLER BED CONVERSION STEP 3

# ⚠ WARNING: SEE PAGE 3 FOR TODDLER BED WARNINGS

THE MATTRESS SUPPORT MUST BE IN THE LOWEST POSITION.  
STORE ALL HARDWARE SAFELY.  
READ ALL WARNINGS ON PAGE 3

AS SHOWN, USE AS A DAY BED OR LOVE SEAT SOFA.  
DO NOT USE WITHOUT STABILIZER BAR INSTALLED.

⚠ STABILIZER BAR MUST BE USED  
WHEN CONVERTED TO A TODDLER BED.



A TODDLER BED GUARDRAIL IS  
AVAILABLE FOR THIS CRIB.  
PLEASE SEE YOUR CRIB RETAILER, VISIT  
[WWW.DELTACHILDRENSPRODUCTS.COM](http://WWW.DELTACHILDRENSPRODUCTS.COM)  
OR CONTACT DELTA CONSUMER CARE  
FOR MORE INFORMATION.  
THIS CRIB USES DELTA STYLE # 0080  
GUARDRAIL.

# Delta<sup>TM</sup>

## Children's Products

Consumer Care:

[www.deltachildrenproducts.com](http://www.deltachildrenproducts.com)

Delta Children's Products

114 West 26th Street

New York, NY 10001

Tele. 212-645-9033

**Warranty:** This Delta Crib is warranted to be free from defects for a period of 1 year from the date of purchase under normal use. This warranty extends only to the original retail purchaser and is valid only when supplied with proof of purchase, or if received as a gift, when the registration is on file with Delta.

To register your product for important safety alerts and updates to your product please visit **[www.deltachildrenproducts.com](http://www.deltachildrenproducts.com)**

Please do not return this item to the store before contacting us about missing parts or with any questions.

To report a problem, please log on to **[www.deltachildrenproducts.com](http://www.deltachildrenproducts.com)** and click the Consumer Care Tab, or contact us by phone at (212) 645-9033.

In the event that you need to contact our customer service department please have the Style Number and Lot Number available. Use the space below to make note of those numbers. They can be found on the label on the Crib End bottom rail.

Style No.: \_\_\_\_\_

Lot No. : \_\_\_\_\_

Pack Date: \_\_\_\_\_

Date of Purchase: \_\_\_\_\_ (you should also keep your receipt)