

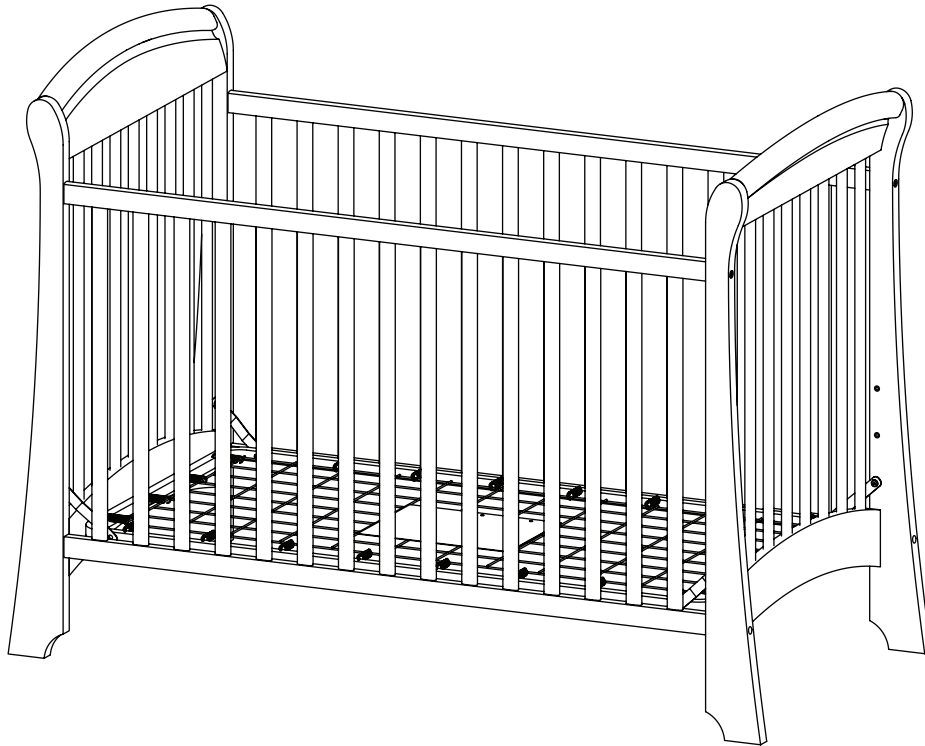
Delta™

Children's Products

Customer Service:

Web Site: www.deltachildrenproducts.com

Delta Children's Products
114 West 26th Street
New York, NY 10001
Tele.212-645-9033



THIS PRODUCT IS NOT INTENDED FOR INSTITUTIONAL OR COMMERCIAL USE.

If you have any questions or missing parts, contact us. **DO NOT** return product parts to the store from where it was purchased before contacting Delta Children's Products Customer Service

Before assembly read these instructions and all warnings included. Make sure that all pre-assembled parts are tight. Store this instruction booklet for future reference.

The appearance of your crib may be different from that pictured in this booklet.

ADULT ASSEMBLY REQUIRED due to presence of small parts during assembly.mayMAYMAY 25 2009

⚠CAUTION: ANY MATTRESS USED IN THIS CRIB MUST BE AT LEAST 27 1/4 INCHES BY 51 5/8 INCHES WITH A THICKNESS NOT EXCEEDING 6 INCHES.

⚠WARNING: CRIB

INFANTS CAN SUFFOCATE ON SOFT BEDDING. NEVER ADD A PILLOW, COMFORTER OR PADDING.

FAILURE TO FOLLOW THESE WARNINGS AND THE ASSEMBLY INSTRUCTIONS COULD RESULT IN SERIOUS INJURY OR DEATH.

TO REDUCE THE RISK OF SIDS, PEDIATRICIANS RECOMMEND HEALTHY INFANTS BE PLACED ON THEIR BACKS TO SLEEP, UNLESS OTHERWISE ADVISED BY YOUR PHYSICIAN.

ADULT ASSEMBLY REQUIRED DUE TO SMALL PARTS.

*READ ALL INSTRUCTIONS BEFORE ASSEMBLING CRIB. **KEEP INSTRUCTIONS FOR FUTURE USE.**

***STRANGULATION HAZARD:** STRINGS CAN CAUSE STRANGULATION! **DO NOT** PLACE ITEMS WITH A STRING AROUND A CHILD'S NECK, SUCH AS HOOD STRINGS OR PACIFIER CORDS. **DO NOT** SUSPEND STRINGS OVER A CRIB OR ATTACH STRINGS TO TOYS.

***STRANGULATION HAZARD:** TO HELP PREVENT STRANGULATION TIGHTEN ALL FASTENERS. A CHILD CAN TRAP PARTS OF THE BODY OR CLOTHING ON LOOSE FASTENERS.

***STRANGULATION HAZARD:** **DO NOT** PLACE CRIB NEAR WINDOW WHERE CORDS FROM BLINDS OR DRAPES MAY STRANGLE A CHILD.

***FALL HAZARD:** WHEN CHILD IS ABLE TO PULL TO A STANDING POSITION, SET MATTRESS TO LOWEST POSITION AND REMOVE BUMPER PADS, LARGE TOYS AND OTHER OBJECTS THAT COULD SERVE AS STEPS FOR CLIMBING OUT. THIS CRIB HAS AN ADJUSTABLE MATTRESS SUPPORT. FOR THE CONVENIENCE OF THE PARENT WHEN THE BABY IS VERY SMALL, THE MATTRESS SUPPORT MAY BE USED IN THE HIGHEST POSITION. IMPORTANT: WITH THE MATTRESS SUPPORT AND MATTRESS IN THE HIGHEST POSITION, BE ABSOLUTELY SURE THAT THE TOP OF THE FRONT CRIB SIDE IS AT LEAST 3 INCHES HIGHER THEN THE TOP SURFACE OF THE MATTRESS. IF IT IS NOT, LOWER THE MATTRESS SUPORT AND THE MATTRESS TO THE NEXT HIGHEST POSITION.

***FALL HAZARD:** WHEN CHILD IS ABLE TO CLIMB OUT OR REACHES THE HEIGHT OF 35 IN. (90 CM), THE CRIB SHALL NO LONGER BE USED, THE CHILD SHOULD BE PLACED IN A YOUTH OR REGULAR BED.

*CHECK THIS PRODUCT FOR DAMAGED HARDWARE, LOOSE JOINTS, MISSING PARTS OR SHARP EDGES BEFORE AND AFTER ASSEMBLY AND FREQUENTLY DURING USE. **DO NOT USE CRIB** IF ANY PARTS ARE MISSING, DAMAGED OR BROKEN. CONTACT DELTA CHILDRENS PRODUCTS FOR REPLACEMENT PARTS AND INSTRUCTIONAL LITERATURE IF NEEDED. **DO NOT** SUBSTITUTE PARTS.

***DO NOT** USE A WATER MATTRESS WITH THIS CRIB.

*IF REFINISHING, USE A NON-TOXIC FINISH SPECIFIED FOR CHILDREN'S PRODUCTS.

***NEVER** USE PLASTIC SHIPPING BAGS OR OTHER PLASTIC FILM AS MATTRESS COVERS BECAUSE THEY CAN CAUSE SUFFOCATION.

*INFANTS CAN SUFFOCATE IN GAPS BETWEEN CRIB SIDES AND A MATTRESS THAT IS TOO SMALL.

*ENSURE A SAFE ENVIRONMENT FOR THE CHILD BY CHECKING REGULARLY, BEFORE PLACING THE CHILD IN THE CRIB, THAT EVERY COMPONENT IS PROPERLY AND SECURELY IN PLACE.

*TO AVOID HEAD INJURY, DO NOT ALLOW ANY CHILD TO PLAY UNDERNEATH THE CRIB.

WARNING:TODDLER BED

FAILURE TO FOLLOW THESE WARNINGS AND THE ASSEMBLY INSTRUCTIONS COULD RESULT IN SERIOUS INJURY OR DEATH FROM ENTRAPMENT OR STRANGULATION. **DO NOT** PLACE BED NEAR WINDOWS WHERE CORDS FROM BLINDS OR DRAPES MAY STRANGLE A CHILD. THE MINIMUM AGE SHALL NOT BE LESS THAN 15 MONTHS AND THE MAXIMUM WEIGHT SHALL NOT BE GREATER THAN 50 LB (22.7kg).

THE MATTRESS INTENDED FOR USE ON THE BED SHALL BE A FULL-SIZE CRIB MATTRESS HAVING MINIMUM DIMENSIONS OF 51 5/8IN. (1310mm) IN LENGTH, 27 1/4IN. (690mm) IN WIDTH AND 4 IN. (100mm) IN THICKNESS.

DO NOT PLACE ITEMS WITH A STRING, CORD, OR RIBBON AROUND A CHILD'S NECK, SUCH AS HOOD STRINGS OR PACIFIER CORDS.

DO NOT SUSPEND STRINGS OVER A TODDLER BED FOR ANY REASON.

NOTES ON ASSEMBLY:

-DURING THE ASSEMBLY PROCESS WHENEVER USING SCREWS OR BOLTS, CHECK EACH BY PLACING THE SCREW/BOLT ON THE DIAGRAM OF THE ITEM WHICH IS DRAWN ACTUAL SIZE AND DESIGN. BE SURE TO USE THE PROPER SIZE AND SHAPE SPECIFIED IN THE INSTRUCTIONS.

-TO ASSEMBLE THIS UNIT YOU MAY BE REQUIRED TO PLACE THE UNIT ON IT'S SIDE AND FACE. IT IS STRONGLY RECOMMENDED THAT ASSEMBLY IS DONE ON A SOFT, NON-ABRASIVE SURFACE TO AVOID DAMAGING THE FINISH.

NOTES ON USE:

KEEP CHILDREN AND OTHERS SAFE BY FOLLOWING THESE SIMPLE RULES:

- **DO NOT** ALLOW ANY CHILD TO PLAY ON FURNITURE
- **DO NOT** ALLOW CLIMBING ON ANY PIECE OF FURNITURE.
- **DO NOT** ALLOW HANGING FROM ANY PIECE OF FURNITURE.
- ALWAYS MONITOR YOUR CHILD'S ACTIVITY WHEN IN THE NURSERY.

NOTES ON CARE AND MAINTAINENCE:

- **DO NOT** SCRATCH OR CHIP THE FINISH.

- INSPECT THE CRIB PERIODICALLY, CONTACT DELTA CHILDREN'S PRODUCTS FOR REPLACEMENT PARTS OR QUESTIONS.

- **DO NOT** STORE THE CRIB OR ANY PARTS IN EXTREME TEMPERATURES AND CONDITIONS SUCH AS A HOT ATTIC OR A DAMP, COLD BASEMENT. THESE EXTREMES CAN CAUSE A LOSS OF STRUCTURAL INTEGRITY.

-AN OCCASIONAL WAXING, PLUS REGULAR CLEANING WITH MILD SOAP ON A SOFT CLOTH, FOLLOWED BY A CLEAN DAMP CLOTH, THEN A DRY CLOTH, WILL PRESERVE THE ORIGINAL LUSTER AND BEAUTY OF THIS FINE FINISH.

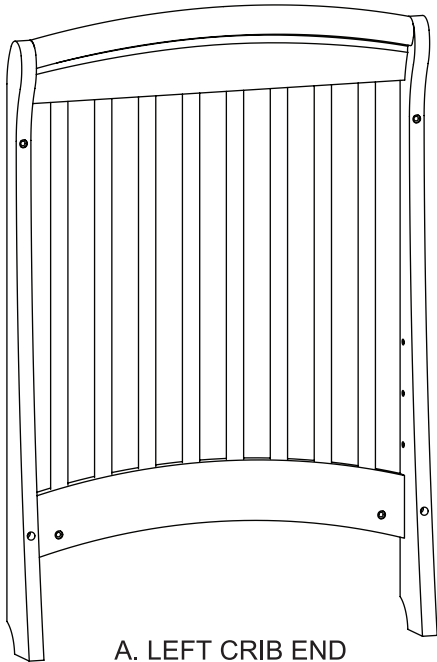
-**DO NOT** USE ABRASIVE CHEMICALS.

-**DO NOT** SPRAY CLEANERS DIRECTLY ONTO FURNITURE, SPRAY ONTO CLEANING CLOTH AND THEN APPLY TO FURNITURE. TEST IN AN INCONSPICUOUS AREA BEFORE APPLYING TO ENTIRE UNIT.

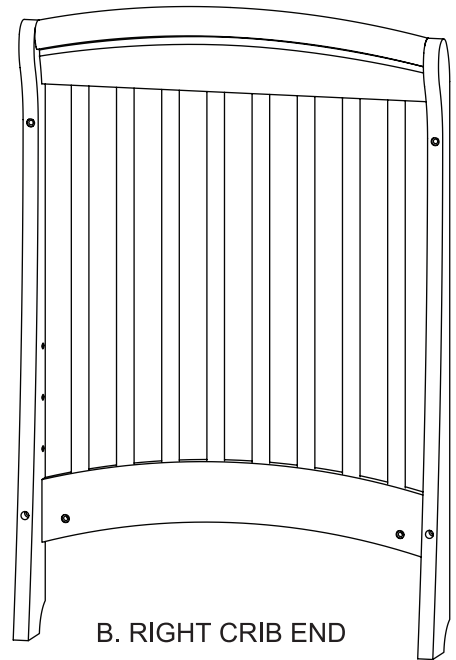
-LIFT SLIGHTLY WHEN MOVING ON CARPETING TO PREVENT LEG BREAKAGE.

-USE OF A VAPORIZER NEAR FURNITURE WILL CAUSE WOOD TO SWELL AND FINISH TO PEEL.

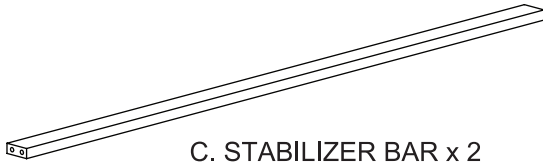
PARTS



A. LEFT CRIB END

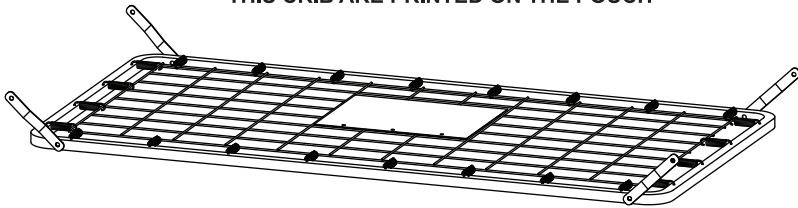


B. RIGHT CRIB END

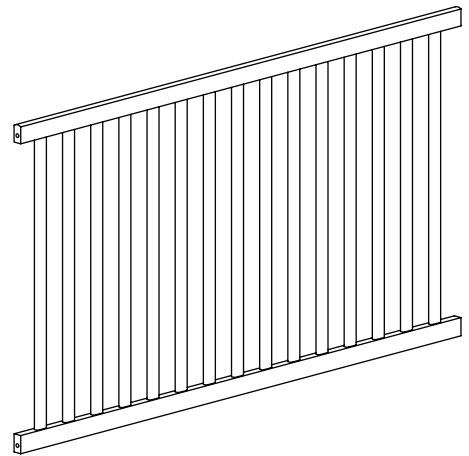


C. STABILIZER BAR x 2

**POUCH ATTACHED TO MATTRESS SUPPORT
- KEEP INSTRUCTIONS AND ANY EXTRA
HARDWARE AND TOOLS IN THIS POUCH
AFTER ASSEMBLY
WARNINGS RELATED TO THE SAFE USE OF
THIS CRIB ARE PRINTED ON THE POUCH**



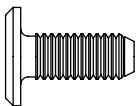
E. MATTRESS SUPPORT



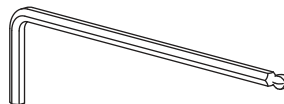
D. CRIB SIDE x 2



F. BARREL NUT x 12



J. MATTRESS SUPPORT BOLT x 4



M4 ALLEN WRENCH
SUPPLIED



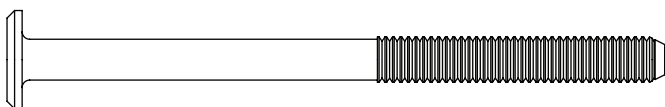
H. DOWEL x 4



U. ASSEMBLY BOLT x 4



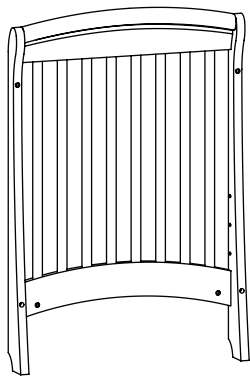
**FLAT HEAD SCREWDRIVER
REQUIRED FOR ASSEMBLY
- NOT INCLUDED**



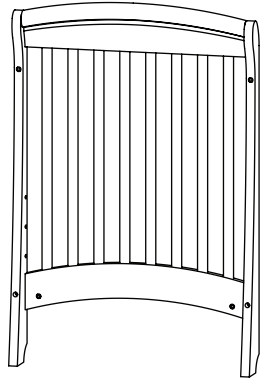
G. ASSEMBLY BOLT x 8

SECTION 1: CRIB ASSEMBLY

STEP 1 PARTS AND TOOLS REQUIRED TO COMPLETE STEP



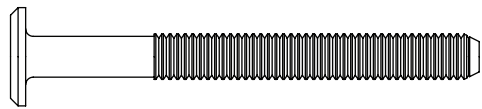
A. LEFT CRIB END



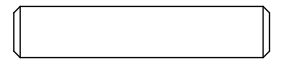
B. RIGHT CRIB END



M4 ALLEN WRENCH
SUPPLIED



U. ASSEMBLY BOLT x 4



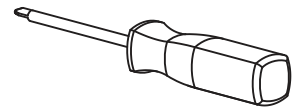
H. DOWEL x 4



F. BARREL NUT x 4



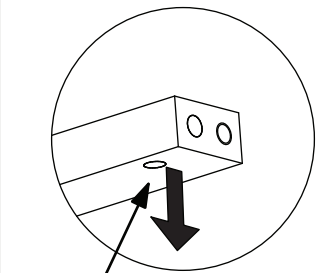
C. STABILIZER BAR x 2



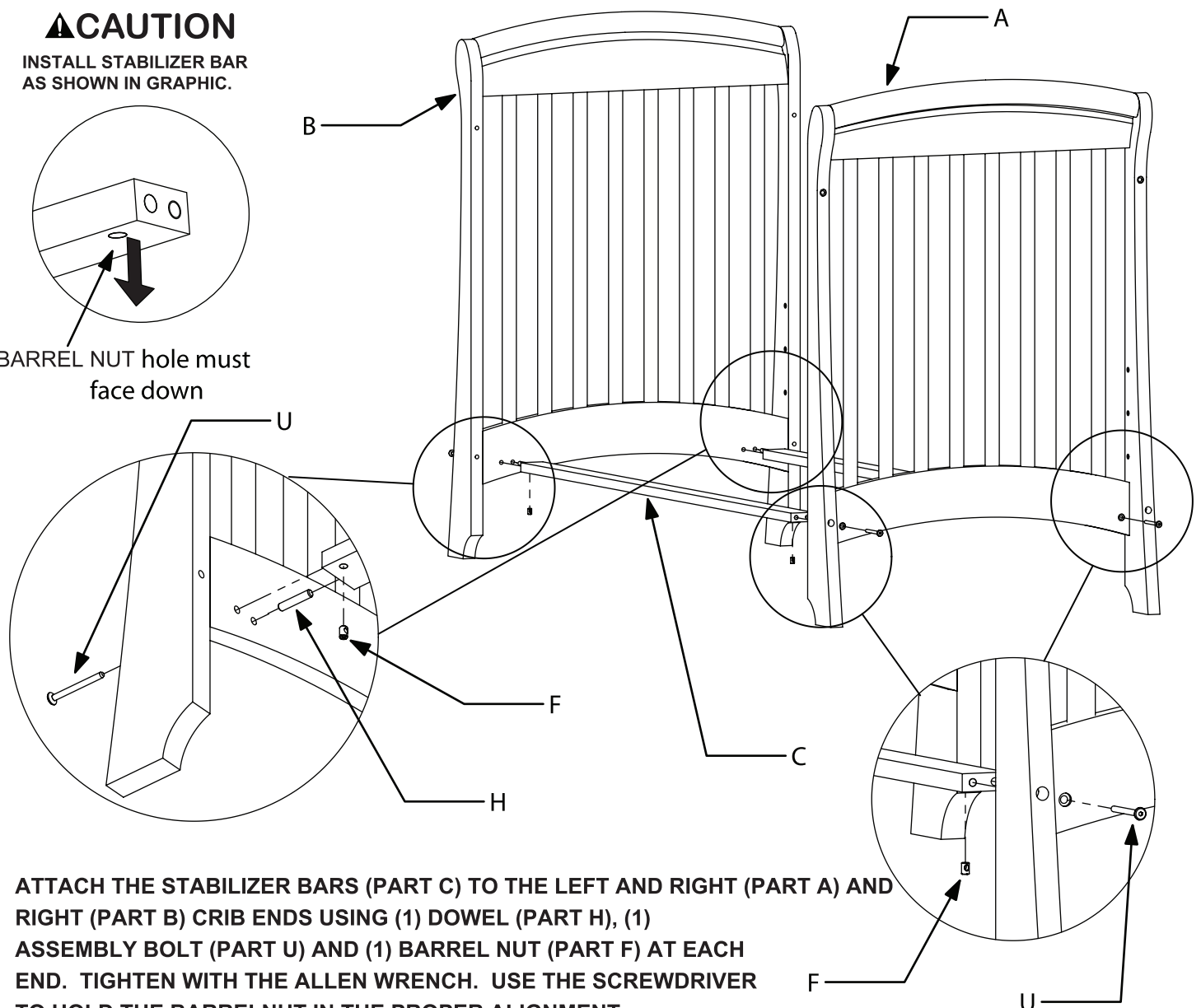
FLAT HEAD SCREWDRIVER
REQUIRED FOR ASSEMBLY
- NOT INCLUDED

CAUTION

INSTALL STABILIZER BAR
AS SHOWN IN GRAPHIC.



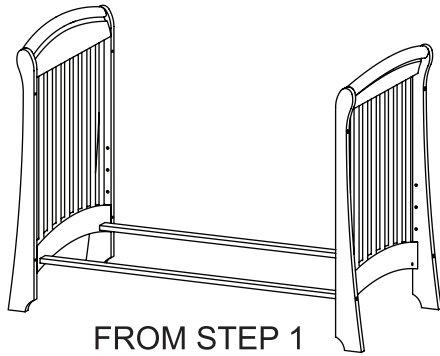
BARREL NUT hole must
face down



ATTACH THE STABILIZER BARS (PART C) TO THE LEFT AND RIGHT (PART A) AND
RIGHT (PART B) CRIB ENDS USING (1) DOWEL (PART H), (1)
ASSEMBLY BOLT (PART U) AND (1) BARREL NUT (PART F) AT EACH
END. TIGHTEN WITH THE ALLEN WRENCH. USE THE SCREWDRIVER
TO HOLD THE BARRELNUT IN THE PROPER ALIGNMENT.

SECTION 1: CRIB ASSEMBLY

STEP 2 PARTS AND TOOLS REQUIRED TO COMPLETE STEP



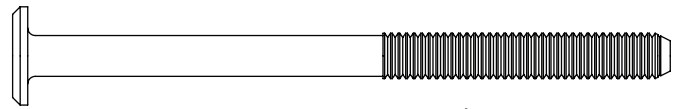
FROM STEP 1



F. BARREL NUT x 4



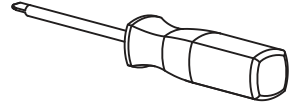
D. CRIB SIDE x 1



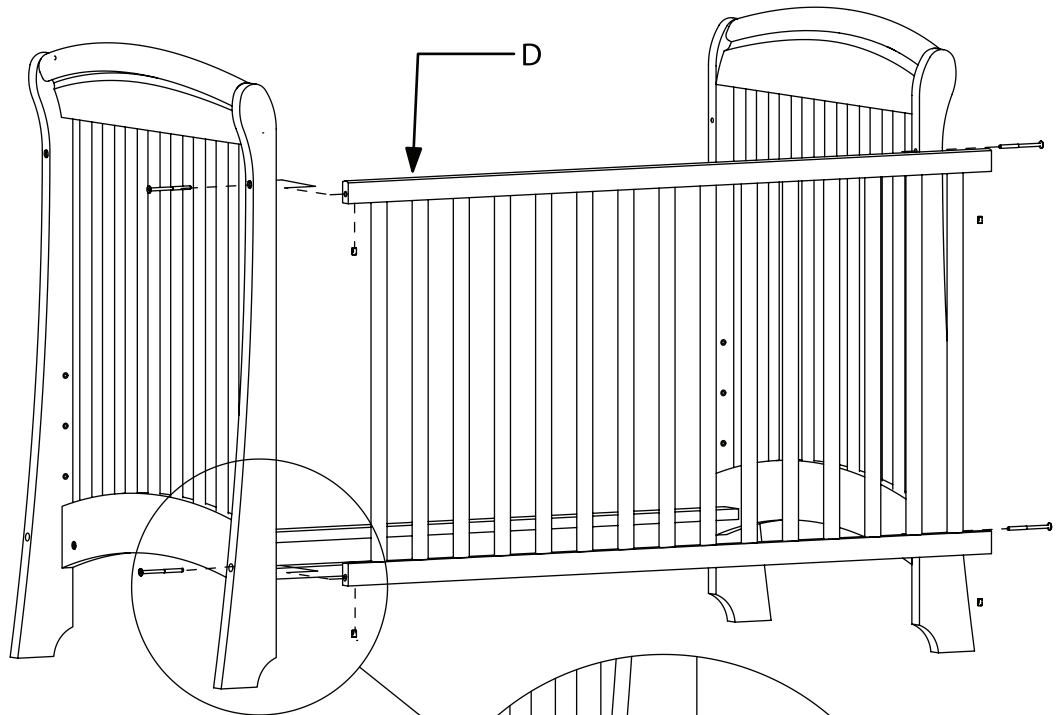
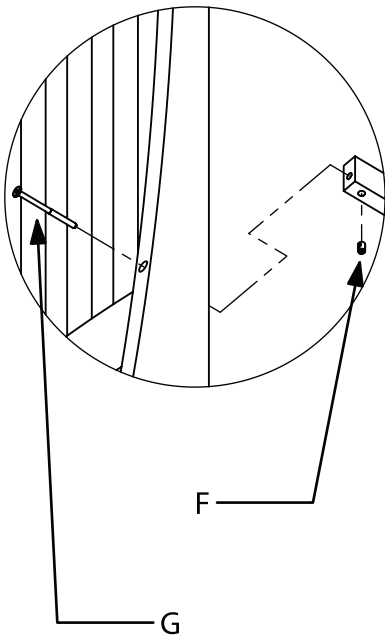
G. ASSEMBLY BOLT x 4



M4 ALLEN WRENCH
SUPPLIED

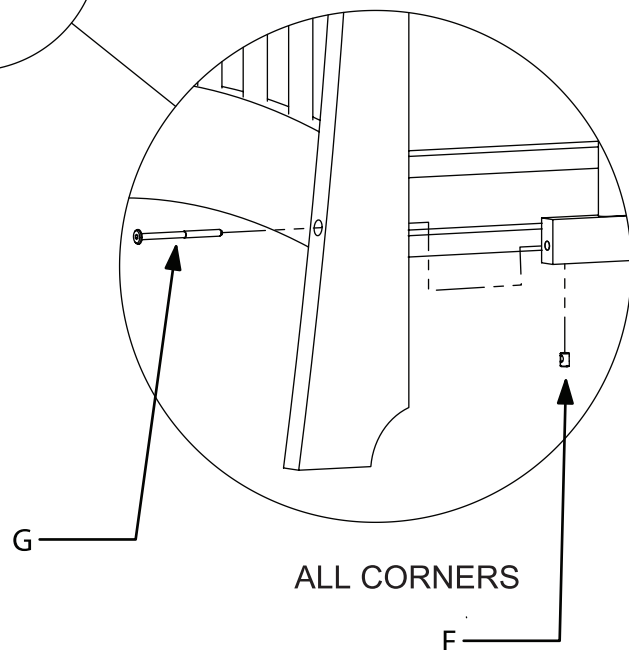


FLAT HEAD SCREWDRIVER
REQUIRED FOR ASSEMBLY
- NOT INCLUDED



ATTACH (1) CRIB SIDE (PART D) BETWEEN THE CRIB ENDS USING (2) ASSEMBLY BOLTS (PART G) AND (2) BARREL NUTS (PART F) AT EACH END. INSTALL ONLY (1) CRIB SIDE AT THIS TIME, THE OTHER WILL BE INSTALLED IN STEP 4.

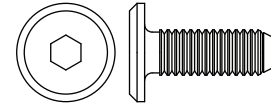
TIGHTEN WITH THE ALLEN WRENCH. USE THE SCREWDRIVER TO HOLD THE BARRELNUT IN THE PROPER ALIGNMENT.



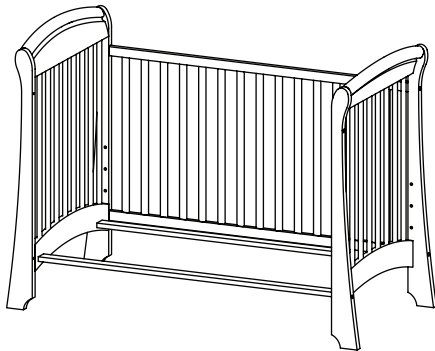
ALL CORNERS

SECTION 1: CRIB ASSEMBLY

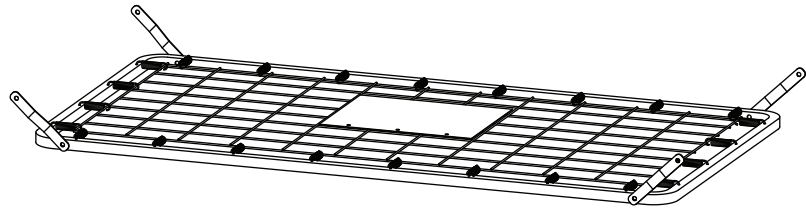
STEP 3 PARTS AND TOOLS REQUIRED TO COMPLETE STEP



J. MATTRESS SUPPORT BOLT x 4



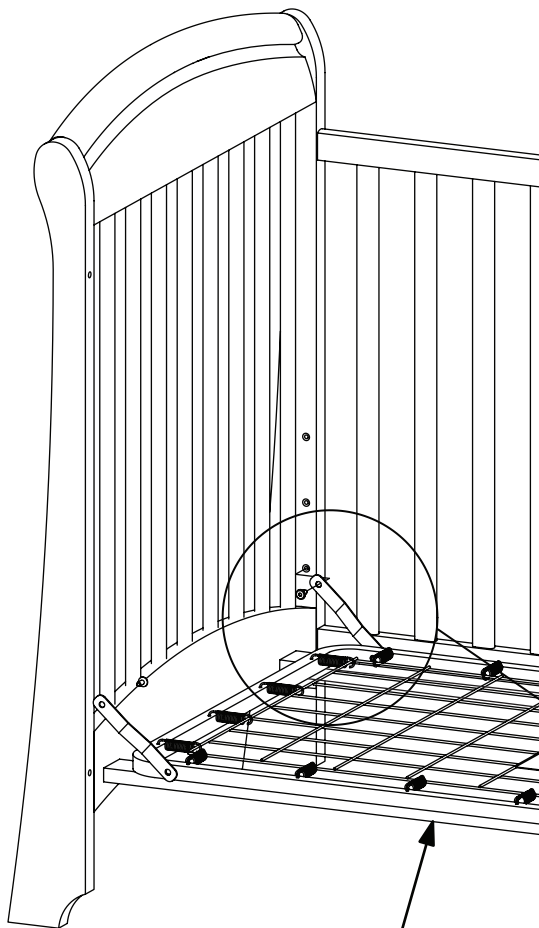
FROM STEP 2



E. MATTRESS SUPPORT



M4 ALLEN WRENCH SUPPLIED



E

J

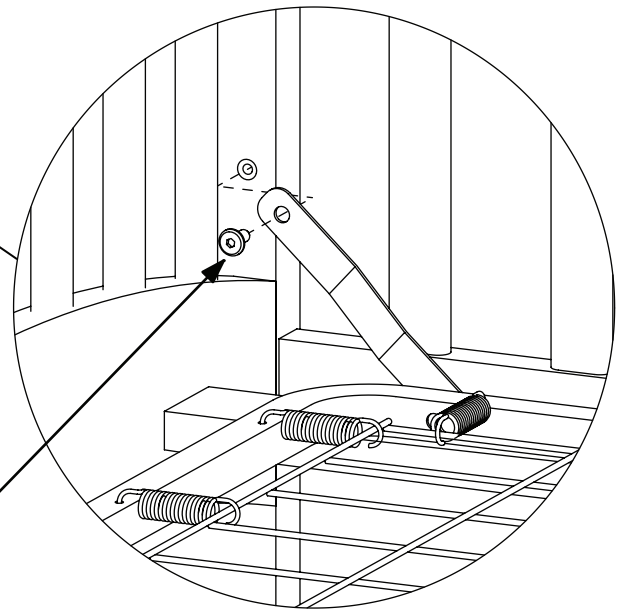
ATTACH THE MATTRESS SUPPORT (PART E) IN ALL CORNERS USING (1) MATTRESS SUPPORT BOLT (PART J) IN EACH CORNER.

TIGHTEN WITH THE ALLEN WRENCH.

THIS CRIB HAS (3) ADJUSTMENT POSITIONS, USE THE HIGHEST ONLY FOR NEW BORN, MOVE THE MATTRESS DOWN AS THE CHILD GROWS.

⚠ WARNING:

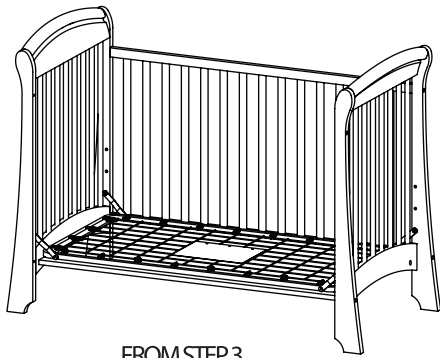
FALL HAZARD : WHEN CHILD IS ABLE TO PULL TO A STANDING POSITION, SET MATTRESS TO LOWEST POSITION AND REMOVE BUMPER PADS, LARGE TOYS AND OTHER OBJECTS THAT COULD SERVE AS STEPS FOR CLIMBING OUT.



ALL CORNERS

SECTION 1: CRIB ASSEMBLY

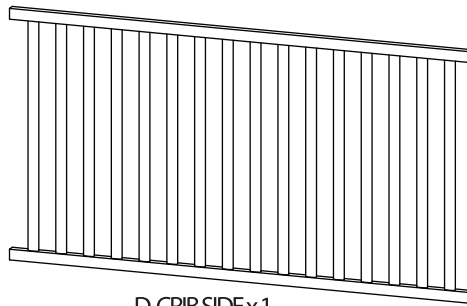
STEP 4 PARTS AND TOOLS REQUIRED TO COMPLETE STEP



FROM STEP 3



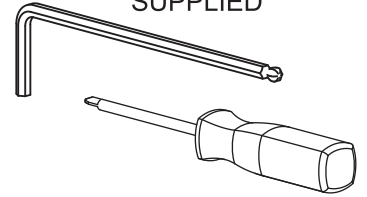
F. BARREL NUT x 4



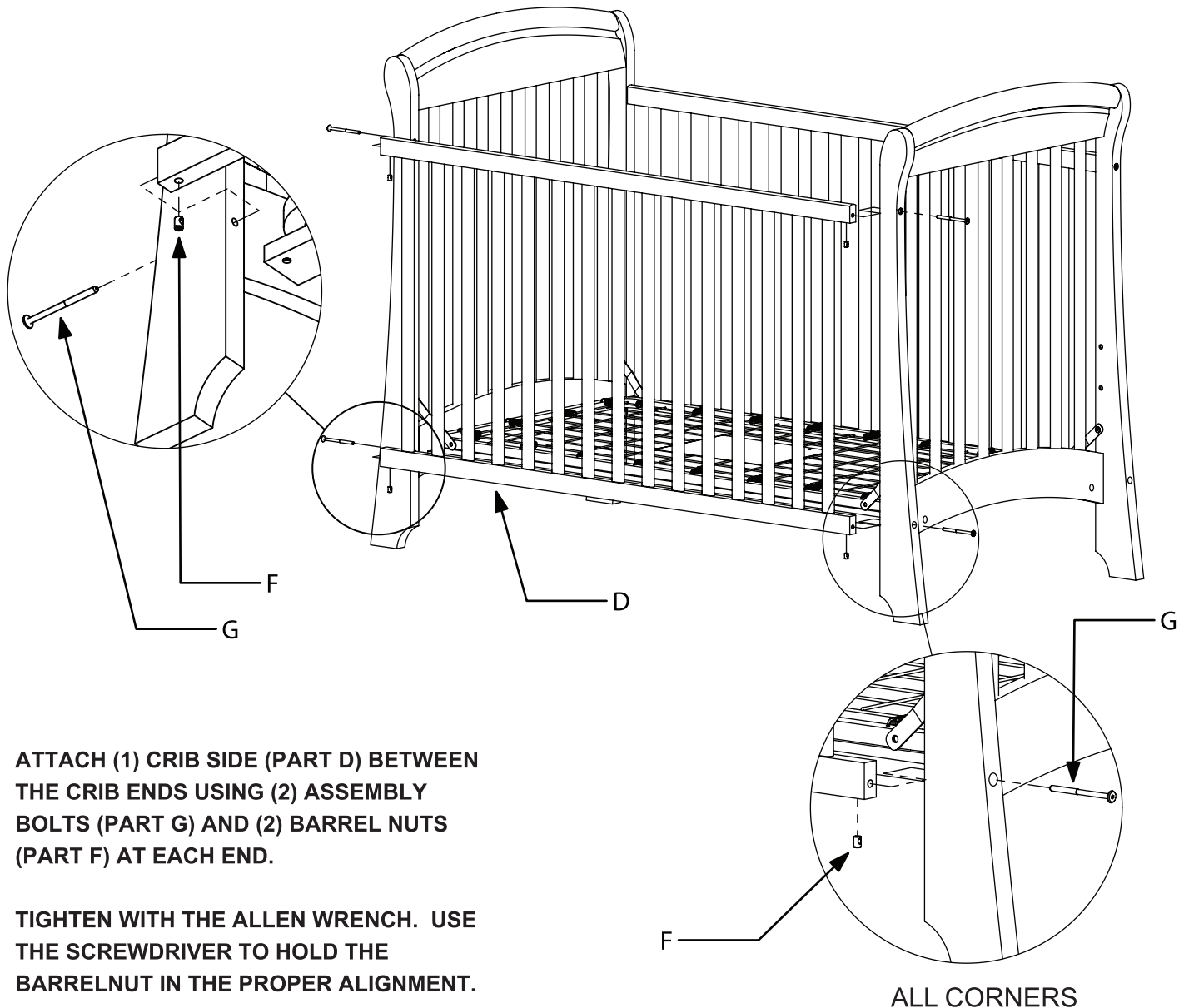
D. CRIB SIDE x 1

G. ASSEMBLY BOLT x 4

M4 ALLEN WRENCH
SUPPLIED



FLAT HEAD SCREWDRIVER
REQUIRED FOR ASSEMBLY
- NOT INCLUDED



ATTACH (1) CRIB SIDE (PART D) BETWEEN
THE CRIB ENDS USING (2) ASSEMBLY
BOLTS (PART G) AND (2) BARREL NUTS
(PART F) AT EACH END.

TIGHTEN WITH THE ALLEN WRENCH. USE
THE SCREWDRIVER TO HOLD THE
BARRELNUT IN THE PROPER ALIGNMENT.

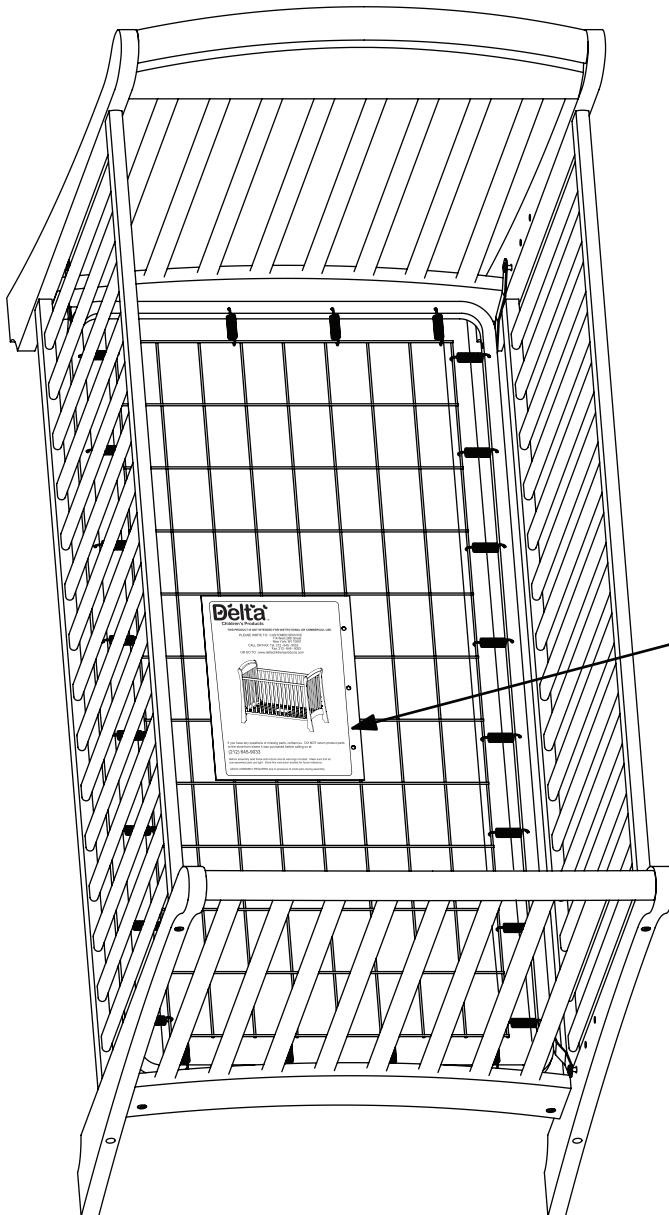
ALL CORNERS

SECTION 1: CRIB ASSEMBLY

STEP 5 PARTS AND TOOLS REQUIRED TO COMPLETE STEP



INSTRUCTION
BOOKLET

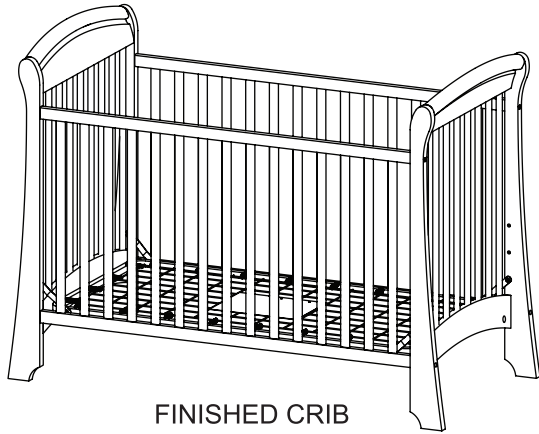


PLACE THE INSTRUCTION
BOOKLET IN THE POUCH
ATTACHED TO THE
MATTRESS SUPPORT.
KEEP ALL INSTRUCTIONS
AND PARTS IN A SAFE
LOCATION.

READ ALL WARNINGS ON
PAGE 2.

SECTION 2: TODDLER BED CONVERSION

STEP 1 PARTS AND TOOLS REQUIRED TO COMPLETE STEP

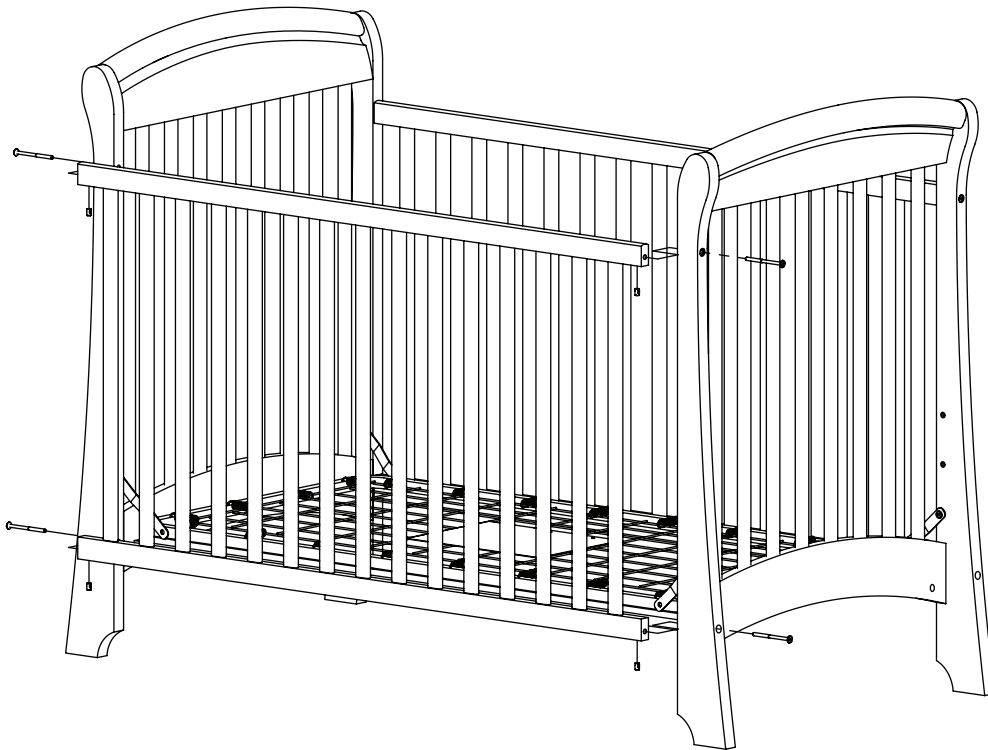


FINISHED CRIB

M4 ALLEN WRENCH
SUPPLIED



⚠ WARNING:
SEE PAGE 3 FOR
TODDLER BED
WARNINGS



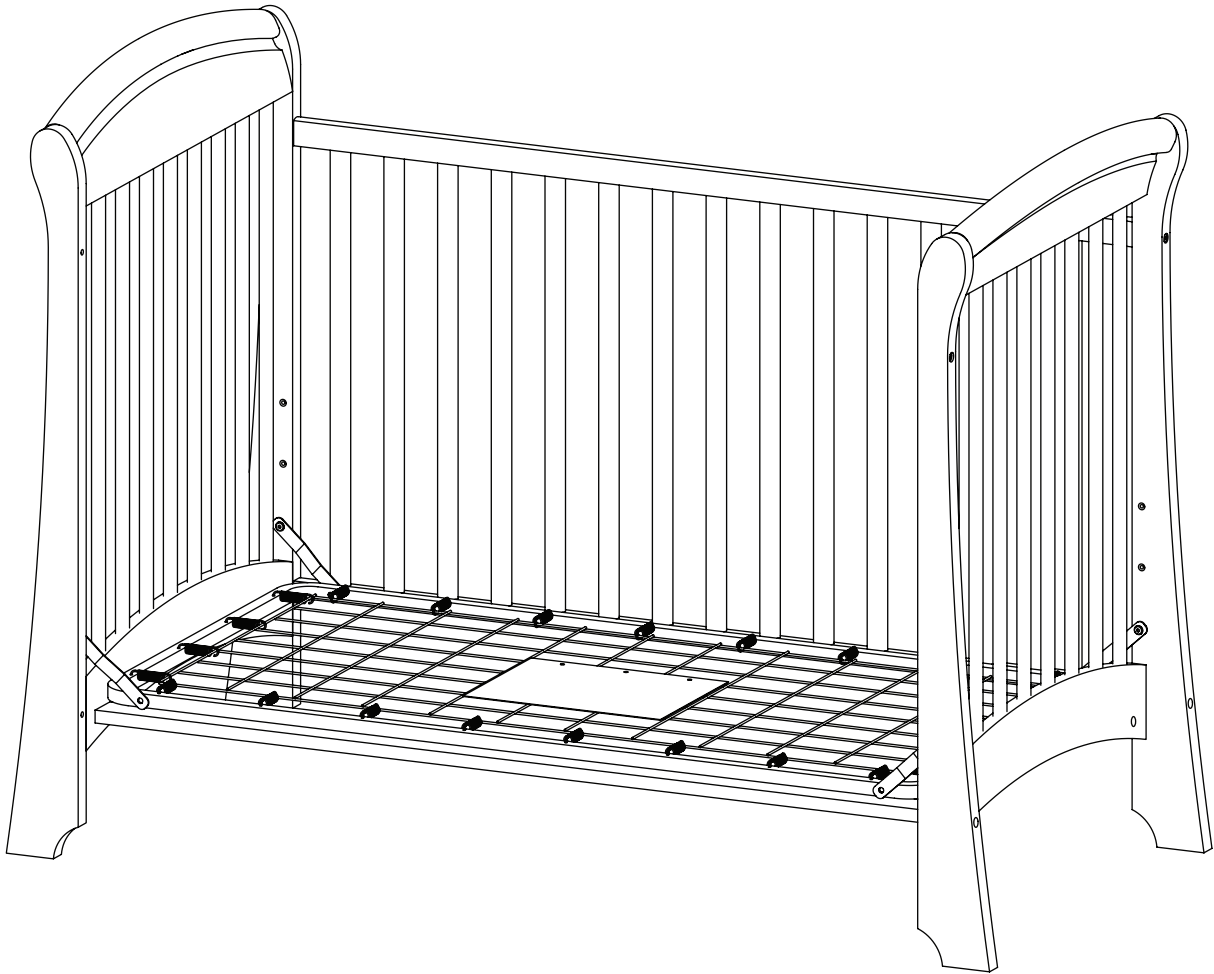
THIS CRIB CAN BE CONVERTED INTO A TODDLER BED. TO DO SO REMOVE THE SIDE INSTALLED IN STEP 4 OF SECTION 1 CRIB ASSEMBLY. REMOVE ONLY ONE SIDE.

THE MATTRESS SUPPORT MUST BE IN THE LOWEST POSITION. STORE ALL HARDWARE SAFELY.

READ ALL WARNINGS ON PAGE 3

IF THIS UNIT WAS NOT ASSEMBLED AS A CRIB FOLLOW STEPS 1-3 IN SECTION 1 CRIB ASSEMBLY. THE MATTRESS SUPPORT MUST BE IN THE LOWEST POSITION.

STEP 2 SECTION 2: TODDLER BED CONVERSION



THE FINISHED TODDLER BED CAN ALSO BE USED AS A LOVESEAT SOFA.



Children's Products

Customer Service:

Web Site: www.deltachildrenproducts.com

Delta Children's Products

114 West 26th Street

New York, NY 10001

Tele.212-645-9033

Warranty: This Delta Crib is warranted to be free from defects for a period of 1 year from the date of purchase under normal use. This warranty extends only to the original retail purchaser and is valid only when supplied with proof of purchase, or if received as a gift, when the registration is on file with Delta.

To register your product for important safety alerts and updates to your product please visit <http://deltaenterprise.com/register.asp>

Please do not return this item to the store before contacting us about missing parts or with any questions.

In the event that you need to contact our customer service department please have the model number and manufacturers code available. To report a problem, please log on to

www.deltachildrenproducts.com and click the Customer Service Tab, or log on to

www.deltaenterprise.com/customer_service.asp, or contact us by phone at (212) 645-9033.

Use the space below to make note of those numbers.

Model Number: _____

Manufacturer's Code: _____

Date of Purchase: _____ (you should also keep your receipt)