

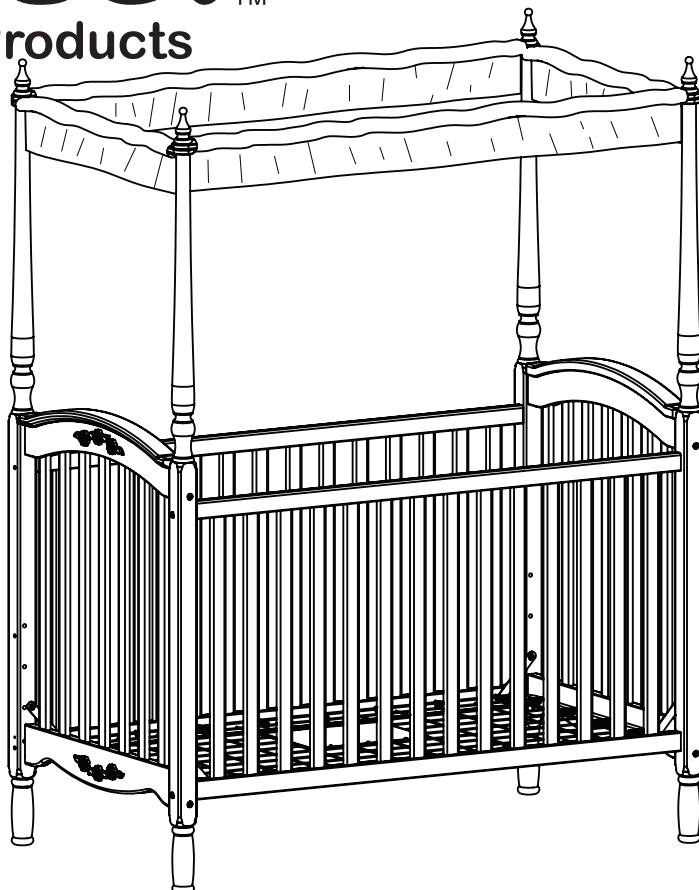
Delta™

Children's Products

Read all instructions before assembly and use.
KEEP INSTRUCTIONS FOR FUTURE USE.

▲ ADULT ASSEMBLY REQUIRED

Due to the presence of small parts during assembly, keep out of reach of children until assembly is complete.



THIS PRODUCT IS NOT INTENDED FOR INSTITUTIONAL OR COMMERCIAL USE.

Consumer Care:
www.DeltaChildren.com

Delta Children's Products
114 West 26th Street
New York, NY 10001
Tele. 212-645-9033

Style #: _____
Lot: _____
Date: _____



When contacting Delta Consumer Care you will need to reference the above numbers. They can also be found on the label on the Crib End Bottom Rail

To register your product for important safety alerts and updates to your product please visit www.DeltaChildren.com and click on Product Registration.

⚠️ CAUTION:

ANY MATTRESS USED IN THIS CRIB SHALL BE AT LEAST 27 1/4 BY 51 5/8 IN. WITH A THICKNESS NOT EXCEEDING 6 IN.

⚠️ WARNING:

*Infants can suffocate on soft bedding. Never add a pillow or comforter. Never place additional padding under an infant.

*Failure to follow these warnings and the assembly instructions could result in serious injury or death. **DO NOT** use this crib if you cannot exactly follow the accompanying instructions.

*To reduce the risk of SIDS, pediatricians recommend healthy infants be placed on their backs to sleep, unless otherwise advised by your physician.

***Strangulation Hazard:** STRINGS CAN CAUSE STRANGULATION! **Do not** place items with a string around a child's neck, such as hood strings or pacifier cords. **Do not** suspend strings over a crib or attach strings to toys.

***Strangulation Hazard:** To help prevent strangulation tighten all fasteners. A child can trap parts of the body or clothing on loose fasteners.

***Strangulation Hazard:** **Do not** place crib near window or patio door where cords from blinds or drapes may strangle a child.

***Fall Hazard:** When child is able to pull to a standing position, set mattress to lowest position and remove bumper pads, large toys and other objects that could serve as steps for climbing out. This crib has an adjustable mattress support. For the convenience of the parent when the baby is very small, the mattress support may be used in the highest position. Important: with the mattress support and mattress in the highest position, be absolutely sure that the top of the front crib side is at least 3 inches higher than the top surface of the mattress. If it is not, lower the mattress support and the mattress to the next highest position.

***Fall Hazard:** Stop using crib when child begins to climb out or reaches a height of 35in. (89cm), whichever occurs first. The child should be placed in a youth or regular bed.

*Check this product for damaged hardware, loose joints, loose bolts or other fasteners, missing parts, or sharp edges before and after assembly and frequently during use. Securely tighten loose bolts and other fasteners. **Do not use crib** if any parts are missing, damaged or broken. Contact Delta Children's Products for replacement parts and instructional literature if needed. Do not substitute parts.

*Follow warnings on **all** products in a crib.

*If refinishing, use a non-toxic finish specified for children's products.

***Never** use plastic shipping bags or other plastic film as mattress covers because they can cause suffocation.

*Infants can suffocate in gaps between crib sides and a mattress that is too small.

*Ensure a safe environment for the child by checking regularly, before placing the child in the crib, that every component is properly and securely in place.

*To avoid head injury, do not allow any child to play underneath the crib.

***Never** add an accessory such as a bassinet or changing table that extends over the sleeping area.

***In Canada Only** - Use a crib mattress that is no thicker than 15 cm and is of such a size that, when it is pushed firmly against any side of the crib, it does not leave a gap of more than 3 cm between the mattress and any part of the sides of the crib. Do not use this crib for a child who can climb out of it or who is taller than 90 cm.

TODDLER BED

⚠️WARNING

INFANTS HAVE DIED IN TODDLER BEDS FROM ENTRAPMENT.

Openings in and between toddler bed parts can entrap head and neck of a small child.
NEVER use toddler bed with children younger than 15 months.
ALWAYS follow assembly instructions.
The maximum user weight is 50lbs (22.7kg)

⚠️WARNING

STRANGULATION HAZARD

NEVER place bed near windows where cords from blinds or drapes may strangle a child.
NEVER suspend strings over a bed.
NEVER place items with a string, cord, or ribbon, such as hood strings or pacifier cords, around a child's neck. These items may catch on bed parts.

⚠️CAUTION

ENTRAPMENT HAZARD

To avoid dangerous gaps, any mattress used in this bed shall be a full-size crib mattress at least 51 5/8 in (1310mm) in length, 27 1/4 in (690mm) in width and 4 in (100mm) in thickness. The mattress thickness must not exceed 6 in (150mm).

NOTES ON ASSEMBLY:

- During the assembly process whenever using screws or bolts, check each by placing the screw/bolt on the diagram of the item which is drawn actual size and design. Be sure to use the proper size and shape specified in the instructions.
- To assemble this unit you may be required to place the unit on it's side and face. It is strongly recommended that assembly is done on a soft, non-abrasive surface to avoid damaging the finish.

NOTES ON USE:

Keep children and others safe by following these simple rules:

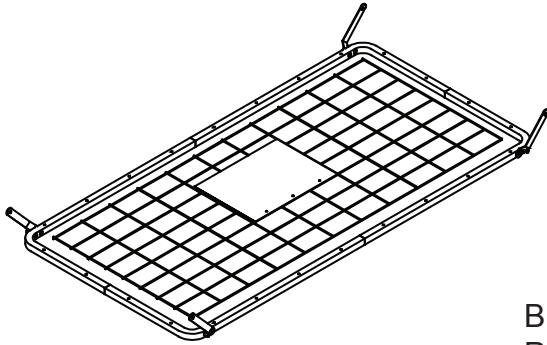
- **Do not** allow any child to play on furniture
- **Do not** allow climbing on any piece of furniture.
- **Do not** allow hanging from any piece of furniture.
- Always monitor your child's activity when in the nursery.

NOTES ON CARE AND MAINTENANCE:

- **Do not** scratch or chip the finish.
- Inspect the product periodically, contact delta children's products for replacement parts or questions.
- **Do not** store the product or any parts in extreme temperatures and conditions such as a hot attic or a damp, cold basement. These extremes can cause a loss of structural integrity.
- To preserve the luster of the high quality finish on your product, it is recommended to place a doily or felt pad under any items you place on the finish.
- Clean with a damp cloth, then a dry cloth to preserve the original luster and beauty of this fine finish.
- Do not** use abrasive chemicals.
- Do not** spray cleaners directly onto furniture.
- Lift slightly when moving on carpeting to prevent leg breakage.
- Use of a vaporizer near furniture will cause wood to swell and finish to peel.

PARTS: MAKE SURE THAT ALL PRE-ASSEMBLED PARTS ARE TIGHT.

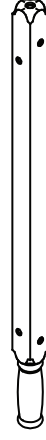
POUCH ATTACHED TO MATTRESS SUPPORT
 - KEEP INSTRUCTIONS IN THIS POUCH
 AFTER ASSEMBLY
 WARNINGS RELATED TO THE SAFE USE OF
 THIS CRIB ARE PRINTED ON THE POUCH



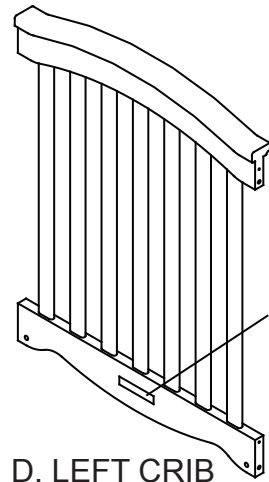
A. MATTRESS SUPPORT
PART # 21149



B. LEFT CRIB
POST X2
PART # 21547

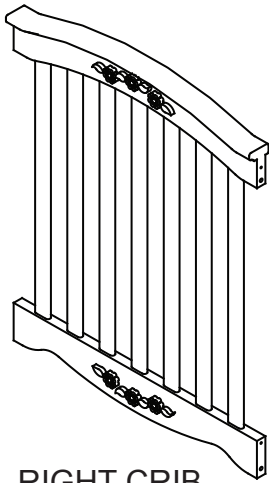


C. RIGHT CRIB
POST X2
PART #21548

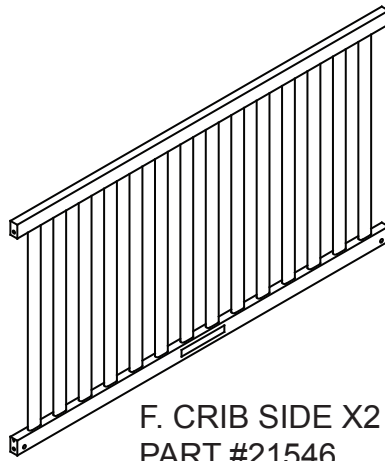


D. LEFT CRIB
END X1
PART # 21545

PRODUCT
ID LABEL



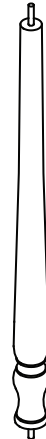
E. RIGHT CRIB
END X1
PART #21545



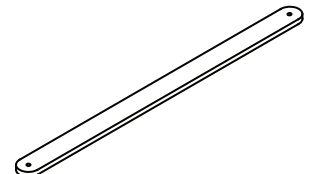
F. CRIB SIDE X2
PART #21546



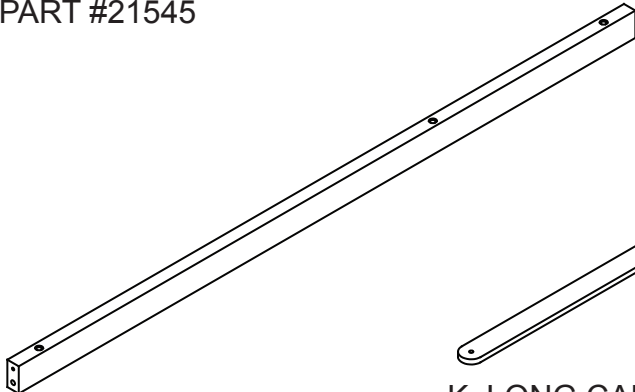
H. FINIAL x4
PART # 21552



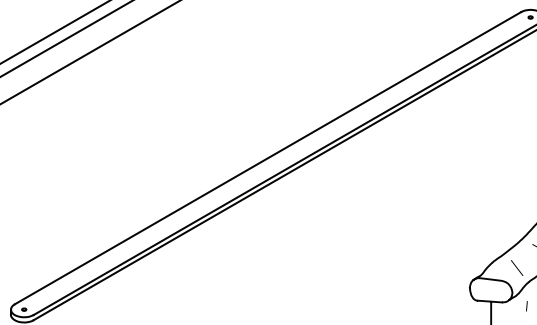
G. CANOPY
POST x4



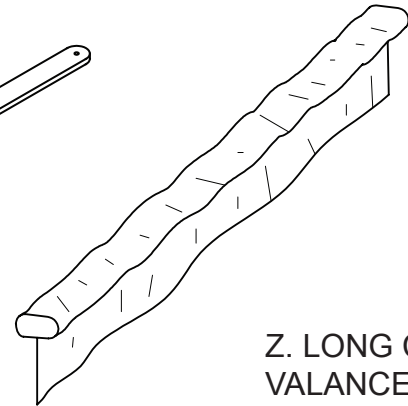
L. SHORT CANOPY
RAIL x4
PART # 21551



M. STABILIZER BAR x1
PART # 21553
STORE IN A SAFE PLACE
WHEN NOT IN USE.

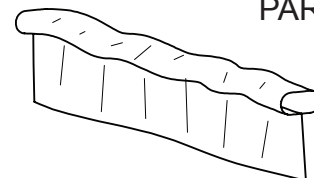


K. LONG CANOPY
RAIL X2
PART # 21550



Z. LONG CANOPY
VALANCE X2

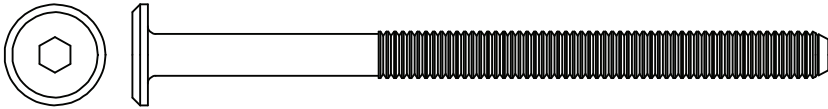
VALANCE KIT
PART #21556



Y. SHORT CANOPY
VALANCE X2

PARTS: HARDWARE AND TOOLS

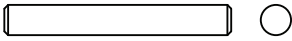
HARDWARE KIT IS PART # 21555 FOR COLOR 100. SEE FRONT COVER.



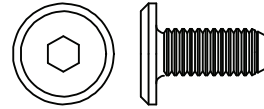
P. LONG CRIB BOLT 90mm x16



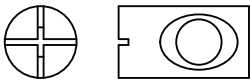
R. CONVERSION BOLT 40mm x2



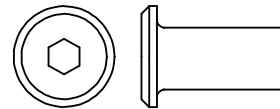
S. METAL DOWEL x12



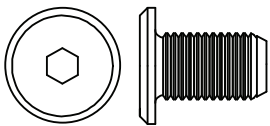
T. MATTRESS SUPPORT BOLT x 4



V. BARREL NUT X16

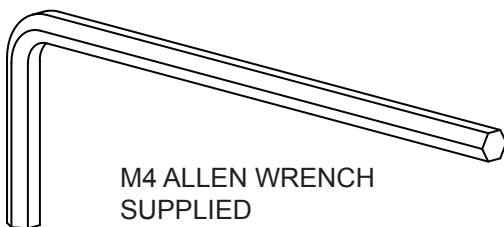


W. CAP NUT x2

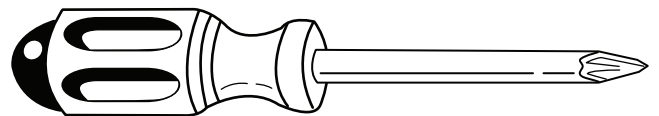


X. POST TOP BOLT - STORE IN A SAFE PLACE X4

ALL HARDWARE ON THIS PAGE IS SHOWN FULL SIZE AND WITH THE CORRECT DESIGN. THE PARTS CAN BE MATCHED TO THE PICTURES.



M4 ALLEN WRENCH
SUPPLIED

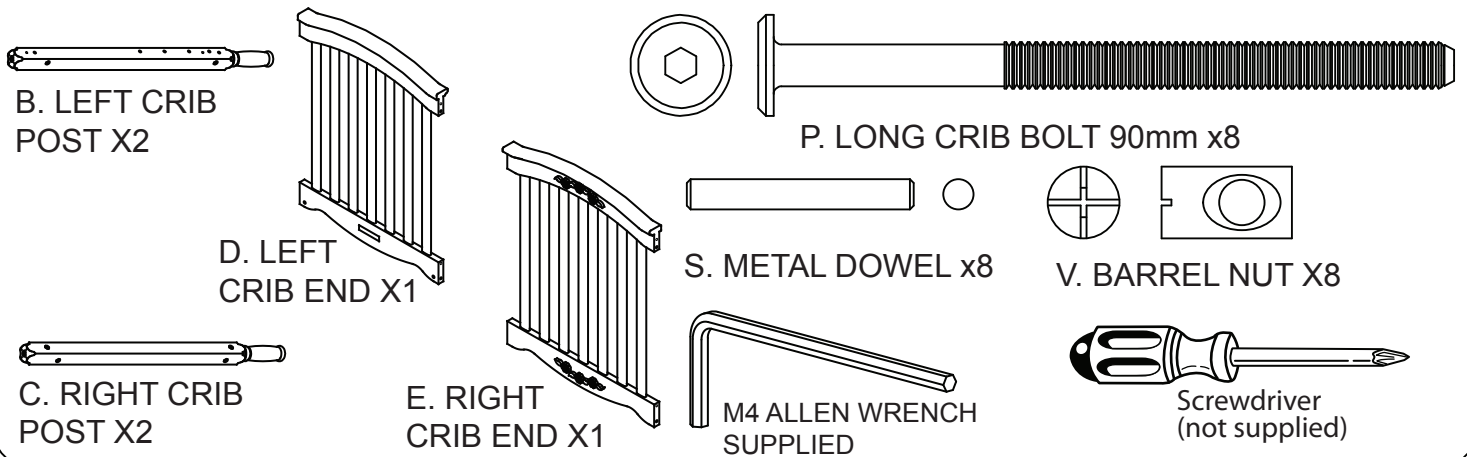


Screwdriver
(not supplied)

SECTION 1: CRIB ASSEMBLY

STEP 1

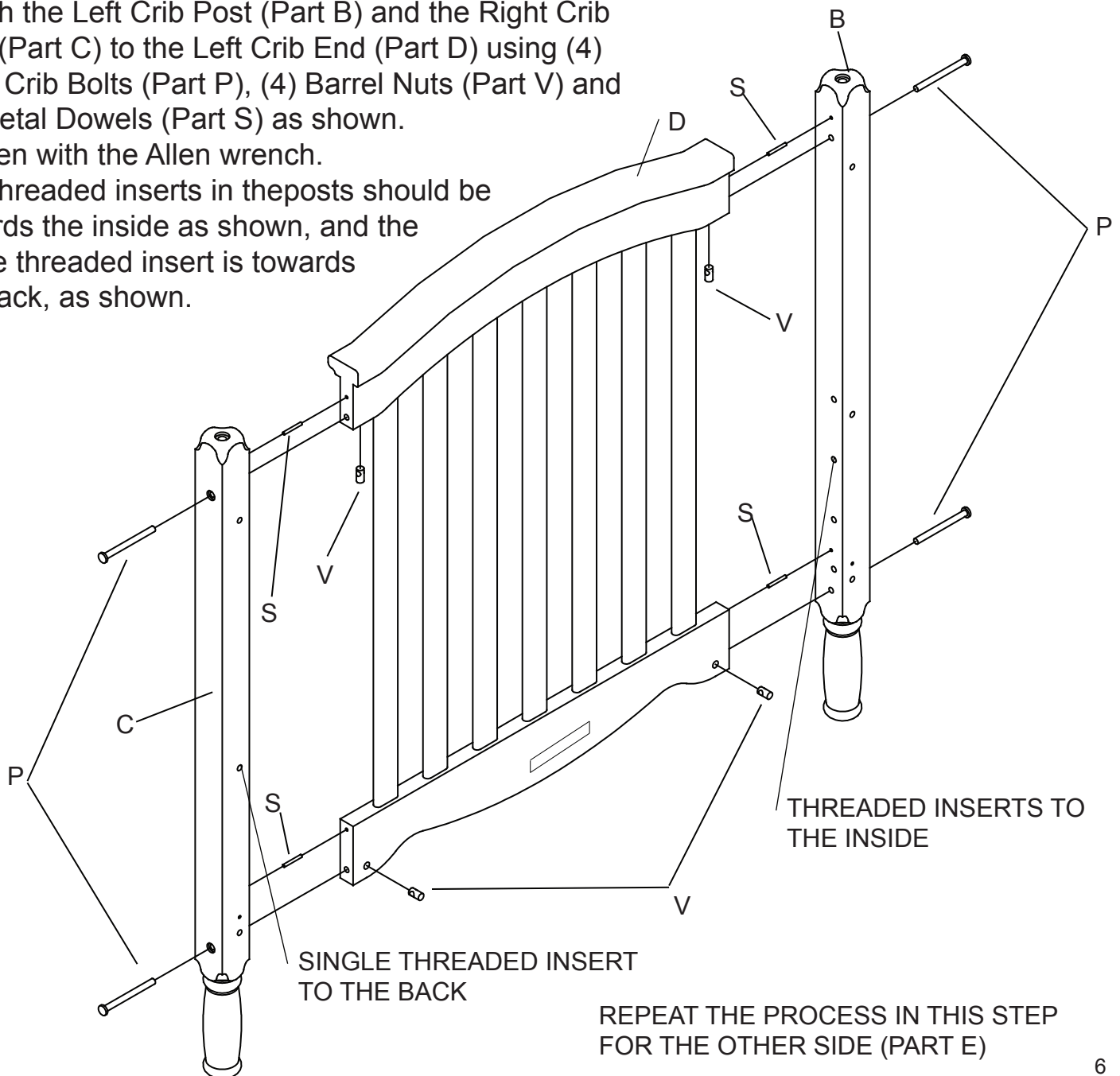
PARTS AND TOOLS REQUIRED TO COMPLETE STEP



Attach the Left Crib Post (Part B) and the Right Crib Post (Part C) to the Left Crib End (Part D) using (4) Long Crib Bolts (Part P), (4) Barrel Nuts (Part V) and (4) Metal Dowels (Part S) as shown.

Tighten with the Allen wrench.

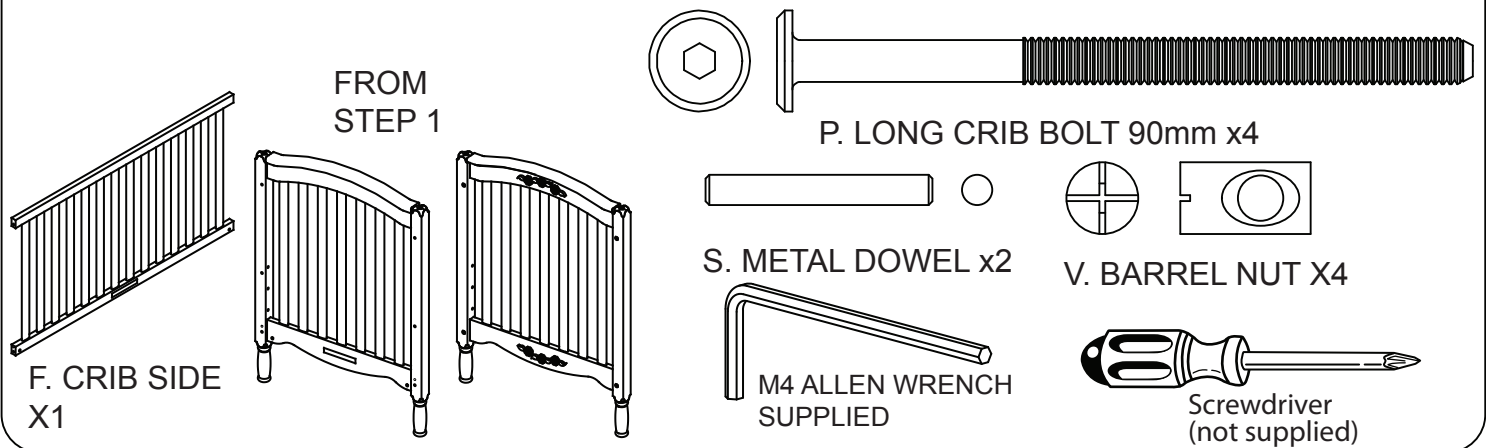
The threaded inserts in the posts should be towards the inside as shown, and the single threaded insert is towards the back, as shown.



SECTION 1: CRIB ASSEMBLY

STEP 2

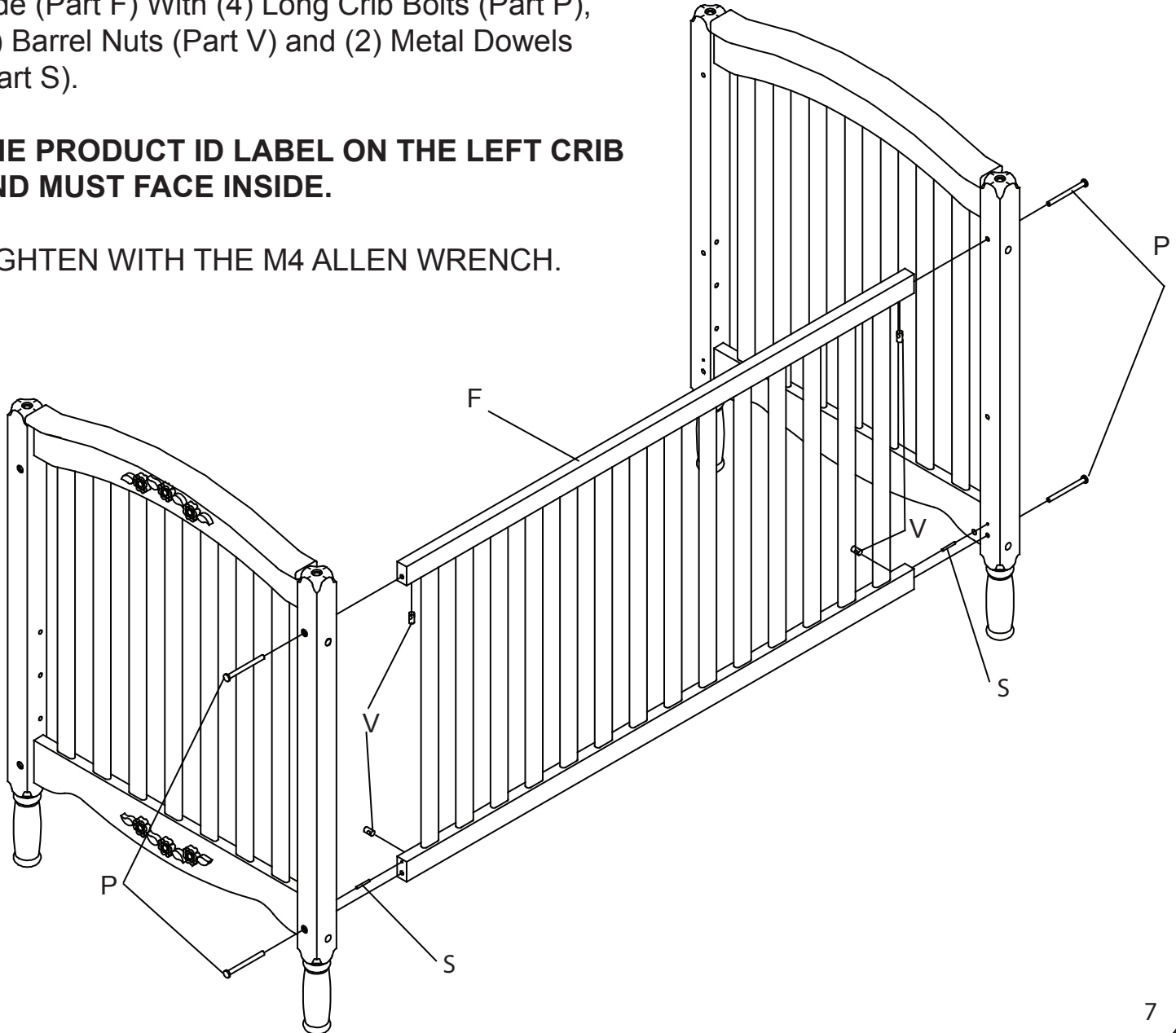
PARTS AND TOOLS REQUIRED TO COMPLETE STEP



Attach the Left Crib Side (From Step 1) and the Right Side Crib (From Step 1) to the (1) Crib Side (Part F) With (4) Long Crib Bolts (Part P), (4) Barrel Nuts (Part V) and (2) Metal Dowels (Part S).

THE PRODUCT ID LABEL ON THE LEFT CRIB END MUST FACE INSIDE.

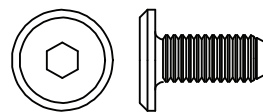
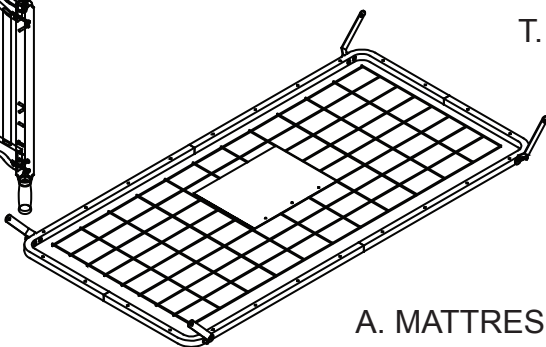
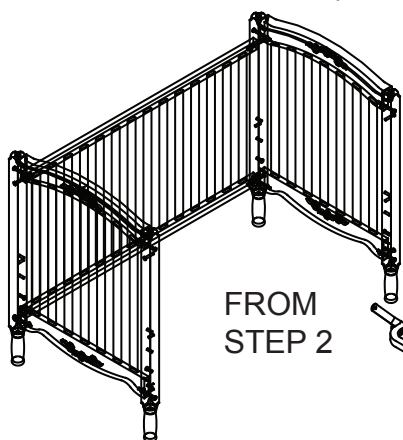
TIGHTEN WITH THE M4 ALLEN WRENCH.



SECTION 1: CRIB ASSEMBLY

STEP 3

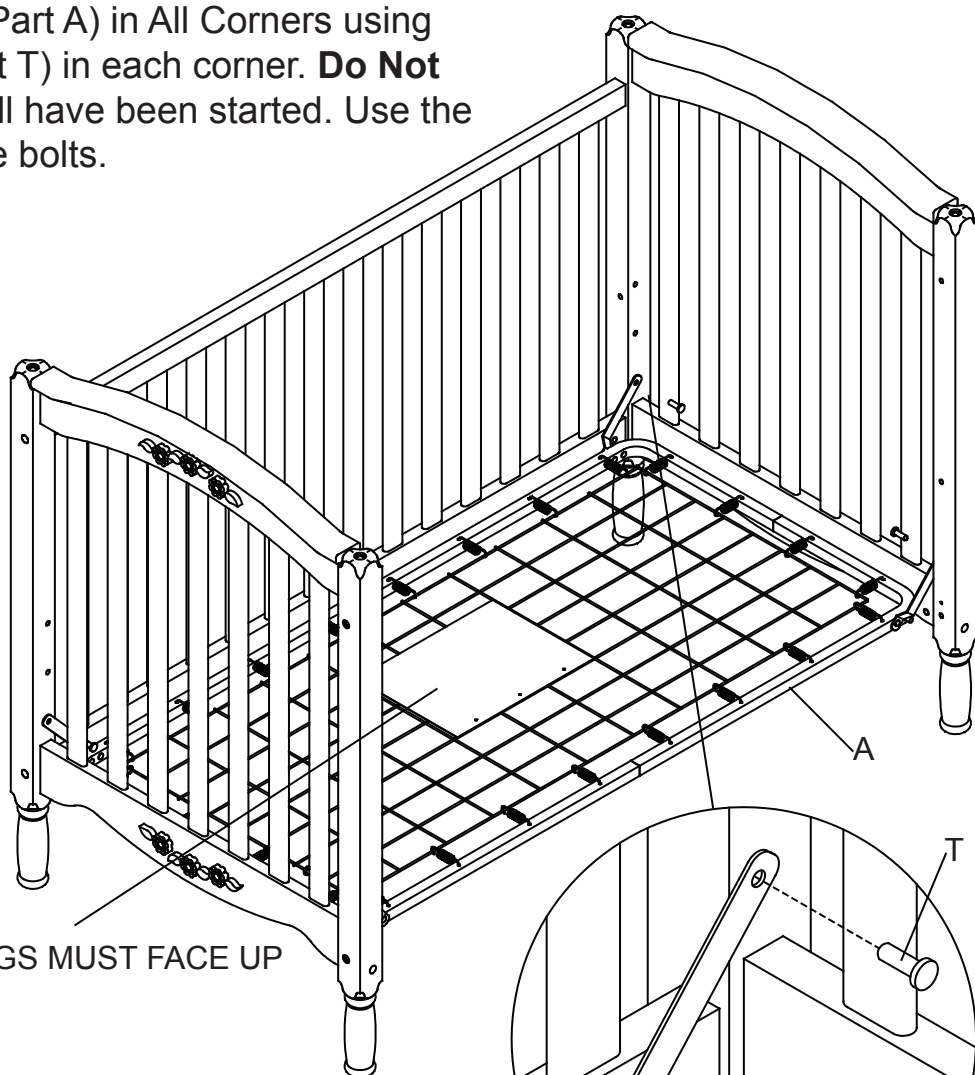
PARTS AND TOOLS REQUIRED TO COMPLETE STEP



Attach the Mattress Support (Part A) in All Corners using (1) Mattress Support Bolt (Part T) in each corner. **Do Not** Tighten any of the bolts until all have been started. Use the M4 Allen Wrench to tighten the bolts.

The WARNINGS printed on the Pouch attached to the Mattress Support Must Face Up, the Springs Must Face Up.

This Crib has (3) Adjustment Positions, Use the highest only for newborns, move the mattress down as the child grows.



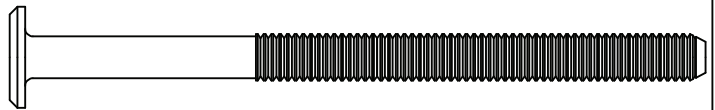
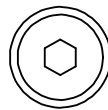
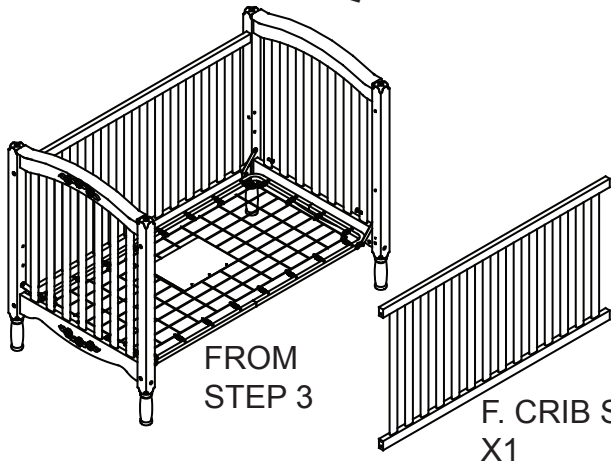
WARNING:

FALL HAZARD: When child is able to pull to a standing position, set mattress to lowest position and remove bumper pads, large toys and other objects that could serve as steps for climbing out.

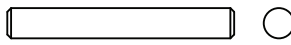
SECTION 1: CRIB ASSEMBLY

STEP 4

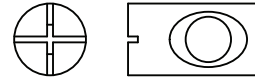
PARTS AND TOOLS REQUIRED TO COMPLETE STEP



P. LONG CRIB BOLT 90mm x4



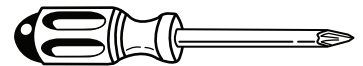
S. METAL DOWEL x2



V. BARREL NUT X4



M4 ALLEN WRENCH
SUPPLIED



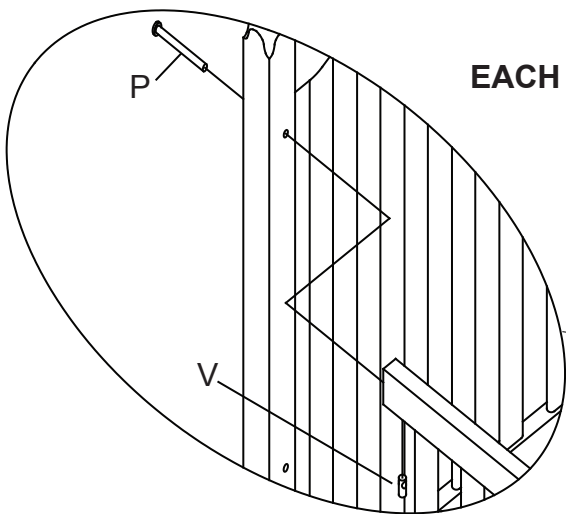
Screwdriver
(not supplied)

Attach the (1) Crib Side (Part F) to the Assembly From Step 3 using (2) Long Crib Bolts (Part P), (2) Barrel Nuts (Part V) and (1) Metal Dowel (Part S) for each side. Tighten with the M4 Allen Wrench.

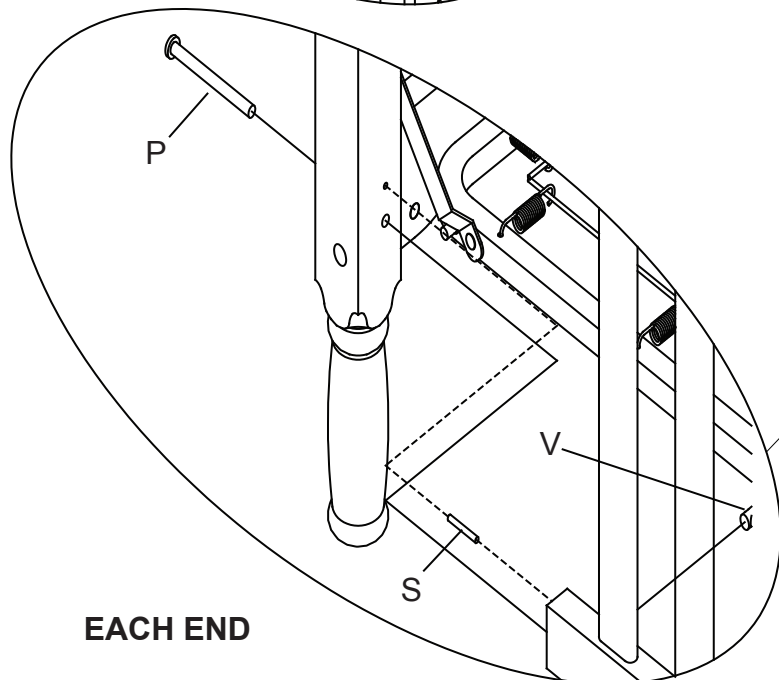
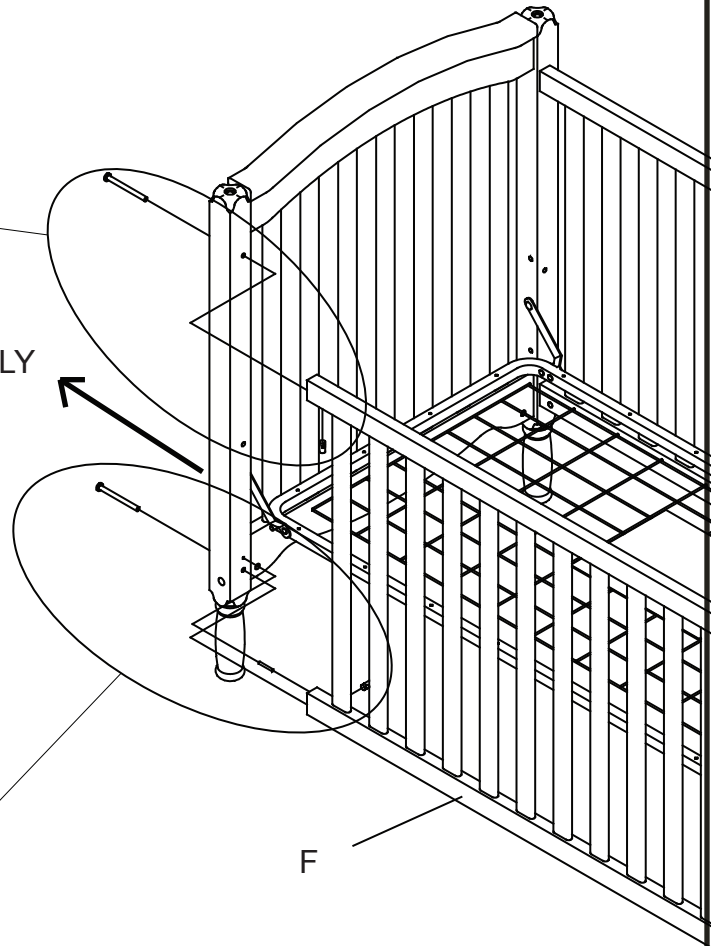
NOTE: ONLY THE LEFT END IS SHOWN BELOW.

EACH END

YOU MUST COMPLETE STEPS 5-7 OR STEP 8



PULL
GENTLY



EACH END

SECTION 1: CRIB ASSEMBLY

STEP 5

PARTS AND TOOLS REQUIRED TO COMPLETE STEP



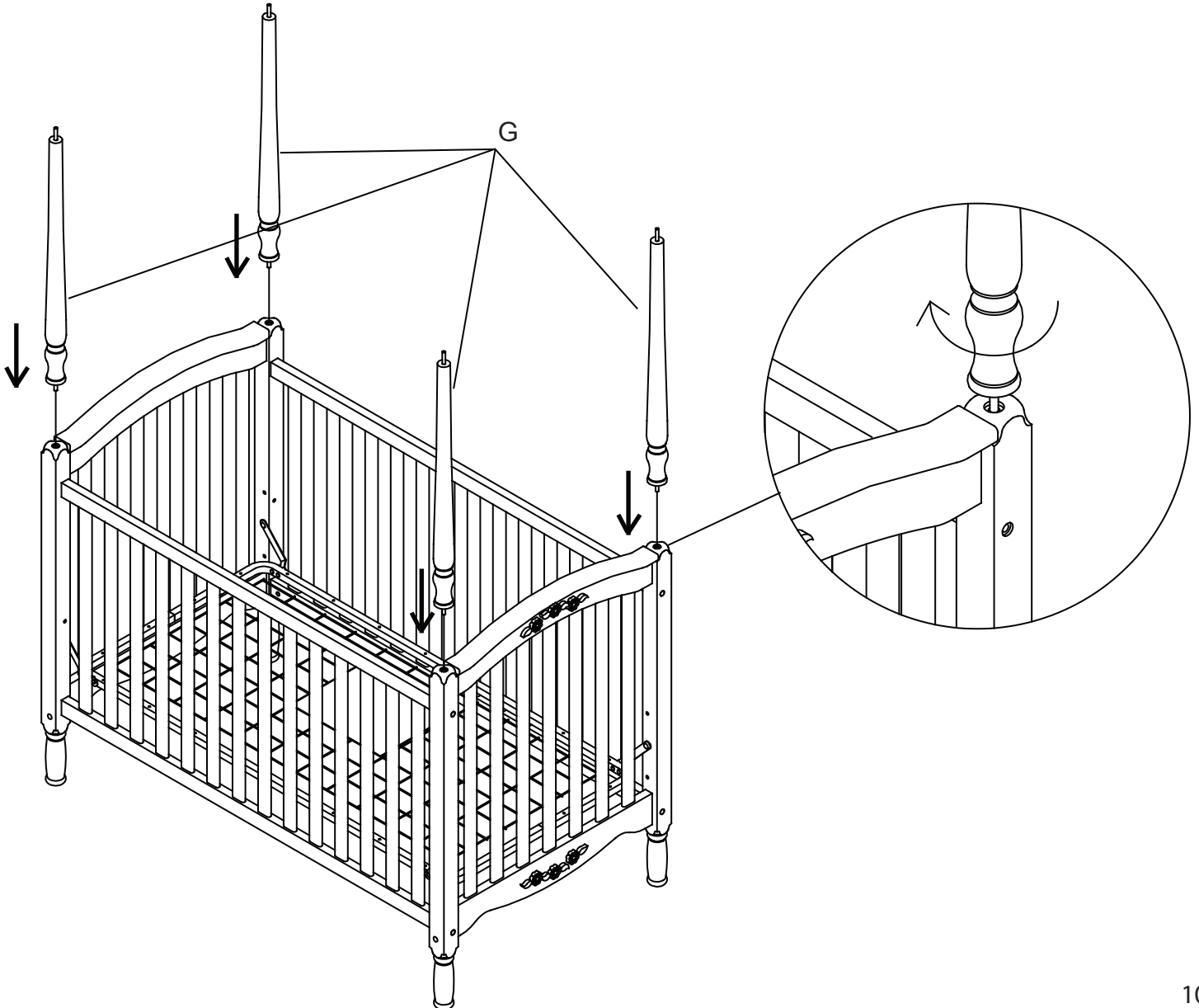
FROM
STEP 4



G. CANOPY
POST x4

Insert (4) CANOPY POST (PART G) into the post. Tighten the posts by turning clockwise. Hand tighten only. **DO NOT** use tools.

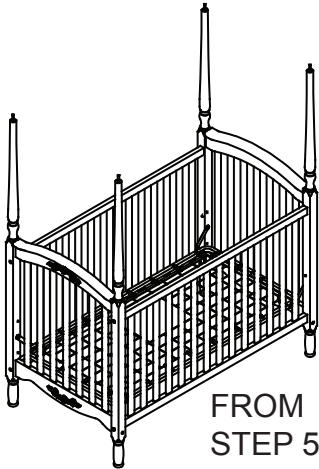
IF YOU DO NOT WISH TO INSTALL THE CANOPY, PLEASE PROCEED TO STEP 8.



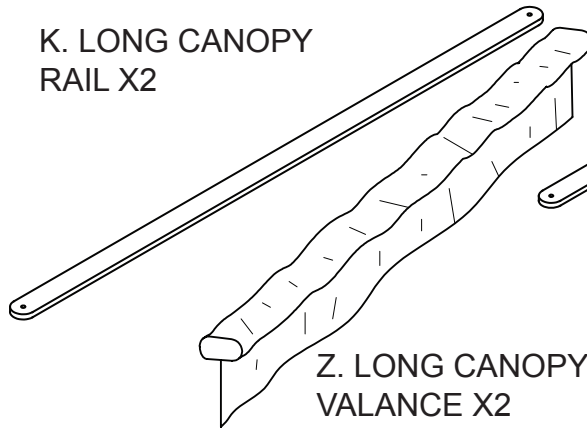
SECTION 1: CRIB ASSEMBLY

STEP 6

PARTS AND TOOLS REQUIRED TO COMPLETE STEP

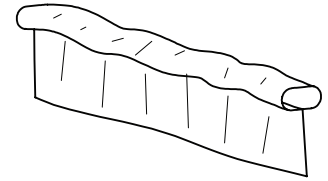


K. LONG CANOPY RAIL X2



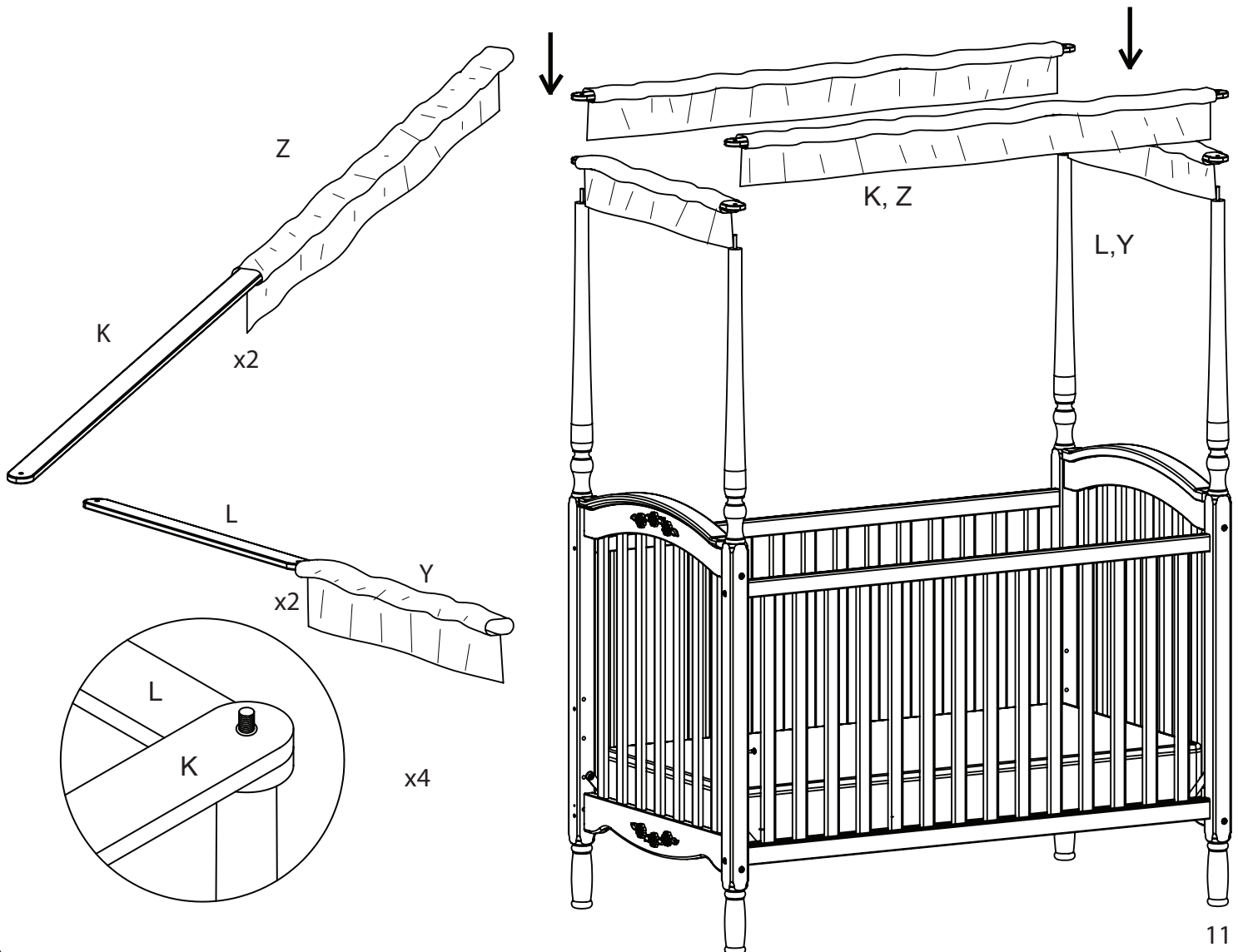
Z. LONG CANOPY VALANCE X2

L. SHORT CANOPY RAIL x4



Y. SHORT CANOPY VALANCE X2

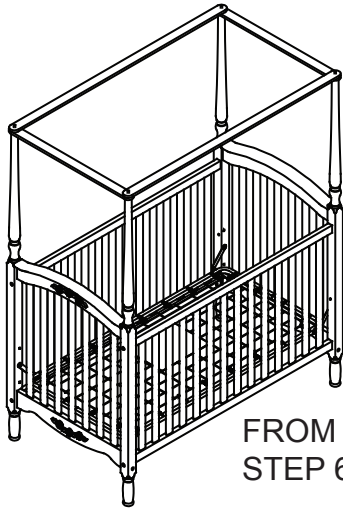
Insert the Long Canopy Rail (Part K) into the Long Canopy Valance (Part Z), repeat. Insert the Short Canopy Rail (Part L) into the Short Canopy Valance (Part Y), repeat. Insert (2) Short Canopy Rails (Part L) onto the Canopy Post of crib end side. Insert (2) Long Canopy Rail (Part K) onto the Canopy Post of crib front & back part.



SECTION 1: CRIB ASSEMBLY

STEP 7

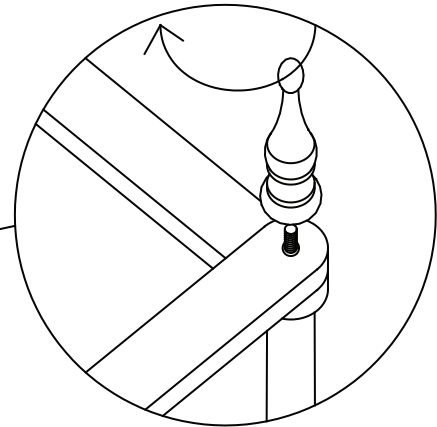
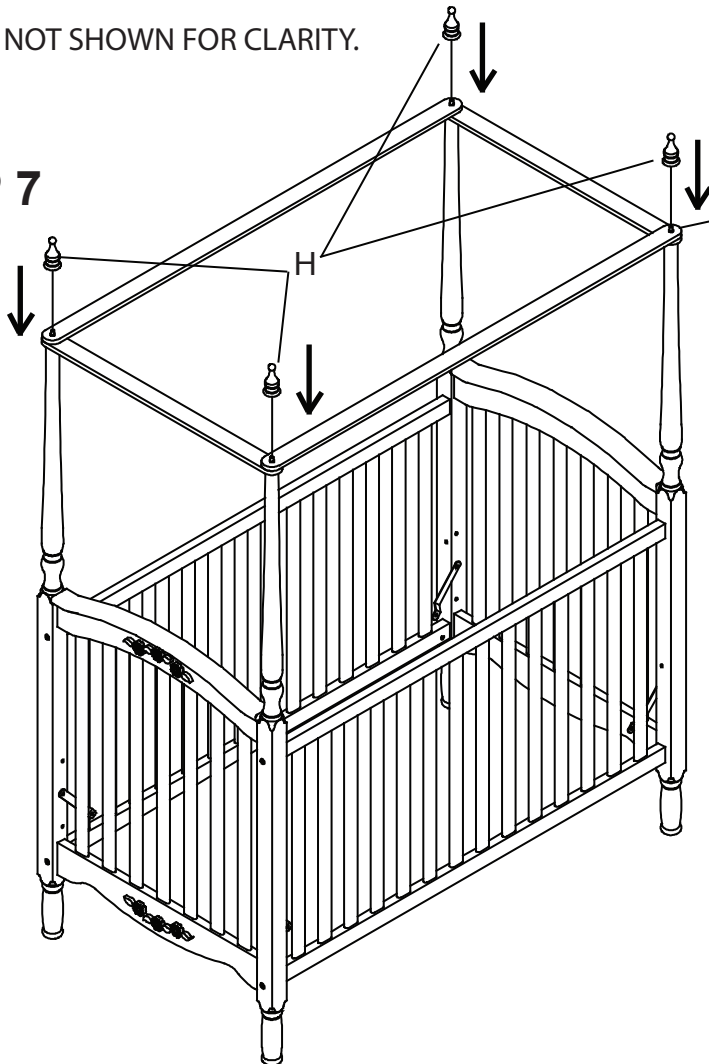
PARTS AND TOOLS REQUIRED TO COMPLETE STEP



Insert (4) Finial (Part H) onto the top canopy posts. Tighten the finials by turning clockwise. Hand tighten only. **DON NOT** use tools.

VALANCES NOT SHOWN FOR CLARITY.

STEP 7



**STORE ALL UNUSED
HARDWARE IN A SAFE
PLACE, OUT OF THE
REACH OF CHILDREN.**

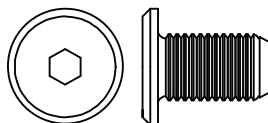
SECTION 1: CRIB ASSEMBLY

STEP 8

PARTS AND TOOLS REQUIRED TO COMPLETE STEP



FROM
STEP 4



W. POST TOP BOLT - STORE IN
THE SAFE PLACE X4



M4 ALLEN WRENCH
SUPPLIED

Insert (4) Post Top Bolt (Part W) into the top of each post. Tighten with the M4 Allen Wrench.

If you installed the canopy, skip this step. Store unused parts in a safe place.



SECTION 2: TODDLER BED CONVERSION

STEP 1

⚠️ WARNING: SEE PAGE 3 FOR TODDLER BED WARNINGS

This crib can be converted into a toddler bed. To do so follow the Steps below.

The mattress support must be in the lowest position.

Store all hardware safely, out of reach of children. See page 3 for notes on storage of the parts not in use.

Read all warnings on page 3

If this unit was not assembled as a crib follow steps 1, 2, 3 in section 1 crib assembly and steps 2, 3 of section 2.

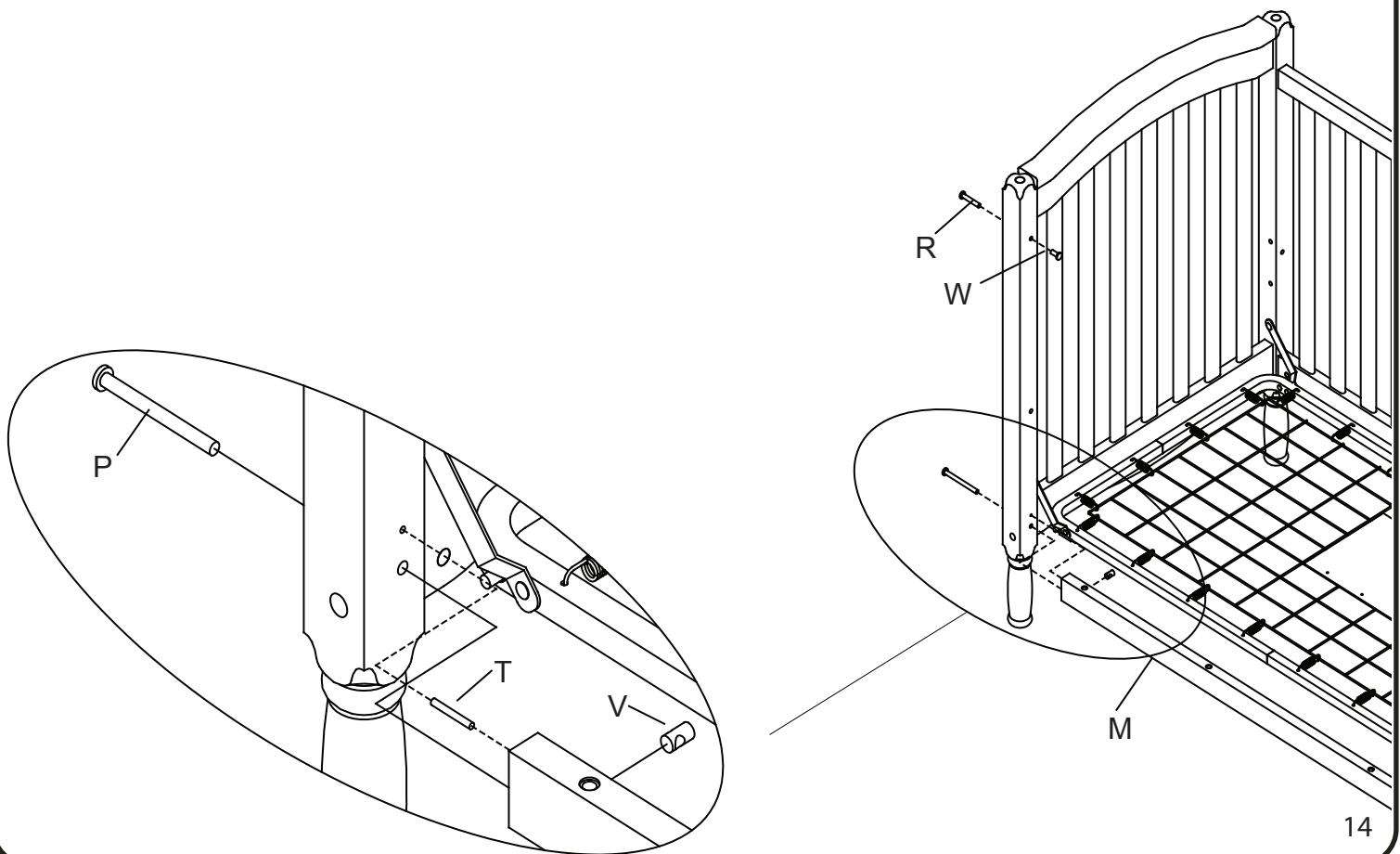
1. If installed, remove the canopy posts and canopy rails as installed in step 5, 6, 7; remove the side installed in step 4, by reversing those steps. These are shown removed below.

The hardware should be set aside, it will be used in step 5 of this process.

2. Attach the Stabilizer Bar (Part M) to the assembly from step 3 in section 1 crib assembly, using (1) Long Crib Bolts (Part P), (1) Barrel Nuts (Part V) and (1) Metal Dowels (Part S) for each side. Tighten with the M4 Allen Wrench.

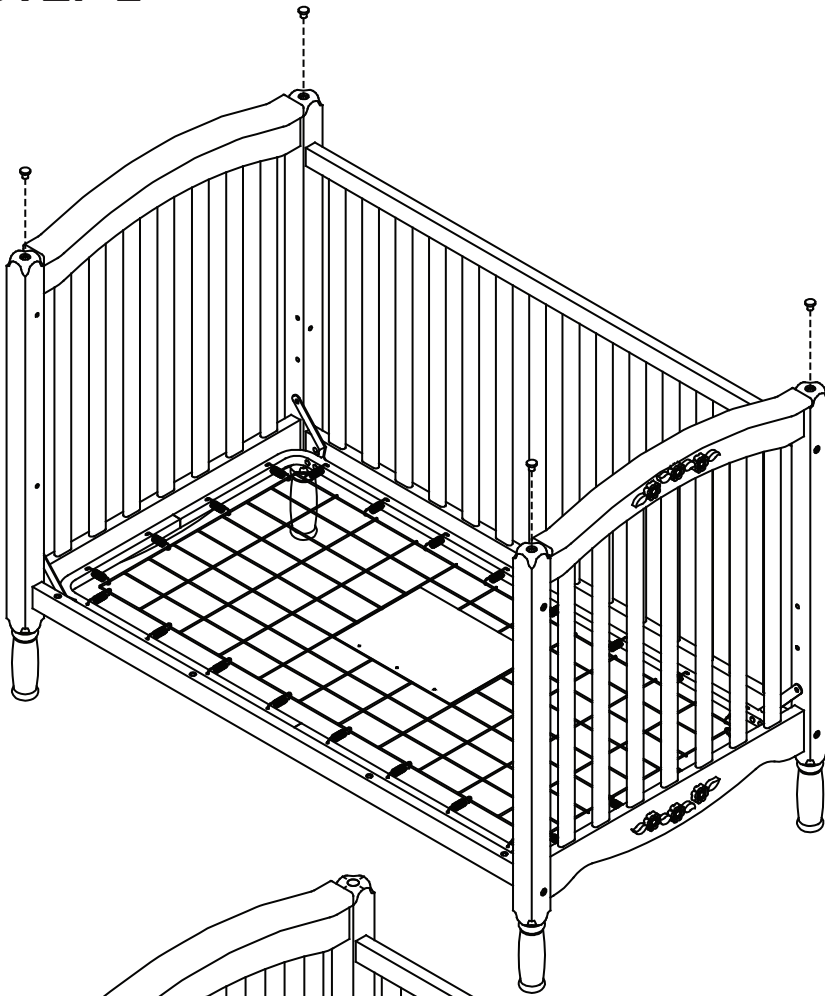
3. Install (1) Cap Nut (Part W) with (1) Conversion Bolt (Part R) in the top hole in each post.

NOTE: ONLY THE LEFT END IS SHOWN BELOW.



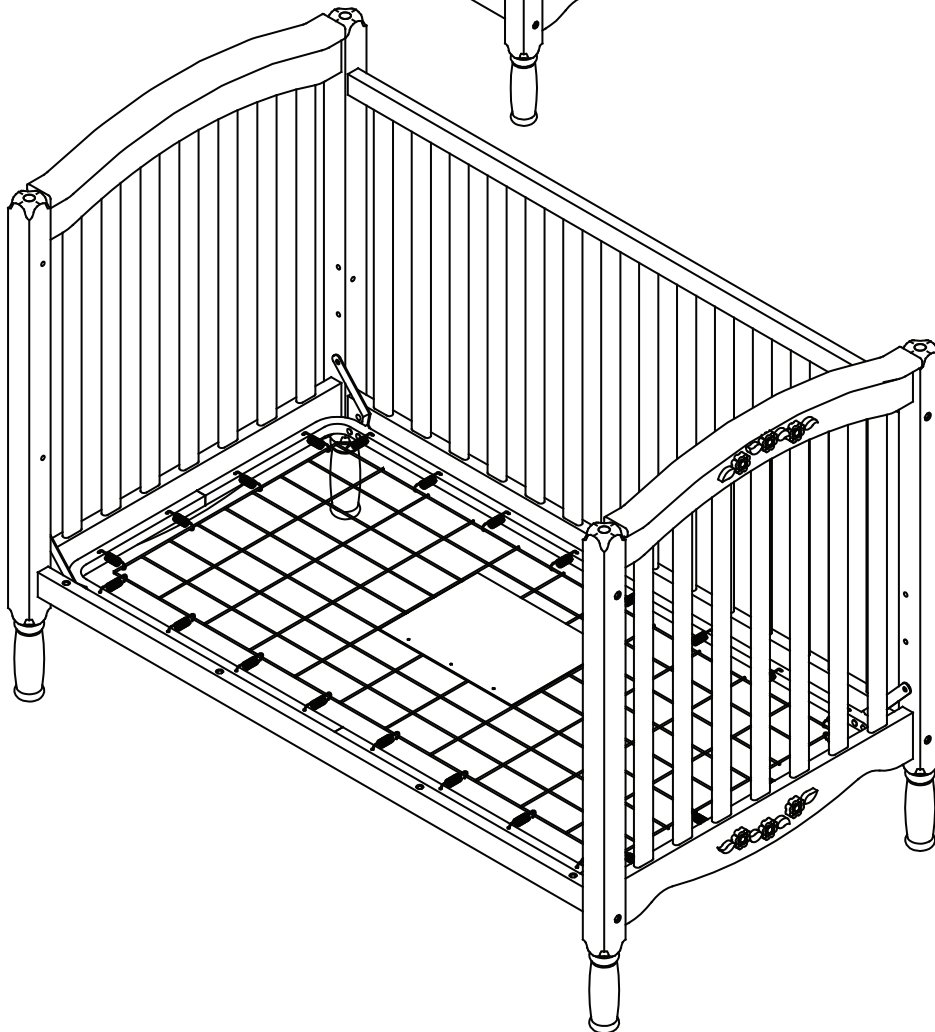
SECTION 2: TODDLER BED CONVERSION

STEP 2



Insert (4) Post Top Bolt s(Part W) Into The Top of each Post. Tighten With The M4 Allen Wrench. This may have been done in Step 8 of Section 1.

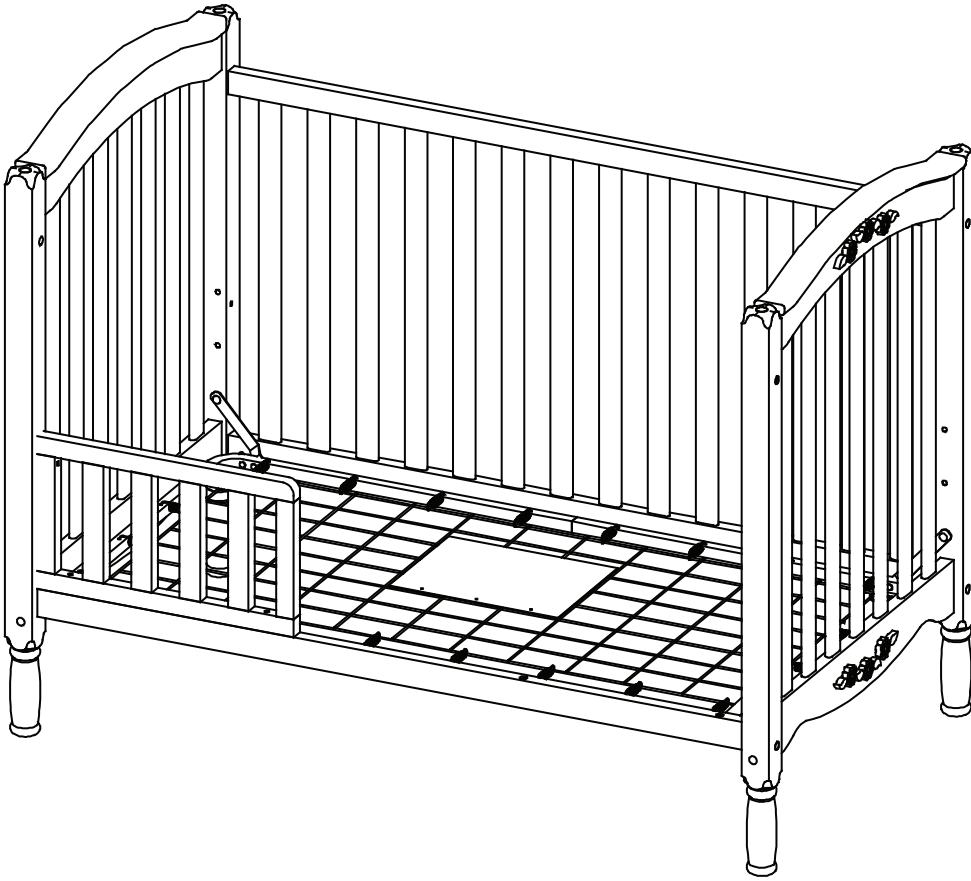
!/\ THE POST TOP NUTS MUST BE INSTALLED.



THE MATTRESS SUPPORT MUST BE IN THE LOWEST POSITION.

SECTION 2: TODDLER BED CONVERSION

STEP 3



A TODDLER BED GUARD RAIL CAN BE PURCHASED FOR THIS CRIB, PLEASE SEE RETAIL STORE OR CONTACT DELTA CHILDREN'S PRODUCTS.

This page is intentional blank.

DeltaTM

Children's Products

Consumer Care:

www.deltachildrensproducts.com

Delta Children's Products

114 West 26th Street

New York, NY 10001

Tele.212-645-9033

Warranty: This Delta Crib is warranted to be free from defects for a period of 1 year from the date of purchase under normal use. This warranty extends only to the original retail purchaser and is valid only when supplied with proof of purchase, or if received as a gift, when the registration is on file with Delta.

To register your product for important safety alerts and updates to your product please visit www.DeltaChildren.com

Please do not return this item to the store before contacting us about missing parts or with any questions.

To report a problem, please log on to www.DeltaChildren.com and click the Consumer Care Tab, or contact us by phone at (212) 645-9033.

In the event that you need to contact our customer service department please have the Style Number and Lot Number available. Use the space below to make note of those numbers. They can be found on the label on the Crib End bottom rail.

Style No.: _____

Lot No. : _____

Pack Date: _____

Date of Purchase: _____ (you should also keep your receipt)