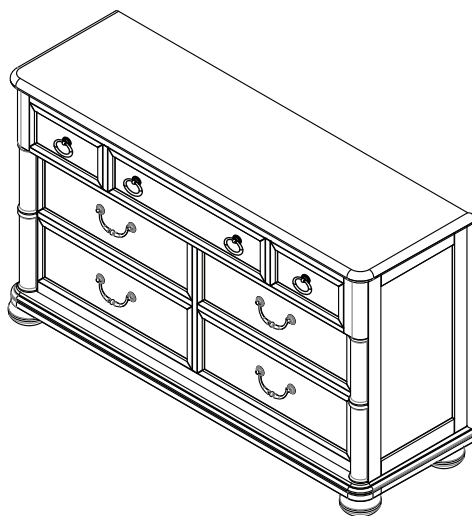
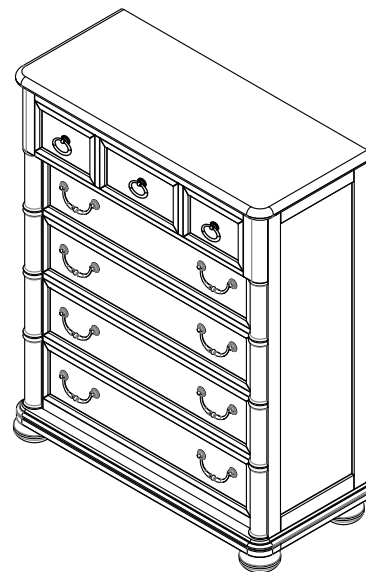


INSTRUCTIONS



#315030 Double
Dresser



#315040 Chest

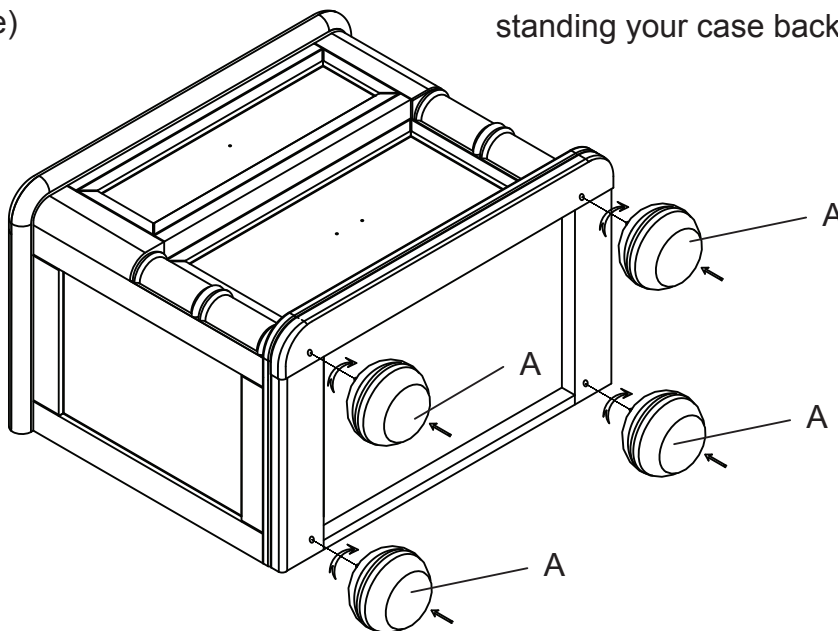
CASES SHOWN ASSEMBLED



A. Foot (4 pcs per case)

STEP #1:

1. Carefully lay your case on its back.
2. Attach Foot (Part A) to the bottom of the case by hand, screwing them into the holes.
3. Make sure all feet are tighten before standing your case back up.



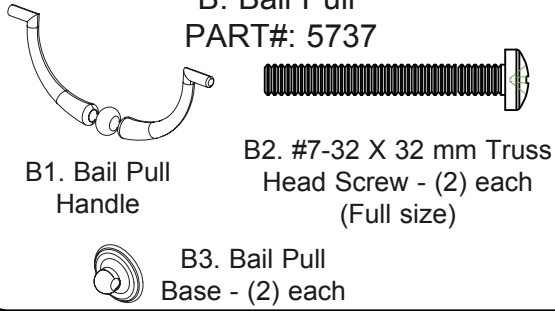
SIMMONS KIDS®

Children's Products LLC is an authorized licensee of Dreamwell, Ltd. a wholly-owned subsidiary of Simmons Bedding Company. SIMMONS KIDS® and the SIMMONS S&GLOBE are registered trademarks of Dreamwell, Ltd. ©2011 Dreamwell, Ltd. All rights reserved.

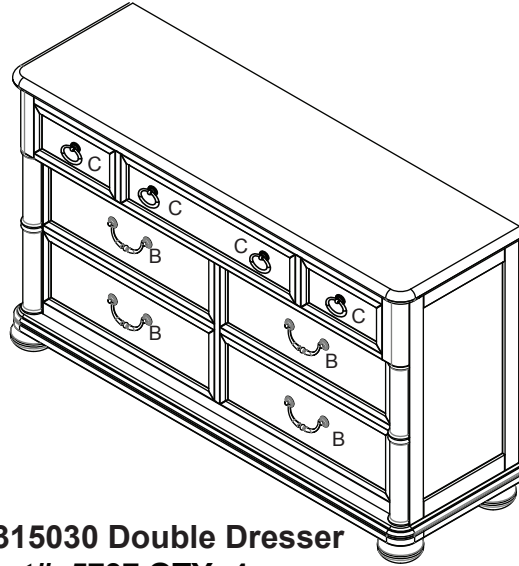
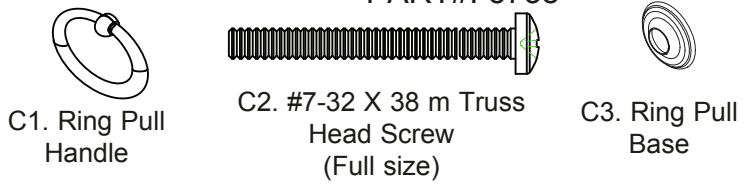
Simmons Juvenile Furniture
A Division Of Children's Products, LLC
114 West 26th Street
New York, NY 10001
1-800-218-2741

STEP #2:

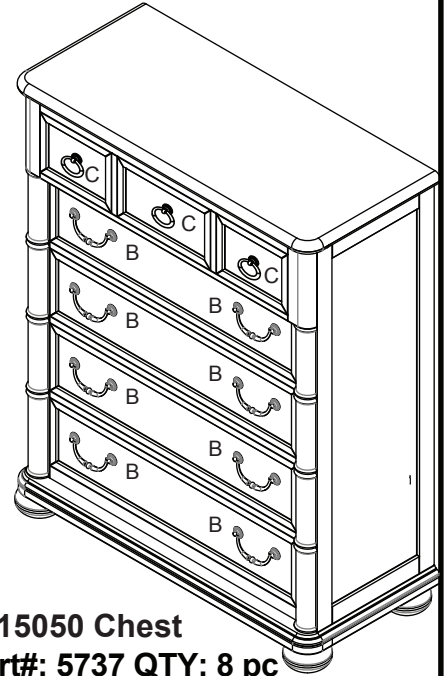
**B. Bail Pull
PART#: 5737**



**C. Ring Pull
PART#: 5738**

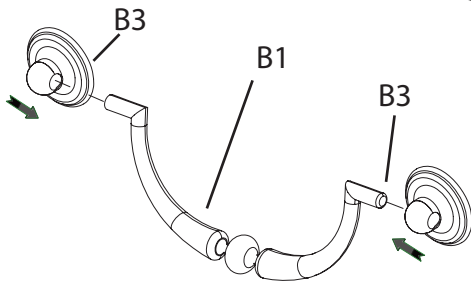


**#315030 Double Dresser
Part#: 5737 QTY: 4 pc
Part#: 5738 QTY: 4 pc**

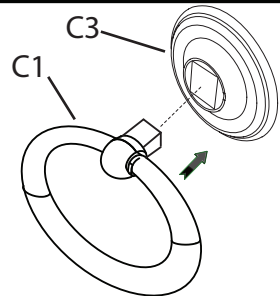


**#315050 Chest
Part#: 5737 QTY: 8 pc
Part#: 5738 QTY: 3 pc**

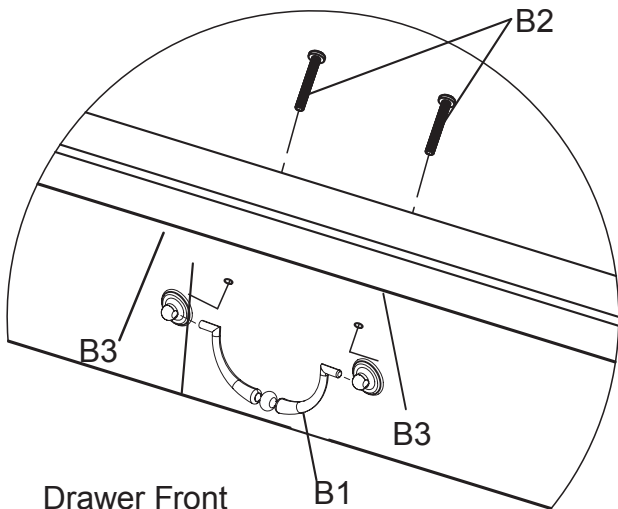
Assemble
Ball Handle:



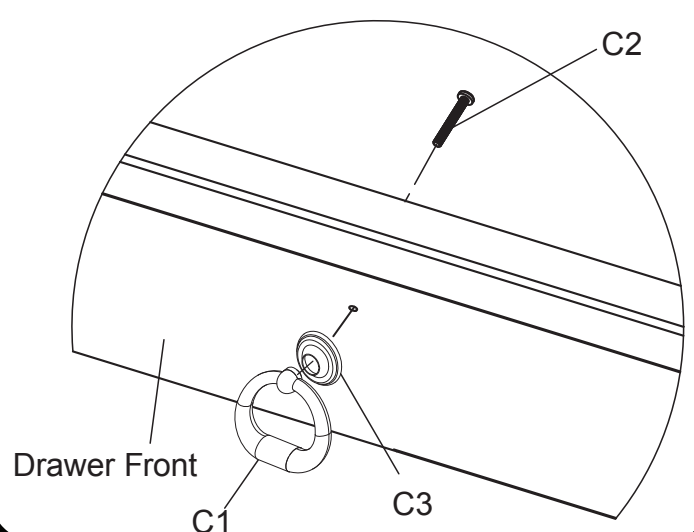
Assemble
Ring Handle:



ASSEMBLY PART#: 5737- BAIL PULL



ASSEMBLY PART#: 5738- RING PULL

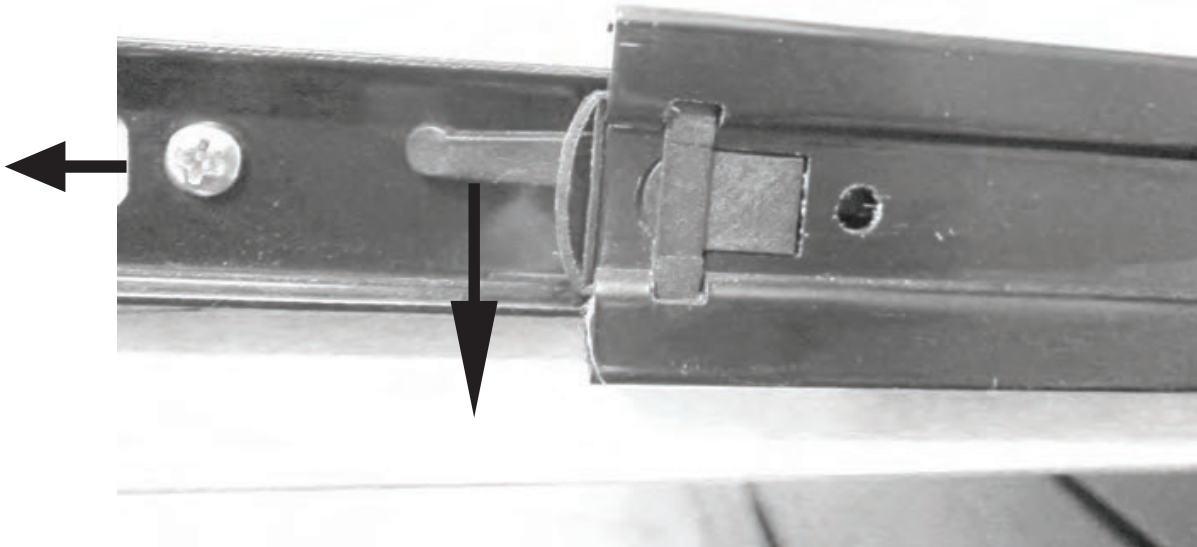


How To Operate The Drawer Glide

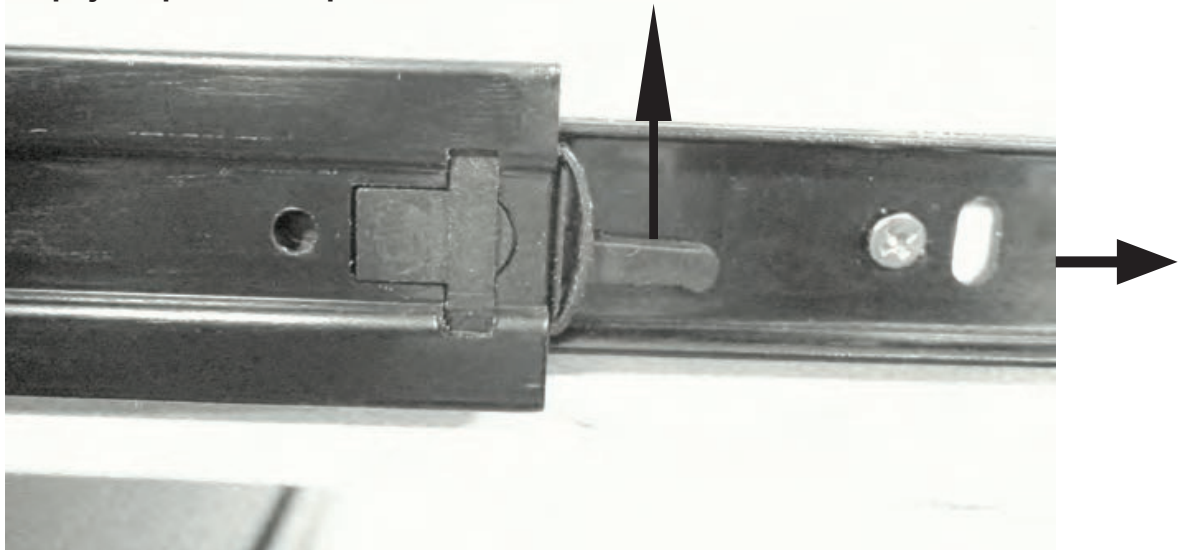
Comment faire fonctionner le tiroir Glide

Como la función de deslizamiento del cajón

Right Side Push Lever Down
Droit levier poussoir Side Down
Presione lado de la palanca derecha hacia abajo



Left Side Push Lever Up
Côté gauche Up Pousser le levier
empuje la palanca izquierda hacia arriba



The silver portion of the glide must be pulled to the front of the glide when assembling the drawer into the case.

La partie argentée du glissement de doit être tirée vers l'avant de la glisse lors du montage du tiroir dans le boîtier.

La parte plateada de la guía de la gaveta debe estar al frente de la guía cuando se está armando la cómoda.



To insert drawer align male runner on drawer to female runner on case and push all the way in

Pour insérer tiroir aligner runner homme sur le tiroir pour runner femme sur l'affaire et poussez jusqu'à ce qu'il repose

Para insertar cajón alinear runner mujer en el cajón para de hombre runner case y empuje hasta el fondo

