

SIMMONS GLIDING BASSINET

299777-XXX/701201-XXX

ASSEMBLY INSTRUCTIONS
ADULT ASSEMBLY REQUIRED



Styles and colors may vary



Required: Phillips Screwdriver (not included)
IMPORTANT: Read all instructions before assembly and use of the product.
Keep the instructions for future reference.

Customer Care Tel. 1-(800)-218-2741

(C)

www.SimmonsKidsProducts.com

SK Cat # 02-03-12-V3

Consumer Information



WARNING

Failure to follow these warnings and instructions could result in serious injury or death.

- **Read all instructions before assembling unit.**

KEEP INSTRUCTIONS FOR FUTURE USE.

DO NOT USE THIS UNIT IF THE INSTRUCTIONS CANNOT BE STRICTLY FOLLOWED.

- Before each usage or assembly, inspect unit for damaged hardware, loose joints, missing parts or sharp edges. NEVER use this product if there are any loose or missing fasteners, loose joints, broken parts, or torn mesh/fabric. Check before assembly and periodically during use. Contact Simmons Customer Service Department at 1-800-218-2741 (8:00am ~ 4:30pm PST) for replacement parts, repair or instructions.
- **DO NOT** substitute parts.
- **FALL HAZARD**—To help prevent falls, DO NOT use this product when the infant begins to push up on hands and knees or has reached manufacturer's recommended maximum weight of 15lbs. (6.8kg), whichever comes first.
- Use bassinet with only one child at a time.
- Strings can cause strangulation! DO NOT place items with a string around a child's neck, such as hood strings or pacifier cords. DO NOT suspend strings over a product or attach strings to toys.
- **SUFFOCATION HAZARD:** Infants can suffocate:
 - In gaps between an extra pad and side of the bassinet/cradle.
 - On soft bedding.
- **NEVER** add a mattress, pillow, comforter or padding. Use ONLY the pad provided by the manufacturer.
- If a sheet is used with the pad, use only the one provided by the manufacturer or one specifically designed to fit the dimensions of the bassinet/cradle.
- To reduce the risk of SIDS, pediatricians recommend healthy infants be placed on their back to sleep, unless otherwise advised by your physician.
- Never use plastic shipping bags or other plastic film as a mattress covers not sold and intended for that purpose. They can cause suffocation.
- **DO NOT** place bassinet near a window where cords from blinds or drapes may strangle a child. Child may fall out of window.
- **DO NOT** place cords, straps or similar items that could become wound around a child's neck in or near the bassinet.

CARE AND MAINTENANCE

Check bassinet for worn parts, torn material or stitching periodically. Replace or repair the parts as needed. Use Delta replacement parts.

Manufactured for and distributed by:



Simmons Juvenile Furniture

A Division of Children's Products, LLC
114 West 26th Street, New York, NY 10001



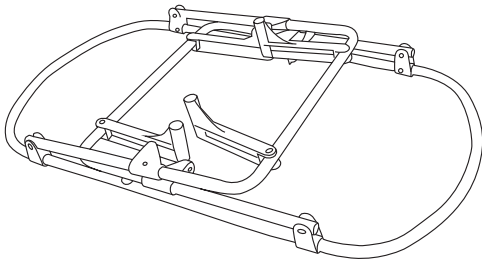
Customer Service

Tel. 1-800-218-2741
www.SimmonsKidsProducts.com

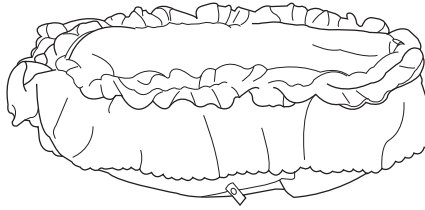
MADE IN CHINA

Parts

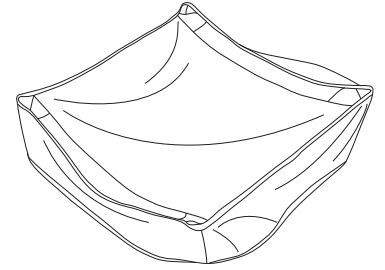
IMPORTANT! Please remove all parts from the package and identify them before assembly.



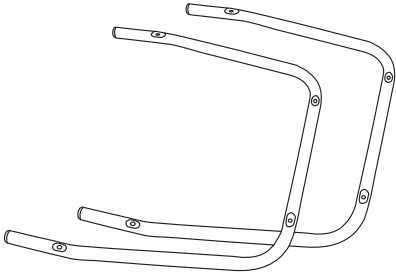
Frame



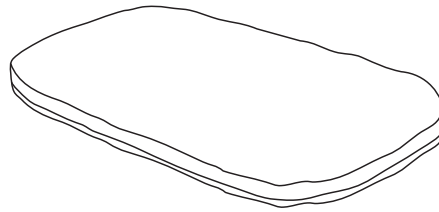
Fabric Liner



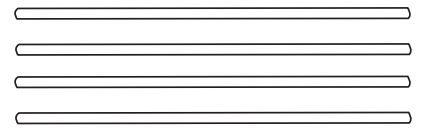
Fabric Storage Liner



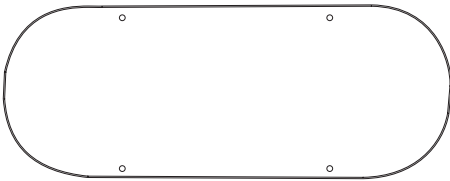
Base Legs



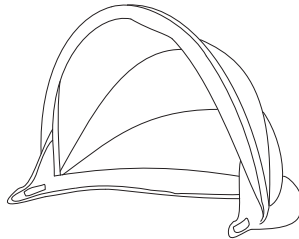
Mattress Pad



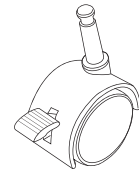
Support Tubes X4



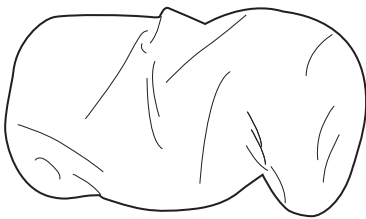
Mattress Support



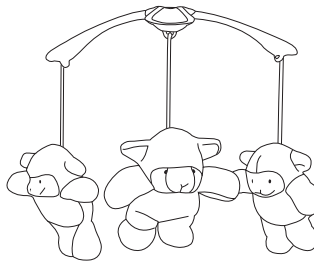
Canopy



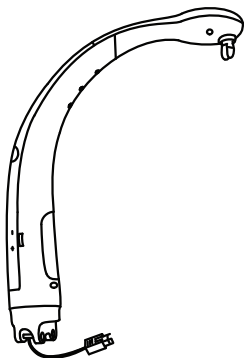
Locking Caster (X4)



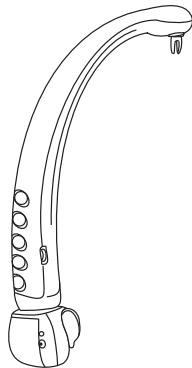
Sheet



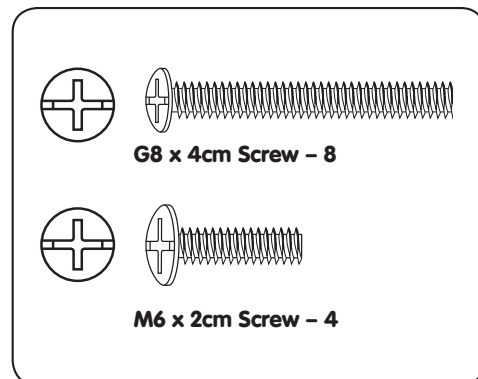
Toys



Clip-on Mobile arm*



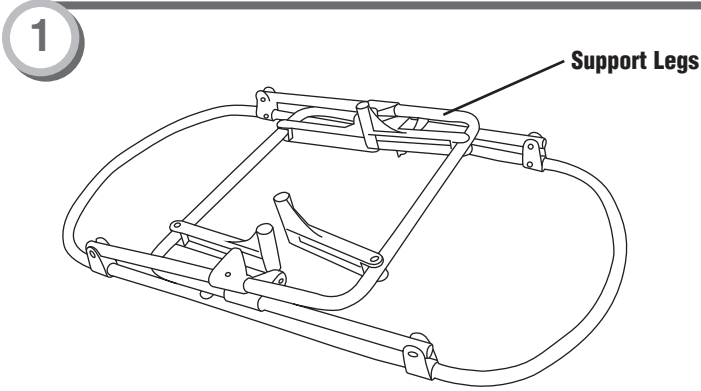
Fixed Mobile arm**



* Fixed Mobile arm assembly on page - 9

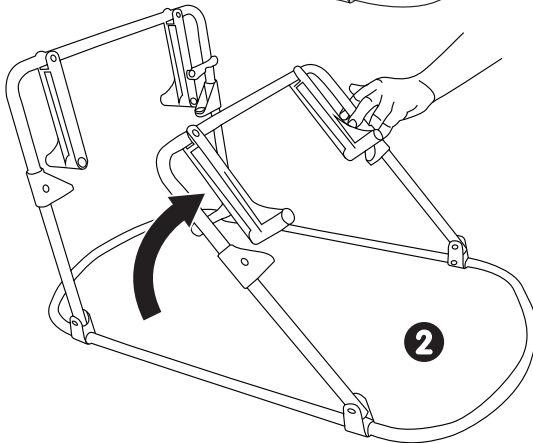
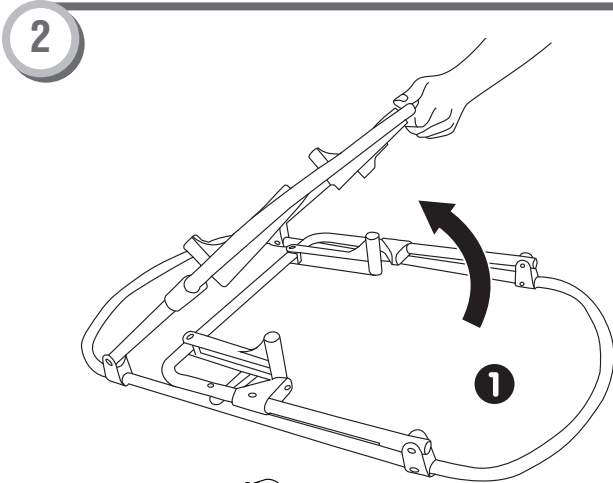
** Clip-on Mobile arm assembly on page - 10

Bassinet Assembly

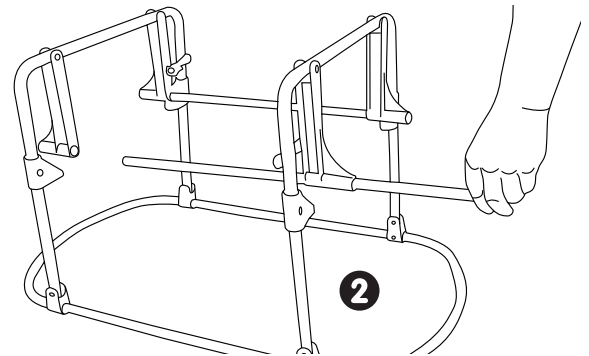
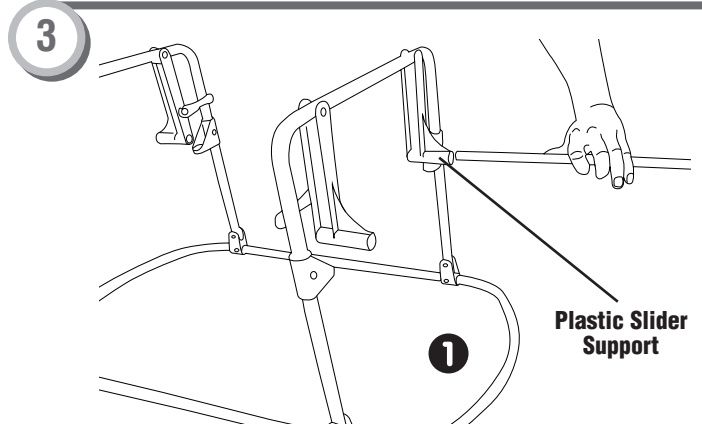


Note: You may need the help of another adult to help steady all parts for assembly.

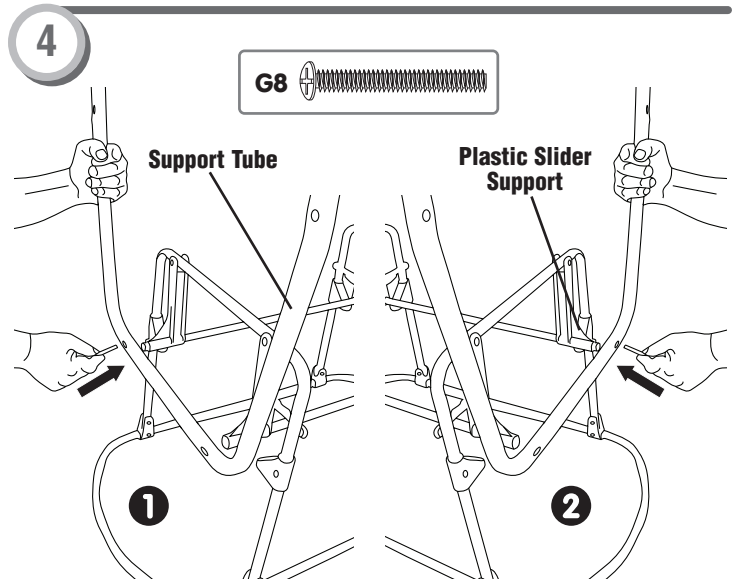
- Place the frame on a flat surface with the support legs facing up.



- Rotate the support legs out as shown in the above images.



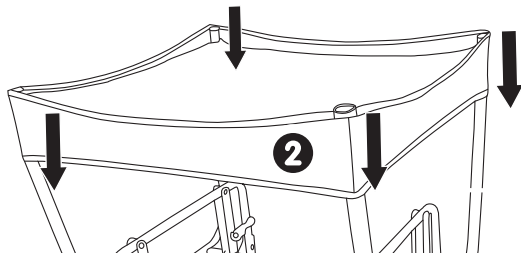
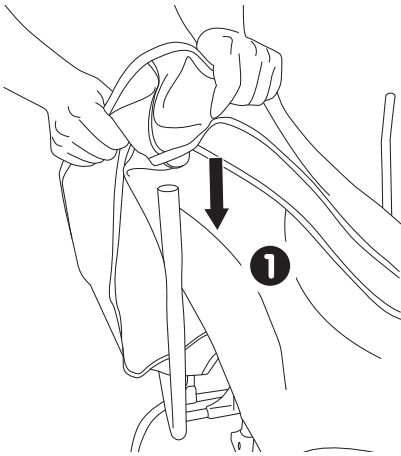
- Locate the four (x4) support tubes.
- Slide a support tube into the plastic glider support. Push the support bar through the second plastic slider support.
- Repeat with the second support tube.



- Locate the four (x4) G8 screws and the base legs.
- **1** With the open end up, line the bottom holes up with the two support tubes and plastic glider supports.
- Insert the G8 screw and hand tighten.
- **2** Align the other bottom hole on the base leg with the other support tube and plastic glider support.
- Insert the other G8 screw and hand tighten.
- Use a screwdriver to tighten the two screws.
- Repeat for other support tube.

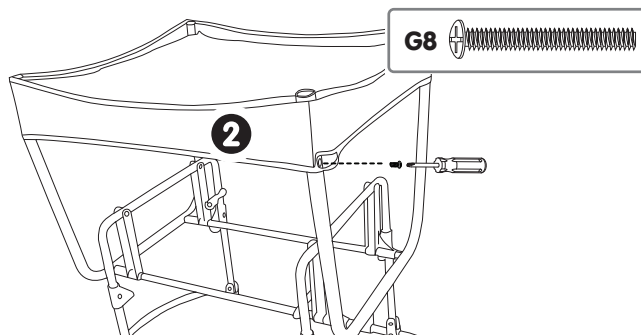
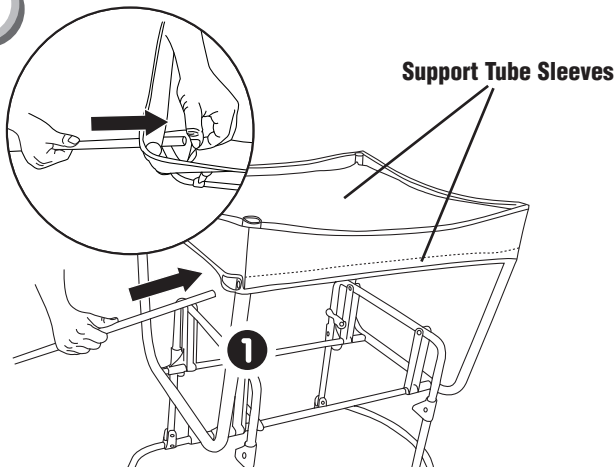
Bassinet Assembly

5



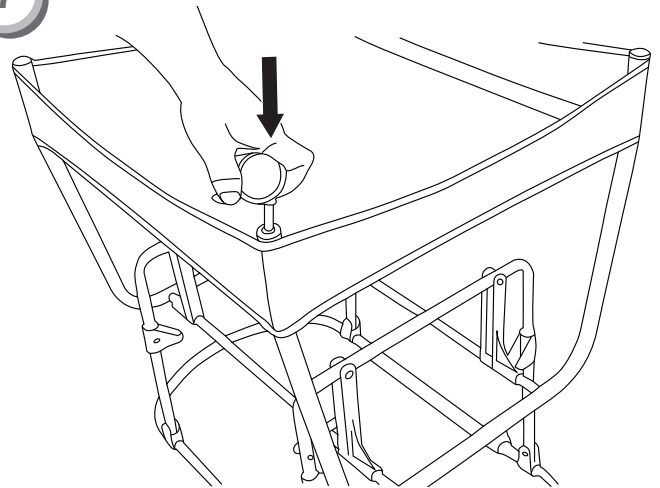
- Locate fabric storage liner.
- **1** With the support tube sleeves facing up, **2** slide the openings on the fabric storage liner over the base tubes.

6



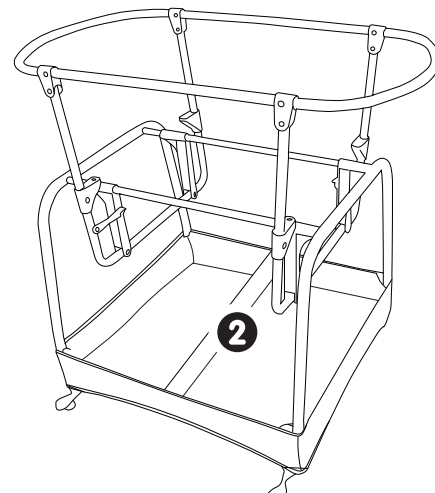
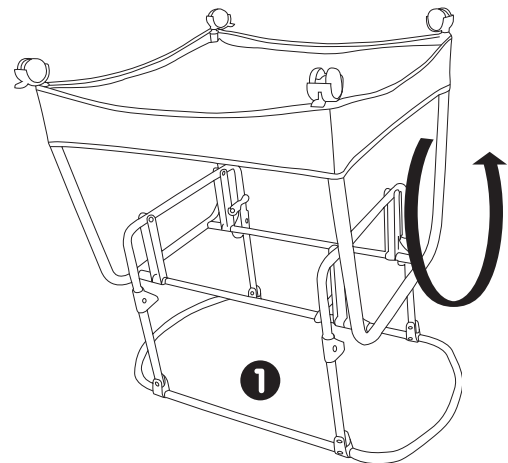
- Locate the remaining two (x2) support tubes and four (x4) G8 screws.
- Slide the support tubes through the support tube sleeves.
- Use a screwdriver and the G8 screws, securely fasten the support tubes to the base legs.

7



- Locate the four (x4) casters.
- Insert the casters into the base legs. Push down until you hear the caster “click” into place.
- Pull up on the caster to assure it is properly attached to the bassinet.

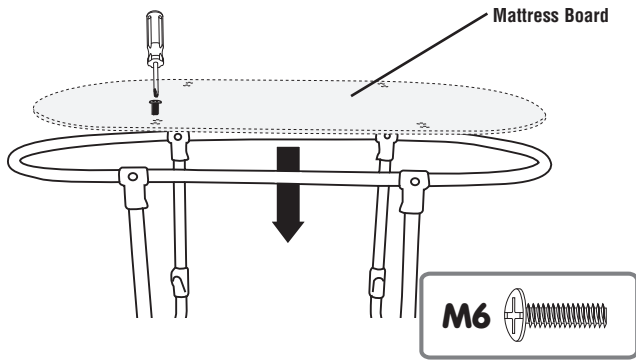
8



- Turn the assembly upright.
- Check to be sure the legs are secure. While gently holding the base down, pull out on the top rail. The complete frame assembly should remain intact.

Bassinet Assembly

9



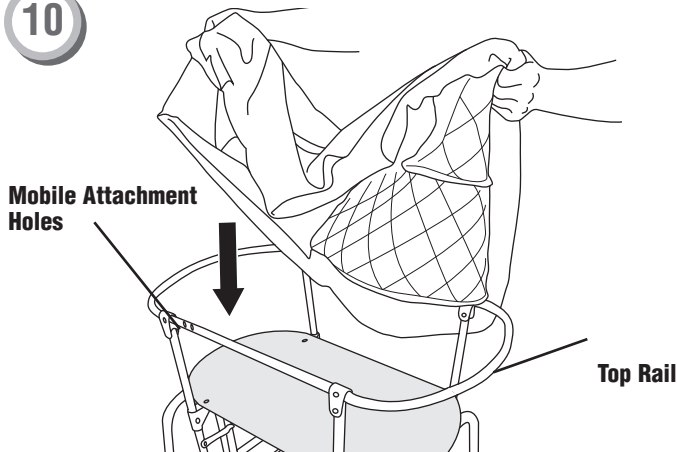
- Locate the mattress board and four (x4) M6 X 2cm screws.
- Place the mattress board into the frame lining up the four through holes with the plastic mattress board support nuts.
- Using a screw driver and four (x4) M6 X 2cm screws, tighten the mattress board onto the plastic mattress board supports.

12



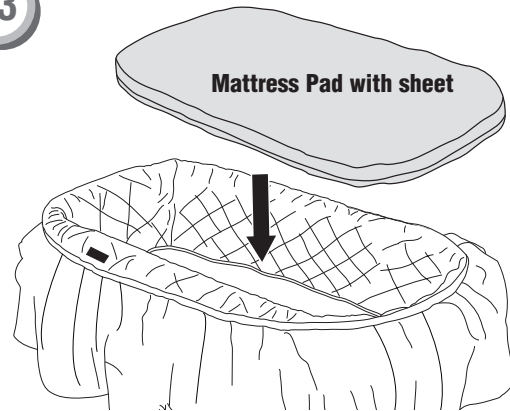
- Lift the skirt on the liner, snap all of the straps around the top of the frame.

10



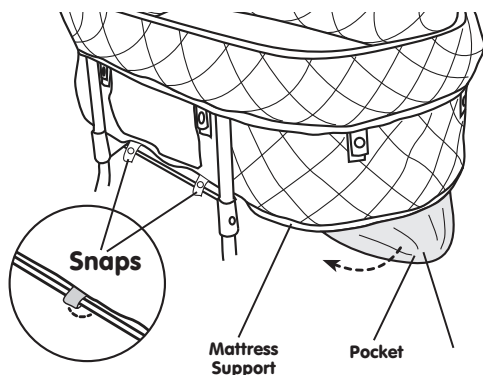
- Locate the fabric liner.
- NOTE:** Front of the frame has the mobile attachment holes and the front of the liner has the warning label.
- Align the mobile attachment holes with mobile attachment opening on the warning label end.
- Place the liner onto the frame. Make sure warning is centered at the end of bassinet.

13



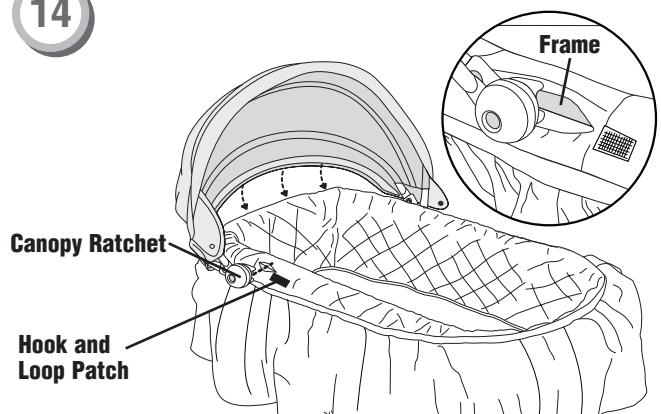
- Place the sheet over the mattress pad.
- Place the mattress pad with sheet into the liner.

11



- Stretch the pockets on the bottom of the liner around the ends of the mattress support.

14



- Position the canopy over the top end of the bassinet opposite the warning label.
- Push aside foam to expose metal and push the canopy ratchet onto the frame on both sides of the bassinet.
- Fasten the hook and loop fasteners on the back edge of the canopy to the liner. Then fasten the hook and loop patches on each canopy flap to the side of the liner.

Consumer Information



WARNING

Read all instructions BEFORE assembly and USE of product. KEEP INSTRUCTIONS FOR FUTURE USE.

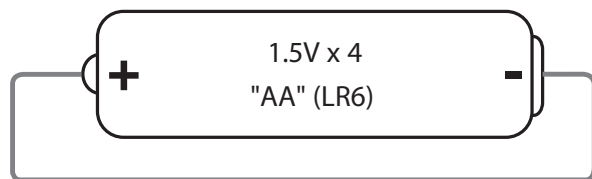
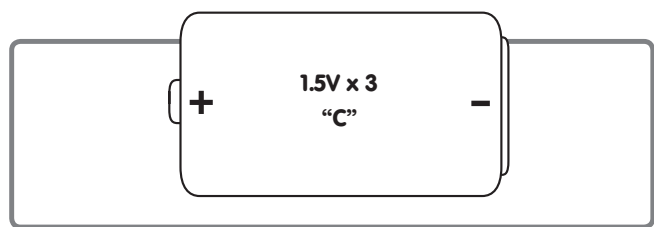
- A mobile is intended for visual stimulation and is not intended to be grasped by the child.
- From birth to 5 months.
- Possible entanglement injury.
- Keep out of baby's reach.
- Remove mobile from bassinet or cradle when baby begins to push up on hands and knees. Toys are not meant to be "mouthed" by the baby and should be positioned clearly out of reach of the baby's face and mouth.
- Adult assembly required.
- Always attach all provided fasteners (strings, straps, clamps, etc.) tightly to the bassinet according to the instructions. Check frequently.
- Do not add additional strings or straps to attach to the bassinet.
- The mobile is not intended for use in playpens or portable cribs.

CAUTION - Changes or modifications not expressly approved by the party responsible for compliance could void the user's authority to operate the equipment.

NOTE: This equipment has been tested and found to comply with the limits for a class B digital device, pursuant to Part 15 of the FCC Rules. These limits are designed to provide reasonable protection against harmful interference in a residential installation. This equipment generates, uses and can radiate radio frequency energy and, if not installed and used in accordance with the instructions, may cause harmful interference to radio communications. However, there is no guarantee that interference will not occur in a particular installation. If this equipment does cause harmful interference to radio or television reception, which can be determined by tuning the equipment off and on, the user is encouraged to try to correct the interference by one or more of the following measures:

- Reorient or relocate the receiving antenna.
- Increase the separation between the equipment and receiver.
- Connect the equipment into an outlet on a circuit different from that to which the receiver is connected.
- Consult the dealer or experienced radio/TV technician for help.

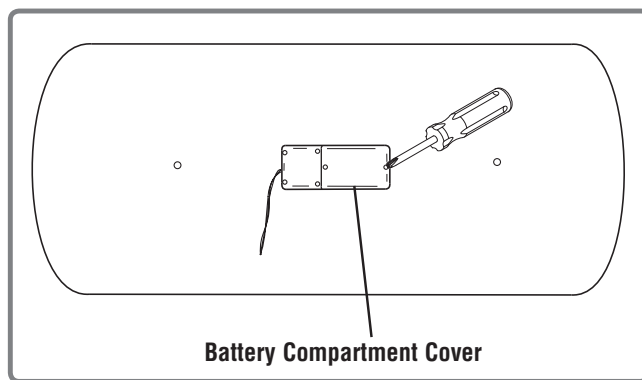
Battery Safety Information




(On Some Model)

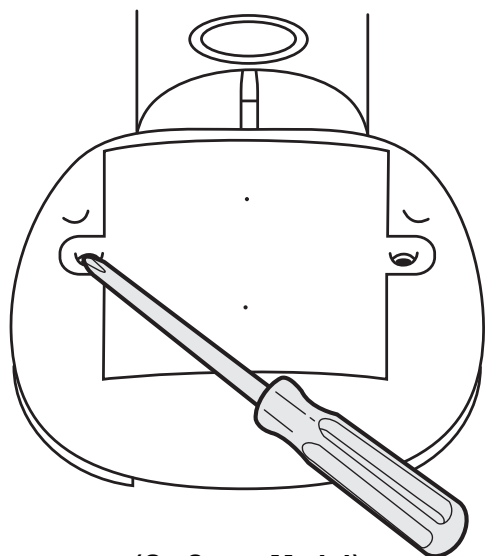
In exceptional circumstances, batteries may leak fluids that can cause a chemical burn injury or ruin your product. To avoid battery leakage:

- Do not mix old and new batteries or batteries of different types: alkaline, standard (carbon-zinc) or rechargeable (nickel-cadmium).
- Insert batteries as indicated inside the battery compartment.
- Remove batteries during long periods of non-use. Always remove exhausted batteries from the product. Dispose of batteries safely.
- Never short-circuit the battery terminals.
- Use only batteries of the same or equivalent type, as recommended.
- Do not charge non-rechargeable batteries.
- Remove rechargeable batteries from the product before charging.
- If removable, rechargeable batteries are used, they are only to be charged under adult supervision.
- When discarding batteries, be sure to dispose of them in the proper manner, according to your state and local regulations.



- Locate the battery compartment on the underside of the mattress support.
 - Loosen the screws in the battery compartment cover with the Phillips screwdriver. Lift to remove.
 - Insert three “C” alkaline batteries into the battery compartment.
 - Replace the battery compartment cover and tighten the screws.
- NOTE: Low battery power may cause product movement to slow, sound to become faint or product to turn off all together. If this should happen, replace the batteries with three, new “C” 1.5V batteries. We recommend using alkaline batteries for longer battery life. Make sure batteries are correctly installed.**
-  • Protect the environment by not disposing of this product with household waste (2002/96/EC). Check your local authority for recycling advice and facilities.

Battery Installation

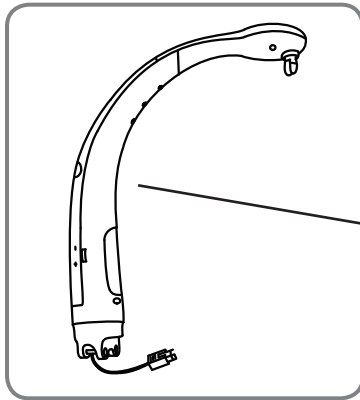


(On Some Model)

- Locate the battery compartment on the back of the mobile arm base.
- HINT: We recommend using alkaline batteries for longer battery life.**
- Loosen the screws in the battery compartment door with a Phillips screwdriver.
 - Insert four “AA” (LR6) alkaline batteries into the battery compartment.
 - Replace the battery compartment door and tighten the screws.
- NOTE: Low battery power may cause product movement to slow, sound to become faint or product to turn off all together. If this should happen, replace the batteries with four, new alkaline “AA” (LR6) batteries.**

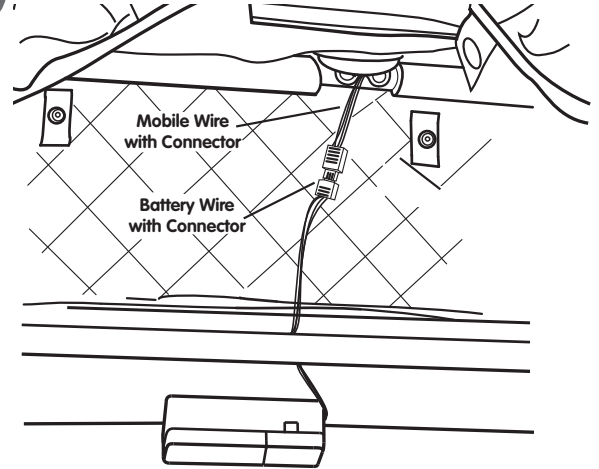
Fixed Mobile Assembly (On Some Model)

- Please identify your mobile arm. For fixed mobile arm, follow the instructions on this page. For Clip-on mobile arm, follow instructions on next page.



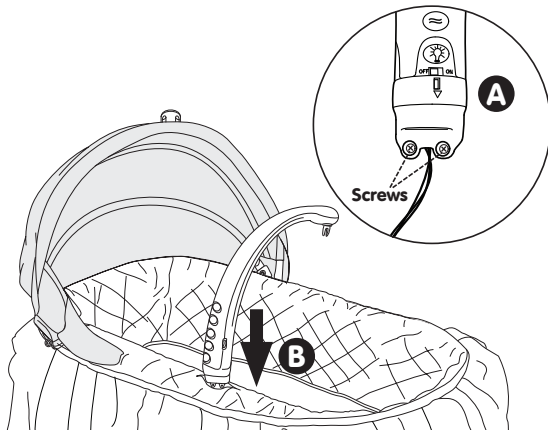
Fixed mobile arm

3



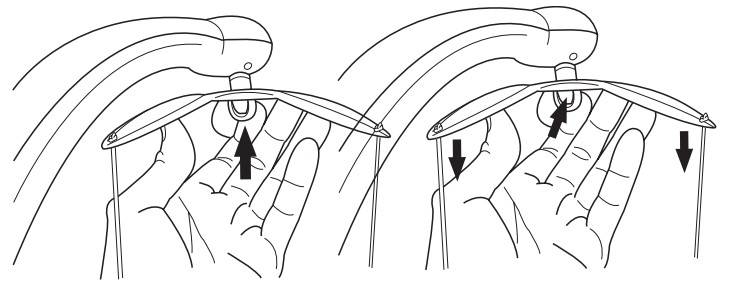
- Lift the fabric on the mobile side of the bassinet and connect the mobile wire connector into the battery wire connector.

1



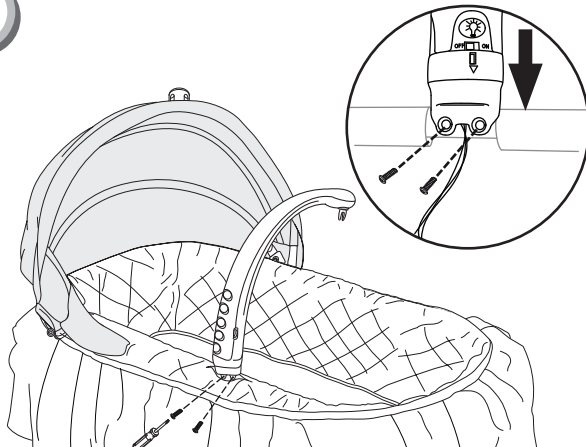
- **A** Remove two (2) pre-installed screws from mobile arm.
- Locate the pre-drilled holes on the bassinet frame and **B** place the mobile arm over the holes on the bassinet side frame.

4



- Fit the mobile to the mobile arm. Push the mobile up firmly.
Hint: To disassemble the mobile for storage, press the tab on the mobile arm and pull the mobile down.

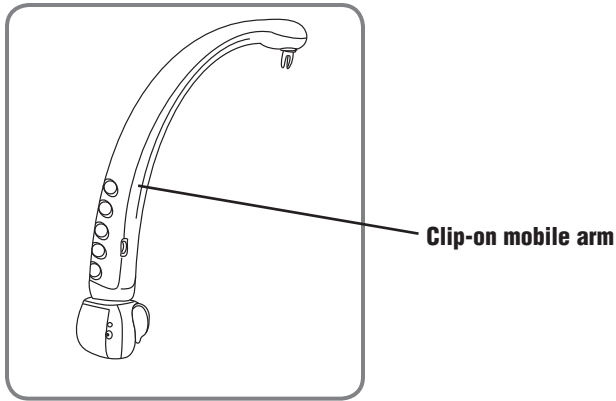
2



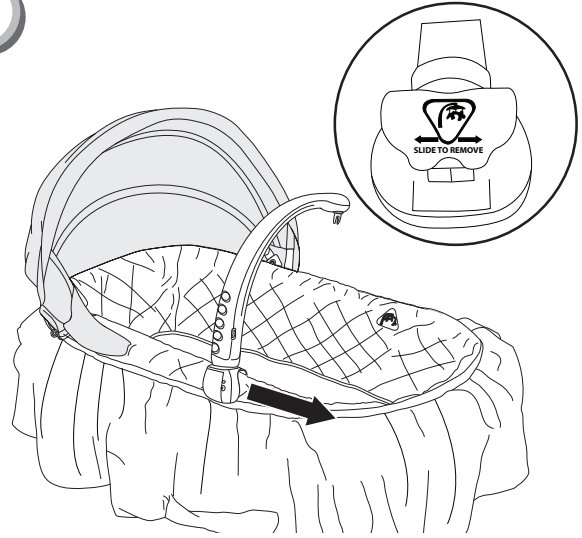
- Re-insert the screws into the mobile arm. Tighten with screwdriver.
- To Remove the Mobile Arm Assembly**
- Please reverse from step two to step one.

Clip-on Mobile Assembly (On Some Model)

- Please identify your mobile arm. For Clip-on mobile arm, follow the instructions on this page. For Fixed mobile arm, follow instructions on previous page.



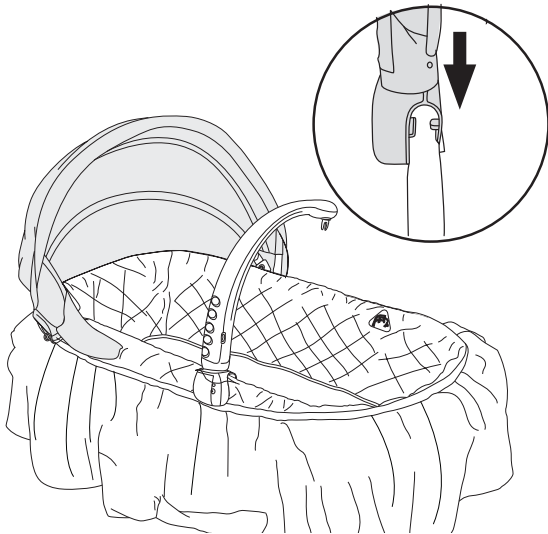
2



To Remove the Mobile Arm Assembly

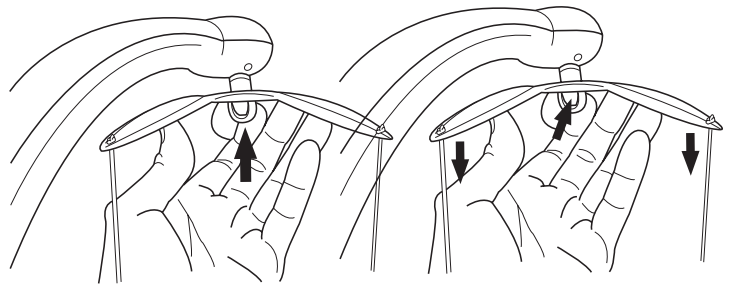
- First pull the latch on the base of the mobile arm out and then slide the mobile arm along the side rail.
- Lift the mobile arm off the top rail.

1



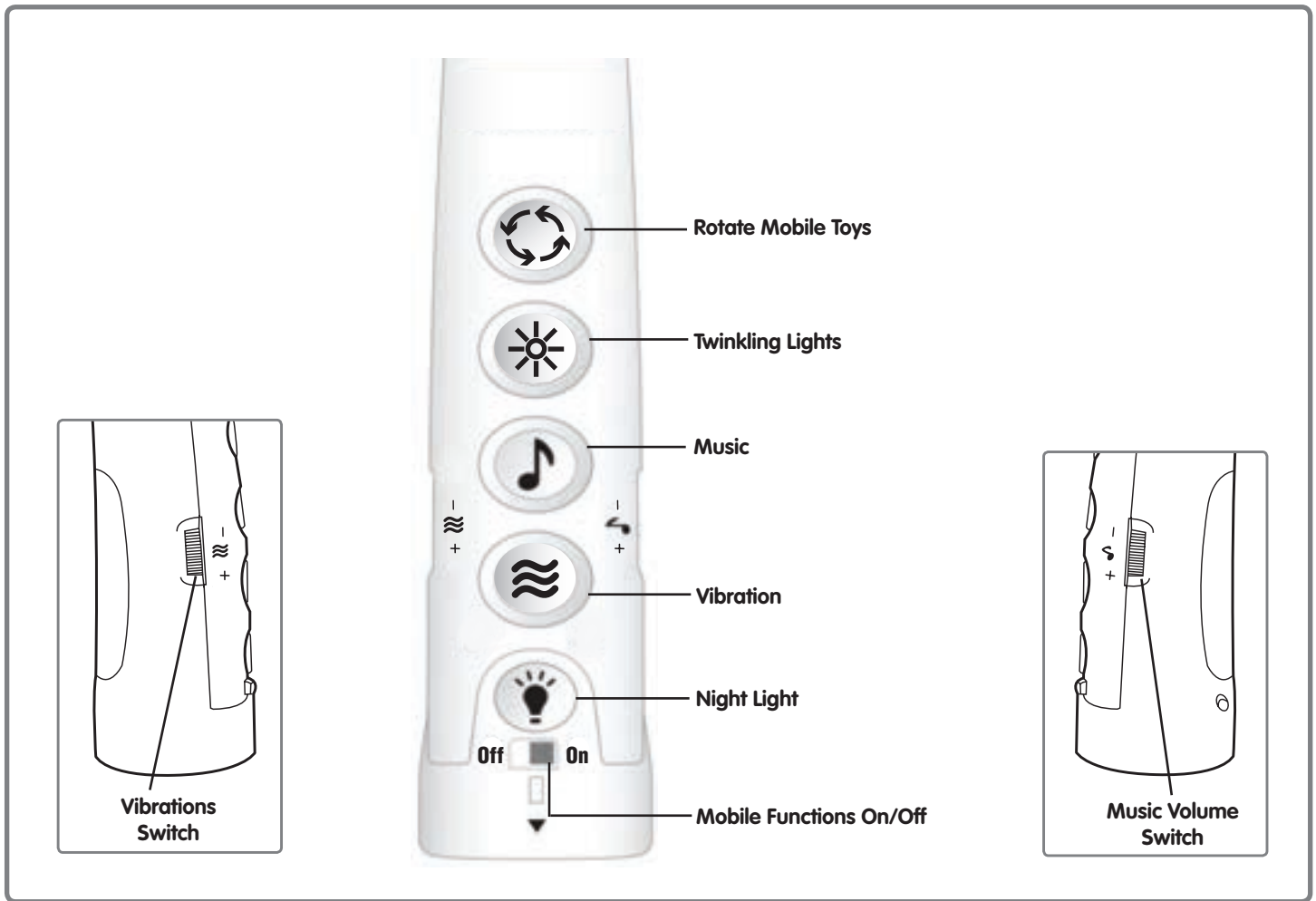
- Place the mobile arm over the mobile icon  located on the side rails.
- Push down until you hear it “snap” into the bracket located inside the side rail.

3



- Fit the mobile to the mobile arm. Push the mobile up firmly.
- Hint:** To disassemble the mobile for storage, press the tab on the mobile arm and pull the mobile down.

Mobile Unit Operation



Mobile Functions On/Off Switch

- Push the Mobile Functions On/Off button at the base of the mobile arm to turn on power. This is the main power switch to the mobile arm and also turns on the power LED on the Night Light button. The LED will stay on in the dark.

Rotate Mobile Toys Button

- Press to begin a 5 minute cycle of rotation.
- Press again to stop the mobile.
- Press to start a new 5-minute cycle. If this button is pressed while mobile is operating, the rotation cycle will restart.

Twinkling Lights Button

- Press to start a 5 minute light show.
- Press again to stop the light show.

Music Button

- Press to start cycle of music.
- Press again to stop the music.

Vibration Button (On Some Model)

- Press to start 5-minute cycle of vibration.
- Press again to stop vibration.

Night Light

- Press to turn on mobile light for 5 minutes.
- Press again to turn light off.

Vibration Switch (On Some Model)

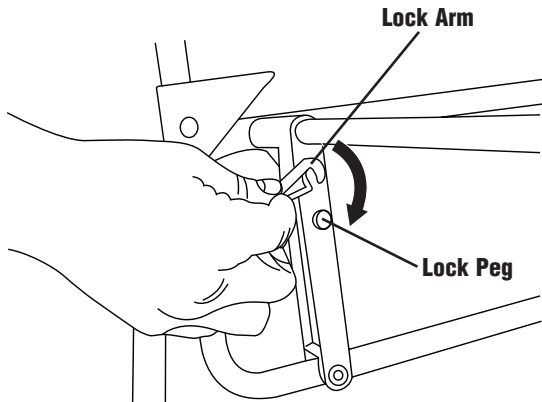
- Push toward + to increase vibration.
- Push toward – to decrease vibration.

Music Volume Switch

- Push toward + to increase volume.
- Push toward – to decrease volume.

Locking/Unlocking Bassinet

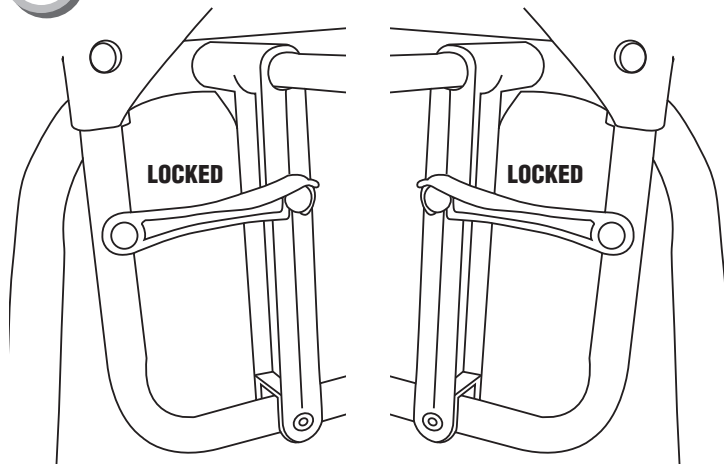
1



- To lock the gliding mechanism, rotate the red lock arm clock wise and snap the lock arm onto the lock peg.

NOTE: There is a lock on both sides of the bassinet.

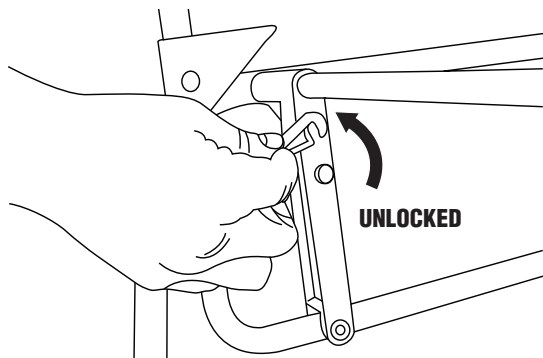
2



HINT: Locks are located on opposite corners of the bassinet frame.

- Repeat lock procedure on other side of the bassinet.

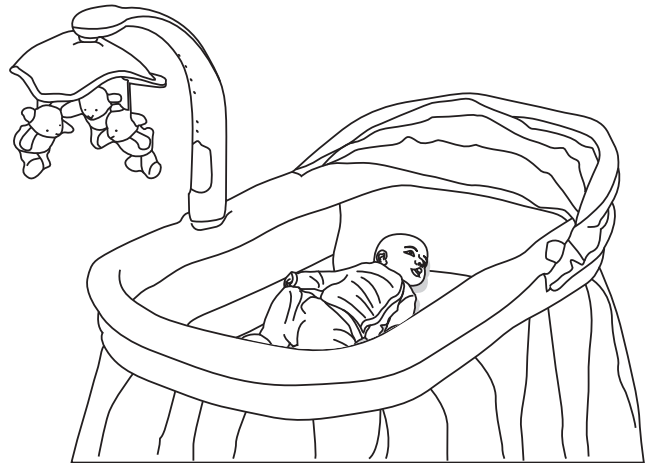
3



- To unlock the gliding mechanism rotate the red lock arm counter clock wise and off the lock peg.

NOTE: Remember to unlock both sides of the bassinet.

1



NOTE: when placing or lifting a child into or out of the bassinet make sure the canopy is fully rotated into the closed position and electronic mobile arm is fully rotated away from the baby.

Care

- The frame, mattress pad, storage basket, canopy, mobile and mobile arm may be wiped clean using a mild cleaning solution and a damp cloth. Do not use bleach. Do not use harsh or abrasive cleaners. Rinse clean with water to remove residue. Do not immerse the frame.
- The sheet is machine washable. Wash it separately in cold water on the gentle cycle. Do not use bleach. Tumble dry separately on low heat and remove promptly.
- Always store product in a clean and dry place.

Manufactured for and distributed by:



Simmons Juvenile Furniture

A Division of Children's Products, LLC
114 West 26th Street, New York, NY 10001



Customer Service

Tel. 1-800-218-2741
www.SimmonsKidsProducts.com

MADE IN CHINA