

GLIDING BASSINET 27202-XXX GBV3

**ASSEMBLY INSTRUCTIONS
ADULT ASSEMBLY REQUIRED**

Delta™

Children's Products

Styles and colors may vary



Required: Phillips Screwdriver (not included)
IMPORTANT: Read all instructions before assembly and use of the product.
Keep the instructions for future reference.

Customer Care Tel. 1-(800)-377-3777

(C)

www.DeltaChildrensProducts.com

DCP Cat# 10-26-12-V3

Consumer Information



WARNING

Failure to follow these warnings and instructions could result in serious injury or death.

- **Read all instructions before assembling unit.**

KEEP INSTRUCTIONS FOR FUTURE USE.

DO NOT USE THIS UNIT IF THE INSTRUCTIONS CANNOT BE STRICTLY FOLLOWED.

- Before each usage or assembly, inspect unit for damaged hardware, loose joints, missing parts or sharp edges. NEVER use this product if there are any loose or missing fasteners, loose joints, broken parts, or torn mesh/fabric. Check before assembly and periodically during use. Contact Simmons Customer Service Department at 1-800-218-2741 (8:00am ~ 4:30pm PST) for replacement parts, repair or instructions.
- **DO NOT** substitute parts.
- **FALL HAZARD**—To help prevent falls, DO NOT use this product when the infant begins to push up on hands and knees or has reached manufacturer's recommended maximum weight of 15lbs. (6.8kg), whichever comes first.
- Use bassinet with only one child at a time.
- Strings can cause strangulation! DO NOT place items with a string around a child's neck, such as hood strings or pacifier cords. DO NOT suspend strings over a product or attach strings to toys.
- **SUFFOCATION HAZARD:** Infants can suffocate:
 - In gaps between an extra pad and side of the bassinet/criadle.
 - On soft bedding.
- Use ONLY the pad provided by the manufacturer. **NEVER** add a pillow, comforter or another mattress for padding.
- If a sheet is used with the pad, use only the one provided by the manufacturer or one specifically designed to fit the dimensions of the bassinet/criadle.
- To reduce the risk of SIDS, pediatricians recommend healthy infants be placed on their back to sleep, unless otherwise advised by your physician.
- Never use plastic shipping bags or other plastic film as a mattress covers not sold and intended for that purpose. They can cause suffocation.
- **DO NOT** place bassinet near a window where cords from blinds or drapes may strangle a child. Child may fall out of window.
- **DO NOT** place cords, straps or similar items that could become wound around a child's neck in or near the bassinet.

CARE AND MAINTENANCE

Check bassinet for worn parts, torn material or stitching periodically. Replace or repair the parts as needed. Use Delta replacement parts.

Manufactured for and distributed by:

Delta
Children's Products

114 West 26th Street, New York, NY 10001



Customer Service

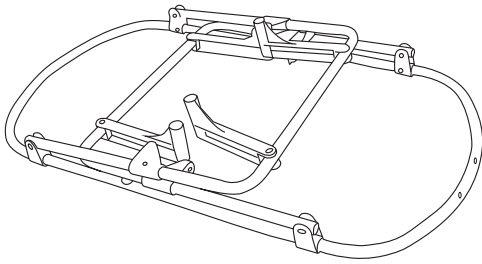
Tel. 1-800-218-2741

www.SimmonsKidsProducts.com

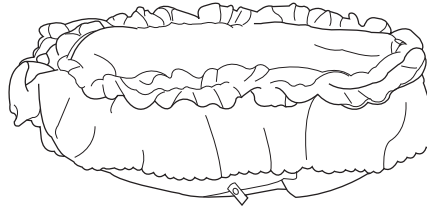
MADE IN CHINA

Parts

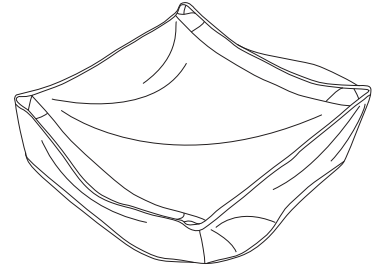
IMPORTANT! Please remove all parts from the package and identify them before assembly.



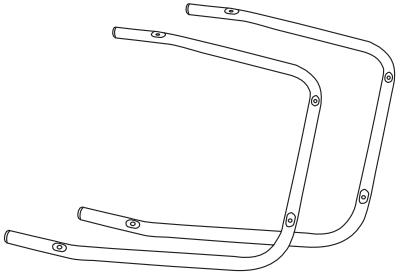
Frame



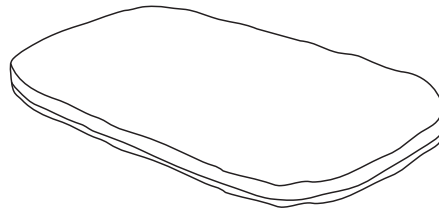
Fabric Liner



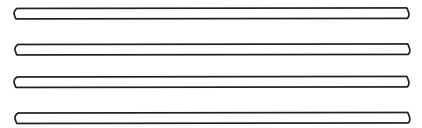
Fabric Storage Liner



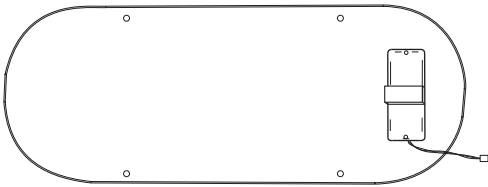
Base Legs



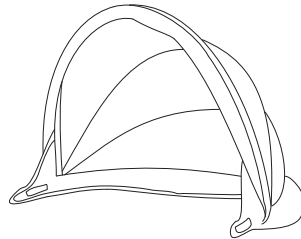
Mattress Pad



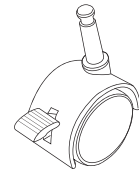
Support Tubes X4



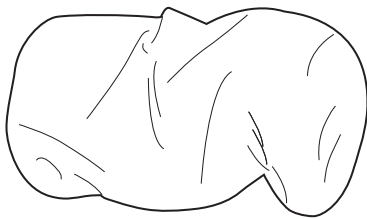
Mattress Support



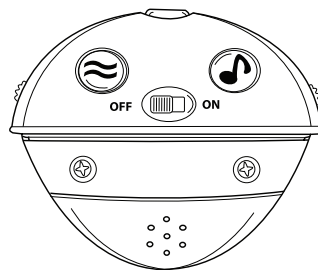
Canopy



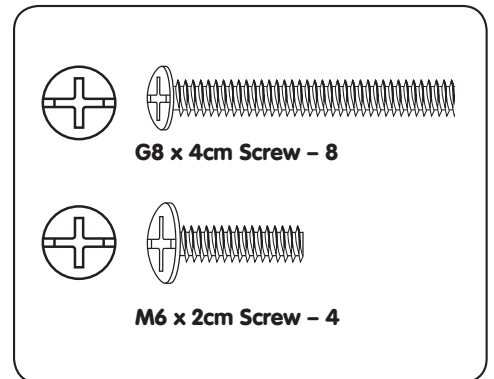
Locking Caster (X4)



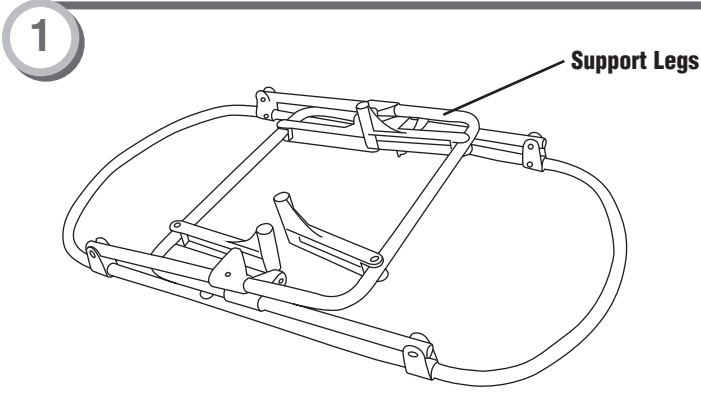
Sheet



Music Module

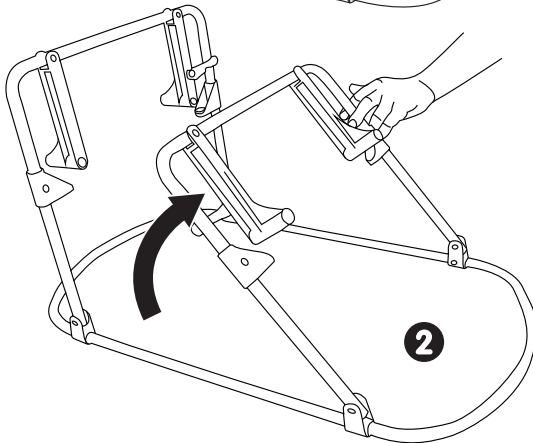
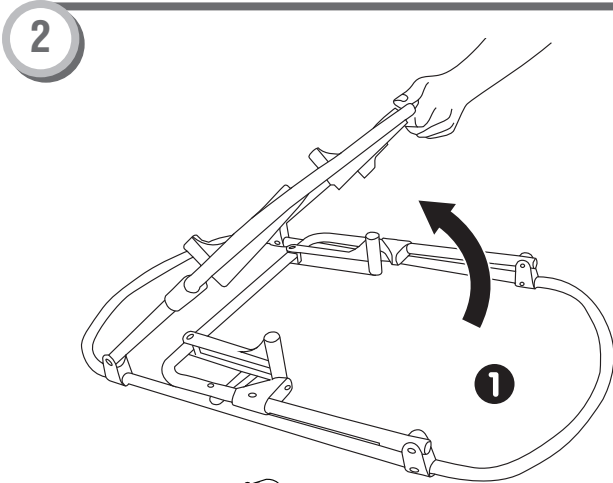


Bassinet Assembly

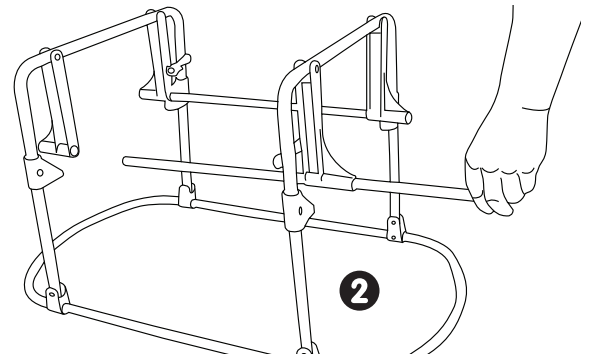
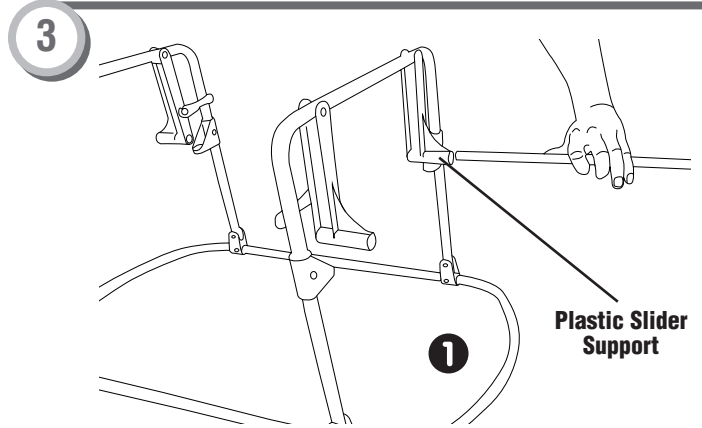


Note: You may need the help of another adult to help steady all parts for assembly.

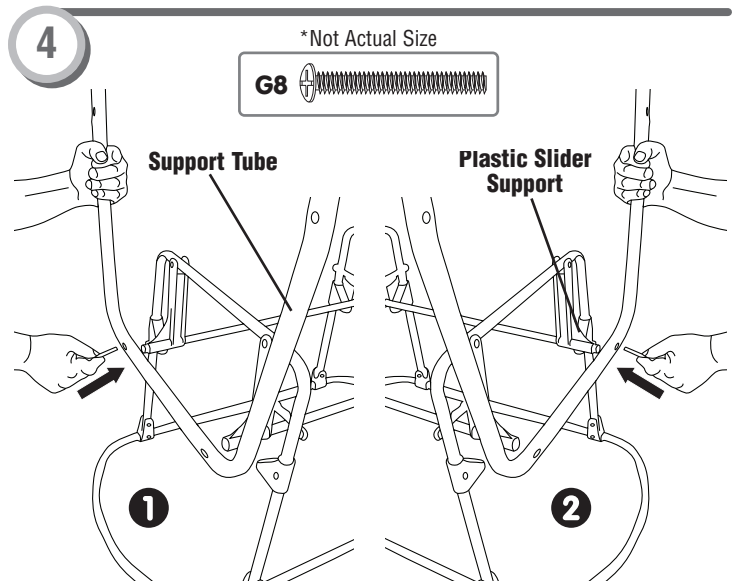
- Place the frame on a flat surface with the support legs facing up.



- Rotate the support legs out as shown in the above images.



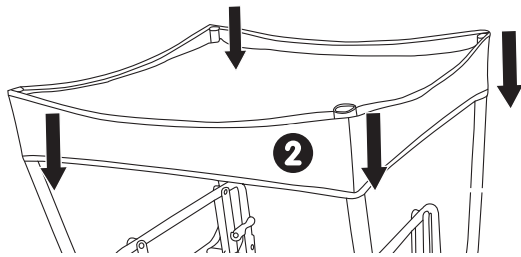
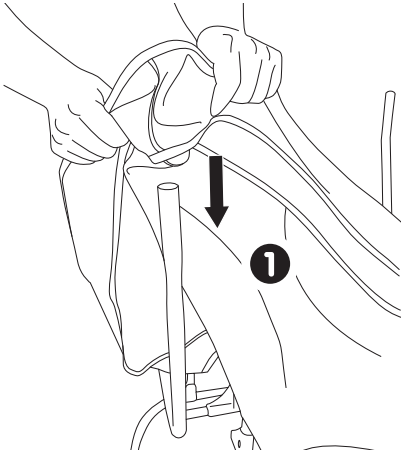
- Locate the four (x4) support tubes.
- Slide a support tube into the plastic slider support. Push the support bar through the second plastic slider support.
- Repeat with the second support tube.



- Locate the four (x4) G8 screws and the base legs.
- **1** With the open end up, line the bottom holes up with the two support tubes and plastic slider supports.
- Insert the G8 screw and hand tighten.
- **2** Align the other bottom hole on the base leg with the other support tube and plastic slider support.
- Insert the other G8 screw and hand tighten.
- Use a screwdriver to tighten the two screws.
- Repeat for other support tube.

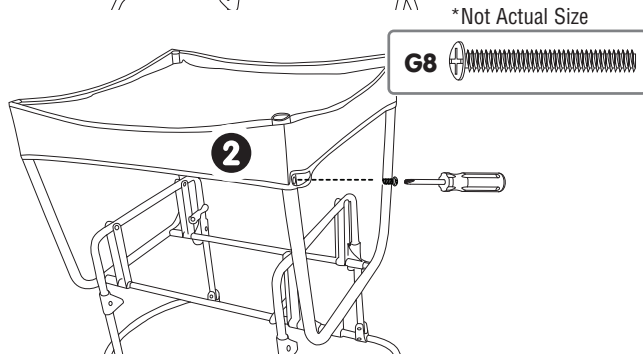
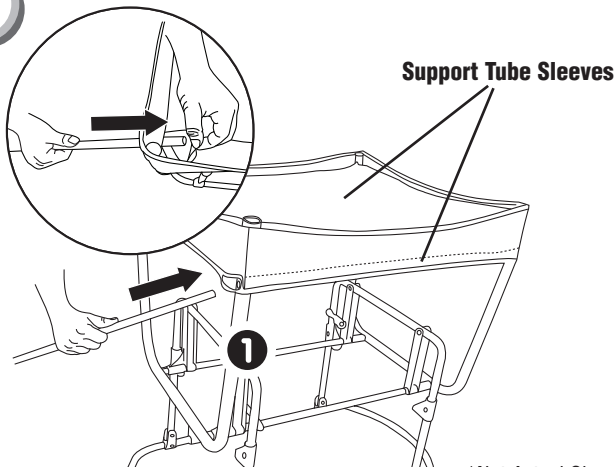
Bassinet Assembly

5



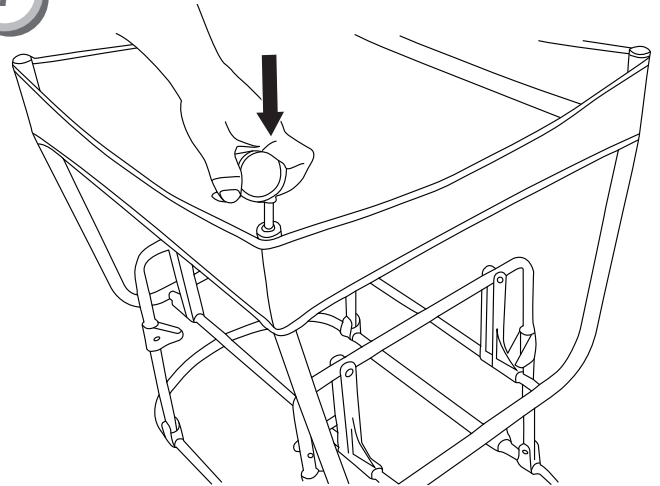
- Locate fabric storage liner.
- **1** With the support tube sleeves facing up, **2** slide the openings on the fabric storage liner over the base tubes.

6



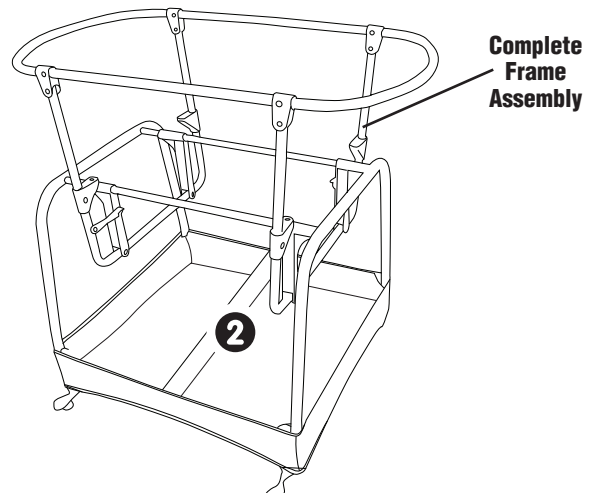
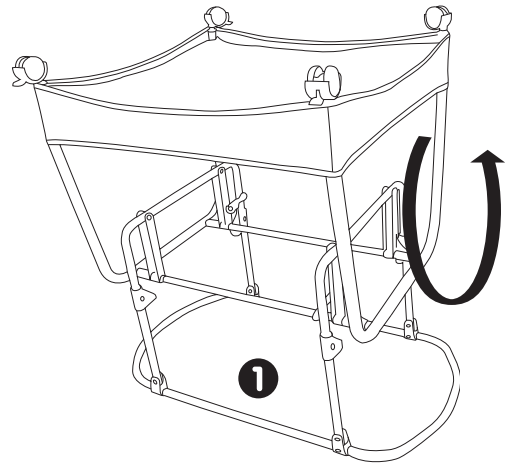
- Locate the remaining two (x2) support tubes and four (x4) G8 screws.
- Slide the support tubes through the support tube sleeves.
- Use a screwdriver and the G8 screws, securely fasten the support tubes to the base legs.

7



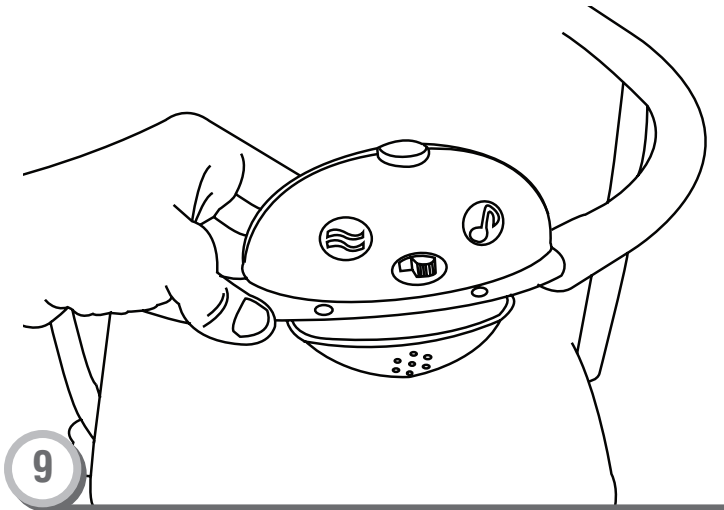
- Locate the four (x4) casters.
- Insert the casters into the base legs. Push down until you hear the caster "click" into place.
- Pull up on the caster to assure it is properly attached to the bassinet.

8

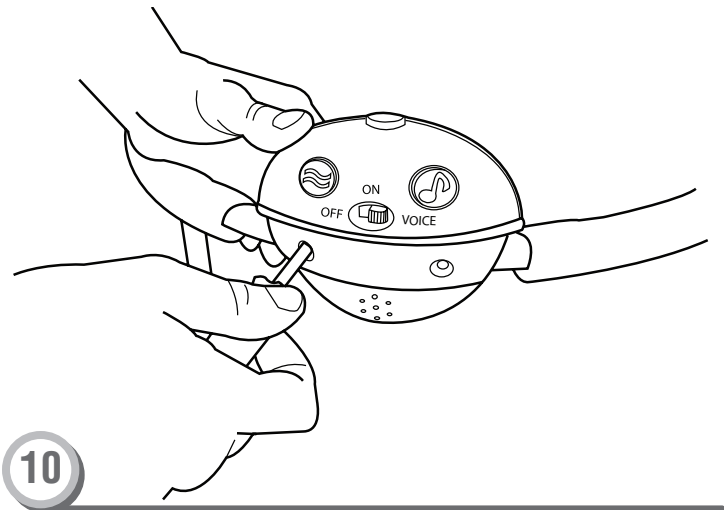


- Turn the assembly upright.
- Check to be sure the legs are secure. While gently holding the base down, pull out on the top rail. The complete frame assembly should remain intact.

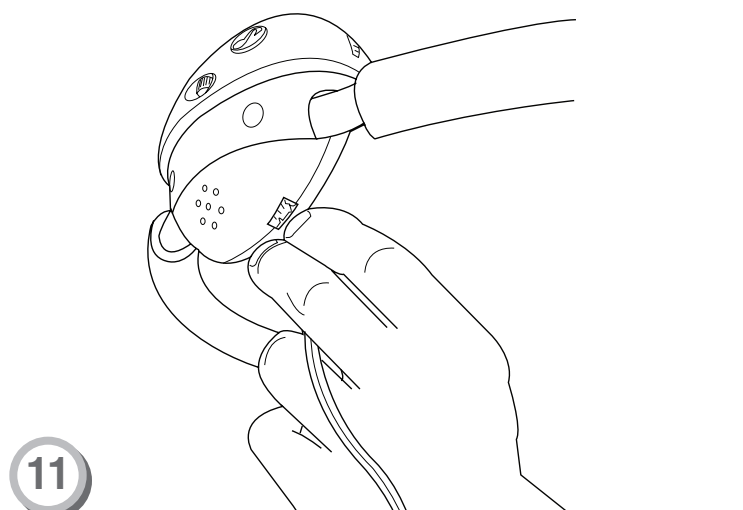
Attaching Music Module (Bassinet Assembly)



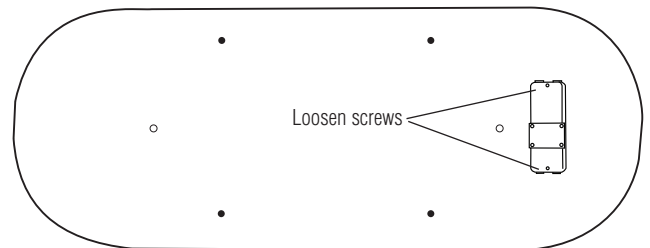
- To attach Music Module, remove screw plate in Music Module.



- Position Music Module onto mattress support frame and reattach screw plate.



- Plug battery power line on underside of mattress support to Music Module.

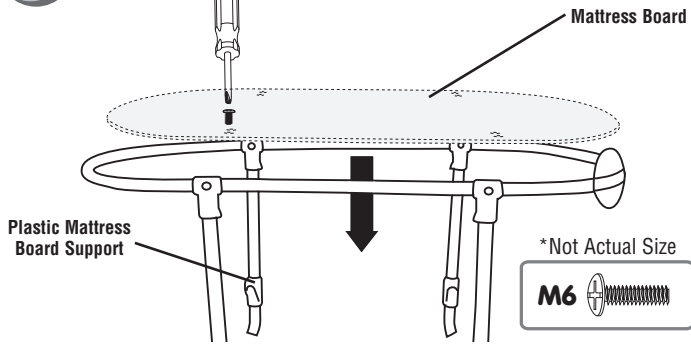


- Locate battery Compartment on underside of Mattress Support. Loosen screws in Battery Compartment with Phillips Head screwdriver.
- Lift to remove door. Insert four (4) "AA" alkaline batteries.
- Replace door and tighten screws.

HINT: We recommend using Alkaline batteries for longer battery life.

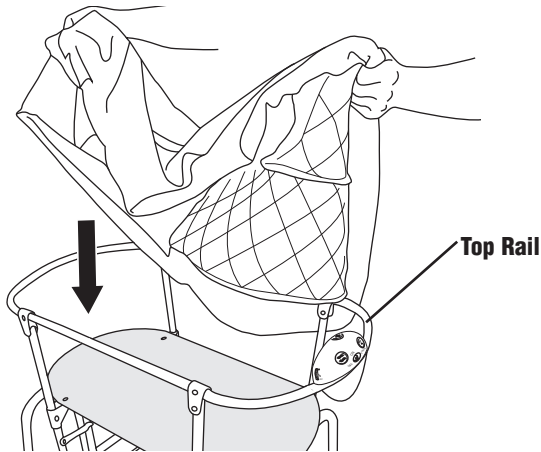
Bassinet Assembly

13



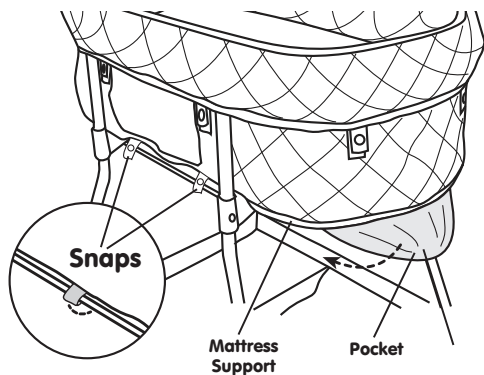
- Locate the mattress board and four (x4) M6 X 2cm screws.
- Place the mattress board into the frame lining up the four through holes with the plastic mattress board support nuts.
- Using a screw driver and four (x4) M6 X 2cm screws, tighten the mattress board onto the plastic mattress board supports.

14



- Locate the fabric liner.
- Align the holes on the fabric liner with music module.
- Place the liner onto the frame. Make sure warning is centered at the end of bassinet.

15



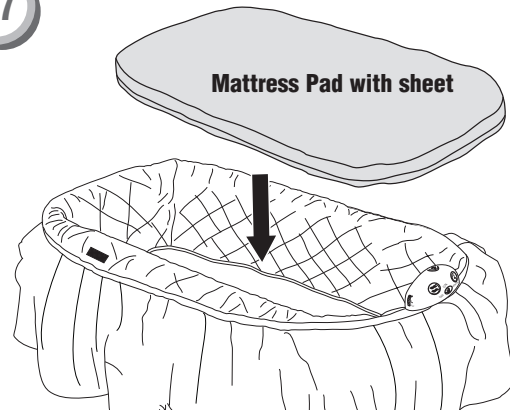
- Stretch the pockets on the bottom of the liner around the ends of the mattress support.

16



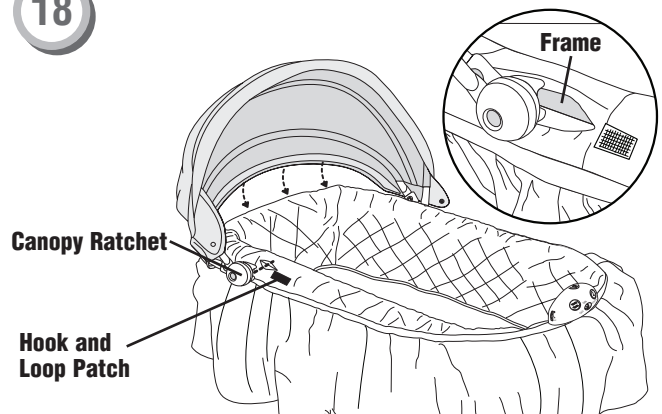
- Lift the skirt on the liner, snap all of the straps around the top of the frame.

17



- Place the sheet over the mattress pad.
- Place the mattress pad with sheet into the liner.

18



- Position the canopy over the top end of the bassinet opposite the warning label.
- Push aside foam to expose metal and push the canopy ratchet onto the frame on both sides of the bassinet.
- Fasten the hook and loop fasteners on the back edge of the canopy to the liner. Then fasten the hook and loop patches on each canopy flap to the side of the liner.

Consumer Information



WARNING

Read all instructions BEFORE assembly and USE of product. KEEP INSTRUCTIONS FOR FUTURE USE.

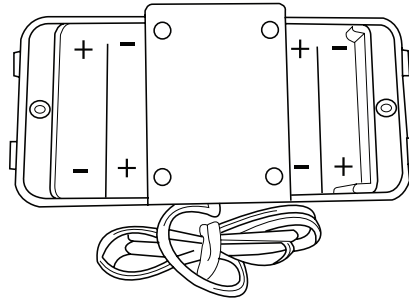
- A mobile is intended for visual stimulation and is not intended to be grasped by the child.
- From birth to 5 months.
- Possible entanglement injury.
- Keep out of baby's reach.
- Remove mobile from bassinet or cradle when baby begins to push up on hands and knees. Toys are not meant to be "mouthed" by the baby and should be positioned clearly out of reach of the baby's face and mouth.
- Adult assembly required.
- Always attach all provided fasteners (strings, straps, clamps, etc.) tightly to the bassinet according to the instructions. Check frequently.
- Do not add additional strings or straps to attach to the bassinet.
- The mobile is not intended for use in playpens or portable cribs.

CAUTION - Changes or modifications not expressly approved by the party responsible for compliance could void the user's authority to operate the equipment.

NOTE: This equipment has been tested and found to comply with the limits for a class B digital device, pursuant to Part 15 of the FCC Rules. These limits are designed to provide reasonable protection against harmful interference in a residential installation. This equipment generates, uses and can radiate radio frequency energy and, if not installed and used in accordance with the instructions, may cause harmful interference to radio communications. However, there is no guarantee that interference will not occur in a particular installation. If this equipment does cause harmful interference to radio or television reception, which can be determined by tuning the equipment off and on, the user is encouraged to try to correct the interference by one or more of the following measures:

- Reorient or relocate the receiving antenna.
- Increase the separation between the equipment and receiver.
- Connect the equipment into an outlet on a circuit different from that to which the receiver is connected.
- Consult the dealer or experienced radio/TV technician for help.

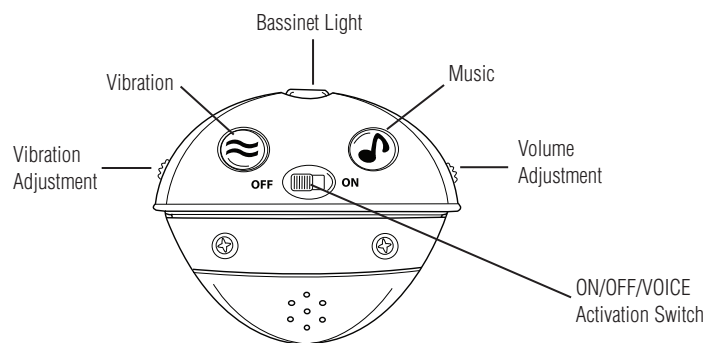
Battery Safety Information



In exceptional circumstances, batteries may leak fluids that can cause a chemical burn injury or ruin your product. To avoid battery leakage:

- Do not mix old and new batteries or batteries of different types: Alkaline, standard (carbon zinc) or rechargeable (nickel-cadmium).
- Insert batteries as indicated inside battery compartment.
- Remove batteries during long periods of non-use. Always remove exhausted batteries from the product. Dispose of batteries safely. Do not dispose of product in a fire. The batteries inside may explode or leak.
- Never short-circuit the battery terminals.
- Use only batteries of the same or equivalent type as recommended.
- Do not charge non-rechargeable batteries.
- Remove rechargeable batteries from the product before charging.
- If removable, rechargeable batteries are used, they are only to be charged under adult supervision.

Music Module Operation



- To turn music box “ON,” move ON/OFF/VOICE ACTIVATION SWITCH to “ON.”
- To activate VOICE mode, move ON/OFF/VOICE ACTIVATION SWITCH to right.”

NOTE: On some models

- Activate BASSINET LIGHT by pressing BASSINET LIGHT button.

NOTE: Light will stay on in 5-minute cycles, unless button is pressed before 5 minutes are up.

- Press VIBRATION button to activate VIBRATION. The strength can be adjusted with VIBRATION ADJUSTMENT knob on left.

NOTE: Vibration will stay on in 5-minute cycles, unless button is pressed before 5 minutes are up.

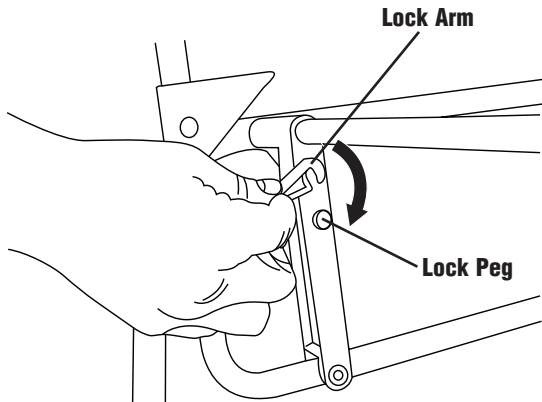
NOTE: On some models

- Press MUSIC button to activate MUSIC. Press button multiple times to cycle through two (2) modes of music; one to musical chimes and back to “OFF.” VOLUME can be adjusted with VOLUME ADJUSTMENT knob on right.

- To turn music box “OFF,” move ON/OFF/VOICE ACTIVATION SWITCH to “OFF”.

Locking/Unlocking Bassinet

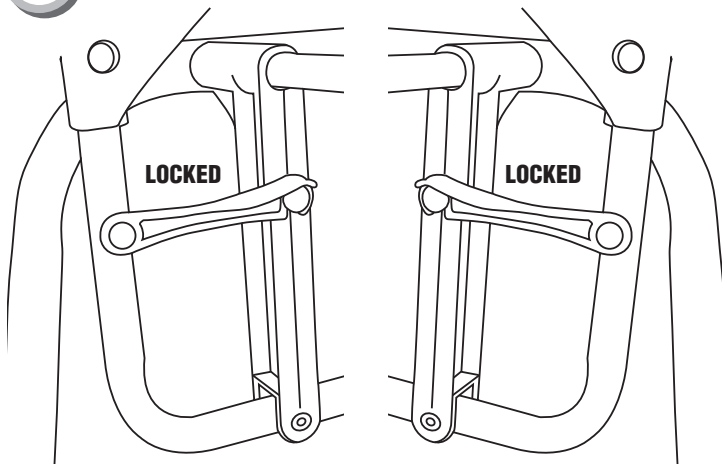
1



- To lock the gliding mechanism, rotate the red lock arm clock wise and snap the lock arm onto the lock peg.

NOTE: There is a lock on both sides of the bassinet.

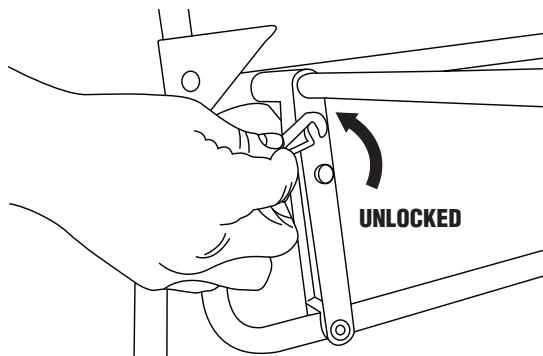
2



HINT: Locks are located on opposite corners of the bassinet frame.

- Repeat lock procedure on other side of the bassinet.

3



- To unlock the gliding mechanism rotate the red lock arm counter clock wise and off the lock peg.

NOTE: Remember to unlock both sides of the bassinet.

Care

- The frame, mattress pad, storage basket, canopy, mobile and mobile arm may be wiped clean using a mild cleaning solution and a damp cloth. Do not use bleach. Do not use harsh or abrasive cleaners. Rinse clean with water to remove residue. Do not immerse the frame.
- The sheet is machine washable. Wash it separately in cold water on the gentle cycle. Do not use bleach. Tumble dry separately on low heat and remove promptly.
- Always store product in a clean and dry place.

Manufactured for and distributed by:

Delta[™]
Children's Products

114 West 26th Street, New York, NY 10001



Customer Service

Tel. 1-(800)-377-3777

www.DeltaChildrensProducts.com

customerservice@DeltaChildrensProducts.com

MADE IN CHINA