

LX PLAYARD
26201-XXX PYV6
ASSEMBLY INSTRUCTIONS
ADULT ASSEMBLY REQUIRED

DeltaTM
Children's Products

Styles and colors may vary



**IMPORTANT: READ ALL INSTRUCTIONS BEFORE ASSEMBLY AND USE OF THE PRODUCT.
KEEP THE INSTRUCTIONS FOR FUTURE REFERENCE.**

Customer Care Tel. 1-(800)-377-3777

(F)

www.DeltaChildrensProducts.com

DCP Cat # 03-19-13-V6

Consumer Information



WARNING

WARNING: Failure to follow these warnings and the instructions could result in serious injury or death (keep the instructions for future reference).

Before assembling this playard read and understand the instructions, incorrect assembly may make the playard unsafe.

SUFFOCATION HAZARD – Infants have suffocated:

- In gaps between extra padding and side of the bassinet and
- On soft bedding

Use only the pad provided by manufacturer.

NEVER add a pillow, comforter, or another mattress for padding.

- **Never leave infant in product with sides down.** Infant may roll into spaces between pad and loose mesh side causing suffocation.
- Strings can cause strangulation! Never place items with a string around a child's neck such as hood strings or pacifier cords. Never suspend strings over product or attach strings to toys.
- The product, including side rails, must be fully erected prior to use. Make sure latches are secure.
- Never leave infant in the product with the top rail latches unlatched in the unlocked position. Be sure top rail latches are raised and latched into the locked position whenever the child is in the product.
- Discontinue use of the product when child is able to climb out or reaches the height of 35 in (890 mm).
- Never place product near a window where cords from blinds or drapes can strangle a child. **DO NOT** place the playard near trailing cables or hanging cords.
- Always provide the supervision necessary for the continued safety of your child. When used for playing, never leave child unattended.
- **DO NOT** use the playard if the fabric on the side rail or end rails has been ripped or torn through.
- Use only the pad provided by the manufacturer. Playard pad dimensions are 38.5 in (978mm) long by 27.5 in (699mm) wide.
- To reduce the risk of Sudden Infant Death Syndrome (SIDS), pediatricians recommend healthy infants be placed on their backs to sleep, unless otherwise advised by your physician.
- Never use plastic shipping bags or other plastic film as mattress covers not sold and intended for that purpose. They can cause suffocation.
- Never use a water mattress with this product.
- Keep medication and small items that a child could choke on away from the playard.

Consumer Information



WARNING

- Use this product with only one child at a time.
- Maximum weight limit for the changer is 25 lb (11kg)
- Maximum weight limit for the bassinet is 15 lb (6.8kg)
- Child can become entrapped and die when improvised netting or covers are placed on top of a play yard. Never add such items to confine child in play yard.
- When child is able to pull to standing position, remove bumper pads, large toys, and other objects that could serve as steps for climbing out.

INFORMATION

IMPORTANT! Never use this product if there are any loose or missing fasteners, loose joints, broken parts, or torn mesh/fabric. Check before assembly and periodically during use. Contact Delta Children's Products for replacement parts. Never substitute parts.

Manufactured for and distributed by:



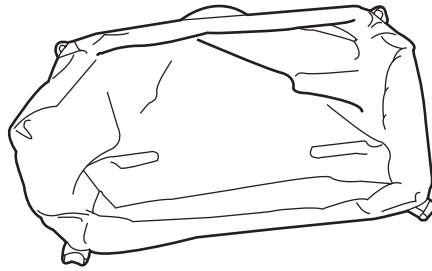
114 West 26th Street, New York, NY 10001

Parts

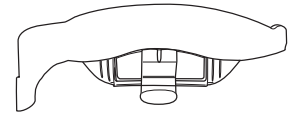
IMPORTANT! Please remove all parts from the package and identify them before assembly.



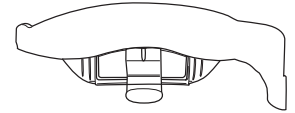
Playard



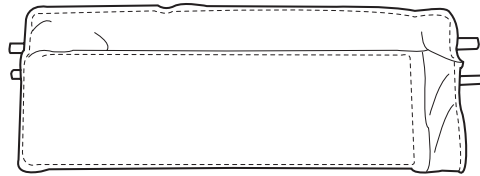
Bassinet



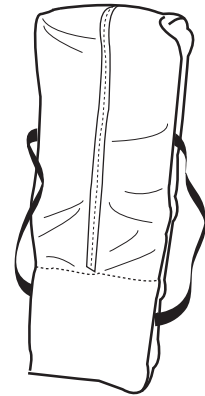
Changing Table Retainer (Right)



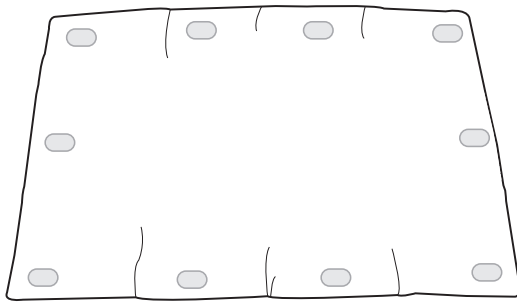
Changing Table Retainer (Left)



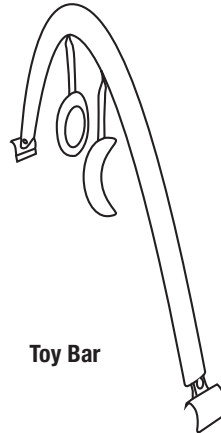
Changing Table



Travel and Storage Bag

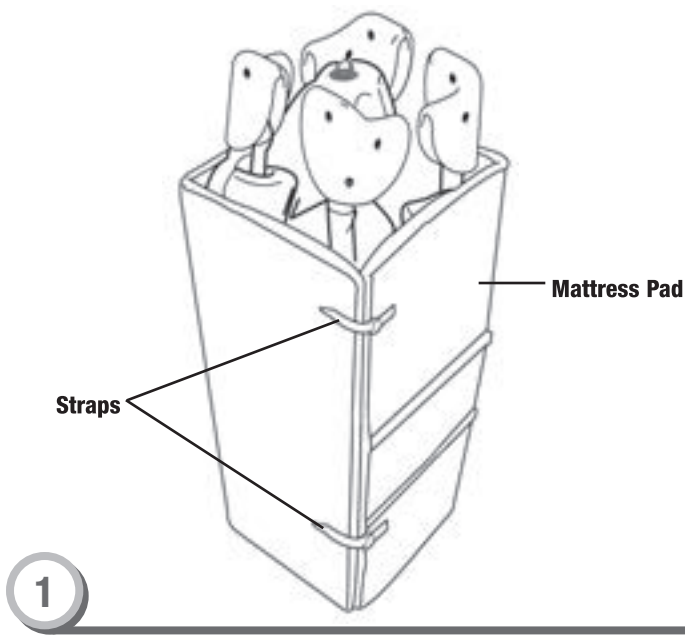


Mattress Pad

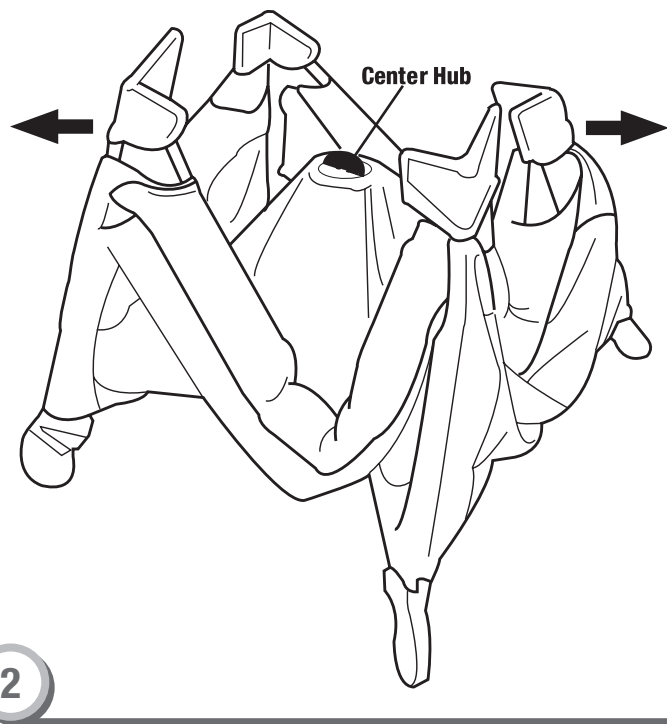


Toy Bar

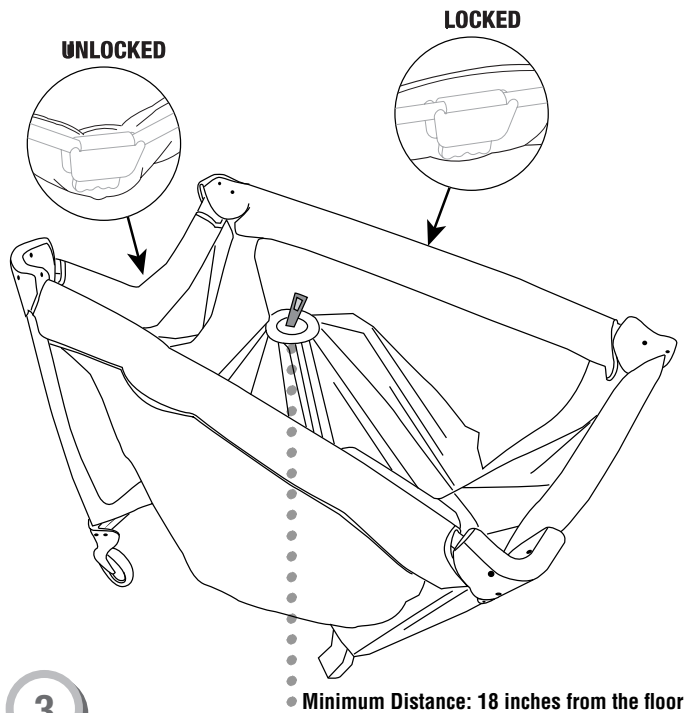
Playard Assembly and Use



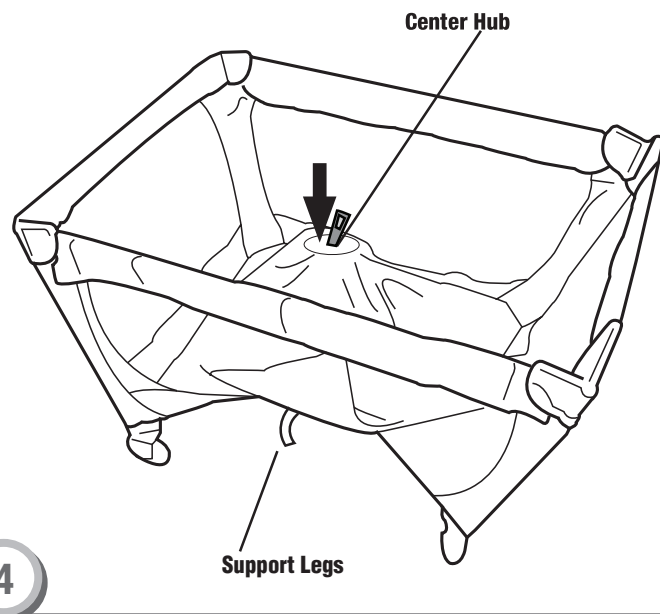
- Unfasten the straps on the mattress pad.
- Remove the bassinet, toy bar, and the playard from inside the mattress pad.



- Carefully pull the end rails out.
- IMPORTANT!** Do not push down on the center hub. you will do this in step 4.

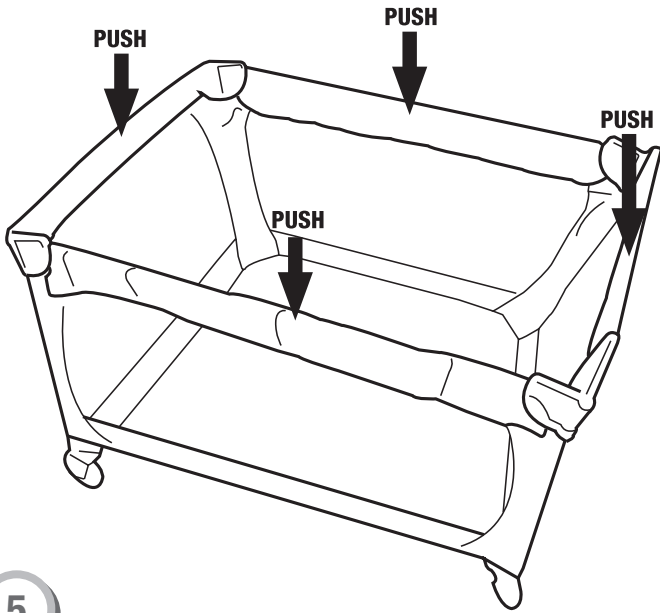


- Make sure the center hub is raised at least 18 inches.
- Grasp the center of each side rail and end rail then lift to “SNAP” into the locked position.
- If “snapping” of the side rail and end rail locks does not occur easily, recheck that the center hub is up to recommended height before proceeding.



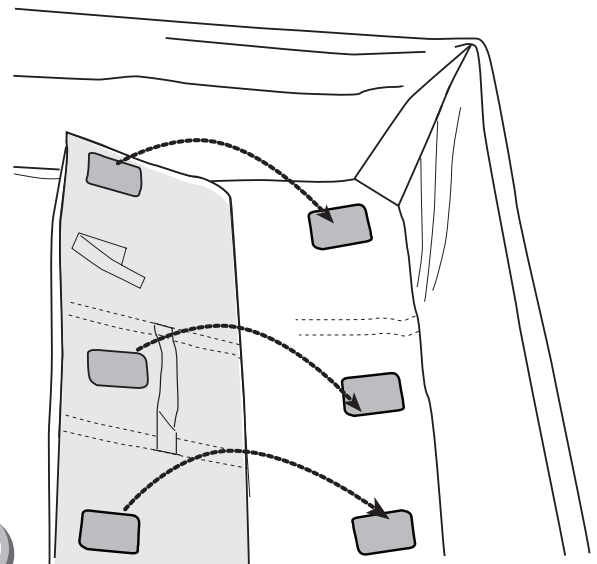
- IMPORTANT!** Before pushing down the center hub into a locked position, check that the support legs are positioned flat on the floor to successfully lock down the center hub.
- Press down on the center hub to lock it into the use position.

Playard Assembly and Use



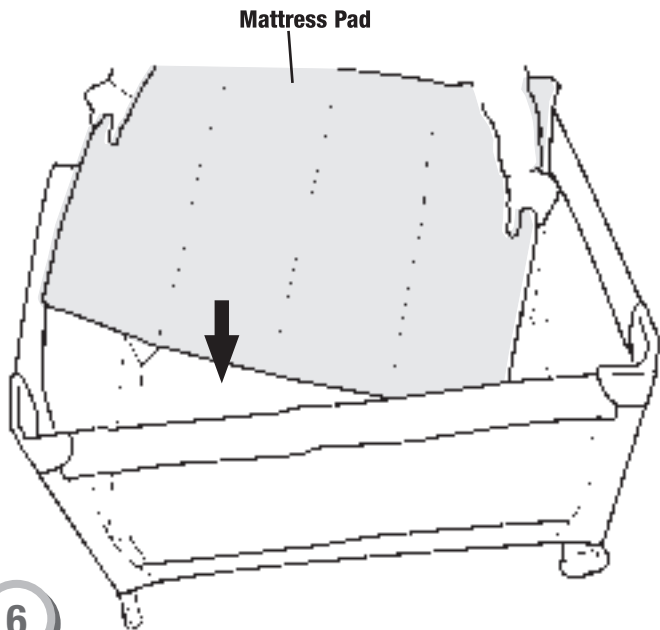
5

IMPORTANT! Check to be sure the playard frame is secure. Push down on the sides and end rails.



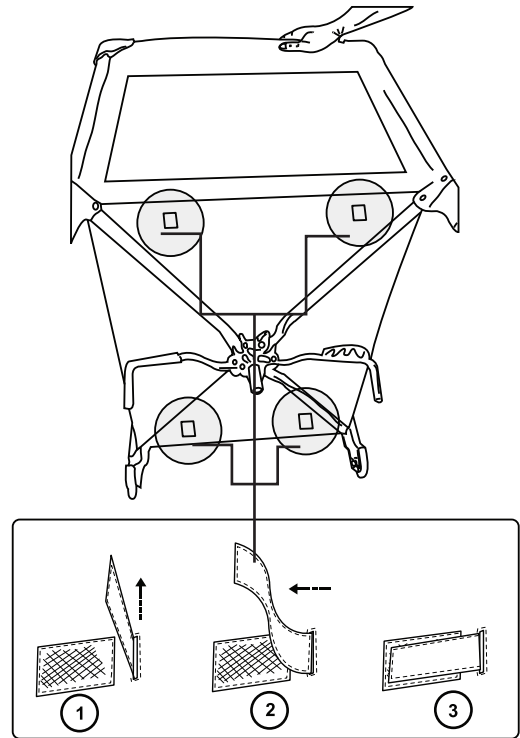
7

- Fit all four corners of the mattress pad into the corner in the base of the playard.
- Push down on the mattress pad to attach all fabric fasteners.



6

- Place mattress pad in the playard.



8

- Pull through hook and loop straps through the slots at the bottom of the playard. Fasten straps as shown in illustration. **WARNING:** Make sure both hook and loop straps are firmly attached.

Bassinet Assembly and Use



WARNING

WARNING: Failure to follow these warnings and instructions could result in serious injury or death.

- **FALL HAZARD** -To help prevent falls, do not use the bassinet feature of this product when the infant begins to push up on hands and knees or has reached manufacturer's recommended maximum weight of 15 lbs (6.8kg), or can roll over, whichever comes first.

SUFFOCATION HAZARD - Infants have suffocated:

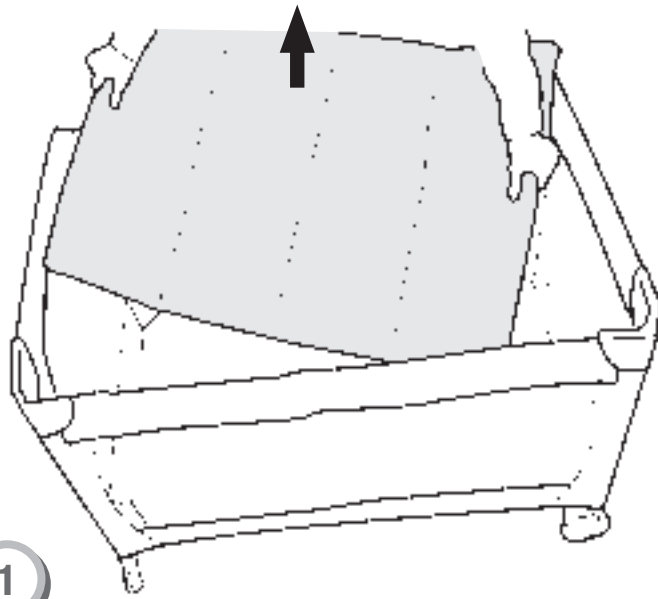
- In gaps between extra padding and side of the bassinet and
- On soft bedding

Use only the pad provided by manufacturer.

NEVER add a pillow, comforter, or another mattress for padding.

- **STRANGULATION HAZARD** -Never leave bassinet attachment in place when child is in playard.
- If using a mattress sheet use only one specifically designed to fit the dimensions of the bassinet mattress pad provided by the manufacturer.
- Use only the pad provided by the manufacturer. Playard pad dimensions are 38.5 in (978mm) long by 27.5 in (699mm) wide.
- Side rails must be erect and latched prior to use. Failure to latch may result in child falling out of bassinet or becoming entrapped.
- To reduce the risk of Sudden Infant Death Syndrome (SIDS), pediatricians recommend healthy infants be placed on their back to sleep, unless otherwise advised by your physician.
- Use bassinet with only one child at a time.
- DO NOT store the bassinet in the playard while in use.
- To help prevent heat build-up inside the playard and to avoid overheating your child when using the bassinet, do not use as an outdoor canopy.
- The bassinet must be fully assembled and installed, including four metal tubes, corner clips, and mattress pad before using. Make sure the bassinet clips are fully engaged underneath each corner of the playard.
- Strings can cause strangulation! DO NOT place items with a string around a child's neck, such as hood strings or pacifiers cords. DO NOT suspend strings over a product or attach strings or toys.
- DO NOT place the playard near trailing cables or hanging cords.

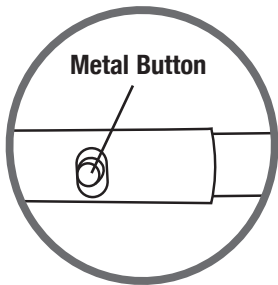
Bassinet Assembly and Use



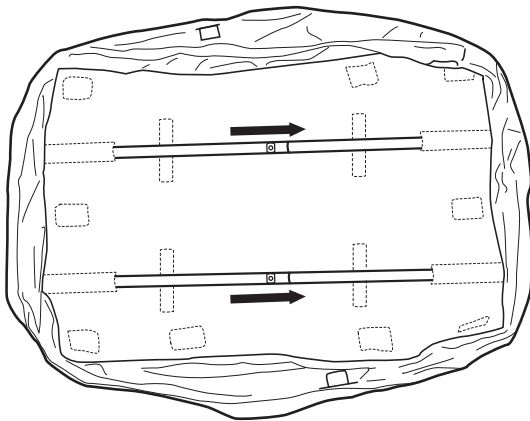
1

NOTE: Remove the mattress pad used in the playard for use in the bassinet.

- Lift to unfasten the fabric fasteners on the underside of the mattress pad and remove.

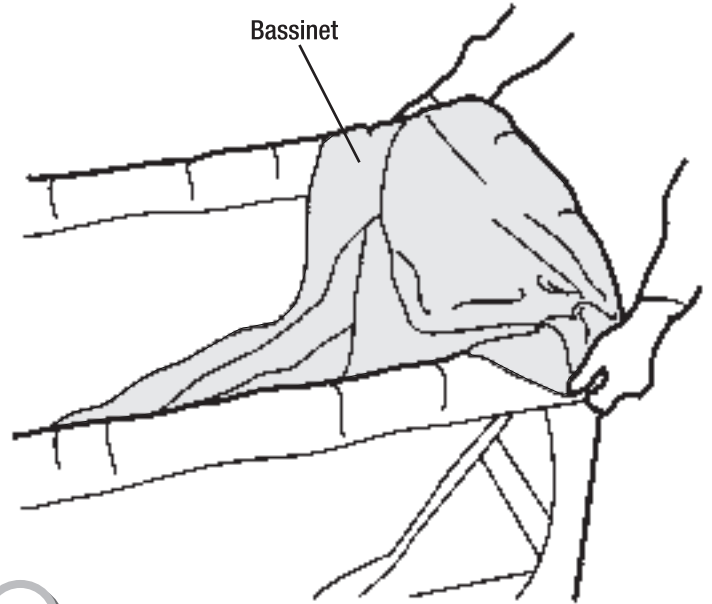


Metal Button



2

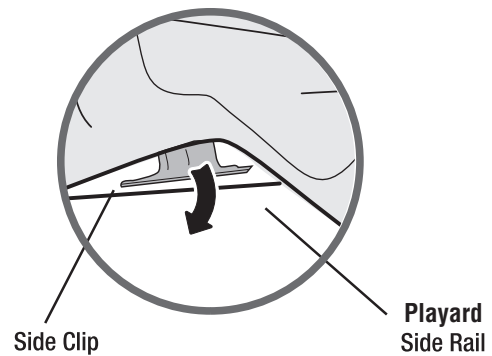
- Place bassinet on a flat surface with the bottom facing up.
- Pull out the support tube till the button “CLICKS” into its locked position.
- Repeat above step to extend and lock the other support tube.



Bassinet

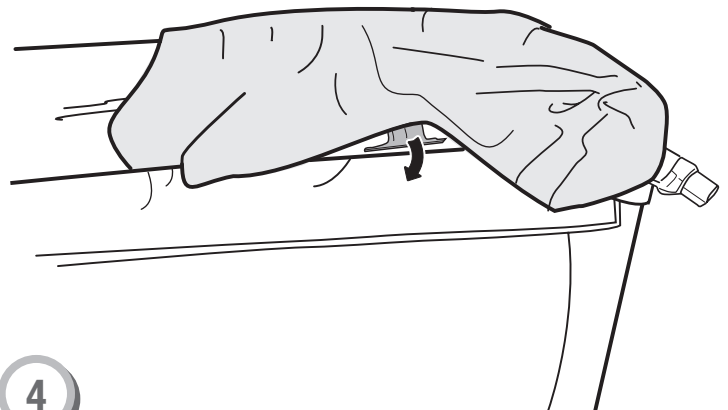
3

- With the bassinet support tubes facing down, place the bassinet over the top of an end rail on the playard.



Side Clip

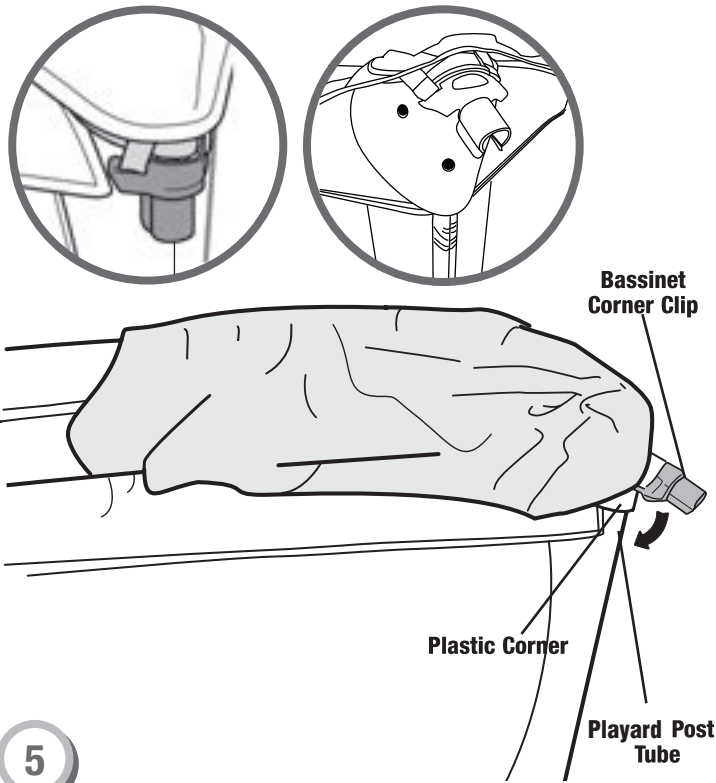
Playard Side Rail



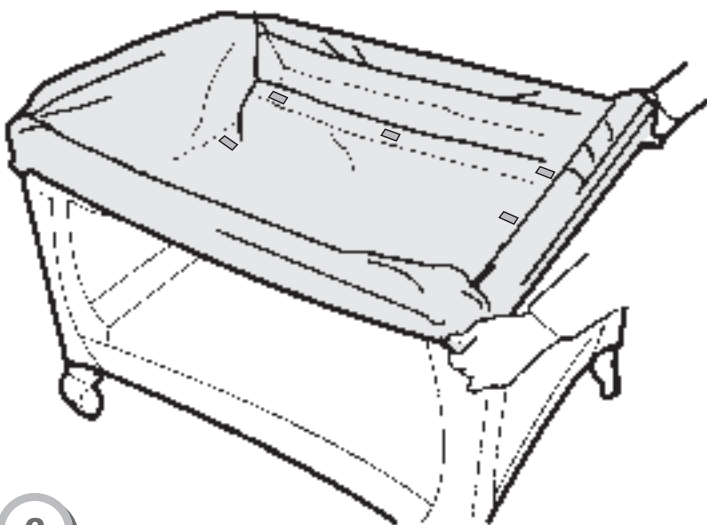
4

- Fit four (x4) bassinet side clips over the playard side rails and fit other four (x4) bassinet side clips over the playard end rails.

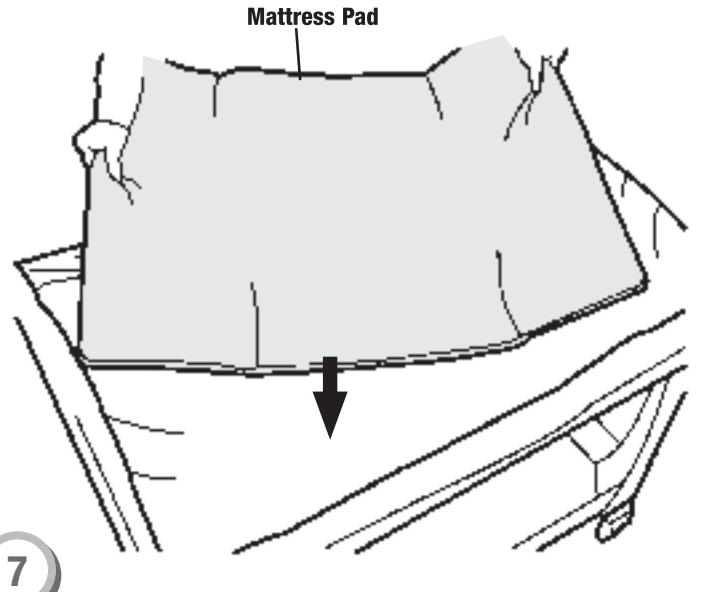
Bassinet Assembly and Use



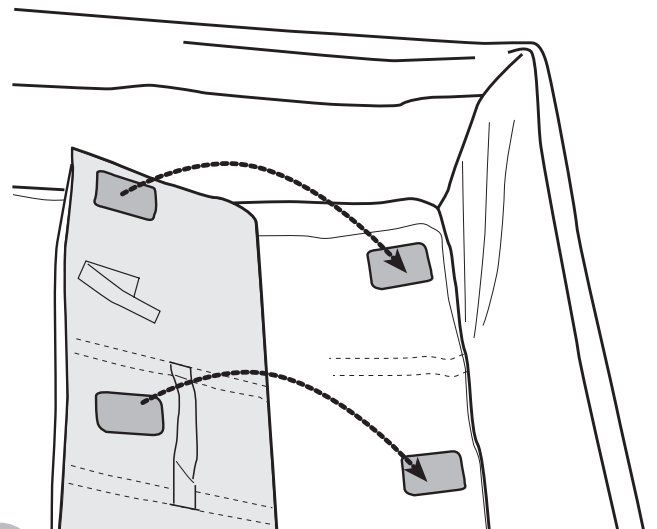
- Pull a bassinet corner clip down and “SNAP” it onto a playard post tube.
- Make sure the bassinet corner clip is firmly attached to the playard post tube and it is pushing up against the bottom edge of the plastic corner.
- Repeat this step to attach the bassinet corner clip to the other side of the playard post tube.



- Stretch to fit the other end of the bassinet over the other end rail on the playard.
- Repeat step 5 to attach the remaining two bassinet corners clips to the playard.



- Place the mattress pad into the bassinet.



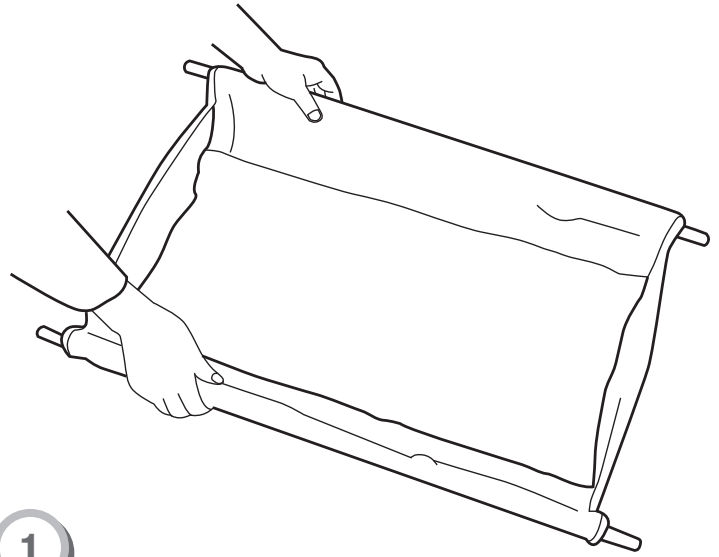
- Push down on the mattress pad to attach all the fasteners.

Changing Table Assembly and Use

WARNING

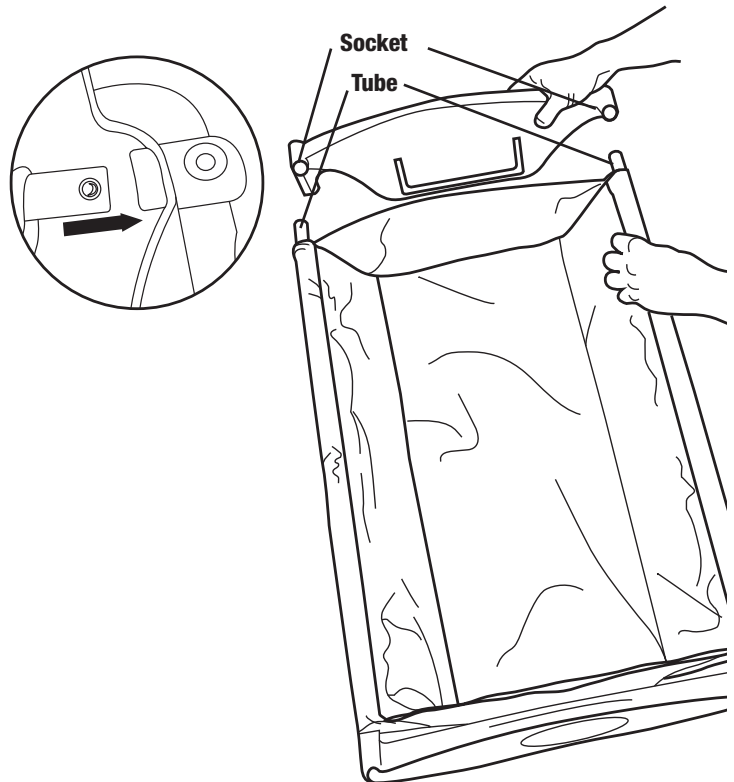
Failure to follow these warnings and the assembly instructions could result in serious injury or death. Please save manual for future use as it contains important information. Please read these instructions before use of this product.

- **FALL HAZARD** - To prevent death or serious injury, always keep child within arm's reach.
- Never leave child unattended.
- The changing table is designed for use only with this playard. DO NOT use on the floor, bed, counter or other surfaces. Before each use make sure the changing table is properly secured to the playard by pushing down firmly in the middle of the changing table.
- DO NOT use the changing table if it is damaged or broken.
- DO NOT use bassinet when using changing table.
- **IMPORTANT** - DO NOT remove the changing table from the playard with your child in it.
- **STRANGULATION HAZARD**
– **Infants can suffocate:**
 - REMOVE changing table after each use.
 - Always attach changing table securely. If changing table is not secured, child in playard/ non-full size crib can lift or shift changing table and get neck trapped between changing table and non-full size crib/playard frame.
- **ENTRAPMENT HAZARD**
 - Never leave the changing table in place when child is in playard.
 - Weight limit for the changing table is 25 lbs. (11kg).
 - NEVER use changing table as a sleeping or play area.
 - DO NOT use the changing table as extra storage.



1

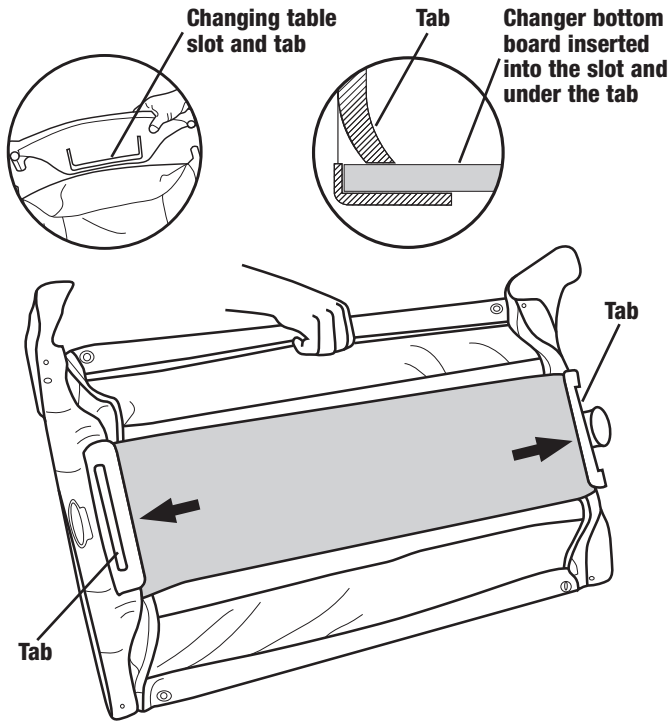
- Open the changing table and place on a flat surface.



2

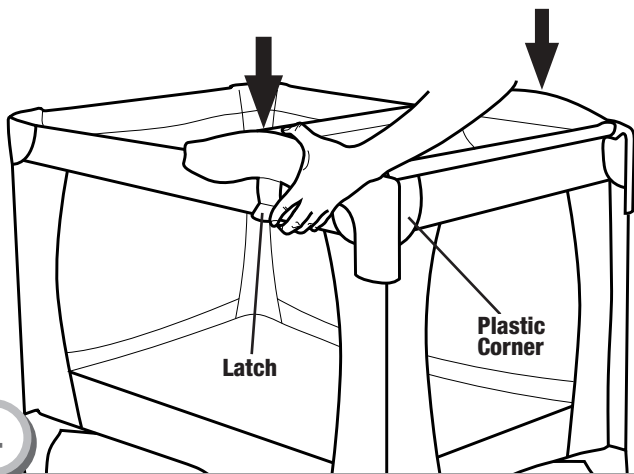
- Fit the tubes on one side of the changing table into the sockets on a changing table retainer. Push together until they “CLICK” into place.
- Pull on the changing table retainer to make sure they are securely attached.

Changing Table Assembly and Use



3

- Turn the changing table over.
- Insert the changer bottom board into the slot and under the tab on the changing table restraints.

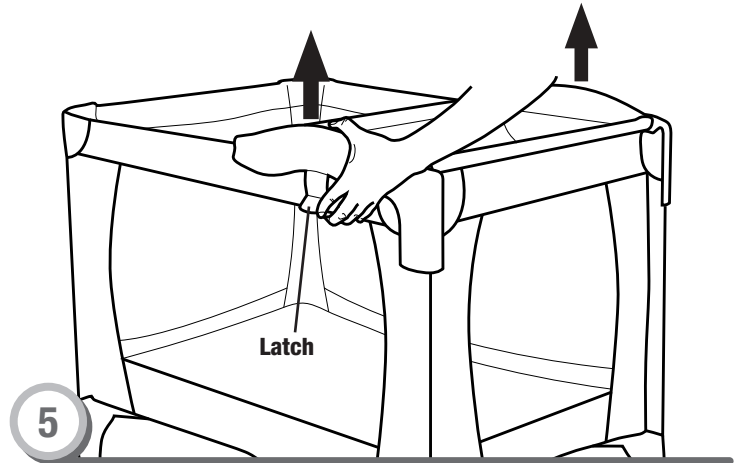


4

- Turn the changing table upright.
- Place the changing table over both plastic corners on one end of the playard.
- Push down on the changing table to attach the latch on the sides of the changing table to the brackets beneath the top rail fabric. You will hear a "CLICK"
- Pull up on the changing table to make sure it is securely attached.

NOTE: Before each use, make sure the latch on the changing table is securely fastened.

Customer Service Tel. (800) 377-3777

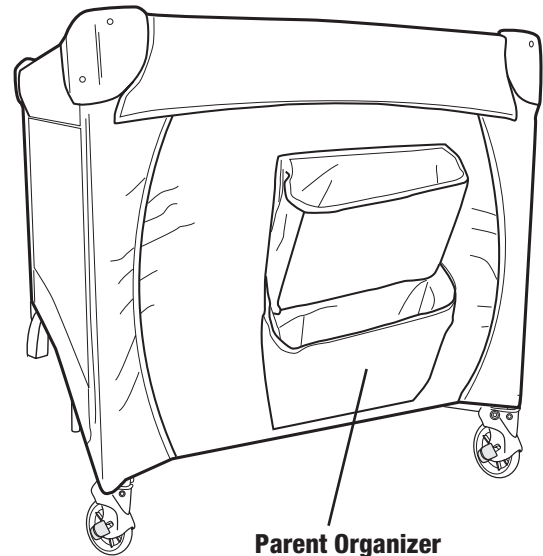


5

To remove the changing table from the playard.

- Pull out the latch on the side of the changing table.
- Lift the changing table off the playard.
- Store the changing table away from the playard when not in use.

Parent Organizer Use



6

- Maximum weight limit of parent organizer is 8 lbs (3.6kg).

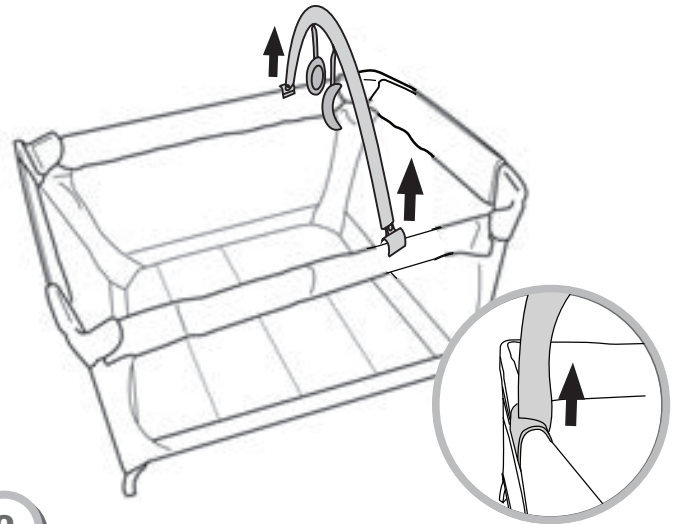
Mobile Assembly



WARNING

PREVENT ENTANGLEMENT INJURY

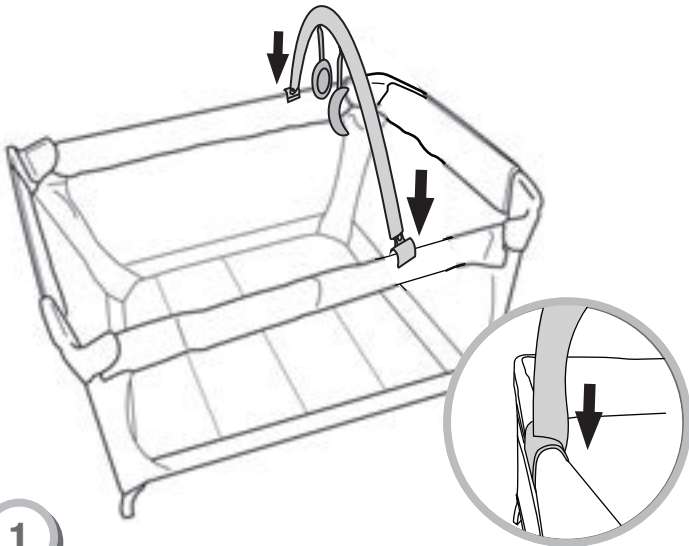
- Keep out of baby's reach.
- Remove mobile from playard when baby begins to push up on hands and knees.
- This mobile may not attach to all crib or playard designs, do not add additional strings or straps to a crib or playard.
- From birth to 5 months.
- The mobile is intended for visual stimulation and is not intended to be grasped by the child.
- Always attach all provided fasteners (strings, straps, clamps, etc.) tightly to the playard according to the instructions. Check frequently.



2

To Remove the Mobile Arm Assembly

- Pull up on the base of the toy bar and lift the toy bar off the top side rail.

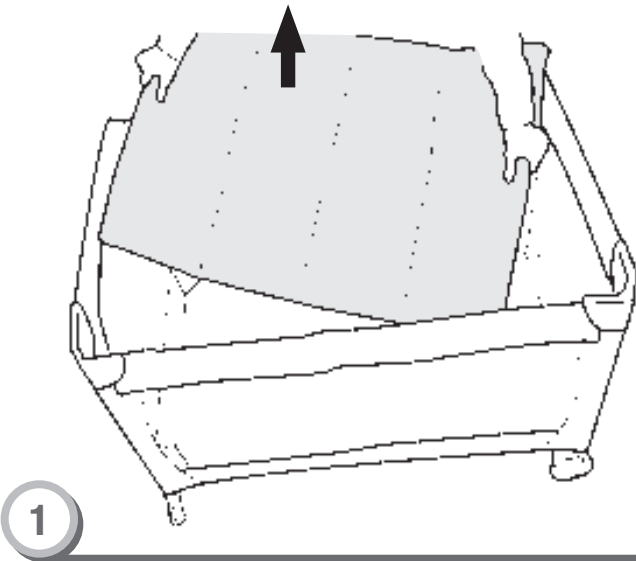


1

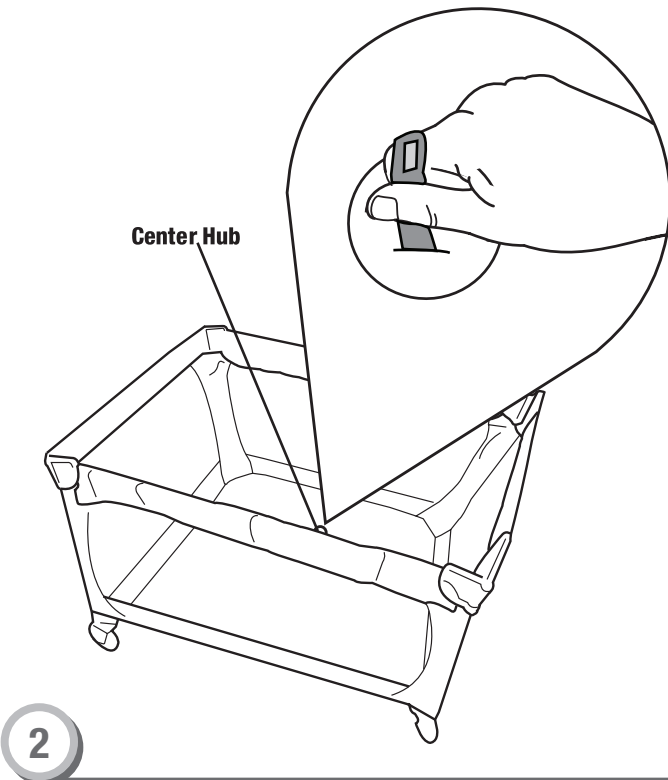
- Locate the toy bar and place anywhere on top side rail.
- Repeat above step to attach the other end of toy bar.

Folding the Playard

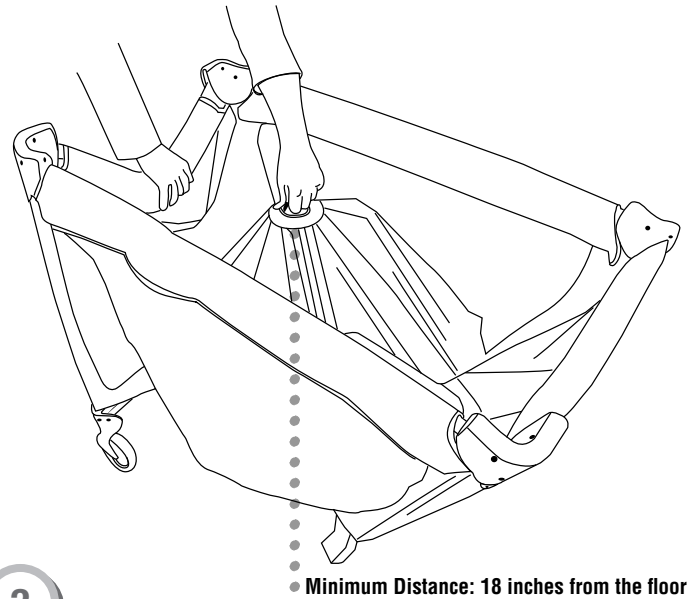
Note: You must remove the toy bar, changing table and bassinet before folding the playard.



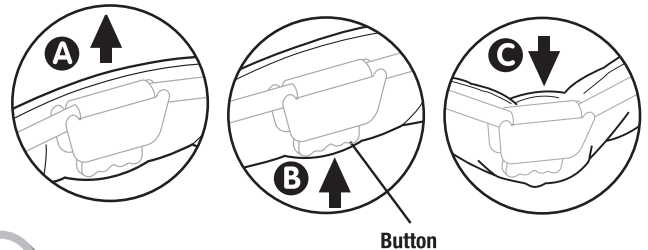
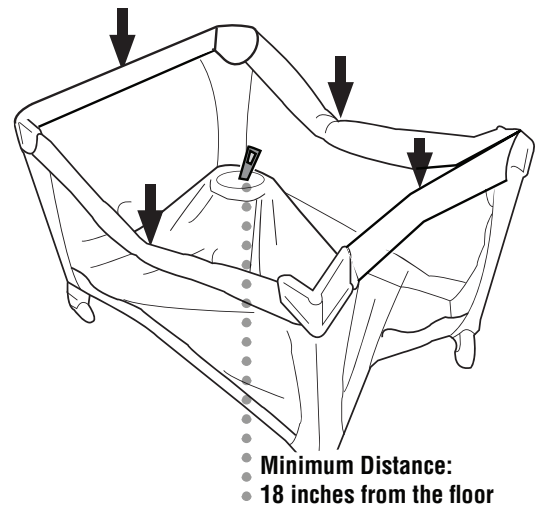
- Remove the mattress pad from the playard.
 - Lift to unfasten the fasteners on the underside of the mattress pad and remove.



- Locate the center hub inside the playard.
 - Pull up on hub cord to release the center hub lock.



- Lift the center hub.



- Make sure the center hub is raised at least 18 inches.
 - Lift the latch **A** Squeeze the button on the center of a side or end rail **B** Gently push down **C**

Note: Latches will not release unless you lift up rail center and squeeze the button at the same time.

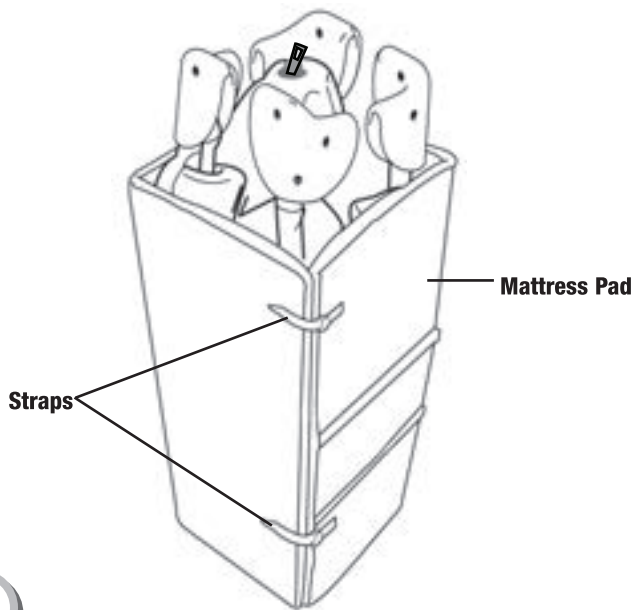
 - Repeat this procedure to release latches on the remaining three rail centers.

Folding the Playard



5

- Push all sides of playard in toward the center hub.



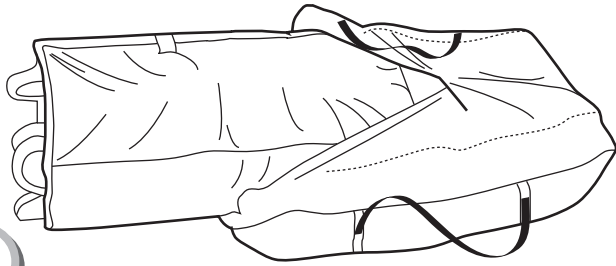
6

- Place the mattress pad on a flat surface with the soft side up.
- Place folded playard on the mattress pad.
- Place the folded bassinet and toy bar on top of the playard.
- Wrap the mattress around the playard.
- Fasten the straps on the mattress pad.

Storage/Travel Bag

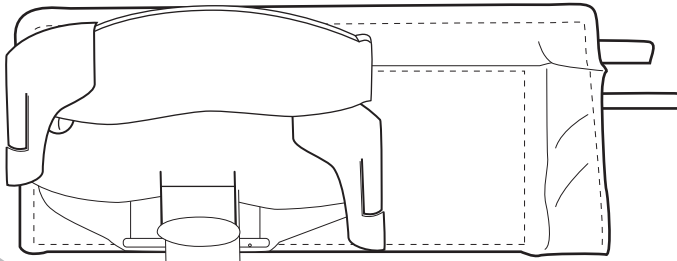
Care

- The frame, mattress pad, changing table, mobile, mobile arm and storage bag may be wiped clean using a mild cleaning solution and a damp cloth.
- Do not use bleach.
- Do not use harsh or abrasive cleaners.
- Rinse clean with water to remove residue.
- Do not immerse the product.
- The bassinet may be hand washed in cold water using a mild cleaning solution.
- Do not use bleach.
- Do not use harsh or abrasive cleaners.
- Drip dry.



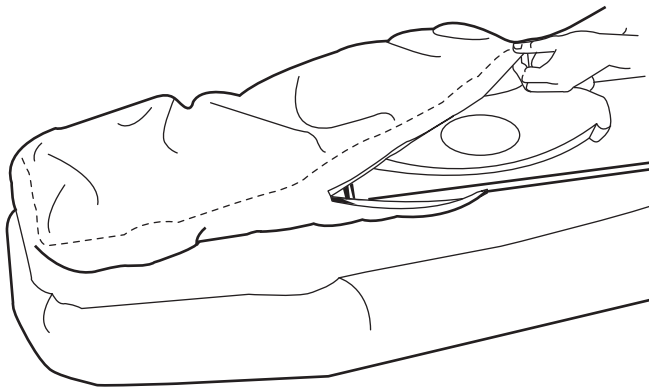
1

- Locate opening in storage bag.
- Slide the folded playard and mattress pad into the opening in the storage/travel bag.
- Close the zipper.



2

- Disassemble the changing table.



3

- Slide changing table into travel bag next to folded playard.

Manufactured for and distributed by:

Delta
Children's Products™

114 West 26th Street, New York, NY 10001



Customer Service

Tel. 1-(800)-377-3777

www.DeltaChildrensProducts.com

customerservice@DeltaChildrensProducts.com

MADE IN CHINA