

# Simmons Kids® Vancouver Collection

**A Crib 'N' More 262180**

Richly designed collection with wonderful hand carved details and curved lines. This Crib 'N' More is made of solid hardwood. Construction is "glued and screwed" for maximum strength and durability. 3-position mattress support easily adjusts to fit a growing child. Converts from crib to toddler bed to daybed to full-size bed. (Daybed conversion kit included; toddler guard rail & full-size bed rails available separately.)

**B Double Dresser 262170**

**C 6-Drawer Chest 262050**

Cases built with solid hardwood frames, parting rails and posts. Case construction is "glued and screwed" for maximum strength and durability. Wooden drawer boxes built using English dovetailed method. Drawers utilize side-mounted smooth roller glides with safety stops and steel drawer guides. Signature Simmons "soft detailing" employed on all edges and corners.

**D Night Stand 262020**

**E Hutch 262190**

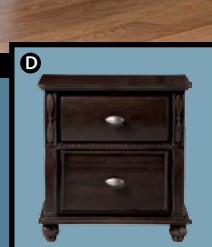
A perfect complement to the combo dresser, the combo hutch provides aesthetic appeal and additional storage. Hutch is constructed of solid hardwood and wood components. Features one permanent shelf and one removable shelf.

**F Toddler Guard Rail 180101**

**G Wood Bed Rails 180080**



Available as shown in (26) Labrosse Cherry



Night Stand



\*Toddler Guard Rail Sold Separately

Toddler Bed Conversion



Daybed Conversion



\*Wood Bed Rails Sold Separately

Full Size Bed Conversion



# Simmons Kids® Vancouver Collection

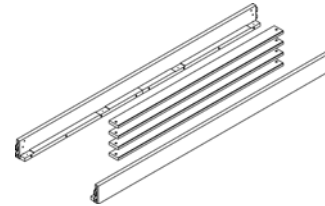


Sizes are approximate. ©2011 Simmons Kids® Furniture



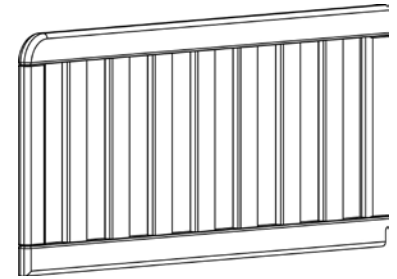
◀ Crib 'N' More No. 262180

W	H	D
59.44"	51.63"	31.25"



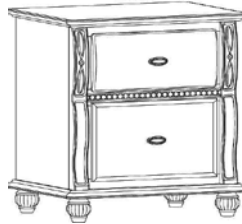
▲ Wood Bed Rails No. 180080

W	H	D
77.75"	5"	2.25"



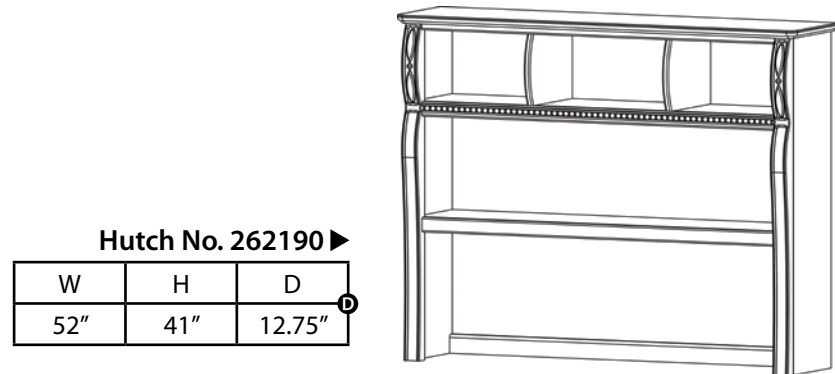
▲ Toddler Guard Rail 180101

W	H	D
27.94"	12"	.75"



Night Stand 262020 ▲

W	H	D
24"	25"	17.25"



Hutch No. 262190 ▶

W	H	D
52"	41"	12.75"



◀ 6-Drawer Chest 262050

W	H	D
37"	48"	19.75"

Double Dresser 262170 ▶

W	H	D
52"	36.5"	19.75"

