

ROCKING BASSINET

Model # 25201/35201 RBAV5

ASSEMBLY INSTRUCTIONS
ADULT ASSEMBLY REQUIRED

Delta™

Children's Products

Styles and colors may vary



IMPORTANT: Read all instructions before assembly and use of the product
Keep the instructions for future reference

Customer Care Tel. 1-(800)-377-3777

(E)

www.DeltaChildrensProducts.com

DCP Cat # 07-07-11-V5

Consumer Information



WARNING

Failure to follow these warnings and the instructions could result in serious injury or death.

- **Read all instructions before assembling unit.**

KEEP INSTRUCTIONS FOR FUTURE USE.

DO NOT USE THIS UNIT IF THE INSTRUCTIONS CANNOT BE STRICTLY FOLLOWED.

- Before each usage or assembly, inspect unit for damaged hardware, loose joints, missing parts or sharp edges. NEVER use this product if there are any loose or missing fasteners, loose joints, broken parts, or torn mesh/fabric. Check before assembly and periodically during use. Contact Delta Children's Product Customer Service Department at 1-800-377-3777 (8:00am ~ 4:30pm PST) for replacement parts, repair or instructions.
- **DO NOT** substitute parts.
- **FALL HAZARD**—To help prevent falls, DO NOT use this product when the infant begins to push up on hands and knees or has reached manufacturer's recommended maximum weight of 15lbs. (6.8kg), whichever comes first.
- Use bassinet with only one child at a time.
- Strings can cause strangulation! DO NOT place items with a string around a child's neck, such as hood strings or pacifier cords. DO NOT suspend strings over a product or attach strings to toys.
- **SUFFOCATION HAZARD:** Infants can suffocate:
 - In gaps between an extra pad and side of the bassinet/cradle.
 - On soft bedding.
- **NEVER** add a mattress, pillow, comforter or padding. Use ONLY the pad provided by the manufacturer.
- If a sheet is used with the pad, use only the one provided by the manufacturer or one specifically designed to fit the dimensions of the bassinet/cradle.
- To reduce the risk of SIDS, pediatricians recommend healthy infants be placed on their back to sleep, unless otherwise advised by your physician.
- Never use plastic shipping bags or other plastic film as a mattress covers not sold and intended for that purpose. They can cause suffocation.
- **DO NOT** place bassinet near a window where cords from blinds or drapes may strangle a child. Child may fall out of window.
- **DO NOT** place cords, straps or similar items that could become wound around a child's neck in or near the bassinet.

CARE AND MAINTENANCE

Check bassinet for worn parts, torn material or stitching periodically. Replace or repair the parts as needed. Use Delta replacement parts.

Manufactured for and distributed by:



114 West 26th Street, New York, NY 10001



Customer Service

Tel. 1-(800)-377-3777

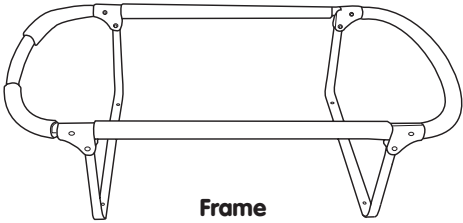
www.DeltaChildrensProducts.com

customerservice@DeltaChildrensProducts.com

MADE IN CHINA

Parts

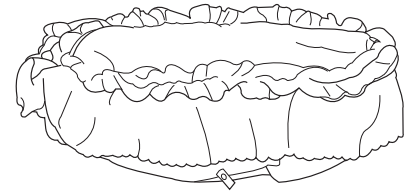
IMPORTANT! Please remove all parts from the package and identify them before assembly.



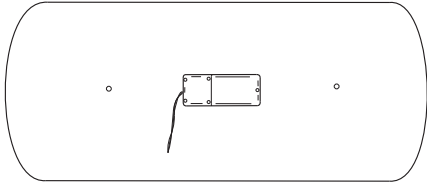
Frame



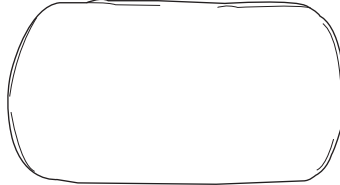
Base with Wheels - 2



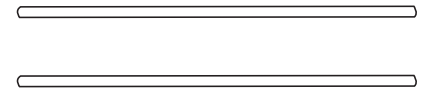
Liner



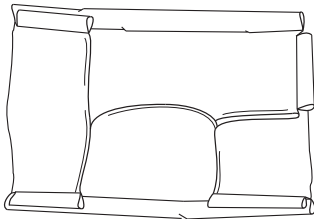
Mattress Support



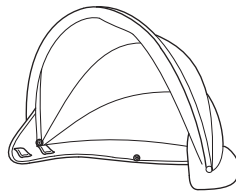
Mattress Pad



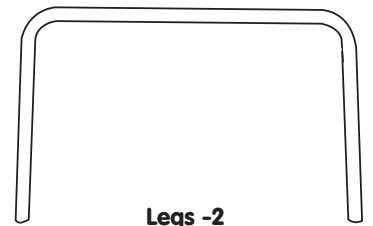
Cross Tubes - 2



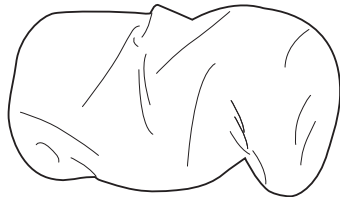
Storage Basket



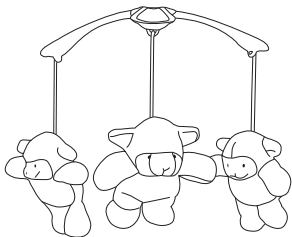
Canopy



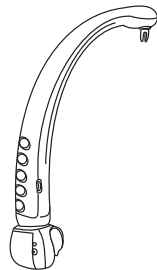
Legs - 2



Sheet



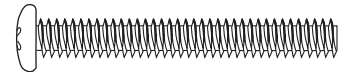
Mobile



Mobile arm



M5 X 2.6cm Screw - 2



M6 x 4cm Screw - 8



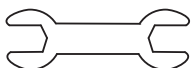
2.5.Pre-installed Screw in Mobile arm - 2



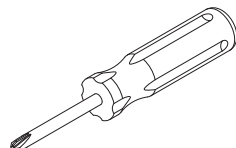
M5 Lock Nut - 2



M6 Lock Nut - 4



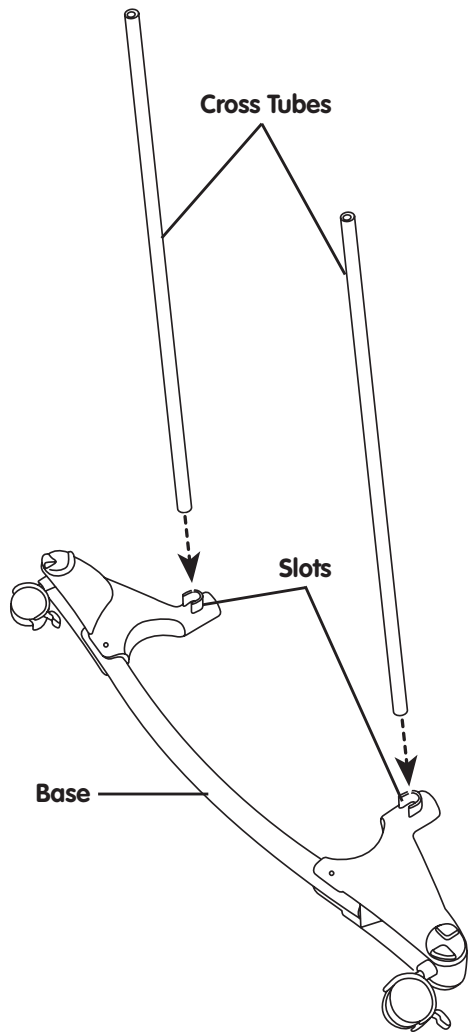
Wrench



Screwdriver

Shown Actual Size

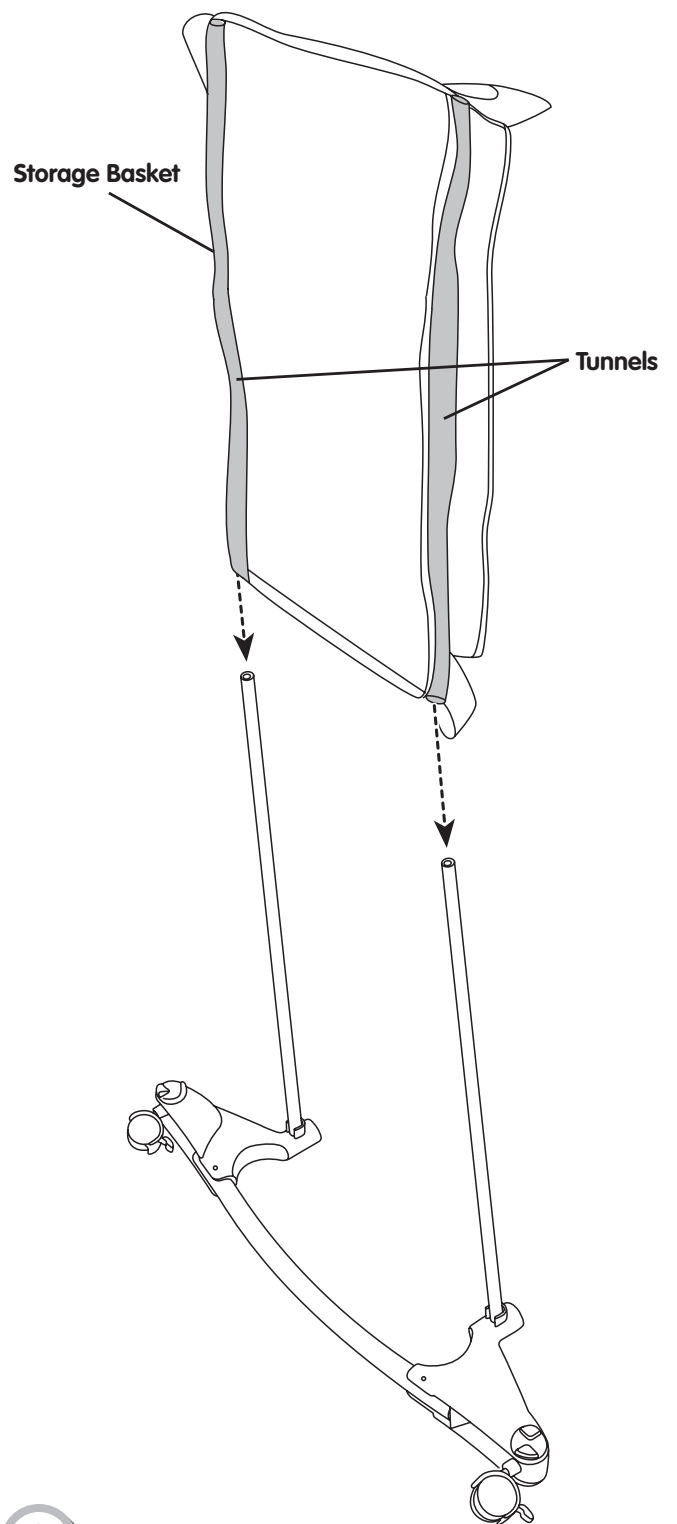
Bassinet Assembly



1

Note: You may need the help of another adult to help steady all parts for assembly.

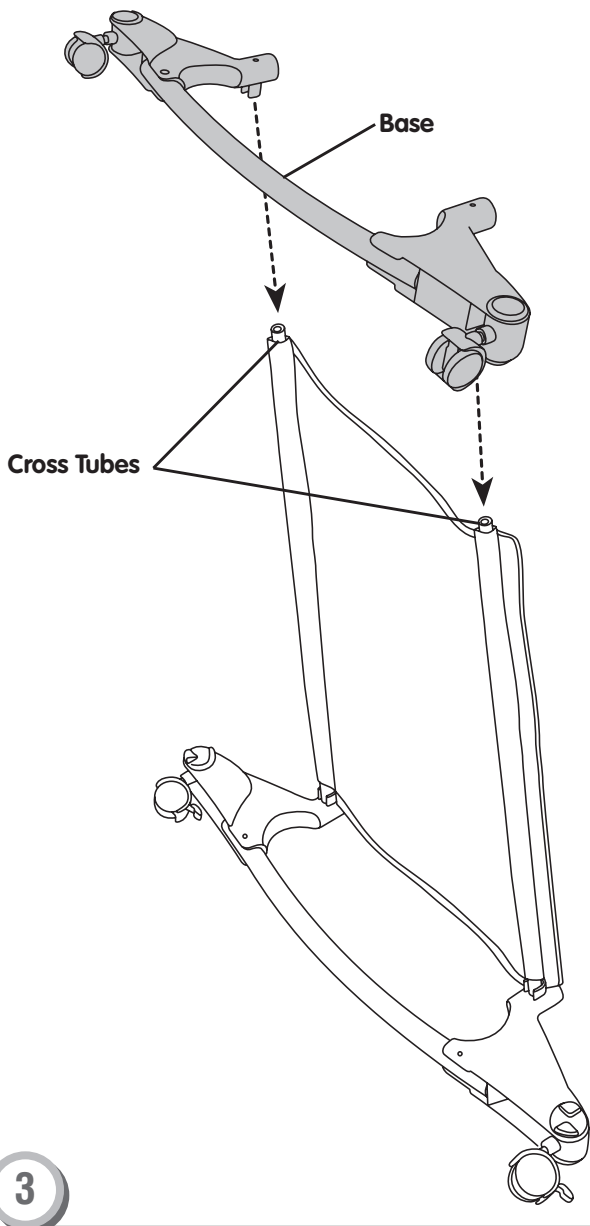
- Place a base on a flat surface with the slots facing up.
- Fit a cross tube into each slot. Push down on each tube to be sure it is in place.



2

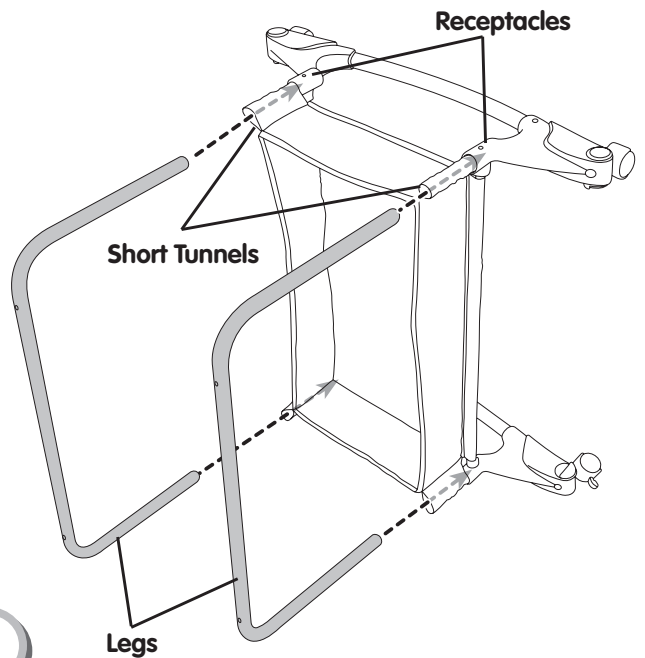
- Position the storage basket so that the pockets face away from you.
- Slide the storage basket fabric sleeves onto the cross tubes.

Bassinet Assembly



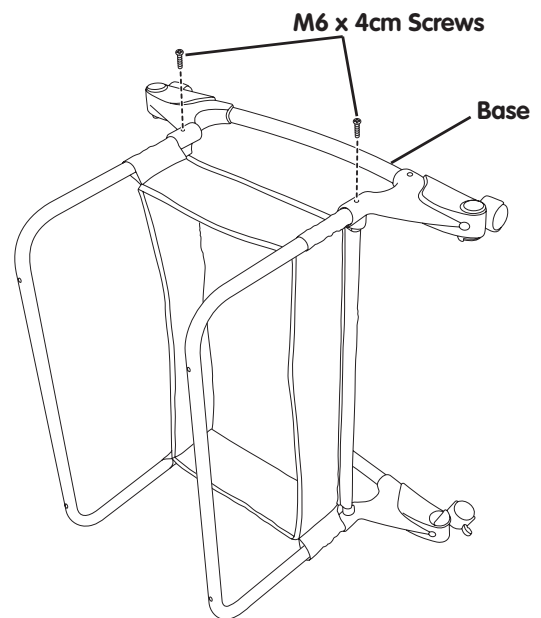
3

- Fill the other base slots onto the cross tubes. Push on the base near each cross tube to be sure it is in place.



4

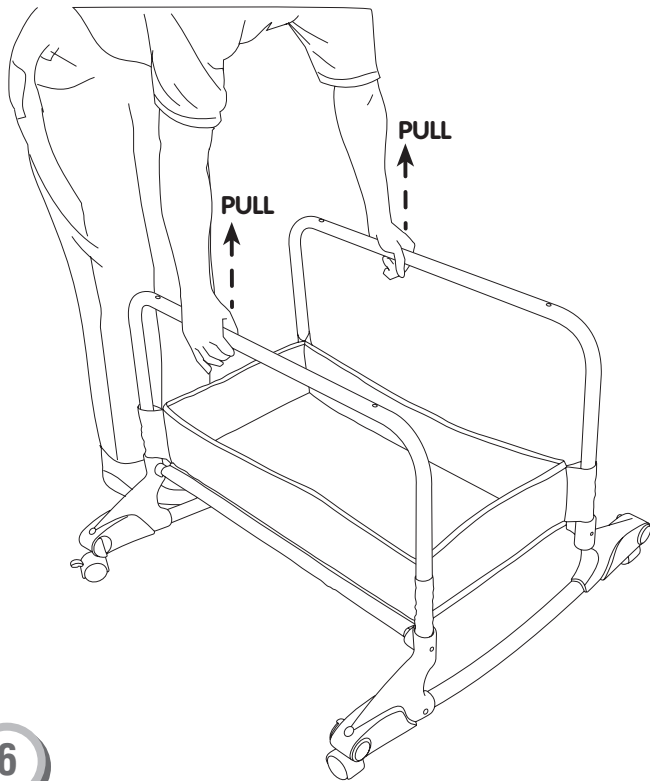
- First, fit the ends of a leg into short fabric sleeves in the storage basket.
- Then, fit the ends of the leg into receptacle in each base.
- Repeat this procedure to assemble the other leg to the storage basket and bases.



5

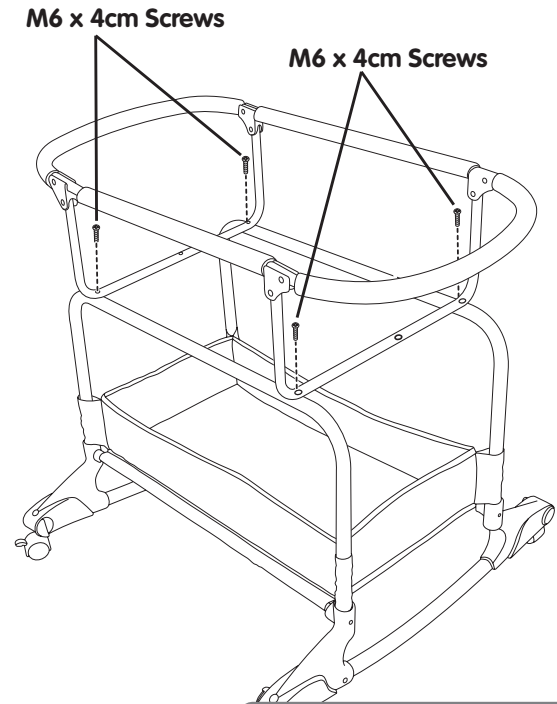
- Insert an M6 x 4cm screw through the hole in each base, the ends of the legs and into the end of each cross tube.
- Hint: You may need to align the holes of all three parts to properly insert the screw.*
- Tighten the screw with the Phillips screwdriver.
 - Repeat this procedure to fasten the legs, bases and cross tubes on the other side of the assembly.

Bassinet Assembly



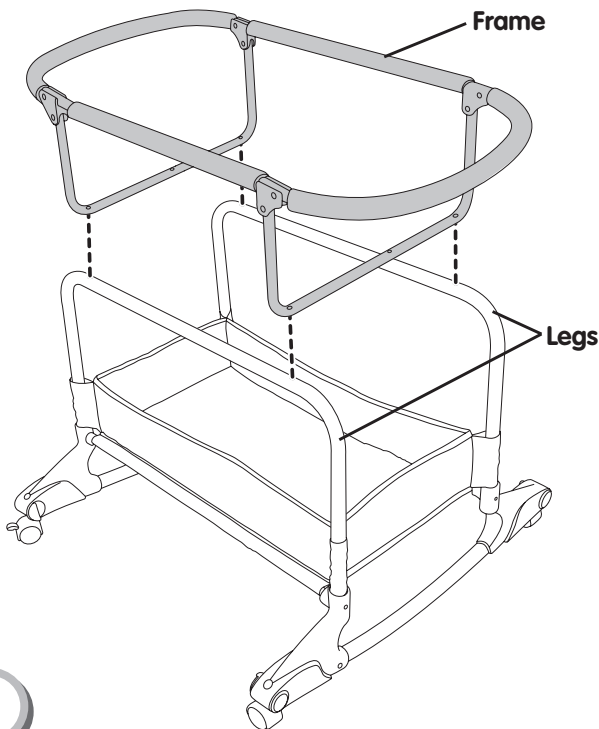
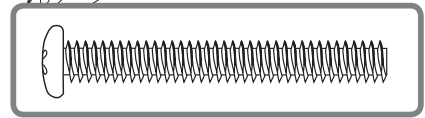
6

- Turn the assembly upright.
- Check to be sure the legs are secure. While gently holding the base down, pull up on the legs. They should remain assembled to the bases.



8

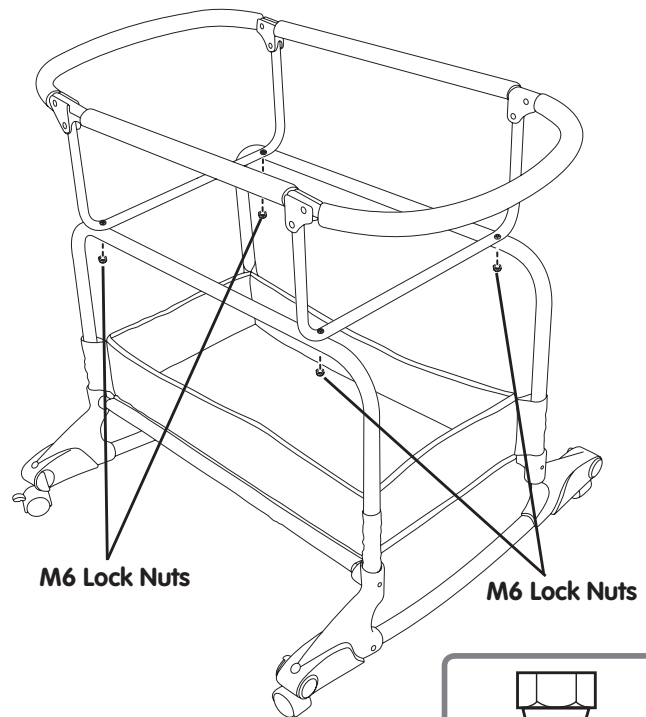
- Insert four M6 x 4cm screws through the holes in the frame and legs.



7

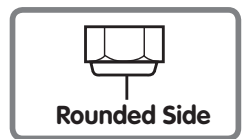
- Rotate the bases of the frame down.
- Place the frame onto the top of the legs. Align the holes in the bases of the frame with the holes in the legs.

Note: Do not remove the foam around top of frame.

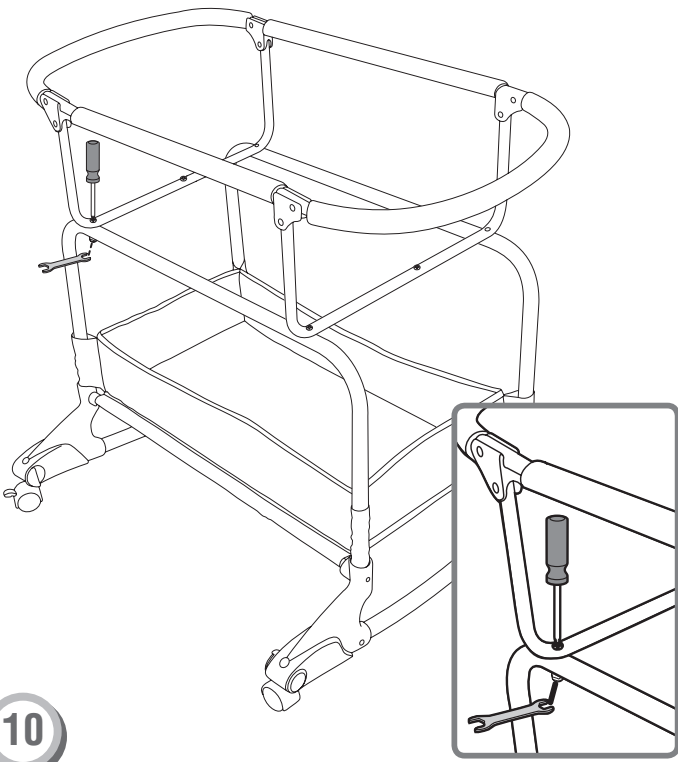


9

- Attach an M6 nut to the end of each screw. Make sure the rounded side of the lock nuts face down. Hand-tighten the lock nuts onto the screws.

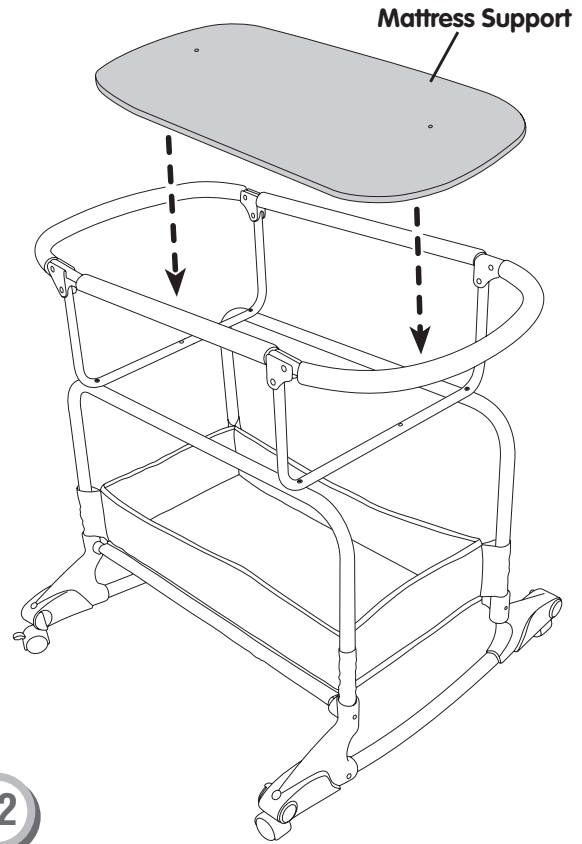


Bassinet Assembly



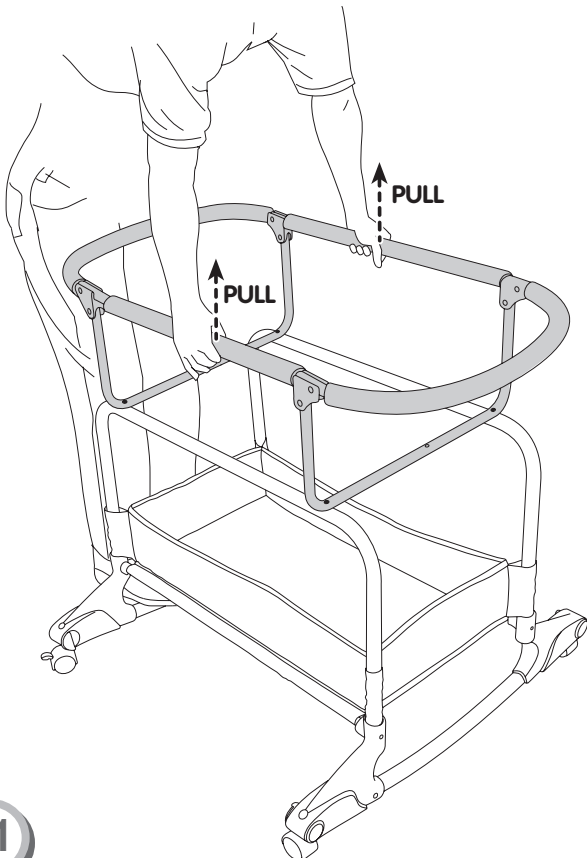
10

- While holding an M6 lock nut in place with the wrench, completely tighten a screw with the Phillips screwdriver.
- Repeat this procedure tighten the other three screws.



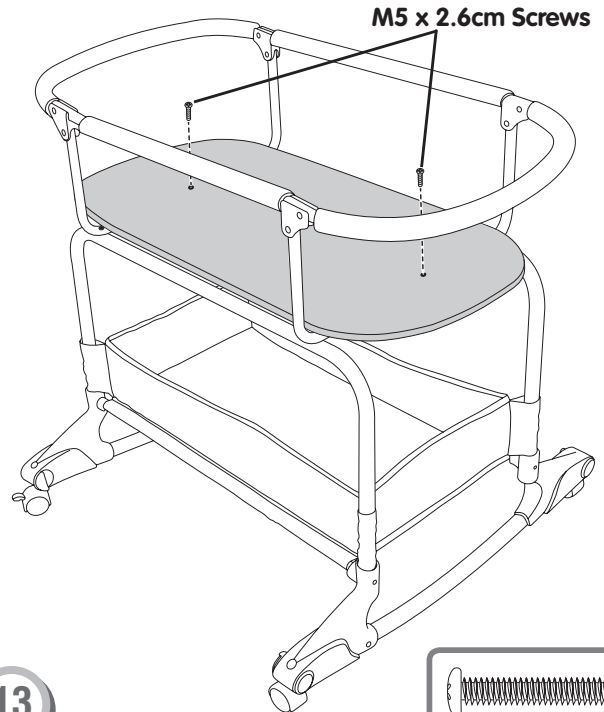
12

- Place the mattress support into the frame.
- Check to make sure male snap faces down.



11

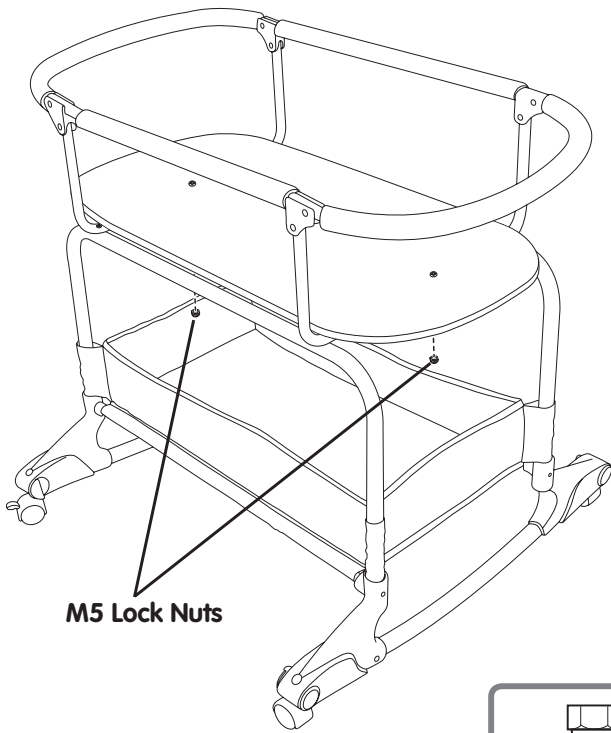
- Check to be sure the frame is secure. While gently holding a base down, pull up on the frame it should remain attached to the legs.



13

- Align the holes in the mattress support with the holes in the frame.
- Insert two M5 x 2.6cm screws through the mattress support and into the frame.

Bassinet Assembly



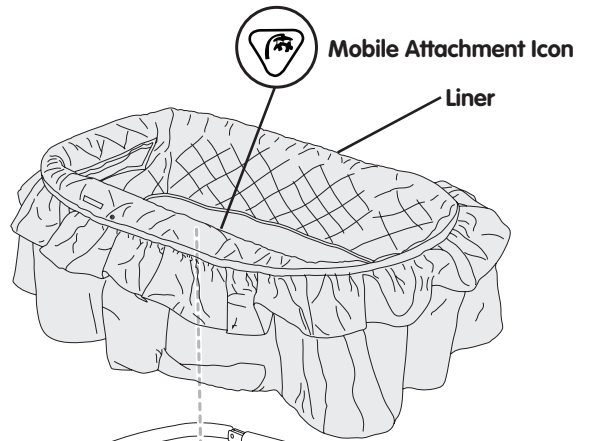
M5 Lock Nuts



Rounded Side

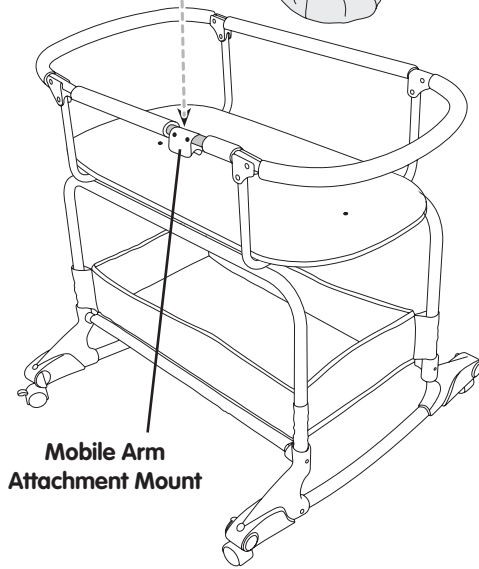
14

- Attached a M5 lock nut to the end of the screw. Make sure the rounded side of the lock nut faces down. Hand-tighten the lock nuts onto the screws.



Mobile Attachment Icon

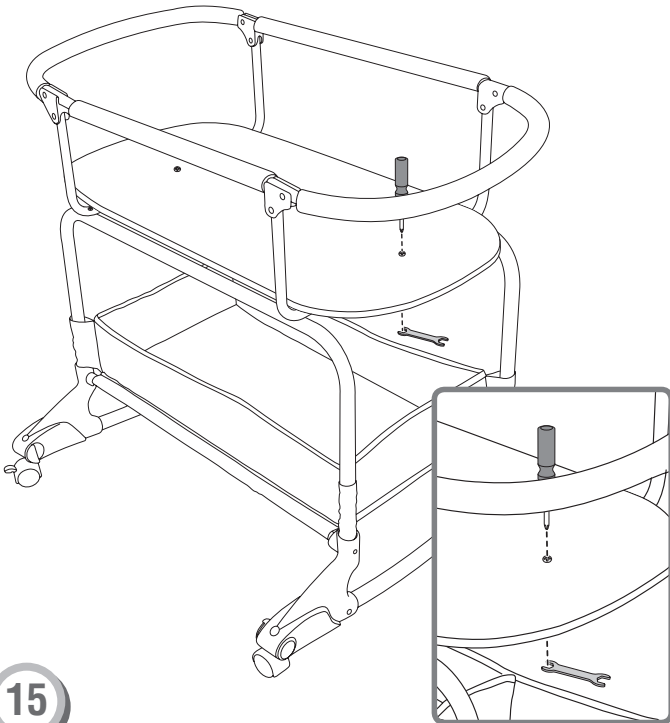
Liner



Mobile Arm Attachment Mount

16

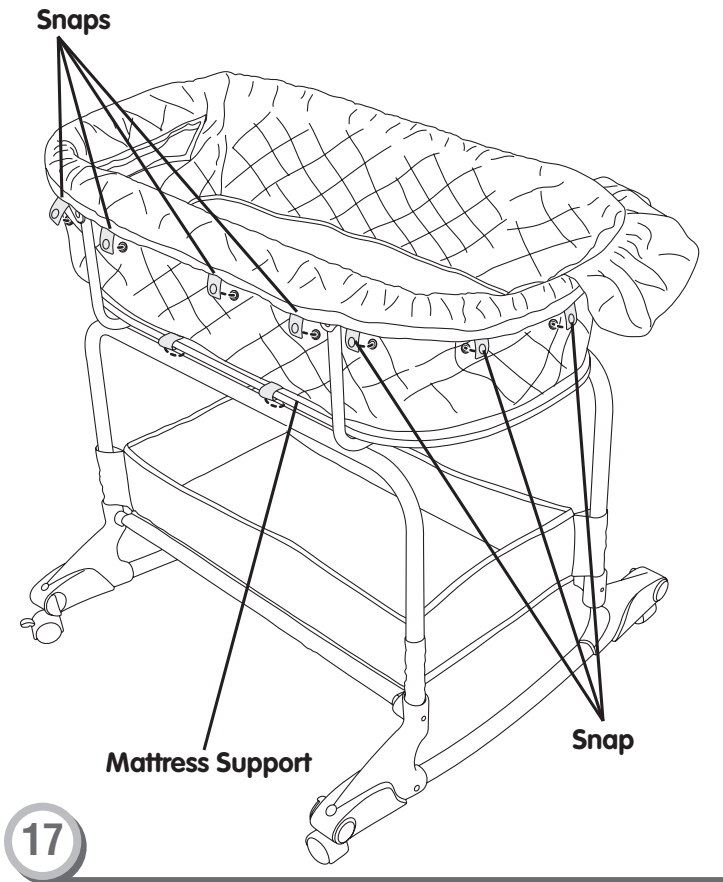
- Locate the mobile attachment mount at the top of the frame.
- Align the mobile attachment icon on the liner with the plastic mobile attachment mount on the frame.
- Place the liner onto frame. Make sure warning label is centered at the end of bassinet.



15

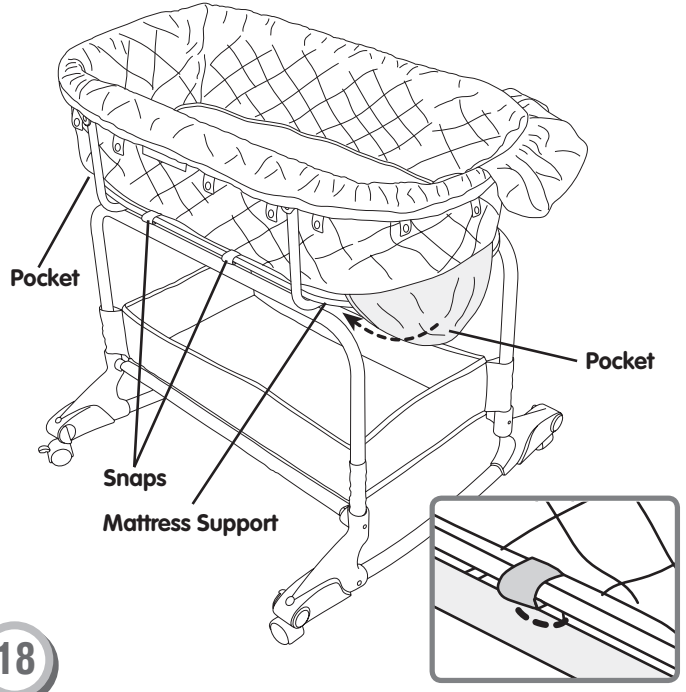
- While holding an M5 lock nut in place with a wrench, completely tighten screw with a Phillips screwdriver.
- Repeat this procedure to tighten the other screw.

Bassinet Assembly



17

- Lift the skirt on the liner. Snap all 5 straps around the top of the side of the frame.
- Repeat this procedure to snap the other 5 straps around the top of the frame.

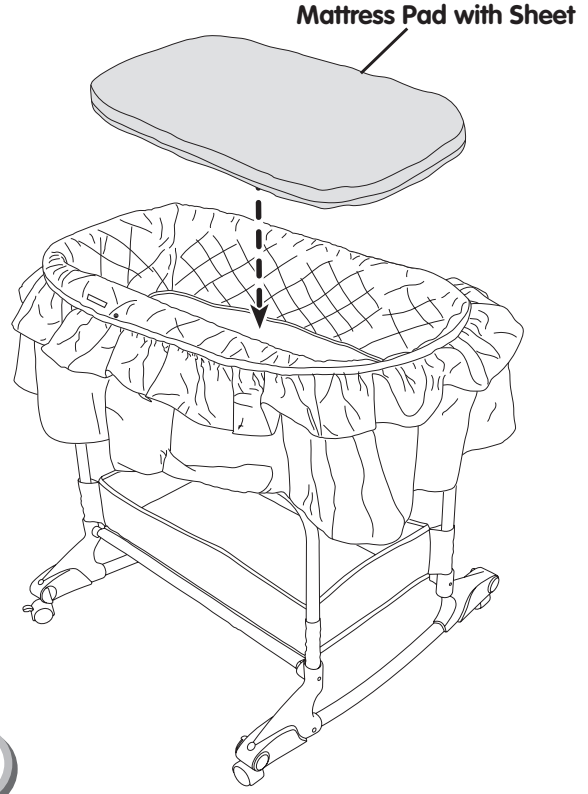


18

- Stretch the pockets on the bottom of the liner around the ends of the mattress support.
- Snap both straps on the bottom of the liner to the bottom of the mattress support.

Note: Snaps do not go over metal tube.

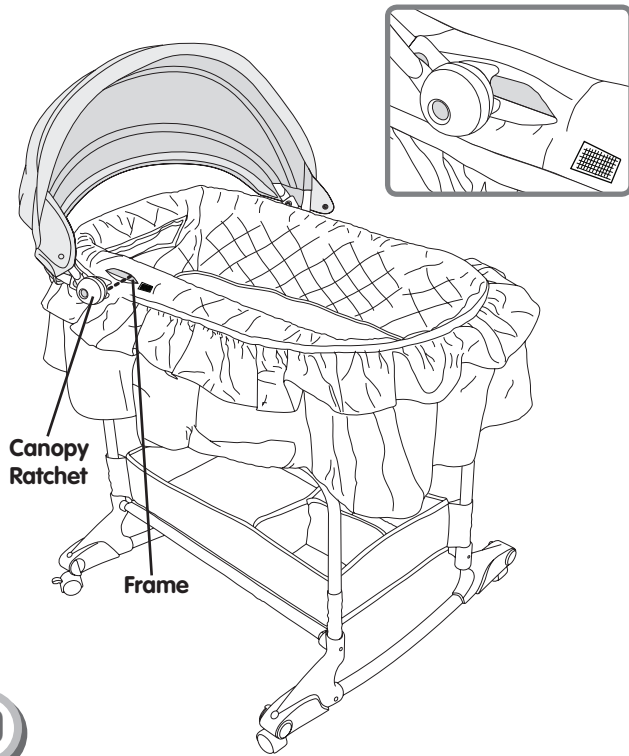
- Repeat this procedure to snap the other two straps on the bottom of the liner to the mattress support.



19

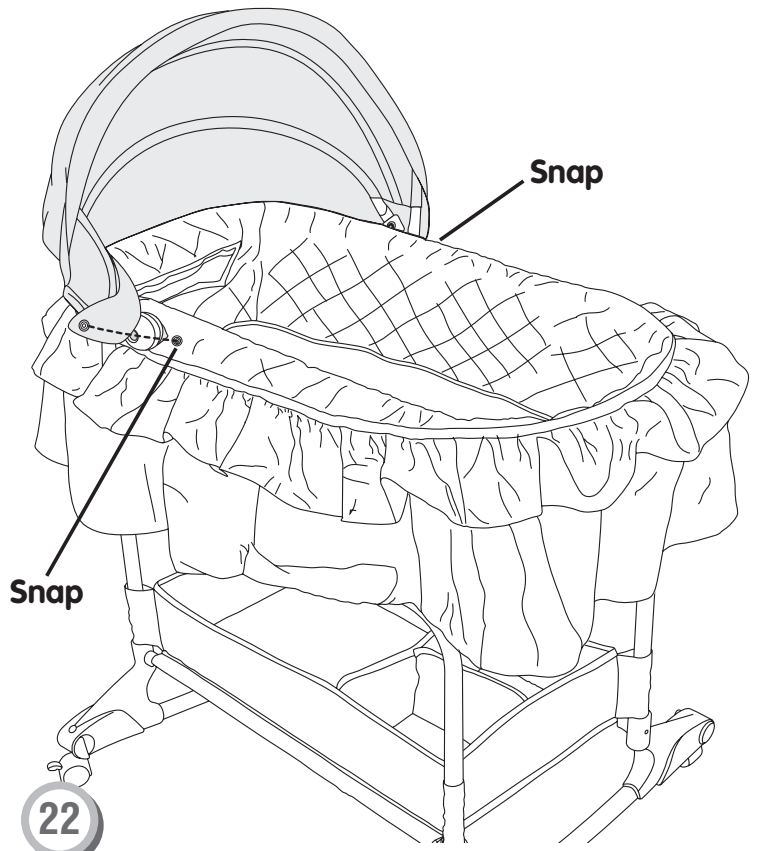
- Place the sheet over the mattress pad.
- Place the mattress pad with sheet into the liner.

Bassinet Assembly



20

- Position the canopy over the top end of the bassinet opposite the warning label.
- Open the hook and loop fasteners on the liner and push aside foam to expose metal.
- Push the canopy ratchet onto the frame on both sides of the bassinet.



22

- Fasten the hook and loop patches on each canopy flap to the side of the liner.



21

- Fasten the hook and loop fasteners on the back edge of the canopy to the liner.

Consumer Information



WARNING

Read all instructions BEFORE assembly and USE of product. KEEP INSTRUCTIONS FOR FUTURE USE.

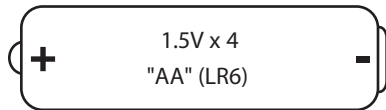
- A mobile is intended for visual stimulation and is not intended to be grasped by the child.
- From birth to 5 months.
- Possible entanglement injury.
- Keep out of baby's reach.
- Remove mobile from bassinet or cradle when baby begins to push up on hands and knees. Toys are not meant to be "mouthed" by the baby and should be positioned clearly out of reach of the baby's face and mouth.
- Adult assembly required.
- Always attach all provided fasteners (strings, straps, clamps, etc.) tightly to the bassinet according to the instructions. Check frequently.
- Do not add additional strings or straps to attach to the bassinet.
- The mobile is not intended for use in playpens or portable cribs.

CAUTION - Changes or modifications not expressly approved by the party responsible for compliance could void the user's authority to operate the equipment.

NOTE: This equipment has been tested and found to comply with the limits for a class B digital device, pursuant to Part 15 of the FCC Rules. These limits are designed to provide reasonable protection against harmful interference in a residential installation. This equipment generates, uses and can radiate radio frequency energy and, if not installed and used in accordance with the instructions, may cause harmful interference to radio communications. However, there is no guarantee that interference will not occur in a particular installation. If this equipment does cause harmful interference to radio or television reception, which can be determined by tuning the equipment off and on, the user is encouraged to try to correct the interference by one or more of the following measures:

- Reorient or relocate the receiving antenna.
- Increase the separation between the equipment and receiver.
- Connect the equipment into an outlet on a circuit different from that to which the receiver is connected.
- Consult the dealer or experienced radio/TV technician for help.

Battery Compartment Cover



In exceptional circumstances, batteries may leak fluids that can cause a chemical burn injury or ruin your product. To avoid battery leakage:

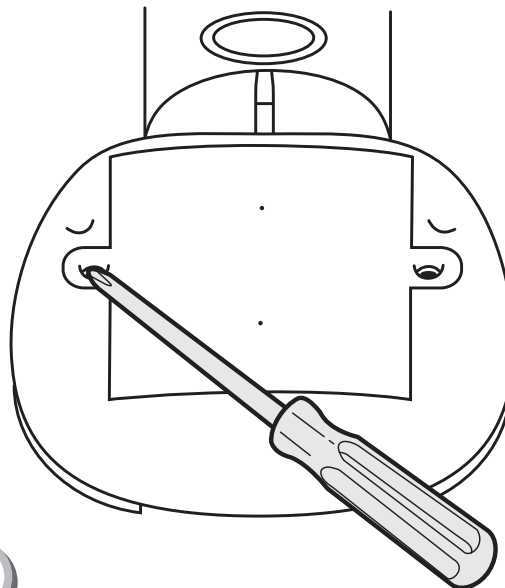
- Do not mix old and new batteries or batteries of different types: alkaline, standard (carbon-zinc) or rechargeable (nickel-cadmium).
- Insert batteries as indicated inside the battery compartment.
- Remove batteries during long periods of non-use. Always remove exhausted batteries from the product. Dispose of batteries safely.
- Never short-circuit the battery terminals.
- Use only batteries of the same or equivalent type, as recommended.
- Do not charge non-rechargeable batteries.
- Remove rechargeable batteries from the product before charging.
- If removable, rechargeable batteries are used, they are only to be charged under adult supervision.
- When discarding batteries, be sure to dispose of them in the proper manner, according to your state and local regulations.

NOTE: We recommend using alkaline batteries for longer battery life. Make sure batteries are correctly installed.



- Protect the environment by not disposing of this product with household waste (2002/96/EC). Check your local authority for recycling advice and facilities.

Battery Installation

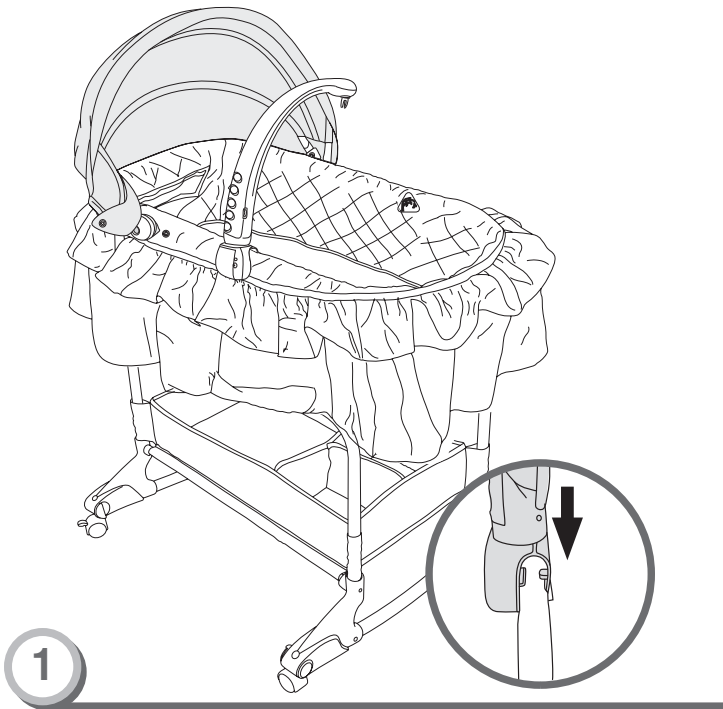



- Locate the battery compartment on the back of the mobile arm base.

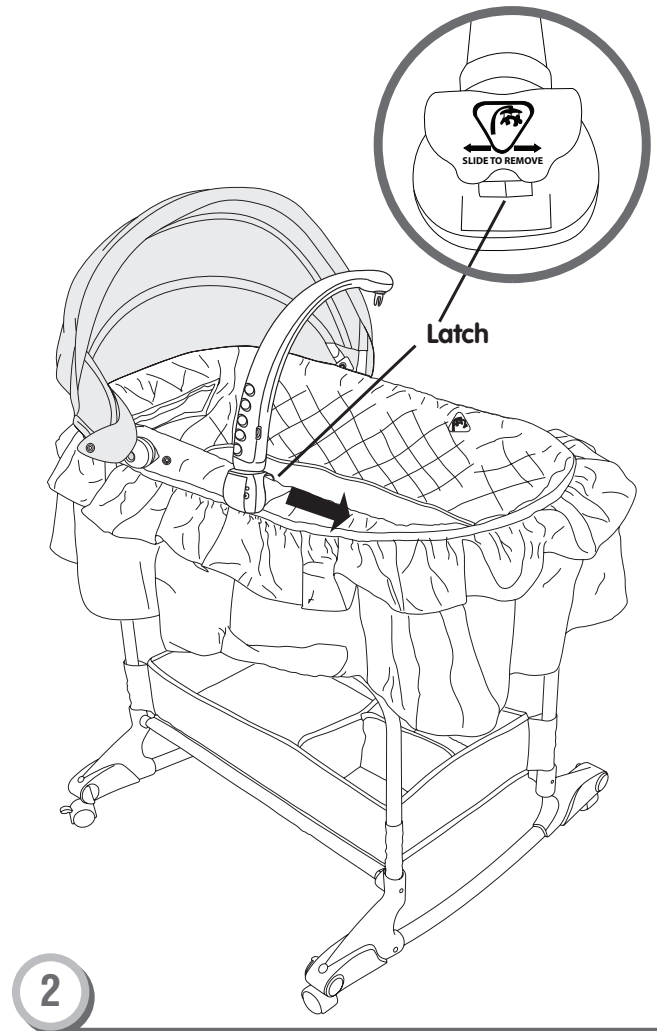
Hint: We recommend using alkaline batteries for longer battery life.

- Loosen the screws in the battery compartment door with a Phillips screwdriver.
 - Insert four “AA” (LR6) alkaline batteries into the battery compartment.
 - Replace the battery compartment door and tighten the screws.
- Note:** Low battery power may cause product movement to slow, sound to become faint or product to turn off all together. If this should happen, replace the batteries with four, new alkaline “AA” (LR6) batteries.

Mobile Assembly



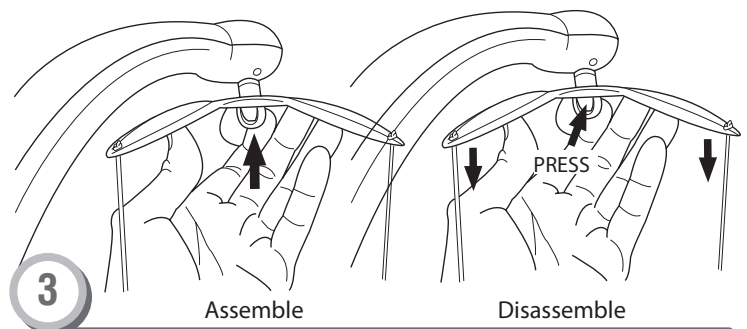
- 1**
- Place the mobile arm over the mobile icon  located on the side rails.
 - Push down until you hear it “snap” into the bracket located inside the side rail.



2

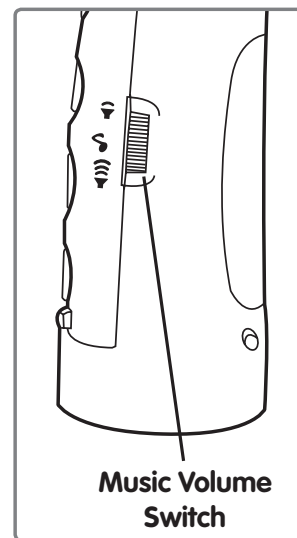
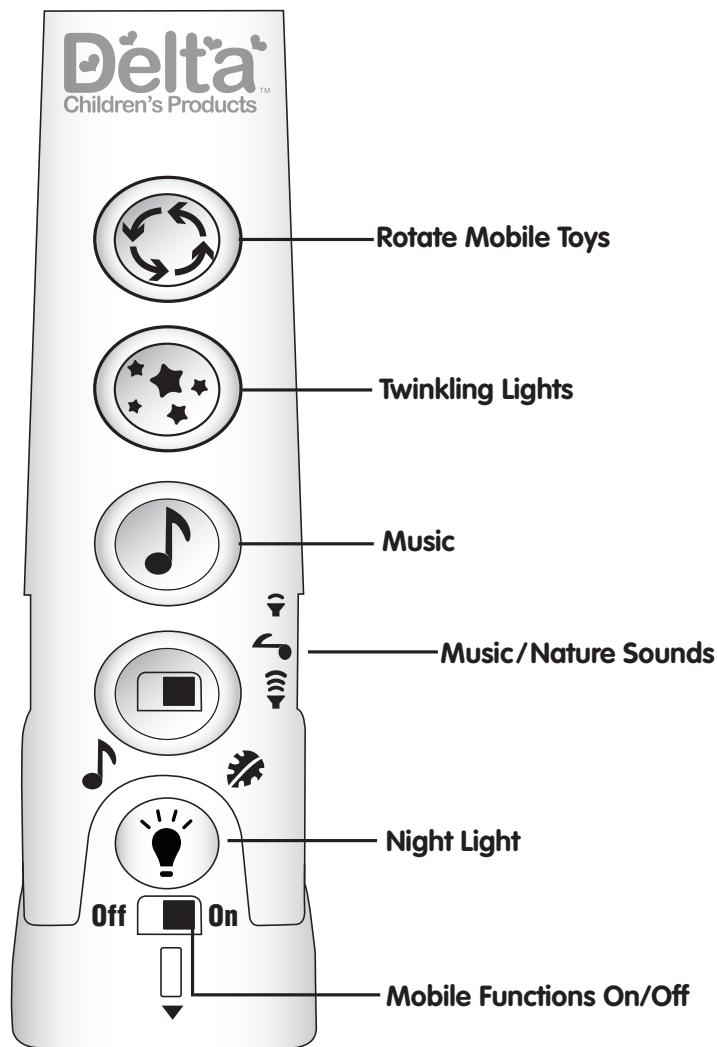
To Remove the Mobile Arm Assembly

- First pull the latch on the base of the mobile arm out and then slide the mobile arm along the side rail.
- Lift the mobile arm off the top rail.



- 3**
- Fit the mobile to the mobile arm. Push the mobile up firmly.
- Hint:** To disassemble the mobile for storage, press the tab on the mobile arm and pull the mobile down.

Mobile and Vibrations Unit Operation



Mobile Functions On/Off Switch

- Slide the Mobile Functions On/Off switch at the base of the mobile arm to turn on power. This is the main power switch to the mobile arm and also turns on the power LED on the Night Light button. The LED will stay on in the dark.

Rotate Mobile Toys Button

- Press to begin a 5 minute cycle of rotation.
- Press again to stop the mobile.
- Press to start a new 5-minute cycle. If this button is pressed while mobile is operating, the rotation cycle will restart.

Twinkling Lights Button

- Press to start a 5 minute light show.
- Press again to stop the light show.

Music Button

- Press to start cycle of music.
- Press again to stop the music.



Music/ Nature Sounds

- Press  to play soothing music.
- Press again to stop the soothing music.

Night Light

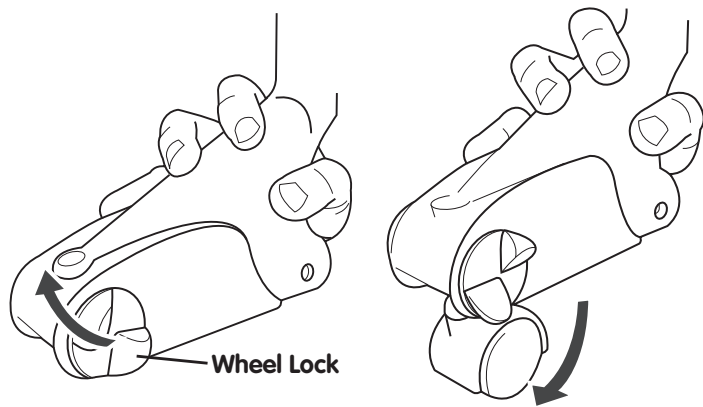
- Press to turn on mobile light for 5 minutes.
- Press again to turn light off.

Music Volume Switch

- Push toward  to increase volume.
- Push toward  to decrease volume.

Note: If the mobile begins to operate erratically, slide the Mobile Functions On/Off switch OFF and then back ON again.

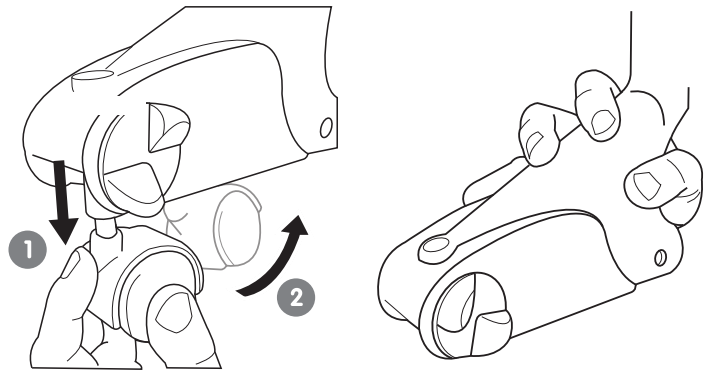
Retractable Wheels



1

To Lower Wheels

- Turn the wheel lock to lower the wheel. Make sure you hear a “click” as the wheel locks in place.
- Repeat this procedure to lower the other three wheels.



2

To Retract Wheels

Rocking Mode

- First, pull the wheel down 1. Then push it up into the base 2.
- Make sure lock tab is facing up as wheel is inserted into base.
- Repeat this procedure to retract the other three wheels.

Care

- The frame, mattress pad, storage basket, canopy, mobile and mobile arm may be wiped clean using a mild cleaning solution and a damp cloth. Do not use bleach. Do not use harsh or abrasive cleaners. Rinse clean with water to remove residue. Do not immerse the frame.
- The sheet is machine washable. Wash it separately in cold water on the gentle cycle. Do not use bleach. Tumble dry separately on low heat and remove promptly.
- Always store product in a clean and dry place.

Manufactured for and distributed by:



114 West 26th Street, New York, NY 10001



Customer Service

Tel. 1-(800)-377-3777

www.DeltaChildrensProducts.com

customerservice@DeltaChildrensProducts.com

MADE IN CHINA