

NO DRILL  
REQUIRED, DO  
NOT USE POWER  
SCREWDRIVER

READ ALL INSTRUCTIONS BEFORE  
ASSEMBLY AND USE.

**KEEP INSTRUCTIONS FOR FUTURE USE.**

**⚠️ ADULT ASSEMBLY REQUIRED**

DUE TO THE PRESENCE OF SMALL PARTS  
DURING ASSEMBLY, KEEP OUT OF REACH OF  
CHILDREN UNTIL ASSEMBLY IS COMPLETE.

Consumer Care:

[www.deltachildren.com](http://www.deltachildren.com)

Delta Children's Products

114 West 26th Street

New York, NY 10001

Tele.212-645-9033

# Delta™

Children's Products

TOY BOX



THIS PRODUCT IS NOT INTENDED FOR INSTITUTIONAL OR COMMERCIAL USE.

STYLE No: 2500 -



COLOR



REV



FACTORY

When contacting Delta Consumer Care you  
will need to reference the above number.

Consumer Care:

[www.deltachildren.com](http://www.deltachildren.com)

Delta Children's Products

114 West 26th Street

New York, NY 10001

Tele.212-645-9033

To register your product for important safety alerts and updates to your product  
please visit [www.deltachildren.com](http://www.deltachildren.com) and click on Product Registration.

# ⚠️ WARNING:

TO AVOID RISK OF SUFFOCATION, DO NOT ALLOW CHILDREN TO PLAY INSIDE THIS CONTAINER.

**CAUTION:** This unit is equipped with a special lid support; the lid support must be attached as indicated in the assembly instructions prior to use. The purpose of the safety lid support is to prevent injury to a child's fingers or other parts when opening and closing the lid. The safety lid support must function properly, when the lid can be opened at any angle, the lid **must not** drop more than 1/2 inch from its own weight, with the exception of the final 2 inches before reaching its closed position. This unit should not be used unless the safety lid support is properly attached and functioning properly. Contact Delta Children's Products with any questions.

## NOTES ON ASSEMBLY:

-During the assembly process whenever using screws or bolts, check each by placing the screw/bolt on the diagram of the item which is drawn actual size and design. Be sure to use the proper size and shape specified in the instructions.

To assemble this unit you may be required to place the unit on its side and face. It is strongly recommended that assembly is done on a soft, non-abrasive surface to avoid damaging the finish.

## NOTES ON CARE AND MAINTENANCE:

- Do not scratch or chip the finish.

- Inspect the product periodically, contact delta children's products for replacement parts or questions.

- Do not store the product or any parts in extreme temperatures and conditions such as a hot attic or a damp, cold basement. These extremes can cause a loss of structural integrity.

-To preserve the luster of the high quality finish on your product, it is recommended to place a doily or felt pad under any items you place on the finish.

-Clean with a damp cloth, then a dry cloth to preserve the original luster and beauty of this fine finish.

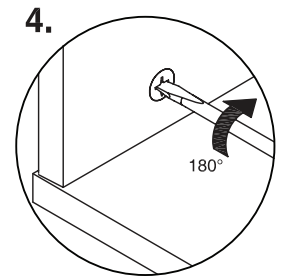
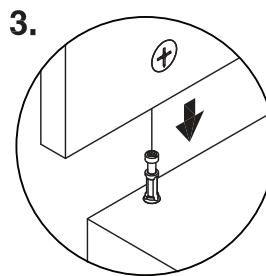
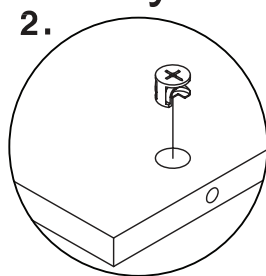
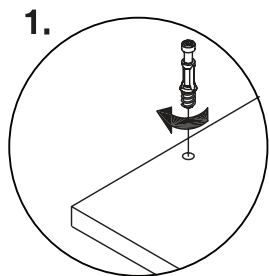
Do not use abrasive chemicals.

-Do not spray cleaners directly onto furniture.

-Lift slightly when moving on carpeting to prevent leg breakage.

-Use of a vaporizer near furniture will cause wood to swell and finish to peel.

## How to use cam lock system:



## PARTS: HARDWARE KIT #21802



J. WOOD DOWEL x17



K. HINGE SCREW x6



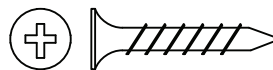
L. LID SUPPORT SCREW x8



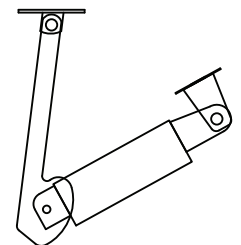
M. CAM LOCK x4



N. CAM BOLT x4



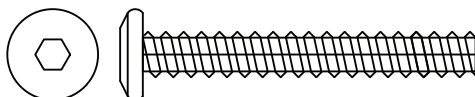
P. 25mm SCREW x9



T. LID SUPPORT x2



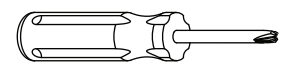
R. BARREL NUT x8



S. BOLT 44mm x8

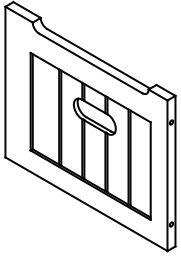


M4 ALLEN WRENCH

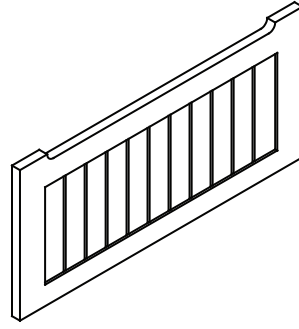


PHILLIPS SCREWDRIVER  
NOT SUPPLIED

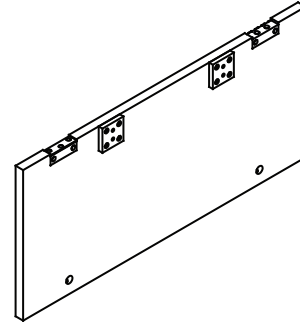
# PARTS:



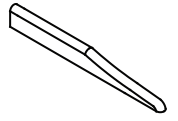
A. SIDE  
PANEL X2  
PART # 21794



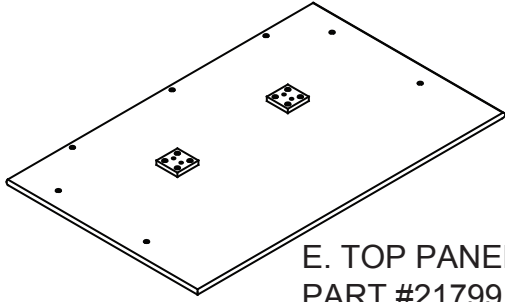
C. FRONT PANEL X1  
PART #21796



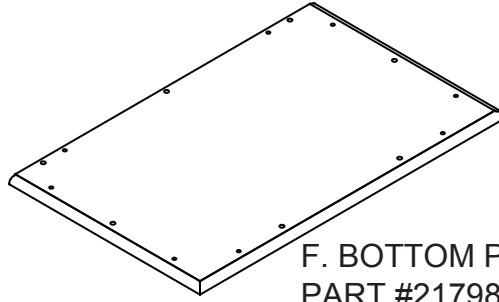
D. BACK PANEL X1  
PART #21797



H. TOP SIDE  
RAIL X2  
PART # 21800



E. TOP PANEL X1  
PART #21799

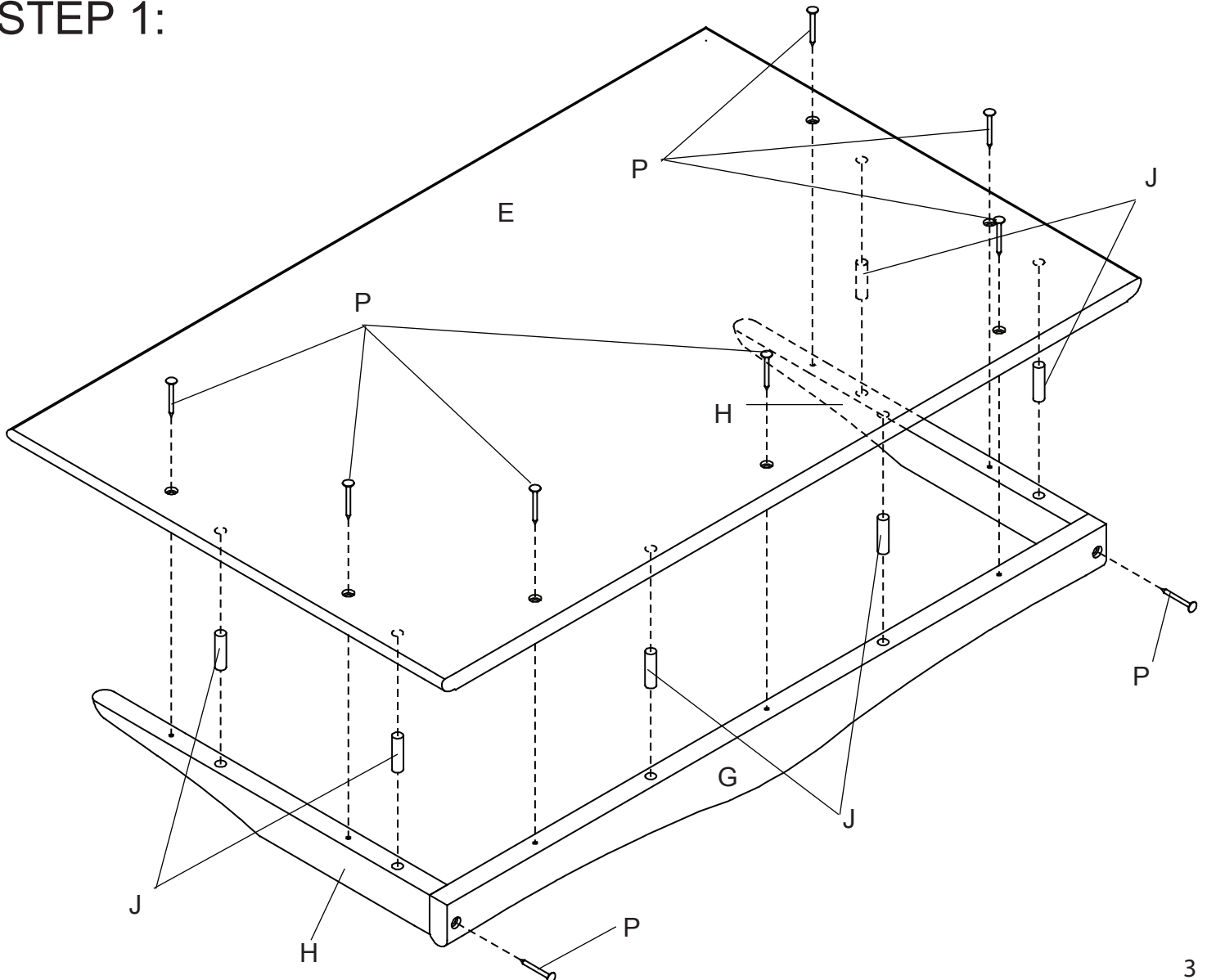


F. BOTTOM PANEL X1  
PART #21798

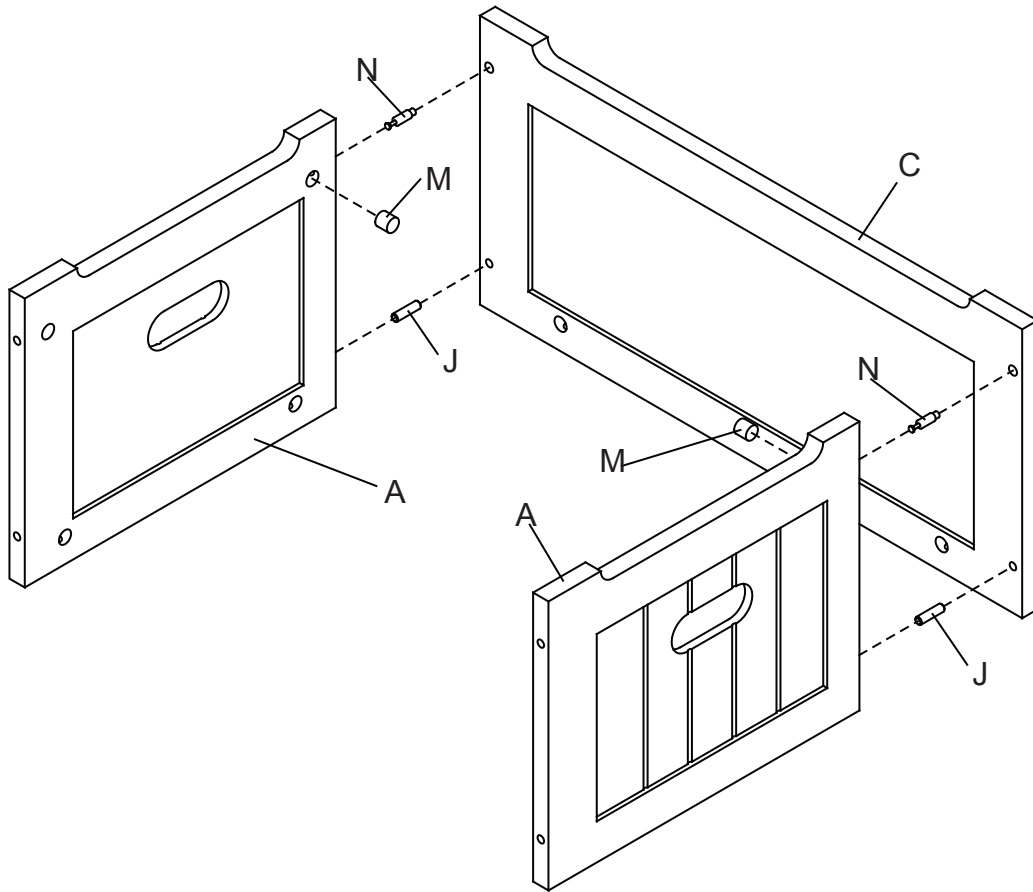


G. TOP BACK  
RAIL X1  
PART #21801

# STEP 1:

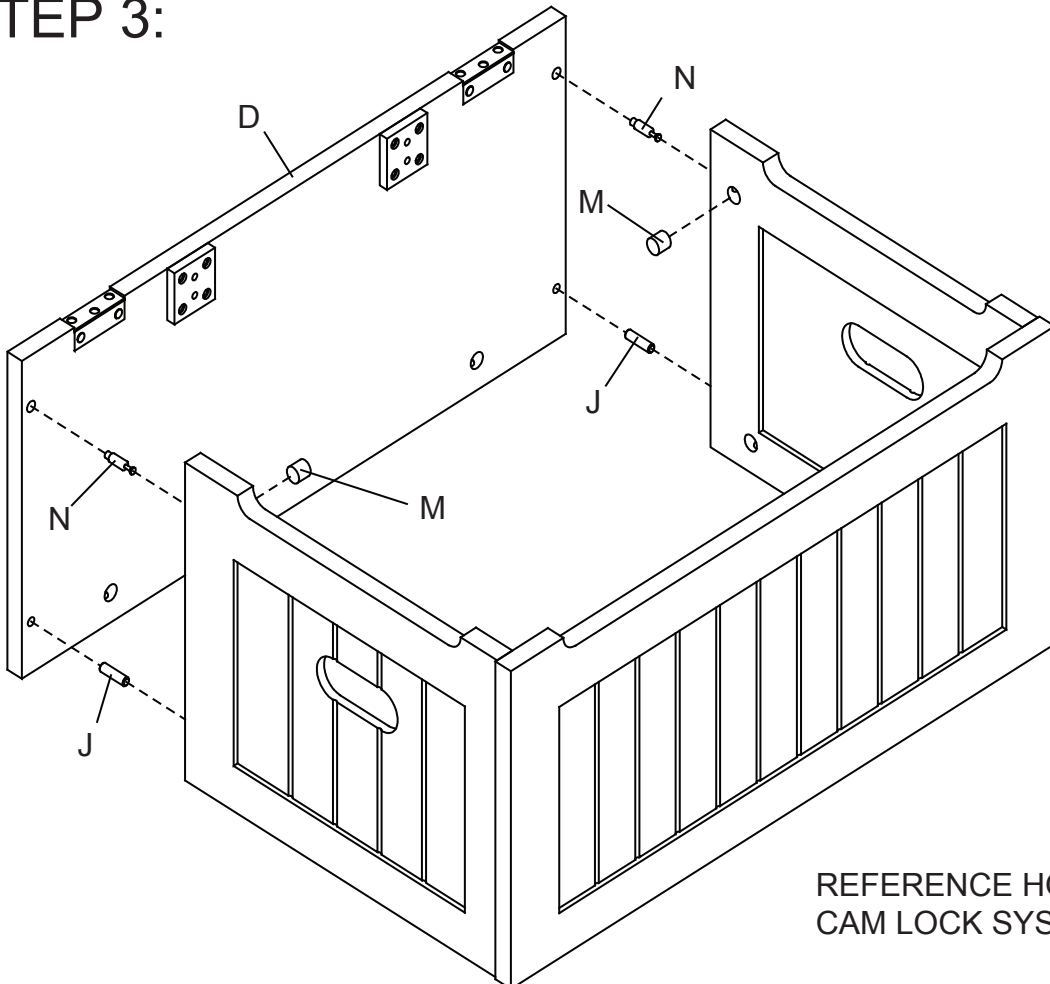


## STEP 2:



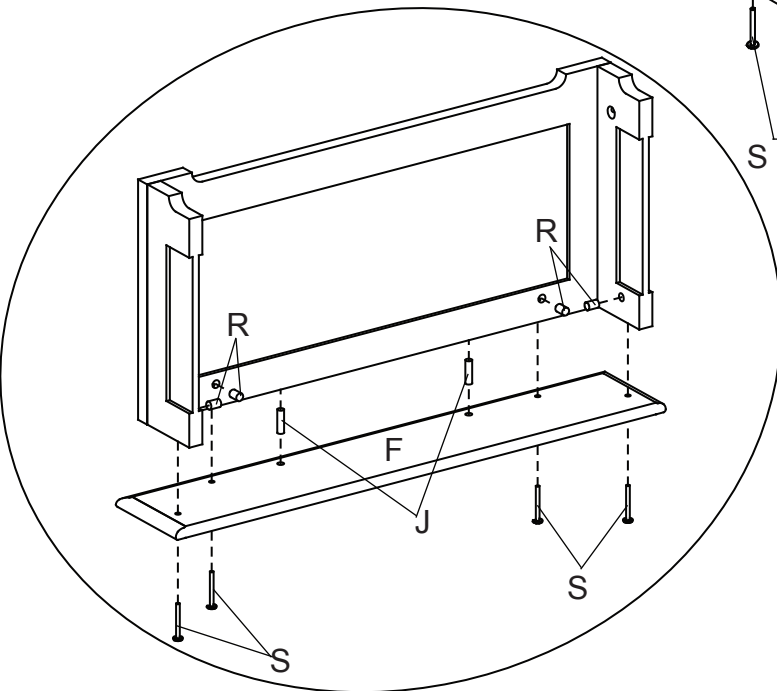
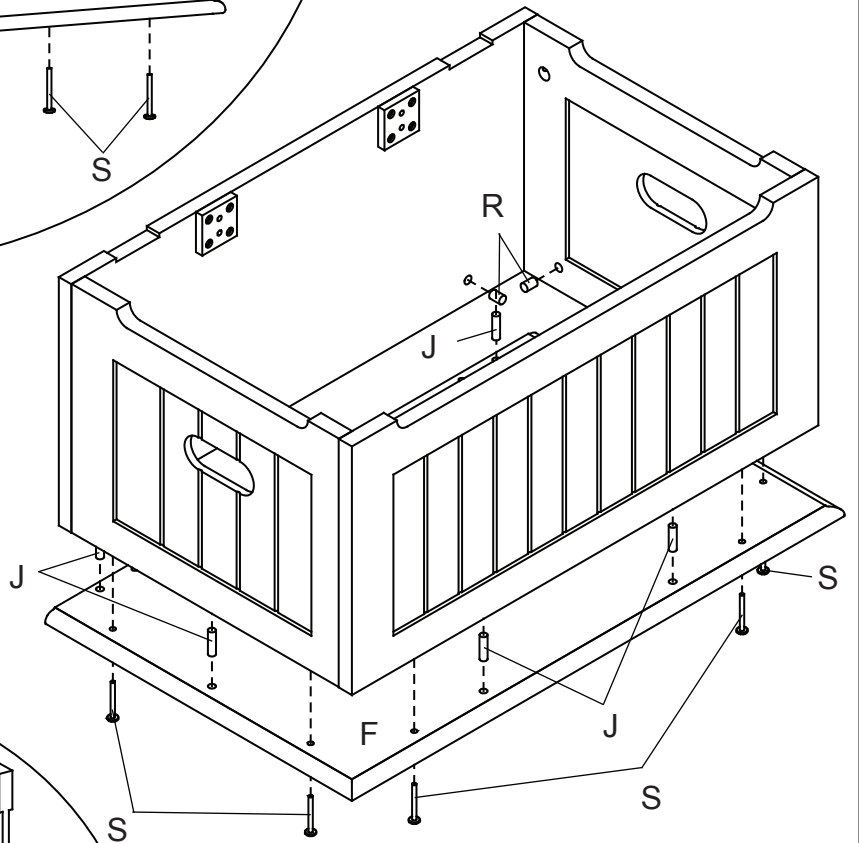
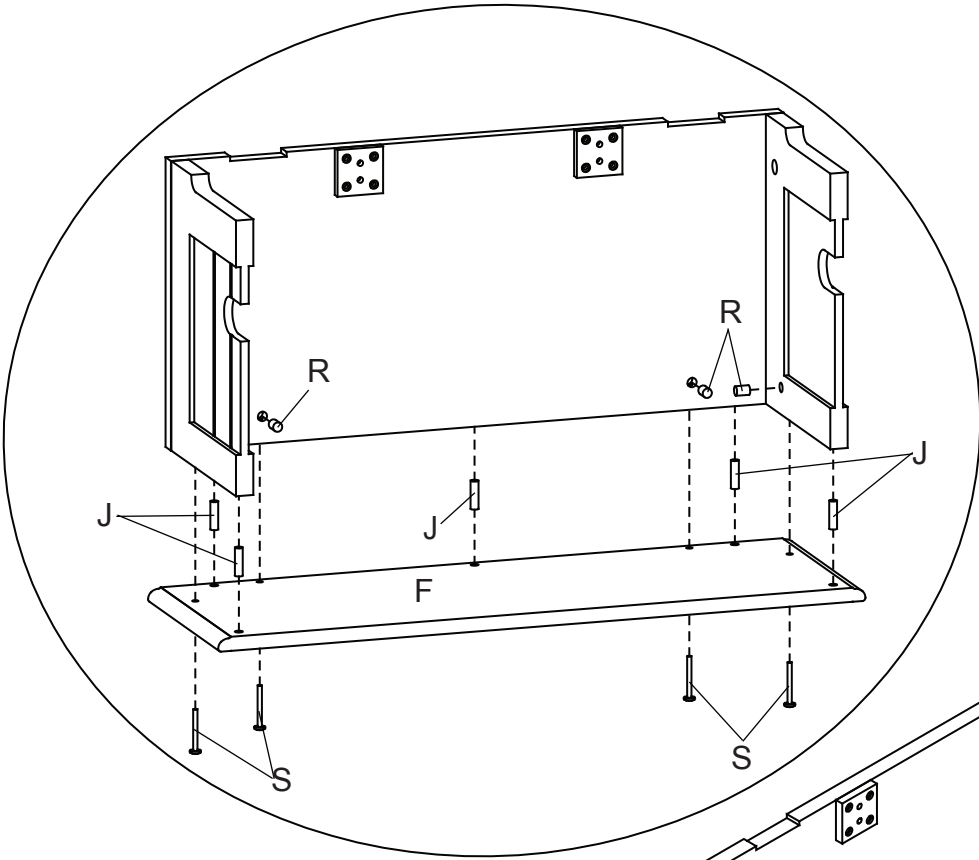
REFERENCE HOW TO USE CAM LOCK SYSTEM ON PAGE 2

## STEP 3:

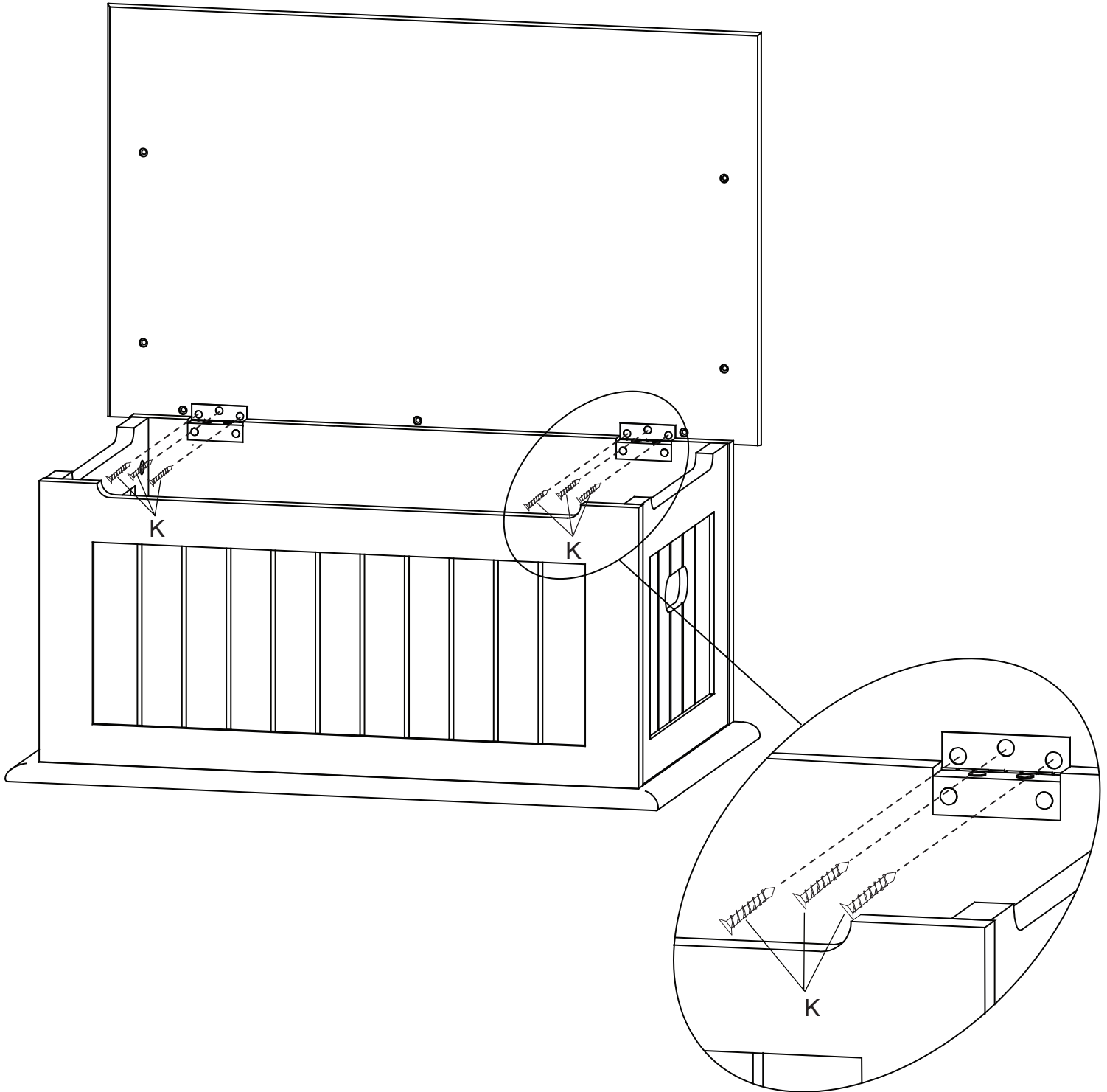


REFERENCE HOW TO USE  
CAM LOCK SYSTEM ON PAGE 2

# STEP 4:



## STEP 5:

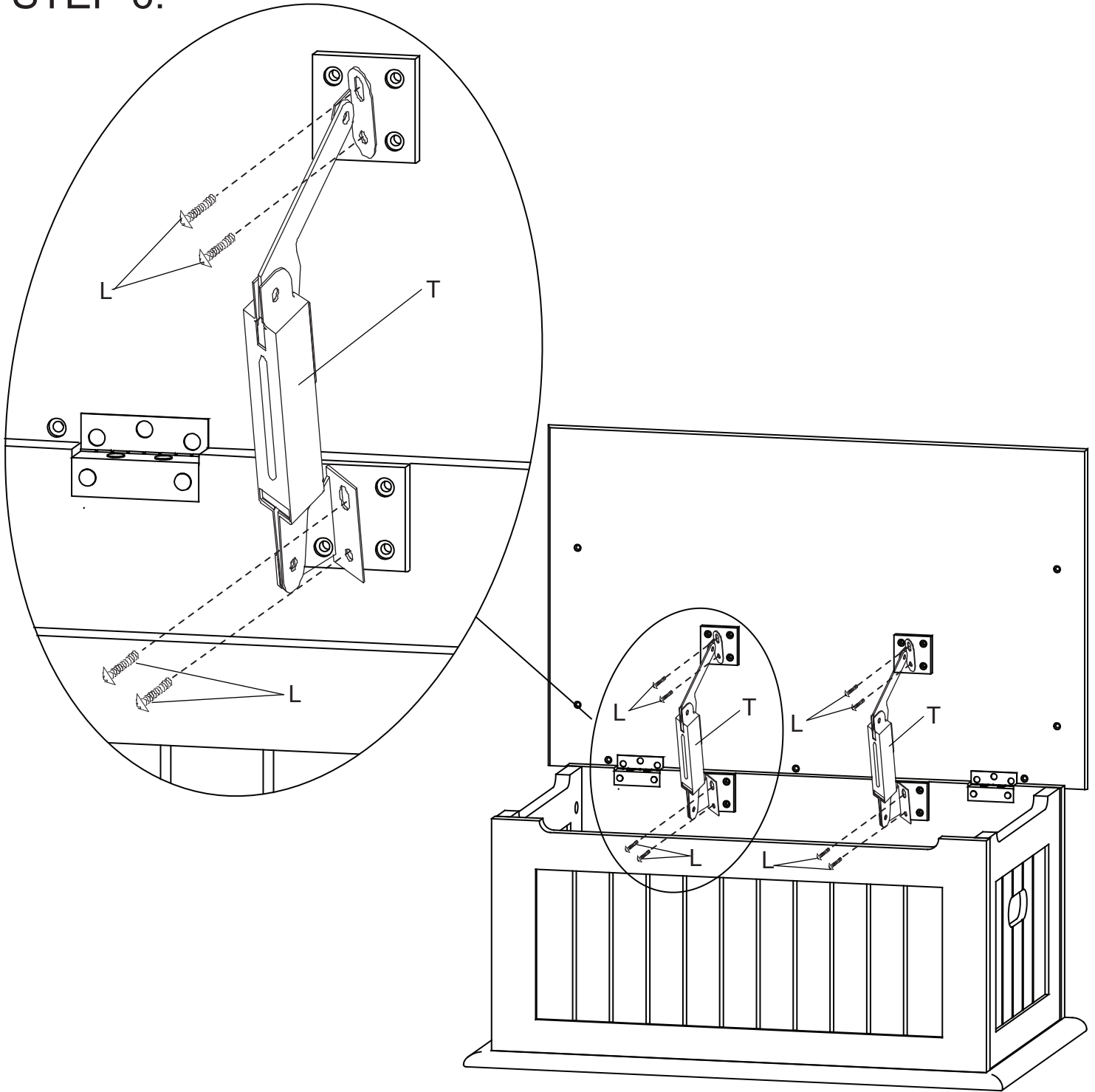


### **WARNING**

TO AVOID RISK OF SUFFOCATION, DO NOT ALLOW CHILDREN TO PLAY INSIDE THIS CONTAINER.

**CAUTION:** THIS UNIT IS EQUIPPED WITH A SPECIAL LID SUPPORT. THE LID SUPPORT MUST BE ATTACHED AS INDICATED IN THE ASSEMBLY INSTRUCTIONS PRIOR TO USE. THE PURPOSE OF THE SAFETY LID SUPPORT IS TO PREVENT INJURY TO A CHILD'S FINGERS OR OTHER PARTS WHEN OPENING AND CLOSING THE LID. THE SAFETY LID SUPPORT MUST FUNCTION PROPERLY. WHEN THE LID CAN BE OPENED AT ANY ANGLE, THE LID MUST NOT DROP MORE THAN 1/2 INCH (FROM IT'S OWN WEIGHT), WITH THE EXCEPTION OF THE FINAL 2 INCHES BEFORE REACHING ITS CLOSED POSITION. THIS UNIT SHOULD NOT BE USED UNLESS THE SAFETY LID SUPPORT IS PROPERLY ATTACHED AND FUNCTIONING PROPERLY.

## STEP 6:



### **WARNING**

**TO AVOID RISK OF SUFFOCATION, DO NOT ALLOW CHILDREN TO PLAY INSIDE THIS CONTAINER.**

**CAUTION:** THIS UNIT IS EQUIPPED WITH A SPECIAL LID SUPPORT. THE LID SUPPORT MUST BE ATTACHED AS INDICATED IN THE ASSEMBLY INSTRUCTIONS PRIOR TO USE. THE PURPOSE OF THE SAFETY LID SUPPORT IS TO PREVENT INJURY TO A CHILD'S FINGERS OR OTHER PARTS WHEN OPENING AND CLOSING THE LID. THE SAFETY LID SUPPORT MUST FUNCTION PROPERLY. WHEN THE LID CAN BE OPENED AT ANY ANGLE, THE LID MUST NOT DROP MORE THAN 1/2 INCH (FROM IT'S OWN WEIGHT), WITH THE EXCEPTION OF THE FINAL 2 INCHES BEFORE REACHING ITS CLOSED POSITION. THIS UNIT SHOULD NOT BE USED UNLESS THE SAFETY LID SUPPORT IS PROPERLY ATTACHED AND FUNCTIONING PROPERLY.



**Children's Products**

Consumer Care:

[www.deltachildren.com](http://www.deltachildren.com)

Delta Children's Products

114 West 26th Street

New York, NY 10001

Tele.212-645-9033

**Warranty:** This Delta Product is warranted to be free from defects for a period of 90 days from the date of purchase under normal use. This warranty extends only to the original retail purchaser and is valid only when supplied with proof of purchase, or if received as a gift, when the registration is on file with Delta.

Please visit [www.deltachildren.com](http://www.deltachildren.com) and click on Product Registration to register your product for important safety alerts and updates.

For questions or comments, please log on to [www.deltachildren.com](http://www.deltachildren.com) and click Consumer Care, or contact us by phone at (212) 645-9033.

In the event that you need to contact our Consumer Care department please have the Style Number and Lot Number available. If they are not printed below they can be found on the label on the Bottom Lid of the product.

Use the space below to make note of those numbers.

STYLE No: 2500 -

COLOR

REV

FACTORY

Lot No. : \_\_\_\_\_

Pack Date: \_\_\_\_\_

Date of Purchase: \_\_\_\_\_ (you should also keep your receipt)