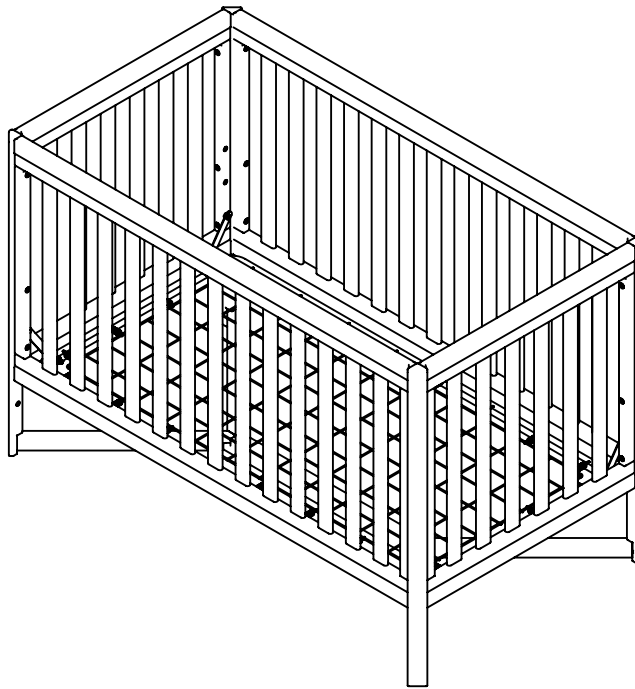


# Delta™

## Children's Products

### 4 in 1 Crib



Read all instructions before assembly and use.  
**KEEP INSTRUCTIONS FOR FUTURE USE.**

**▲ ADULT ASSEMBLY REQUIRED**

Due to the presence of small parts during assembly, keep out of reach of children until assembly is complete.

**THIS PRODUCT IS NOT INTENDED FOR INSTITUTIONAL OR COMMERCIAL USE.**

Consumer Care:  
[www.DeltaChildren.com](http://www.DeltaChildren.com)

Delta Children's Products  
114 West 26th Street  
New York, NY 10001  
Tele. 212-645-9033

Style #: \_\_\_\_\_  
Lot: \_\_\_\_\_  
Date: \_\_\_\_\_



When contacting Delta Consumer Care please reference the above information. Before contacting Delta Consumer Care please ensure that the information above matches the information found on the label on the Crib End bottom rail, please reference the information found on the product when contacting Delta Consumer Care.

To register your product for important safety alerts and updates to your product please visit [www.DeltaChildren.com](http://www.DeltaChildren.com) and click on Product Registration.

## ⚠️ CAUTION:

ANY MATTRESS USED IN THIS CRIB SHALL BE AT LEAST 27 1/4 BY 51 5/8 IN. WITH A THICKNESS NOT EXCEEDING 6 IN.

## ⚠️ WARNING:

- \*Infants can suffocate on soft bedding. Never add a pillow or comforter. Never place additional padding under an infant.
- \*Failure to follow these warnings and the assembly instructions could result in serious injury or death. DO NOT use this crib if you cannot exactly follow the accompanying instructions.
- \*To reduce the risk of SIDS, pediatricians recommend healthy infants be placed on their backs to sleep, unless otherwise advised by your physician.
- \***Strangulation Hazard:** STRINGS CAN CAUSE STRANGULATION! **Do not** place items with a string around a child's neck, such as hood strings or pacifier cords. **Do not** suspend strings over a crib or attach strings to toys.
- \***Strangulation Hazard:** To help prevent strangulation tighten all fasteners. A child can trap parts of the body or clothing on loose fasteners.
- \***Strangulation Hazard:** **Do not** place crib near window or patio door where cords from blinds or drapes may strangle a child.
- \***Fall Hazard:** When child is able to pull to a standing position, set mattress to lowest position and remove bumper pads, large toys and other objects that could serve as steps for climbing out. This crib has an adjustable mattress support. For the convenience of the parent when the baby is very small, the mattress support may be used in the highest position. Important: with the mattress support and mattress in the highest position, be absolutely sure that the top of the front crib side is at least 3 inches higher than the top surface of the mattress. If it is not, lower the mattress support and the mattress to the next highest position.
- \***Fall Hazard:** Stop using crib when child begins to climb out or reaches a height of 35in. (89cm), whichever occurs first. The child should be placed in a youth or regular bed.
- \*Check this product for damaged hardware, loose joints, loose bolts or other fasteners, missing parts, or sharp edges before and after assembly and frequently during use. Securely tighten loose bolts and other fasteners. **Do not use crib** if any parts are missing, damaged or broken. Contact Delta Children's Products for replacement parts and instructional literature if needed. Do not substitute parts.
- \*Follow warnings on **all** products in a crib.
- \*If refinishing, use a non-toxic finish specified for children's products.
- \***Never** use plastic shipping bags or other plastic film as mattress covers because they can cause suffocation.
- \*Infants can suffocate in gaps between crib sides and a mattress that is too small.
- \*Ensure a safe environment for the child by checking regularly, before placing the child in the crib, that every component is properly and securely in place.
- \*To avoid head injury, do not allow any child to play underneath the crib.
- \***Never** add an accessory such as a bassinet or changing table that extends over the sleeping area.
- \***In Canada Only** - Use a crib mattress that is no thicker than 15 cm and is of such a size that, when it is pushed firmly against any side of the crib, it does not leave a gap of more than 3 cm between the mattress and any part of the sides of the crib. Do not use this crib for a child who can climb out of it or who is taller than 90 cm.

# TODDLER BED

## **⚠WARNING**

### **INFANTS HAVE DIED IN TODDLER BEDS FROM ENTRAPMENT.**

Openings in and between bed parts can entrap head and neck of a small child.

NEVER use bed with children younger than 15 months.

ALWAYS follow assembly instructions.

The maximum user weight is 50lbs (22.7kg)

## **⚠WARNING**

### **STRANGULATION HAZARD**

NEVER place bed near windows where cords from blinds or drapes may strangle a child.

NEVER suspend strings over a bed.

NEVER place items with a string, cord, or ribbon, such as hood strings or pacifier cords, around a child's neck. These items may catch on bed parts.

## **⚠CAUTION**

### **ENTRAPMENT HAZARD**

To avoid dangerous gaps, any mattress used in this bed shall be a full-size crib mattress at least 51 5/8 in (1310mm) in length, 27 1/4 in (690mm) in width and 4 in (100mm) in thickness. The mattress thickness must not exceed 6 in (150mm).

### **NOTES ON ASSEMBLY:**

- During the assembly process whenever using screws or bolts, check each by placing the screw/bolt on the diagram of the item which is drawn actual size and design. Be sure to use the proper size and shape specified in the instructions.
- To assemble this unit you may be required to place the unit on it's side and face. It is strongly recommended that assembly is done on a soft, non-abrasive surface (such as the foam packing wrap) to avoid damaging the finish.

### **NOTES ON USE:**

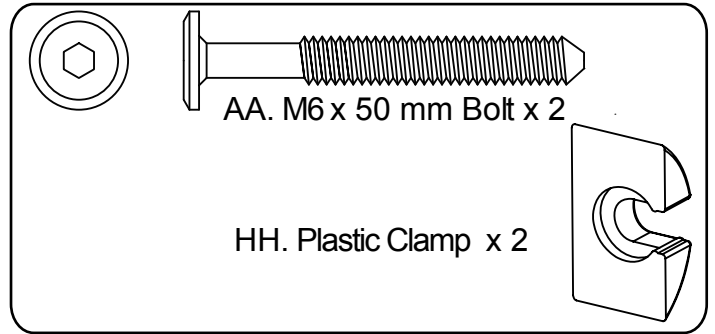
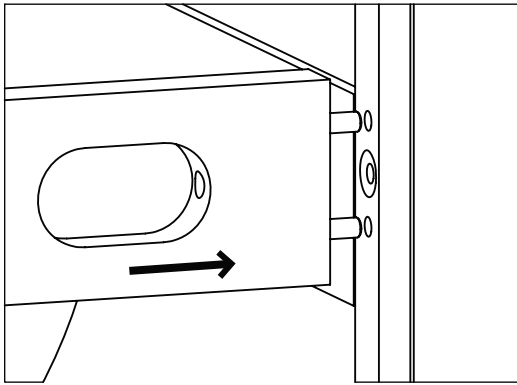
Keep children and others safe by following these simple rules:

- **Do not** allow any child to play on furniture
- **Do not** allow climbing on any piece of furniture.
- **Do not** allow hanging from any piece of furniture.
- Always monitor your child's activity when in the nursery.

### **NOTES ON CARE AND MAINTENANCE:**

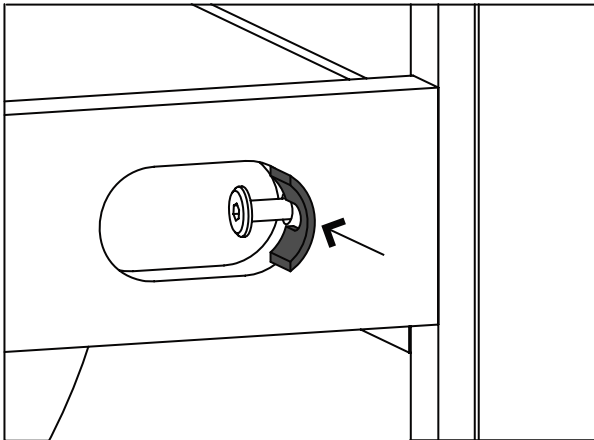
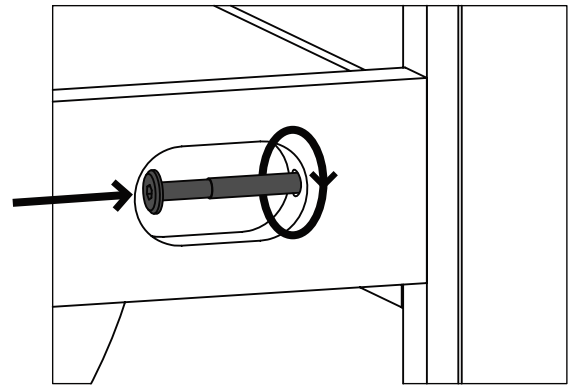
- **Do not** scratch or chip the finish.
- Inspect the product periodically, contact Delta Children's Products for replacement parts or questions.
- **Do not** store the product or any parts in extreme temperatures and conditions such as a hot attic or a damp, cold basement. These extremes can cause a loss of structural integrity.
- To preserve the luster of the high quality finish on your product, it is recommended to place a doily or felt pad under any items you place on the finish.
- Clean with a damp cloth, then a dry cloth to preserve the original luster and beauty of this fine finish.
- Do not** use abrasive chemicals.
- Do not** spray cleaners directly onto furniture.
- Lift slightly when moving on carpeting to prevent leg breakage.
- Use of a vaporizer near furniture will cause wood to swell and finish to peel.

# HARDWARE SYSTEM - REVIEW BEFORE ASSEMBLY



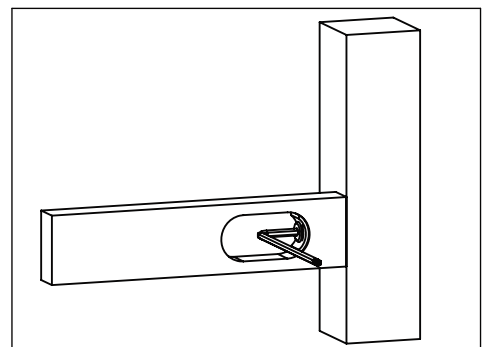
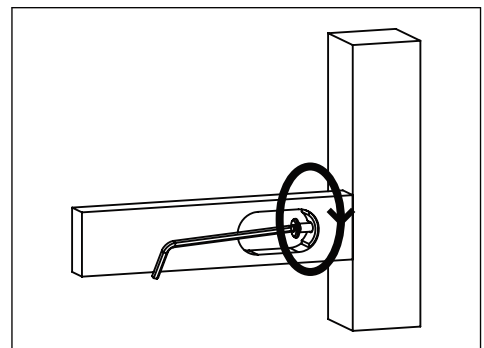
1. Insert the Dowels in the Rail into the holes in the Post.

2. Insert the Bolt into the slot. Turn clockwise with fingers or the Allen wrench provided. DO NOT fully tighten, leave 1/2" (12mm) exposed.



3. Slide the Plastic Clamp over the exposed bolt, behind the head of the bolt. Tighten the bolt with the Allen wrench provided.

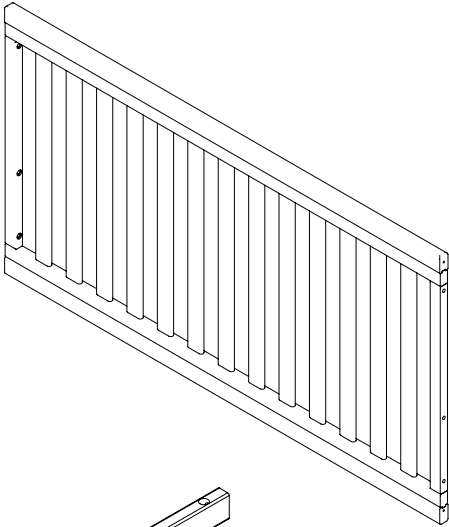
Install (1) bolt and (1) Plastic Clamp at a time. Tighten until it looks like the picture.



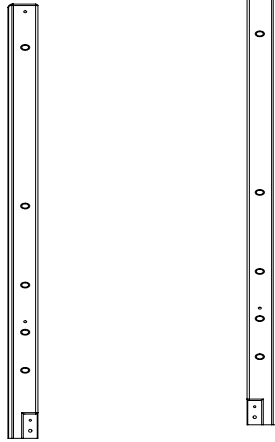
**Ensure all bolts are tightened.**

**PARTS:** MAKE SURE THAT ALL PRE-ASSEMBLED PARTS ARE TIGHT.  
**HARDWARE KIT PART #24683.**

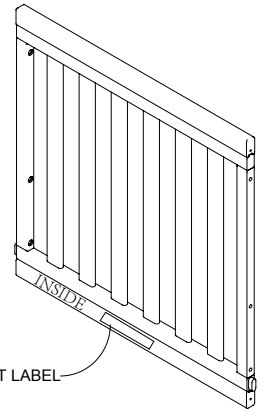
A. SIDE x 2  
 Part #24674



D. Left Post x 2  
 Part #24677



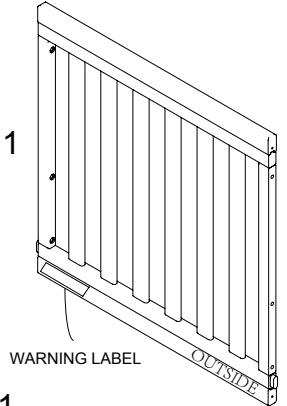
B. Left Crib End x 1  
 Part# 24675



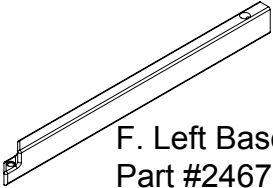
E. Right Post x 2  
 Part #24678



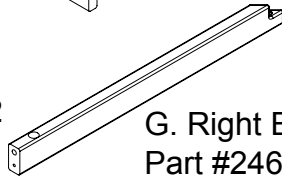
C. Right Crib End x 1  
 Part #24676



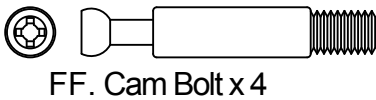
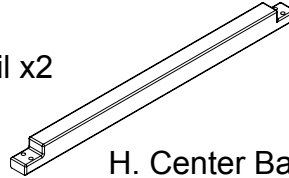
F. Left Base Rail x2  
 Part #24679



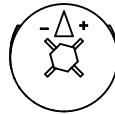
G. Right Base Rail x2  
 Part #24679



H. Center Base Rail x1  
 Part #24681



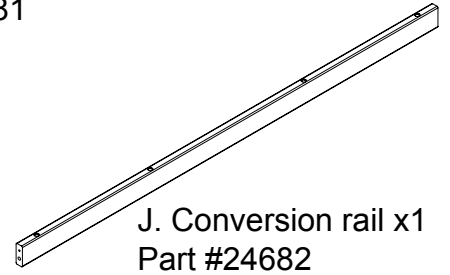
FF. Cam Bolt x 4



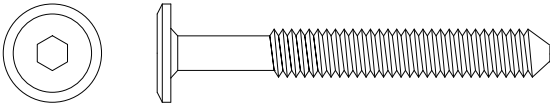
GG. Cam Lock x4



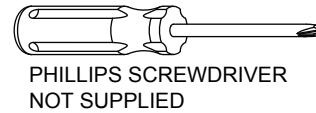
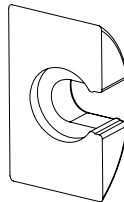
HH. Plastic Clamp x 2



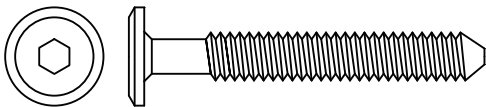
J. Conversion rail x1  
 Part #24682



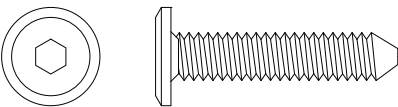
AA. M6 x 50 mm Bolt x 2



PHILLIPS SCREWDRIVER  
 NOT SUPPLIED

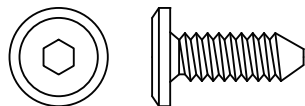


BB. M6 x 45 mm Bolt x 24



CC. M6 x 30 mm Bolt x 4

M4 Ball End Hex Wrench  
 Included



DD. M6 x 18 mm Bolt x 8

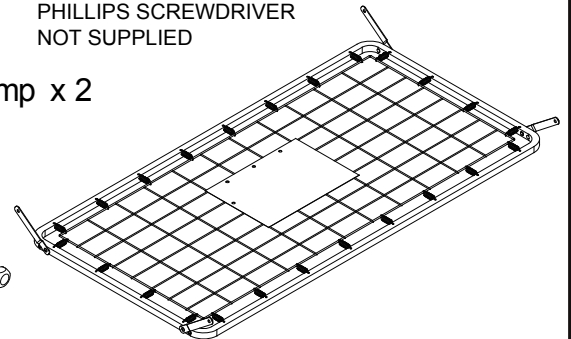


EE.  $\Phi 3$  x 32 mm Metal  
 Pin x 20



No drills necessary. Do not use power screwdriver.

L. Mattress Support x 1  
 Part #23742



POUCH ATTACHED TO MATTRESS SUPPORT - KEEP INSTRUCTIONS IN THIS POUCH AFTER ASSEMBLY. WARNINGS RELATED TO THE SAFE USE OF THIS CRIB ARE PRINTED ON THE POUCH.

# Section 1: Crib Assembly

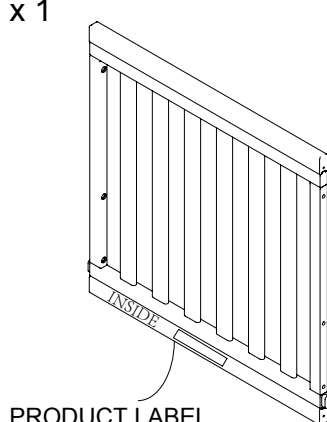
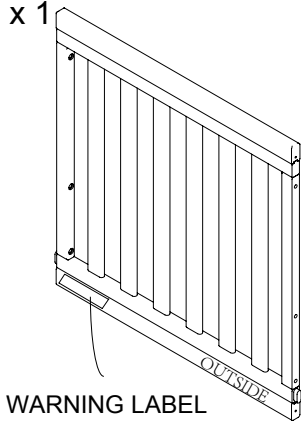
## Step 1

Parts and tools required to complete step.

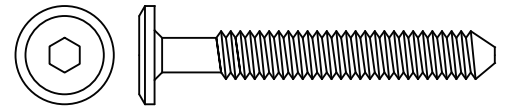
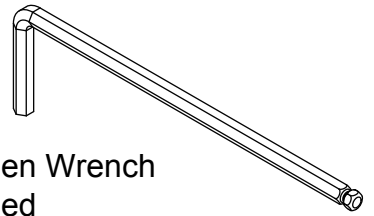
C. Right Crib End  
x 1

B. Left Crib End  
x 1

D. Left Post x 2



M4 Allen Wrench  
Supplied



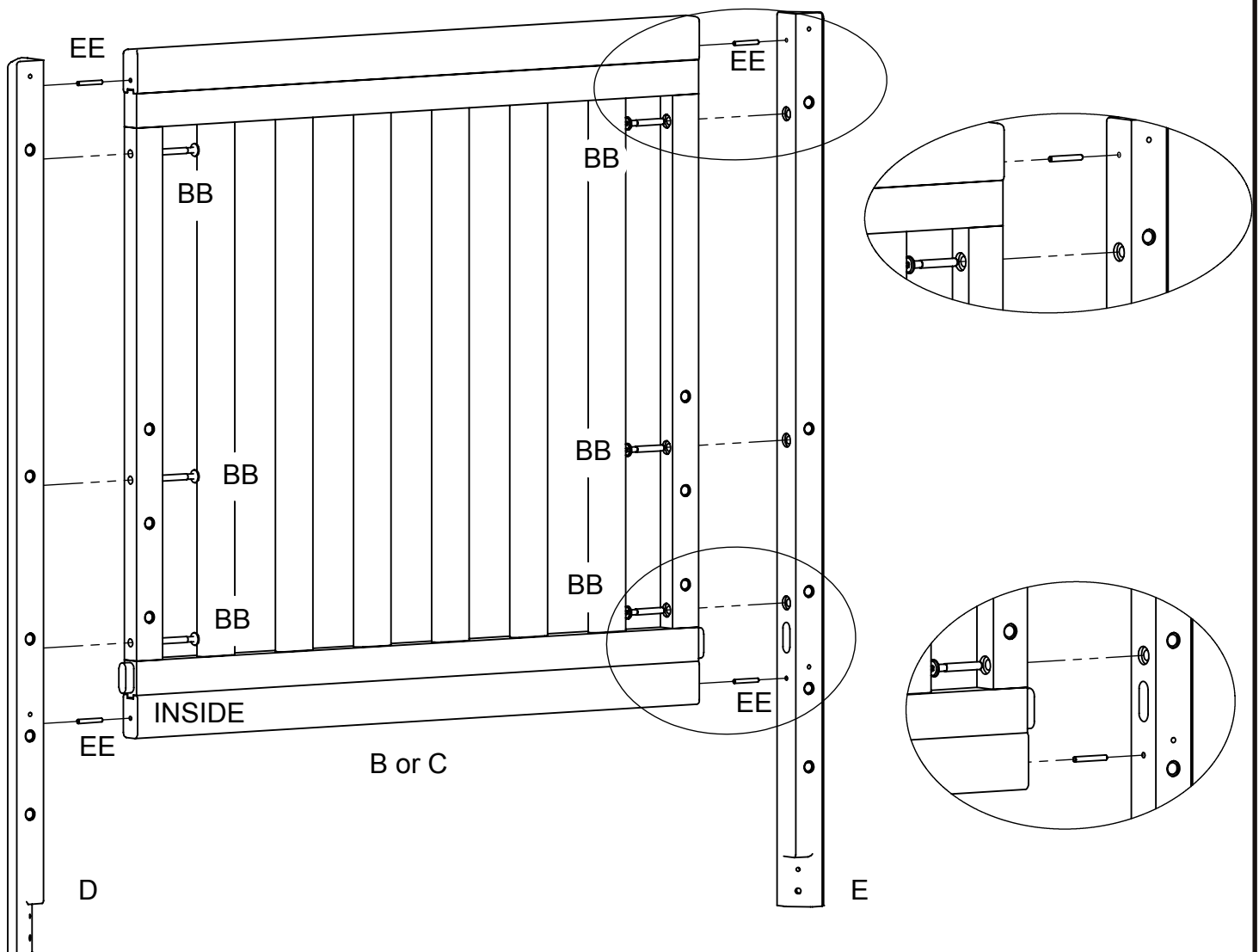
BB. M6 x 45 mm Bolt x 12



EE. Φ3 x 32 mm Metal  
Pin x 8

E. Right Post x 2

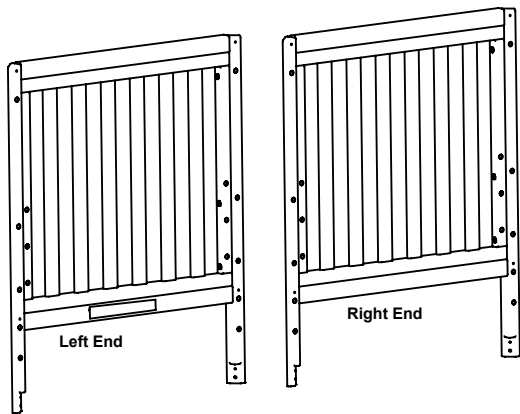
Attach (1) Left Post (Part D) and (1) Right Post (Part E) to the (1) Left Crib End (Part B) using (4) Φ3 X 32mm Metal Pins (Part EE) and (6) M6x45mm Bolts (Part BB). Tighten with the M4 Allen Wrench. Make sure Product label Faces inside. Repeat with the Right Crib End (Part C).



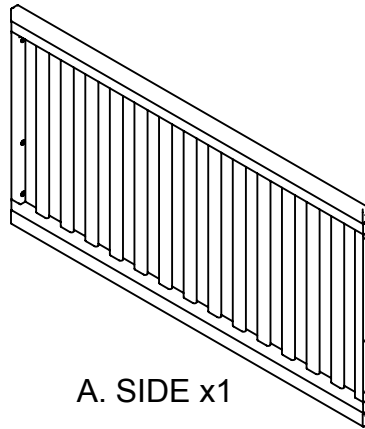
# Section 1: Crib Assembly

## Step 2

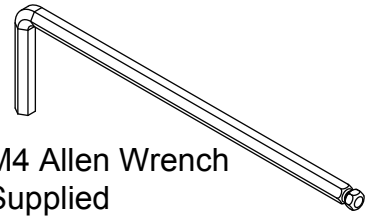
Parts and tools required to complete step.



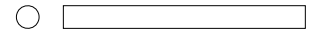
From Step 1



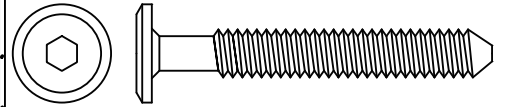
A. SIDE x1



M4 Allen Wrench  
Supplied



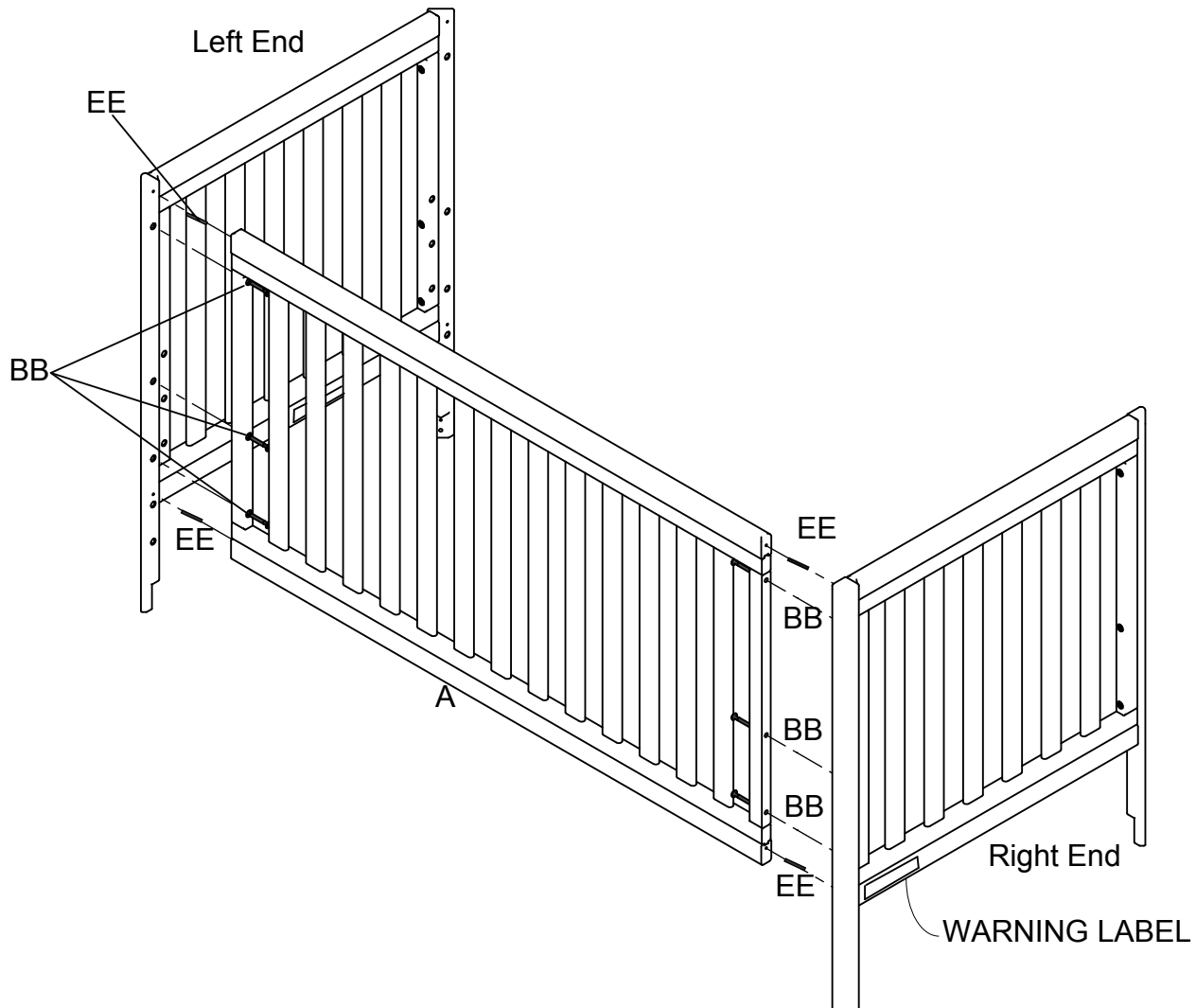
EE.  $\Phi 3$  x 32 mm Metal  
Pin x 4



BB. M6 x 45 mm Bolt x 6

Attach (1) Crib Side (Part A) to the assemblies from Step 1 using (6)M6x45 Bolts (Part BB) and (4) Metal Pins (Part EE).

Tighten bolts with the M4 Allen Wrench.



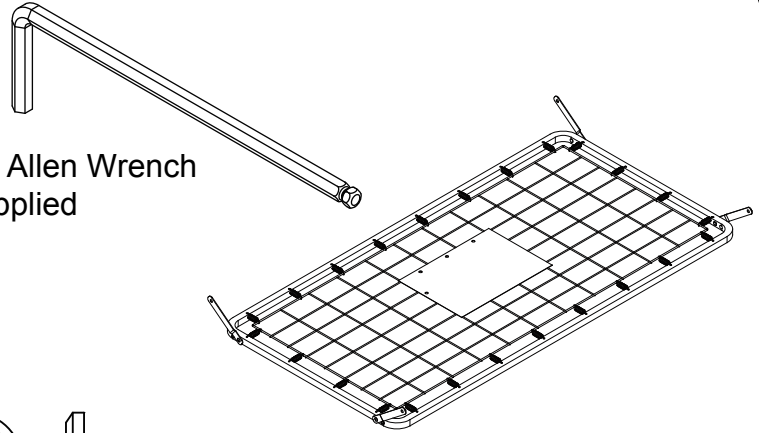
# Section 1: Crib Assembly

## Step 3

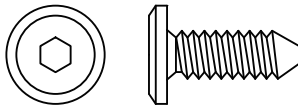
Parts and tools required to complete step.



M4 Allen Wrench  
Supplied



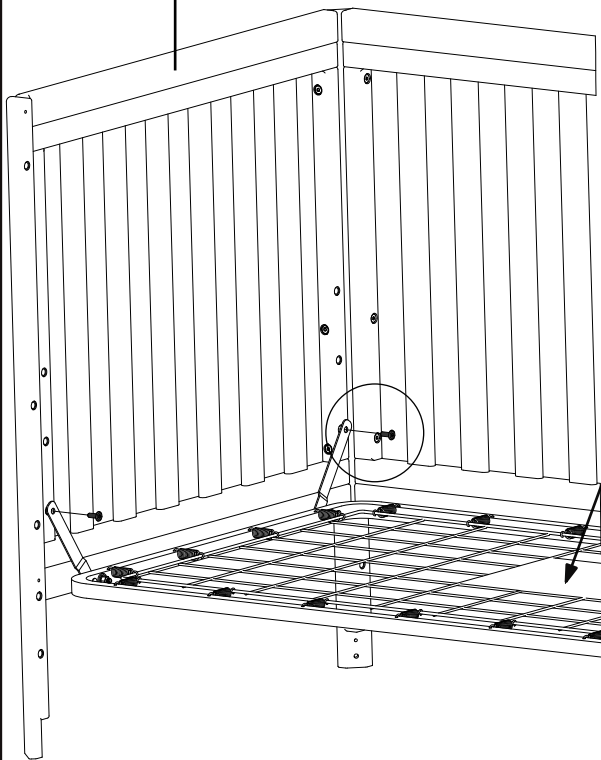
L. Mattress Support x 1




DD. M6 x 18 mm Bolt x 4

Attach the Mattress Support (Part L) in all corners using (1) M6X18 mm Bolt (Part DD) in each corner. Tighten with the M4 Allen Wrench.

UP

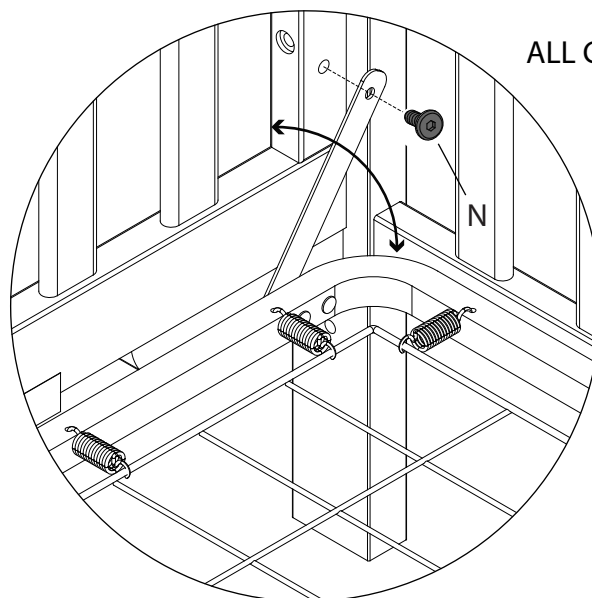


The  Warnings printed on the pouch attached to the mattress support must face up, the springs must face up. This crib has (3) adjustment positions, use the highest only for new borns, move the mattress down as the child grows.

### **WARNING:**

**Fall Hazard:** When child is able to pull to a standing position, set mattress to lowest position and remove bumper pads, large toys and other objects that could serve as steps for climbing out.

 **WARNINGS ON POUCH MUST FACE UP.**



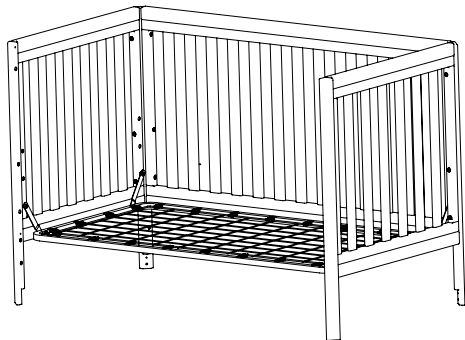
ALL CORNERS



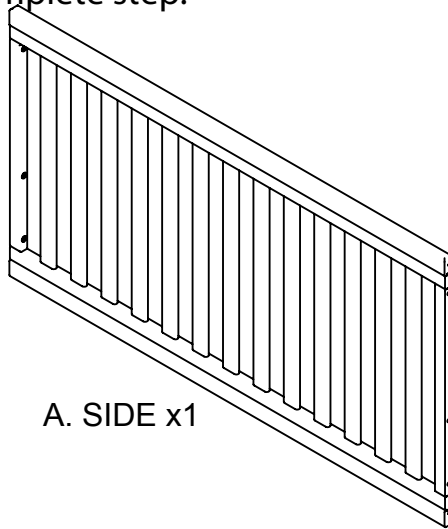
# Section 1: Crib Assembly

## Step 4

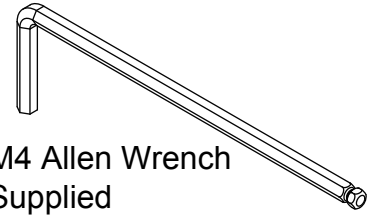
Parts and tools required to complete step.



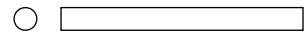
From Step 3



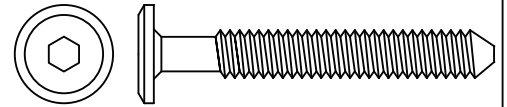
A. SIDE x1



M4 Allen Wrench  
Supplied

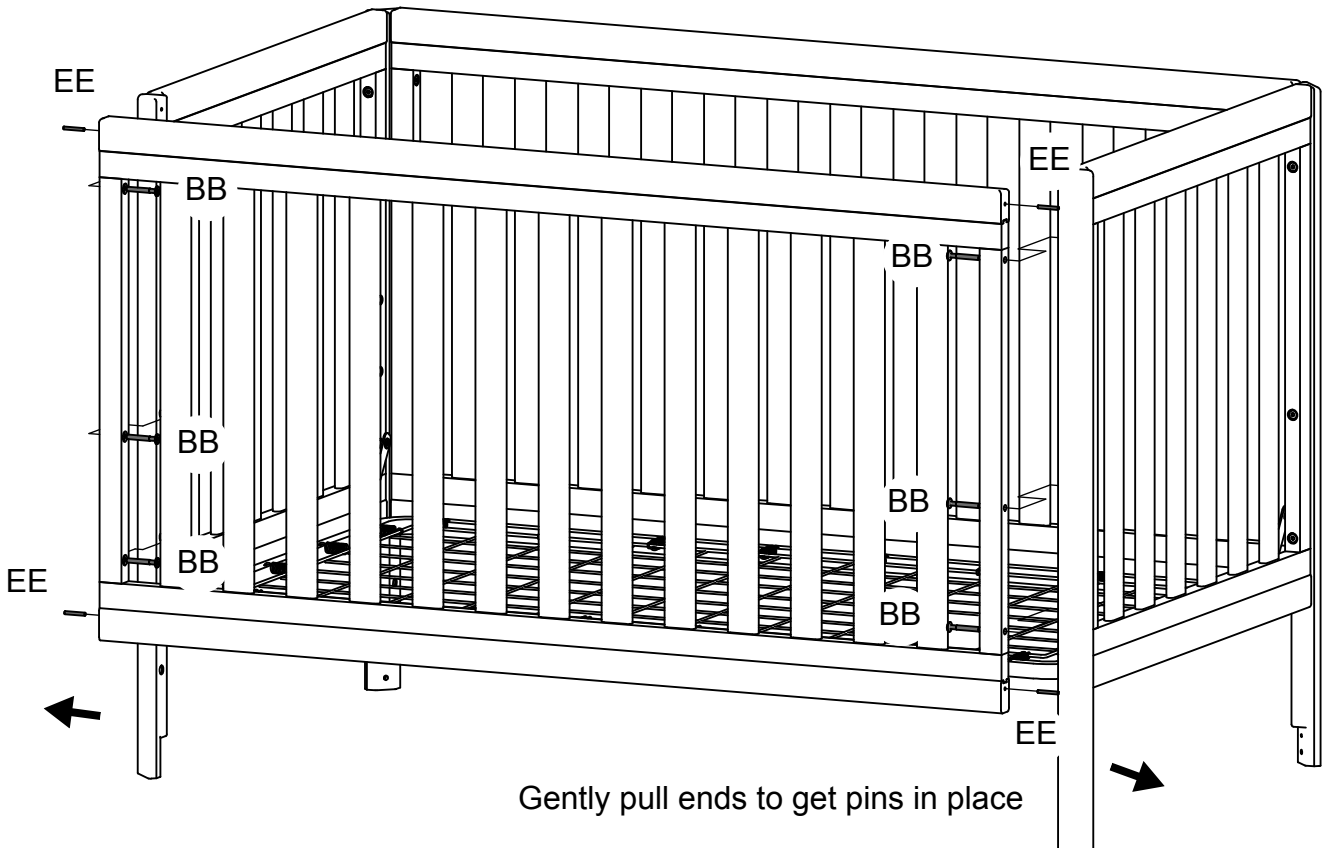
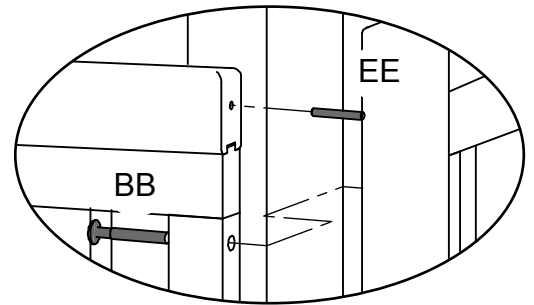


EE.  $\Phi 3 \times 32$  mm Metal  
Pin x 4



BB. M6 x 45 mm Bolt x 6

Attach Crib side (Part A) to the assembly from Step 3 using (4)  $\Phi 3 \times 32$ mm Metal Pins (Part EE) and (6) M6x45mm Bolts (Part BB). Tighten with the M4 Allen Wrench.



Gently pull ends to get pins in place

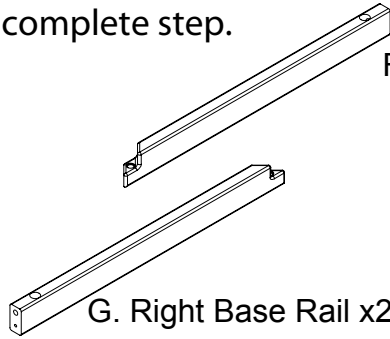
# Section 1: Crib Assembly

## Step 5A

Parts and tools required to complete step.

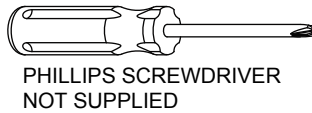


From Step 4



F. Left Base Rail x2

G. Right Base Rail x2



PHILLIPS SCREWDRIVER  
NOT SUPPLIED

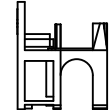
M4 Allen Wrench  
Supplied



EE.  $\Phi 3 \times 32$  mm Metal  
Pin x 4



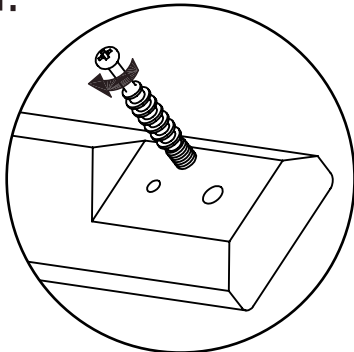
FF. Cam Bolt x 4



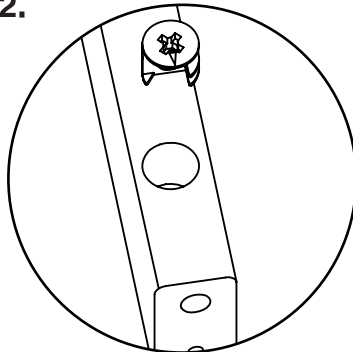
GG. Cam Lock x4

Lay Crib on it's side and attach (1) Right Base Rail (Part G) and (1) Left Base Rail (Part F) using (2) Metal Pins (Part EE), (2) Cam Bolts (Part FF), and (2) Cam Locks (Part GG). Tighten the Cam Bolts (Part FF) with a Phillips Screwdriver, tighten the Cam Locks (Part GG) with the M4 Allen Wrench. Repeat for Other Side.

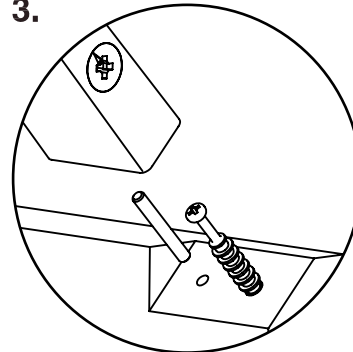
1.



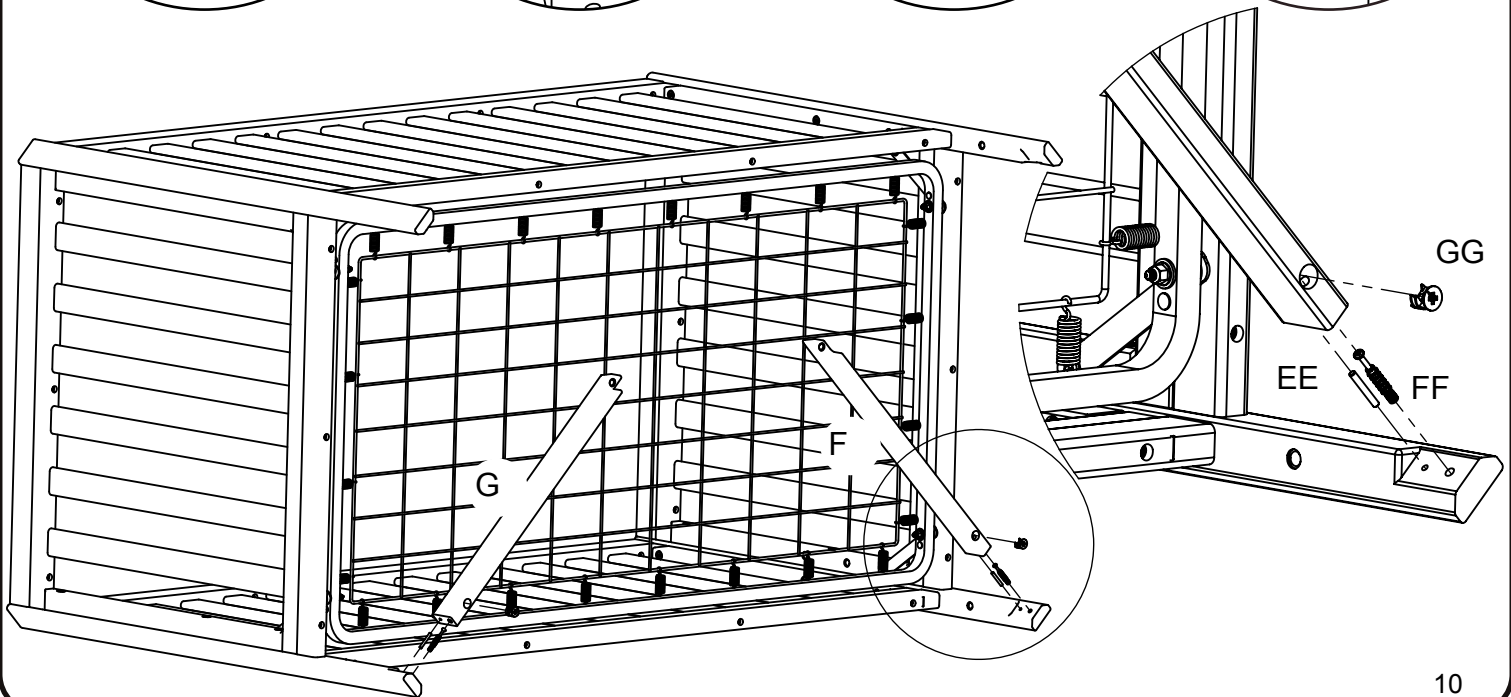
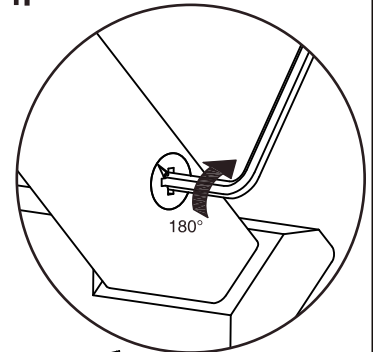
2.



3.

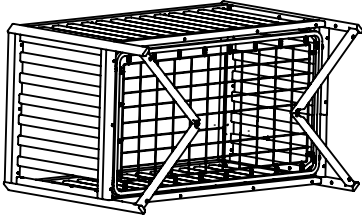


4.

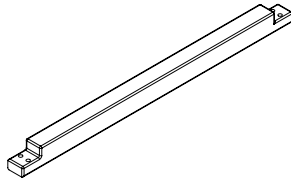


# Section 1: Crib Assembly

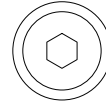
## Step 5B



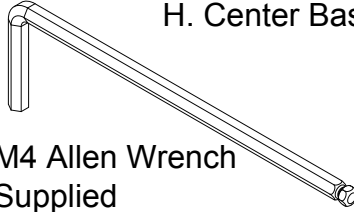
From Step 5A



H. Center Base Rail x1

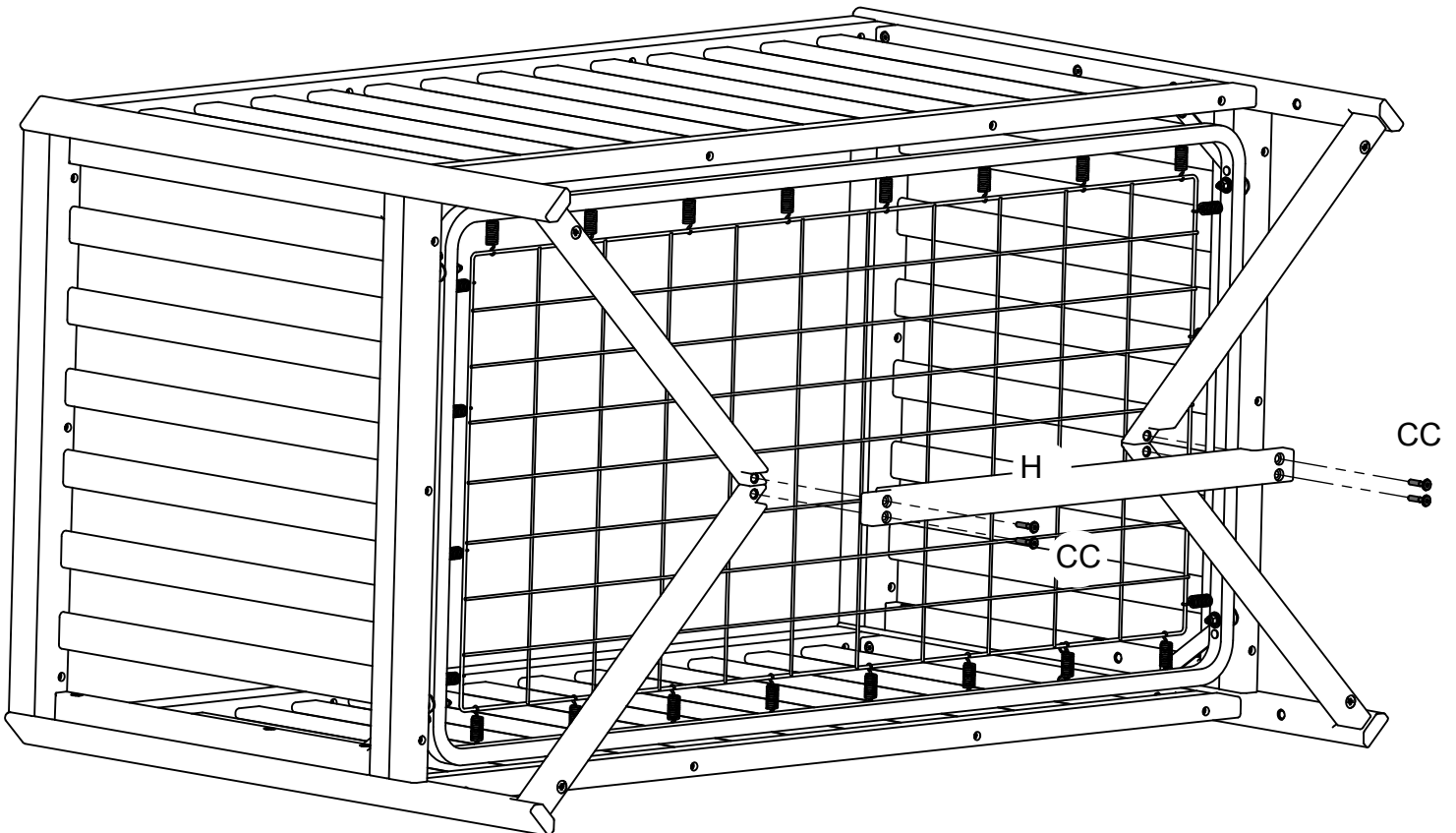


CC. M6 x 30 mm Bolt x 4



M4 Allen Wrench  
Supplied

Attach Center Base Rail (Part H) Using (4) M6 x 30mm Bolt (Part CC).  
Tighten with M4 Hex Wrench.



# Section 1: Crib Assembly

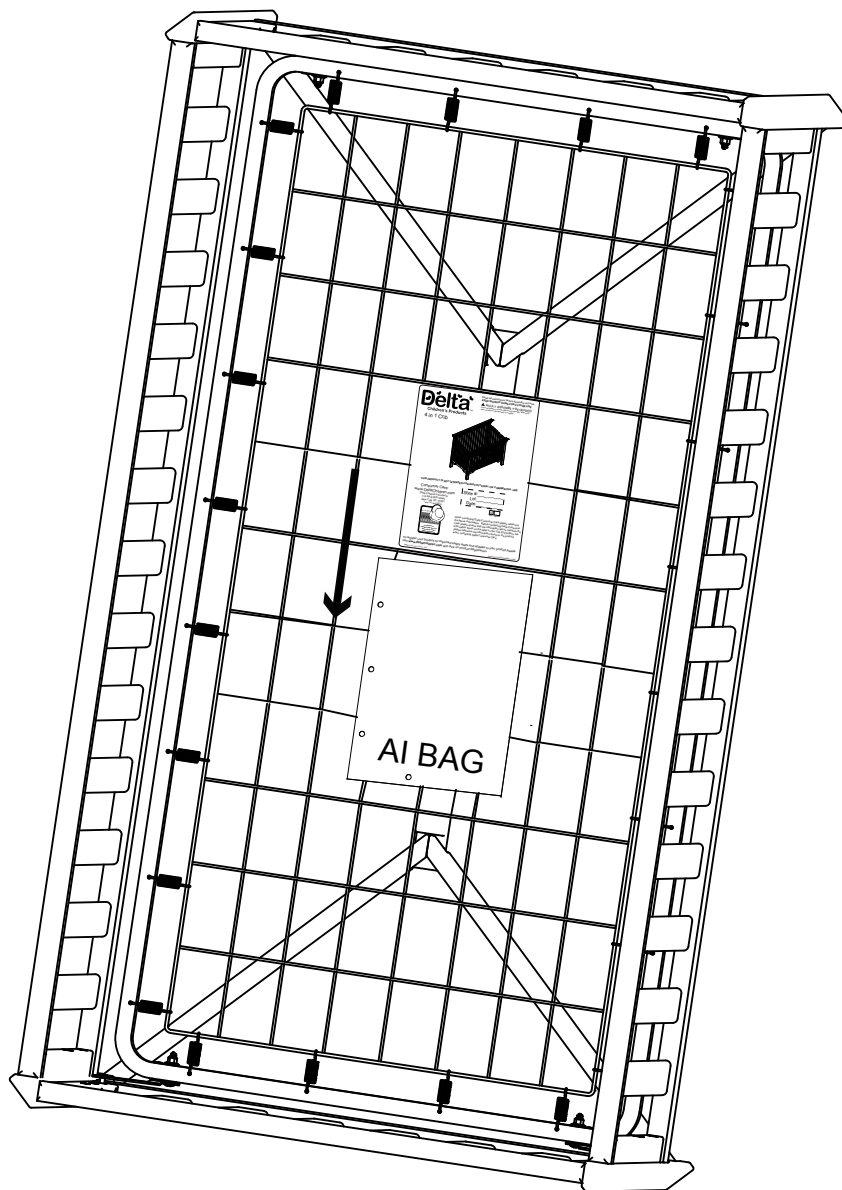
## Step 6

Parts and tools required to complete step.



Assembly Instruction  
Booklet

Store the assembly instruction booklet in the pouch attached to the mattress support. Store all parts and tools separately, in a safe place.

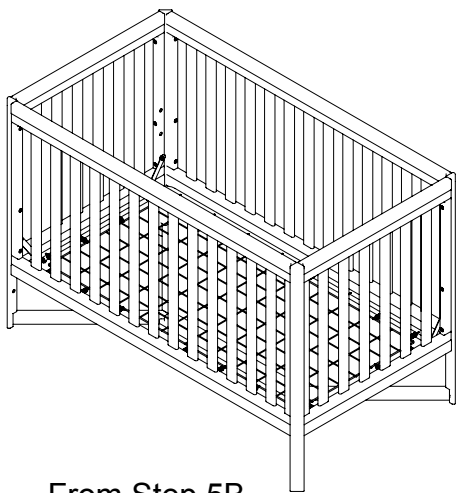


**⚠ WARNING: SEE PAGE 2 FOR INFORMATION**

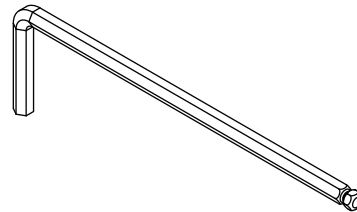
## Section 2: Toddler Bed Conversion

### Step 1

Parts and tools required to complete step.

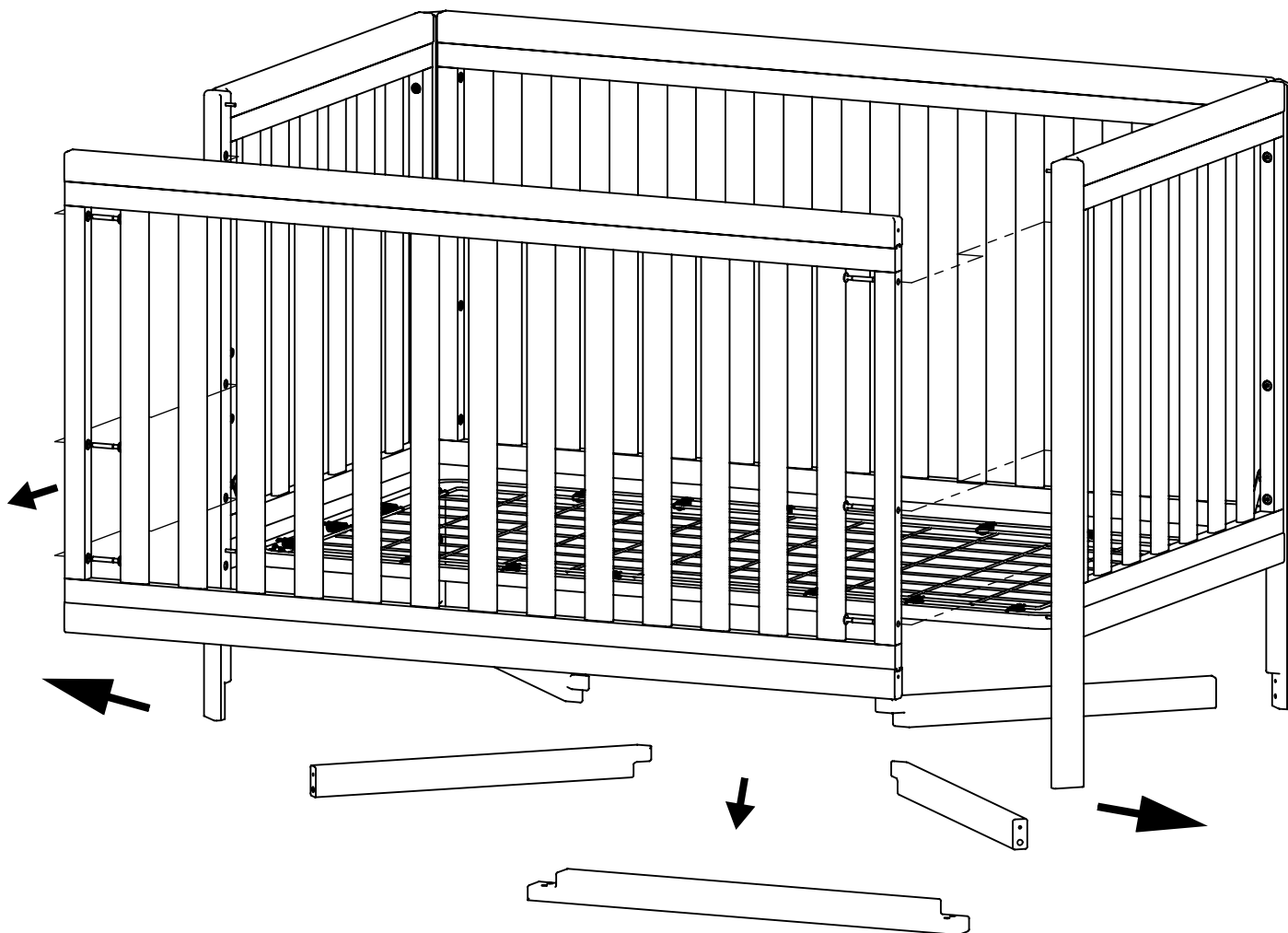


From Step 5B



M4 Allen Wrench  
Supplied

Remove the Base installed in Step 5 of Section 1.  
Remove the Side installed in Step 6 of Section 1.



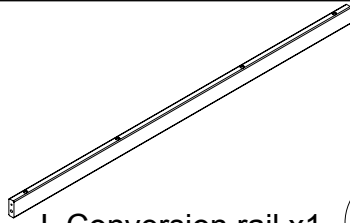
Gently pull ends to remove pins

## Section 2: Toddler Bed Conversion

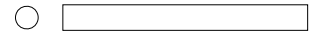
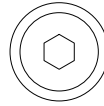
### Step 2



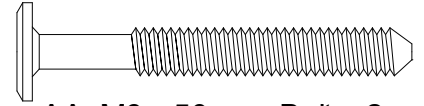
From Section 2:  
Step 1



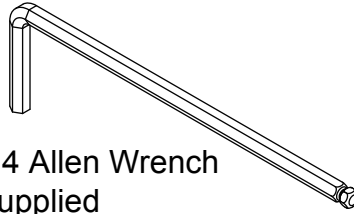
J. Conversion rail x1



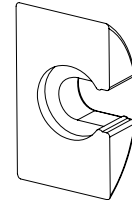
EE.  $\Phi 3$  x 32 mm Metal  
Pin x 2



AA. M6 x 50 mm Bolt x 2




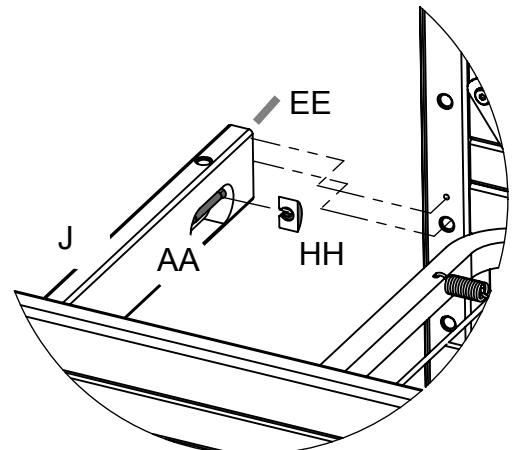
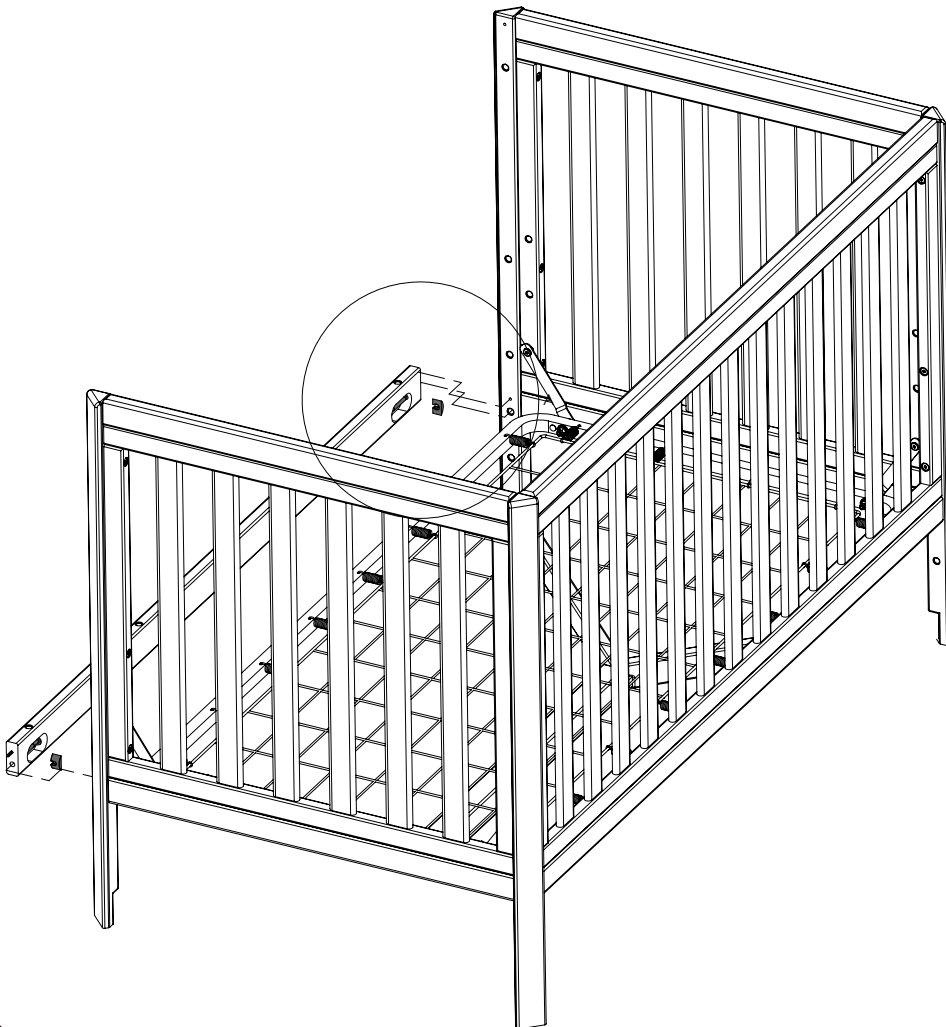
M4 Allen Wrench  
Supplied



HH. Plastic Clamp x 2

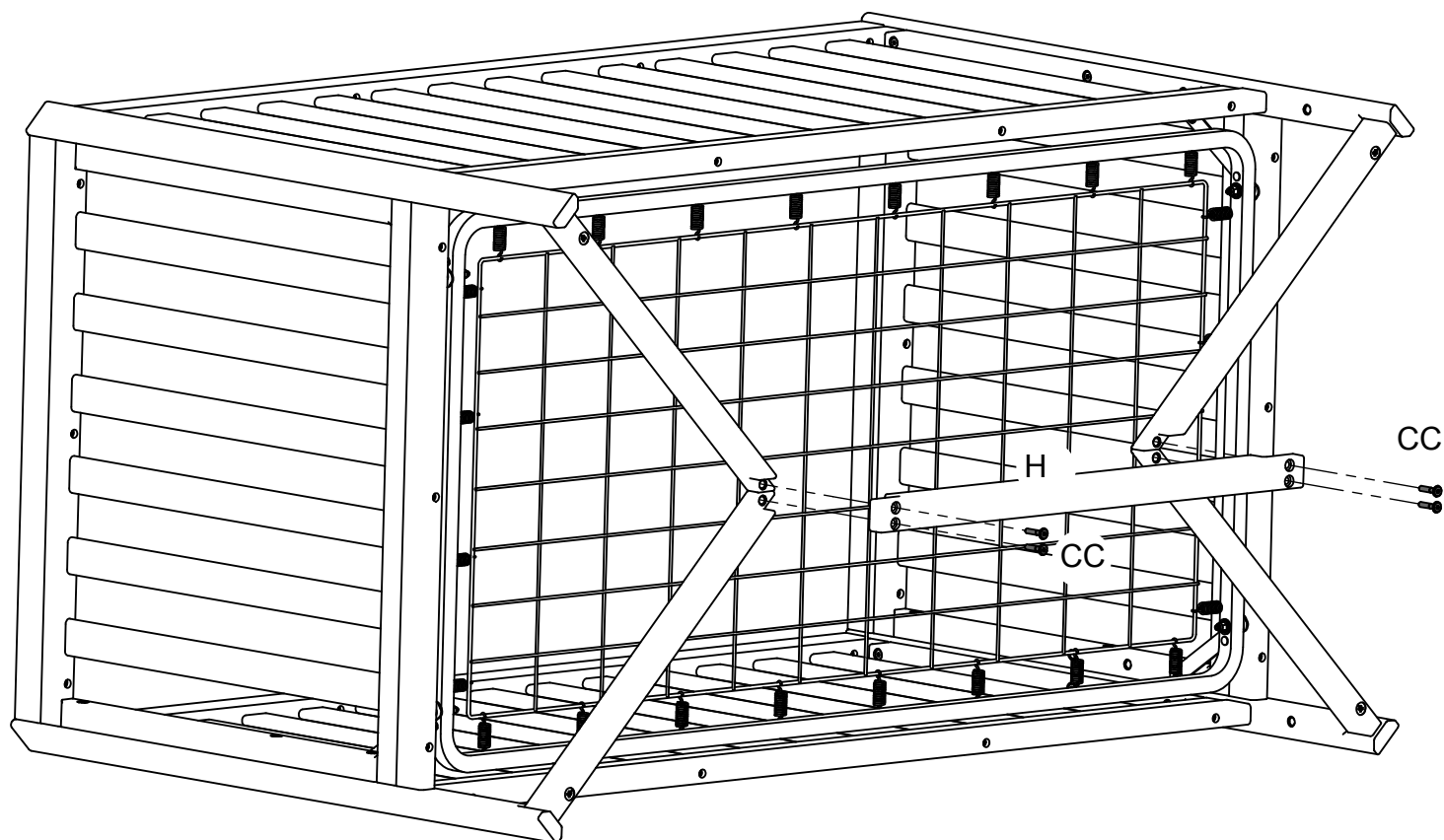
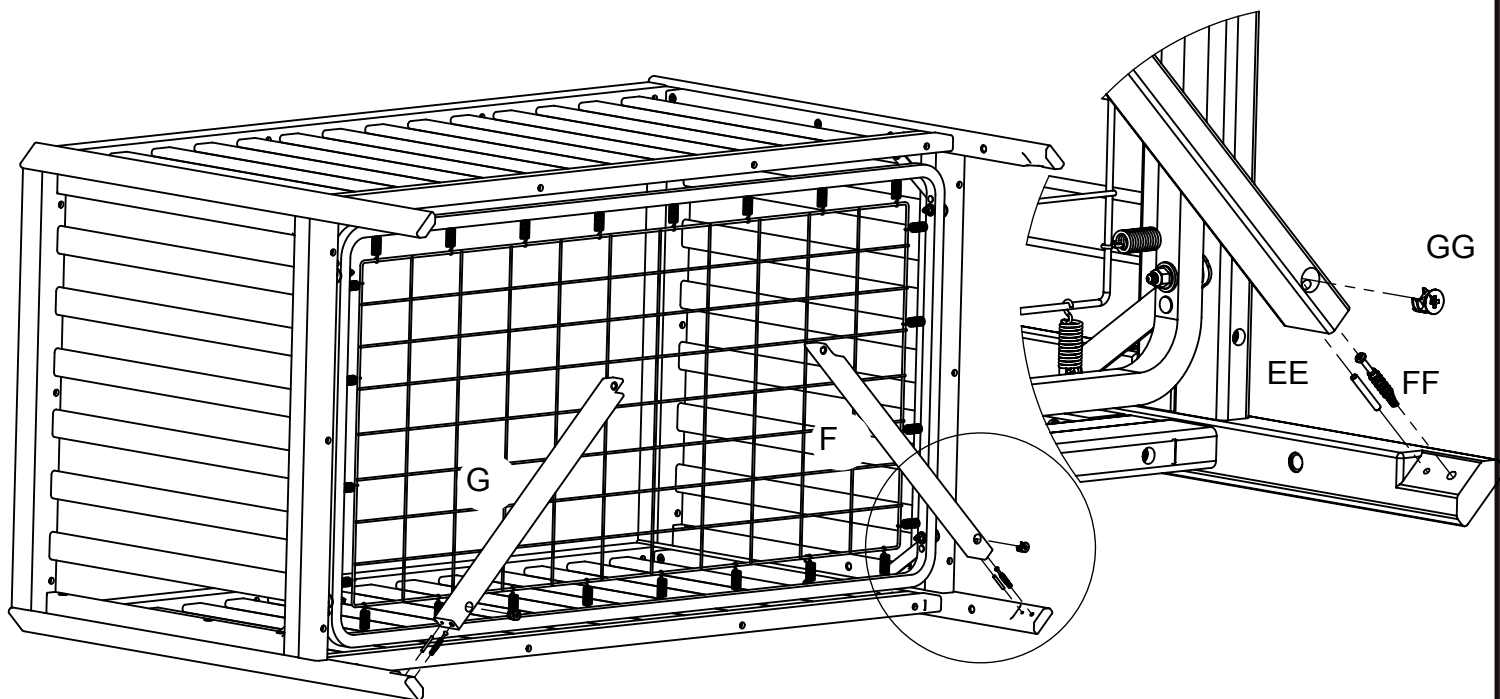
Install Conversion Rail to the Crib Front Using (2) Metal Pins (Part EE), (2) M6 x 50mm Bolts (Part AA) and (2) Plastic Clamps (Part HH).  
See page 4 for Hardware Instructions.

 Gently pull ends to get pins in place



## Section 2: Toddler Bed Conversion Step 2

Repeat Step 5 from Section 1



## Section 2: Toddler Bed Conversion Step 2

# **WARNING:** **SEE PAGE 3 FOR** **TODDLER BED WARNINGS**


The mattress support must be in the lowest position.

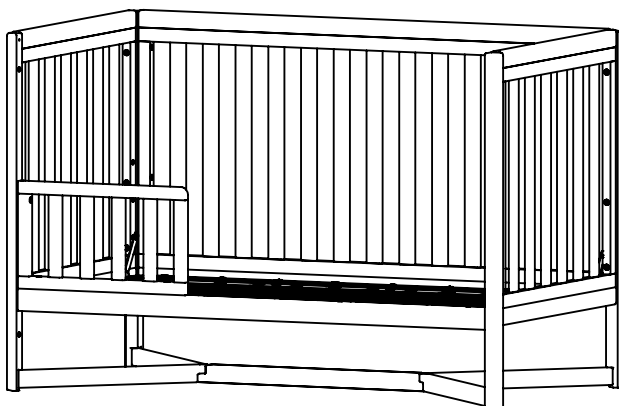
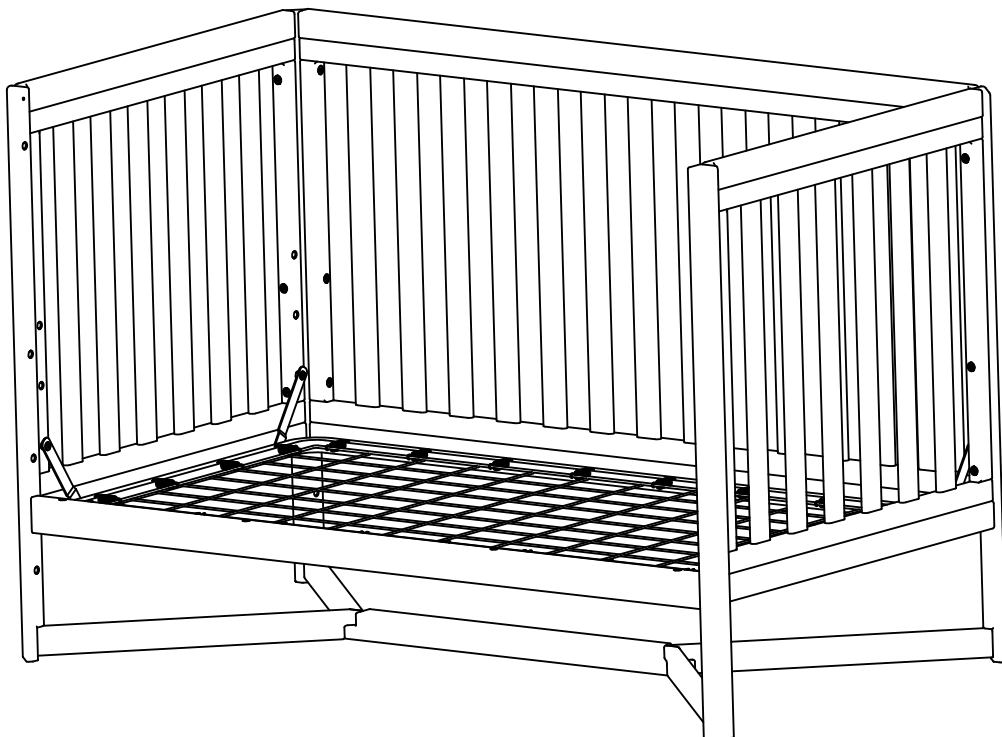
Store all hardware safely.

Read all warnings on page 3.

As shown, use as a day bed or love seat sofa.

Do Not use without stabilizer bar installed.

 Stabilizer bar must be used when converted to a toddler bed.



A toddler bed guardrail is available for this crib.

Please see your crib retailer, visit [www.DeltaChildren.com](http://www.DeltaChildren.com) or contact Delta Consumer Care for more information.

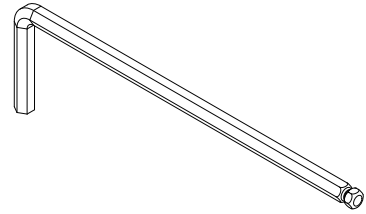
This crib uses Delta Style # 0080 Guardrail.



# Section 3: Full Size Bed Conversion

## Step 1

Parts and tools required to complete step.



M4 Allen Wrench Supplied

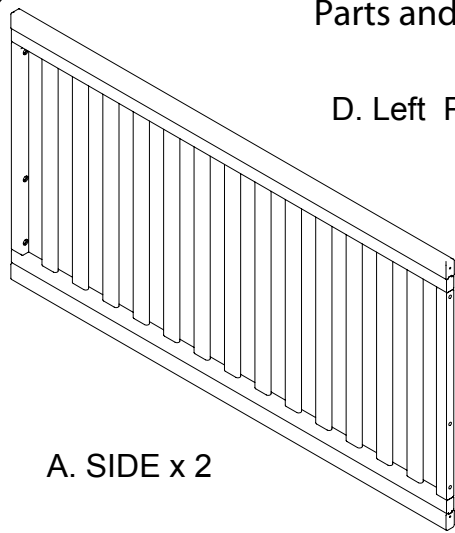
You have the option to convert the crib to a full size bed. Simply follow steps in reverse order to disassemble the crib. Store any unused parts and hardware safely out of the reach of small children. See page 3.



# Section 3: Full Size Bed Conversion

## Step 2

Parts and tools required to complete step.

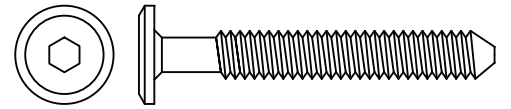


D. Left Post x 2

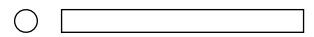


E. Right Post x 2

M4 Allen Wrench  
Supplied



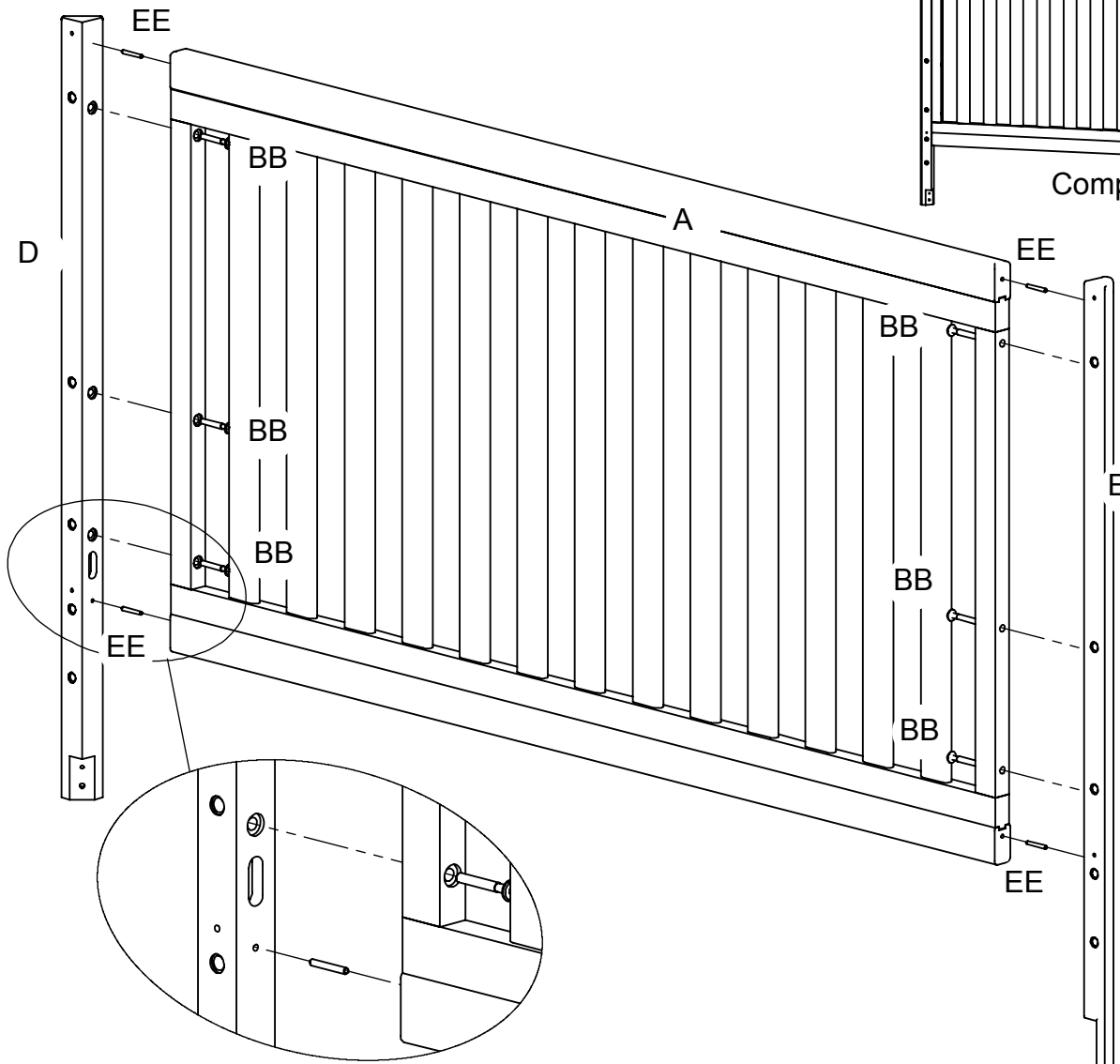
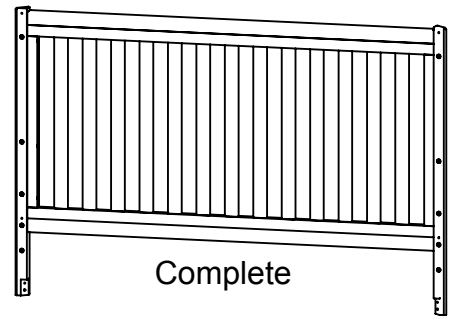
BB. M6 x 45 mm Bolt x 12



EE.  $\Phi 3$  x 32 mm Metal  
Pin x 8

To create the HeadBoard assemble (1) Left Post (Part D) and (1) Right Post (Part E) to the (1) Side Rail (Part A) using (4)  $\Phi 3$  x 32mm Metal Pins (Part EE) and (6) M6x45mm Bolts (Part BB).

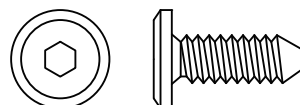
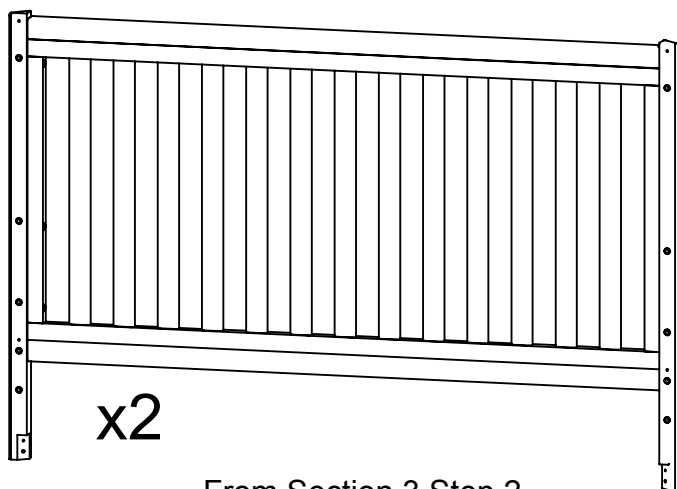
Repeat to create the Footboard.



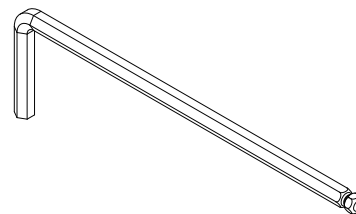
## Section 3: Full Size Bed Conversion

### Step 2

Parts and tools required to complete step.



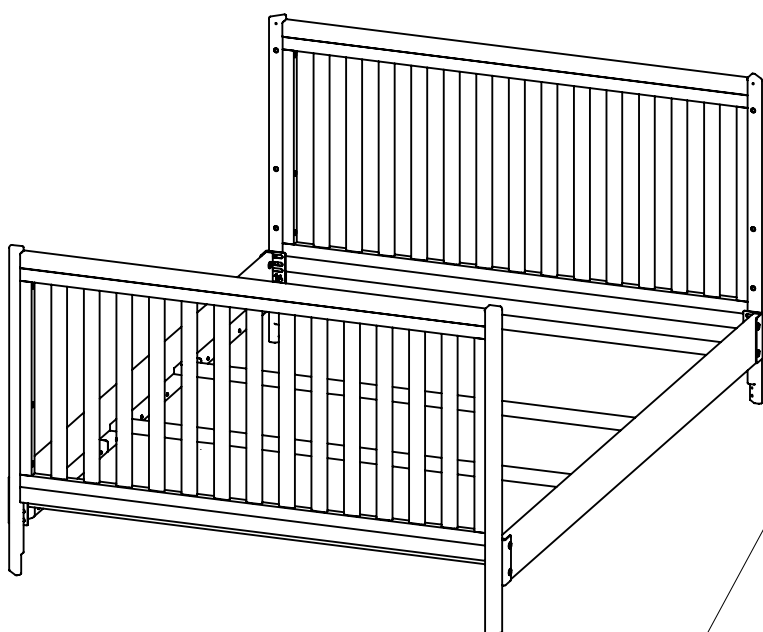
DD. M6 x 18 mm Bolt x 8



M4 Allen Wrench  
Supplied

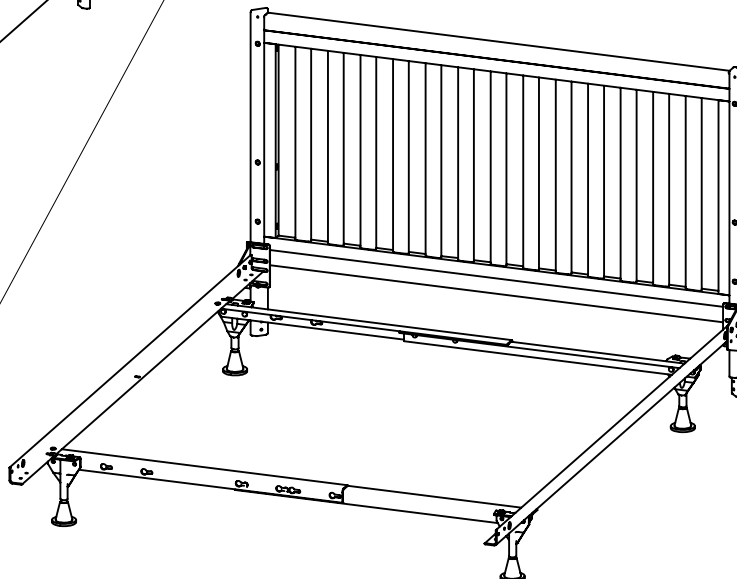
Attach Bed Frame to the Headboard (and Footboard) (From Section 3 Step 1) using M6 x 18mm Bolts (Part N). Follow all instructions supplied with the Bed Rails or Bed Frame.

**Note:** Bed system is not included, see your furniture or mattress retailer. Contact Delta Children's Products for information or with questions.



#### Use Delta 0050 Wood Bed Rails

NOTE: SHOWN AS A FULL SIZE HEADBOARD AND FOOTBOARD, NOT ALL BED FRAME SYSTEMS ALLOW USE OF A FOOTBOARD.



#### Use Delta 0040 Metal Bed Frame



## Children's Products

Consumer Care:

[www.DeltaChildren.com](http://www.DeltaChildren.com)

Delta Children's Products

114 West 26th Street

New York, NY 10001

Tele.212-645-9033

**Warranty:** This Delta Crib is warranted to be free from defects for a period of 1 year from the date of purchase under normal use. This warranty extends only to the original retail purchaser and is valid only when supplied with proof of purchase, or if received as a gift, when the registration is on file with Delta.

To register your product for important safety alerts and updates to your product please visit **[www.DeltaChildren.com](http://www.DeltaChildren.com)**

Please do not return this item to the store before contacting us about missing parts or with any questions.

To report a problem, please log on to **[www.DeltaChildren.com](http://www.DeltaChildren.com)** and click the Consumer Care Tab, or contact us by phone at (212) 645-9033.

In the event that you need to contact our customer service department please have the Style Number and Lot Number available. Use the space below to make note of those numbers. They can be found on the label on the Crib End bottom rail.

**STYLE No: 6792**

COLOR

REV

FTY

Lot No. : \_\_\_\_\_

Pack Date: \_\_\_\_\_

Date of Purchase: \_\_\_\_\_ (you should also keep your receipt)