

# Delta™

## Children's Products

### Cozy Crib

Read all instructions before assembly and use.  
**KEEP INSTRUCTIONS FOR FUTURE USE.**

**▲ ADULT ASSEMBLY REQUIRED**

Due to the presence of small parts during assembly, keep out of reach of children until assembly is complete.



**THIS PRODUCT IS NOT INTENDED FOR INSTITUTIONAL OR COMMERCIAL USE.**

Consumer Care:  
[www.DeltaChildren.com](http://www.DeltaChildren.com)

Delta Children's Products  
114 West 26th Street  
New York, NY 10001  
Tele.212-645-9033

Style #: \_\_\_\_\_  
Lot: \_\_\_\_\_  
Date: \_\_\_\_\_



When contacting Delta Consumer Care please reference the above information. Before contacting Delta Consumer Care please ensure that the information above matches the information found on the label on the Crib End bottom rail, please reference the information found on the product when contacting Delta Consumer Care.

To register your product for important safety alerts and updates to your product please visit [www.DeltaChildren.com](http://www.DeltaChildren.com) and click on Product Registration.

## CAUTION:

ANY MATTRESS USED IN THIS CRIB MUST BE AT LEAST 37 1/4 INCHES LONG BY 23 3/8 INCHES WIDE AND NOT MORE THAN 4 INCHES THICK.

## WARNING:

### INFANTS CAN SUFFOCATE

\*In gaps between a mattress too small or too thick and product sides.

\*On soft bedding. **Never** add a mattress, pillow, comforter or padding.

Use only the mattress provided by Delta Children's Products. (Which must be at least 37 1/4 inches long by 23 3/8 inches wide and not more than 4 inches thick.)

## WARNING:

Failure to follow these warnings and the instructions could result in serious injury or death. To reduce the risk of SIDS, pediatricians recommend healthy infants be placed on their backs to sleep, unless otherwise advised by your physician.

\***STRINGS CAN CAUSE STRANGULATION!** **Never** place items with a string around a child's neck, such as hood strings or pacifier cords. **Never** suspend strings over product or attach strings to toys.

\*The product, including side rails, must be fully erected prior to use.

\***Never** place product near a window where cords from blinds or drapes can strangle a child.

\*When child is able to pull to a standing position, set mattress to lowest adjustment position and remove bumper pads, large toys and other objects that could serve as steps for climbing out.

\*Discontinue use of the product when child is able to climb out or reaches the height of 35 in. (890 mm).

\***Never** use this product if there are any loose or missing fasteners, loose joints or broken parts. Check before assembly and frequently during use. Contact Delta Children's Products for replacement parts.

**Never** substitute parts.

\***Never** use a water mattress with this product.

\*If refinishing, use a non-toxic finish specified for children's products.

\***Never** use plastic shipping bags or other plastic film as mattress covers not sold and intended for that purpose. They can cause suffocation.

\*Ensure a safe environment for the child by checking regularly, before placing the child in the product, that every component is properly and securely in place.

\*To avoid head injury, do not allow any child to play underneath the product.

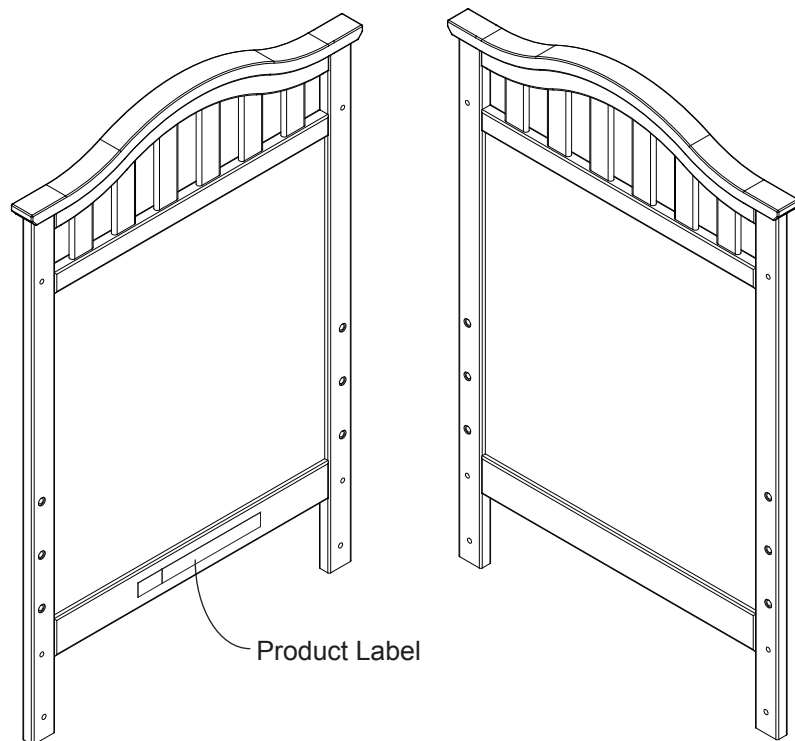
\*Always provide the supervision necessary for the continued safety of your child. When used for playing **never** leave child unattended.

\*Child can become entrapped and die when improvised netting or covers are placed on top of product. **Never** add such items to confine child in product.

\***Never** add an accessory such as a bassinet or changing table that extends over the sleeping area.

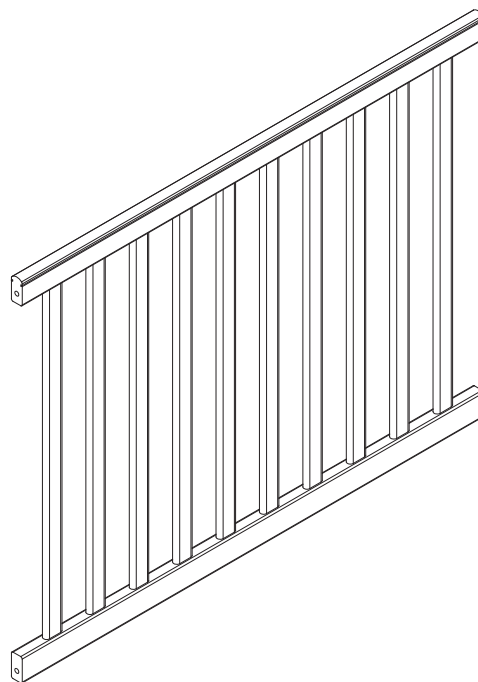
\*Replace Teething rail if damaged, cracked or loose.

# PARTS: MAKE SURE THAT ALL PRE-ASSEMBLED PARTS ARE TIGHT.

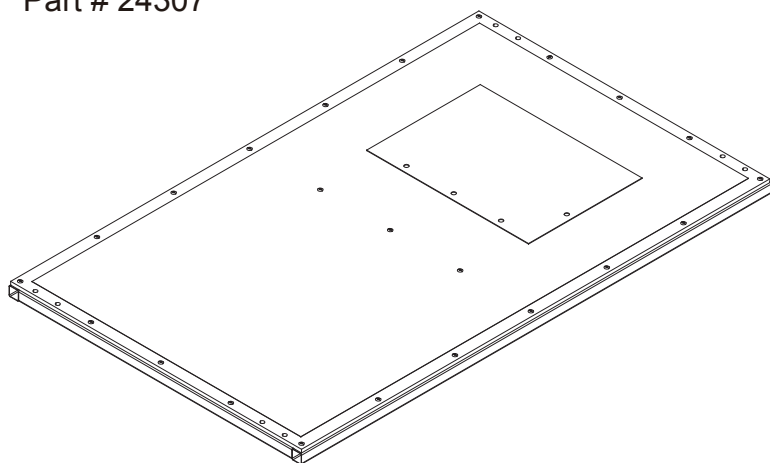


A. Crib End with Product Label x 1  
Part # 24307

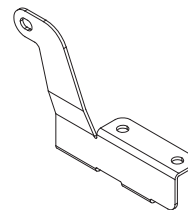
B. Crib End no Product Label x 1  
Part # 24308



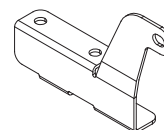
C. Stationary Side x 2  
Part # 24541



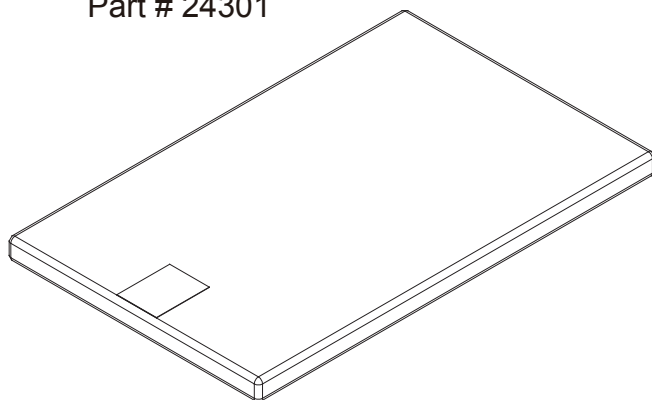
D. Mattress Support x 1  
Part # 24301



E. Left Mattress Support Bracket x 2  
Part # 22313

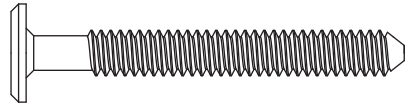
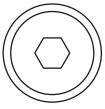


F. Right Mattress Support Bracket x 2  
Part # 22314

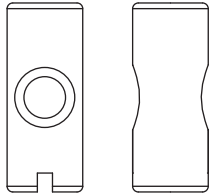


G. Mattress x 1  
Part # 24303

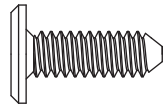
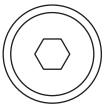
**PARTS:** HARDWARE KIT PART #24302-986 FOR COLOR 100 AND 108 OR #24302-987 FOR COLOR 260 AND 235 OR #24302-988 FOR COLOR 207. SEE FRONT COVER.



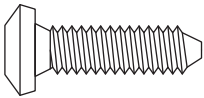
H. 1/4" x 50 mm Bolt x 8  
Part # 5768



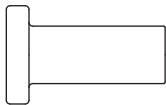
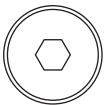
J. 1/4" x 25 mm Barrel Nut x 8  
Part # 5539



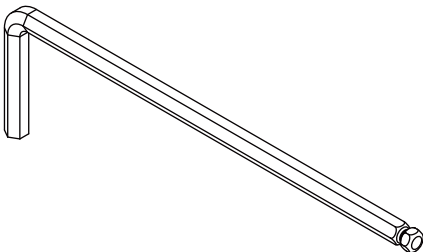
K. 1/4" x 18 mm Bolt x 8  
Part # 5769



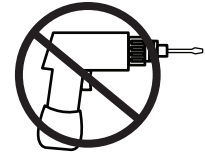
L. 1/4" x 22 mm Bolt x 8  
Part # 5538



M. 1/4" x 18 mm Cap Nut x 12  
Part # 5540



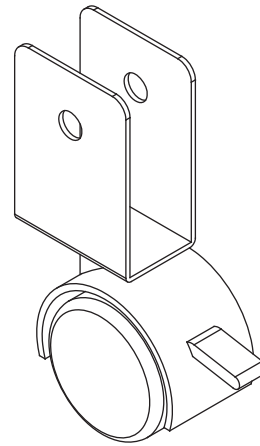
M4 Allen Wrench Supplied x 2  
Part # 1177



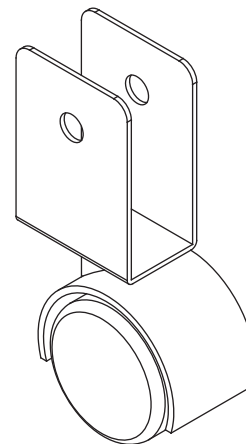
No drills necessary.  
Do not use power  
screwdriver.



Flat Head Screwdriver  
(not supplied)



N. 2" Locking Caster x 2  
Part # 5770

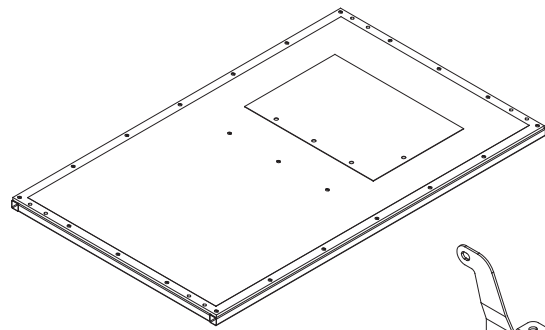


P. 2" Non-locking Caster x 2  
Part # 5771

# Section 1: Crib Assembly

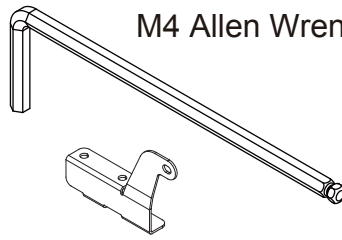
## Step 1

Parts and tools required to complete step.



D. Mattress Support x 1

E. Left Mattress Support Bracket x 2

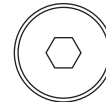


M4 Allen Wrench Supplied x 2

F. Right Mattress Support Bracket x 2



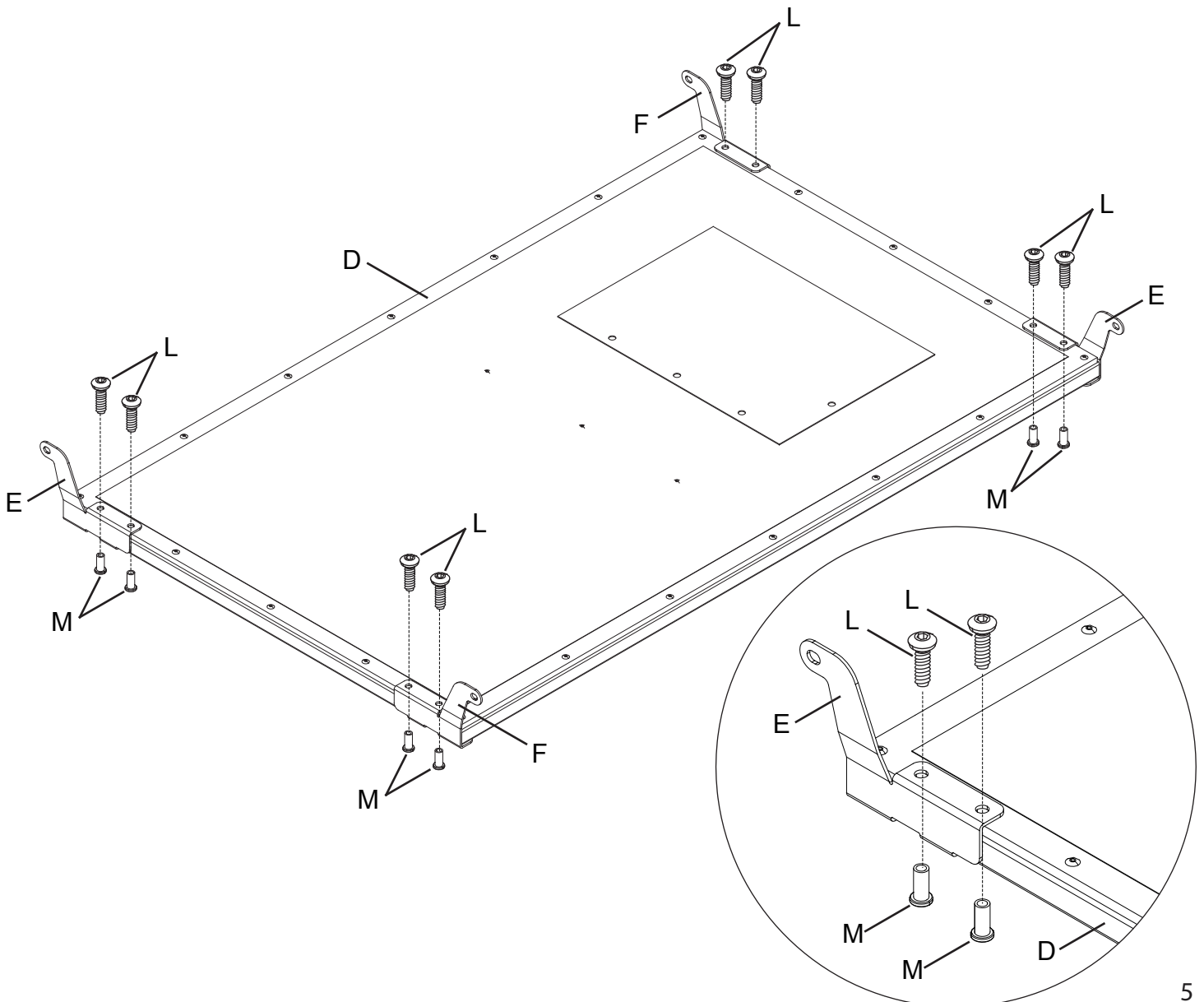
L. 1/4" x 22 mm Bolt x 8



M. 1/4" x 18 mm Cap Nut x 8



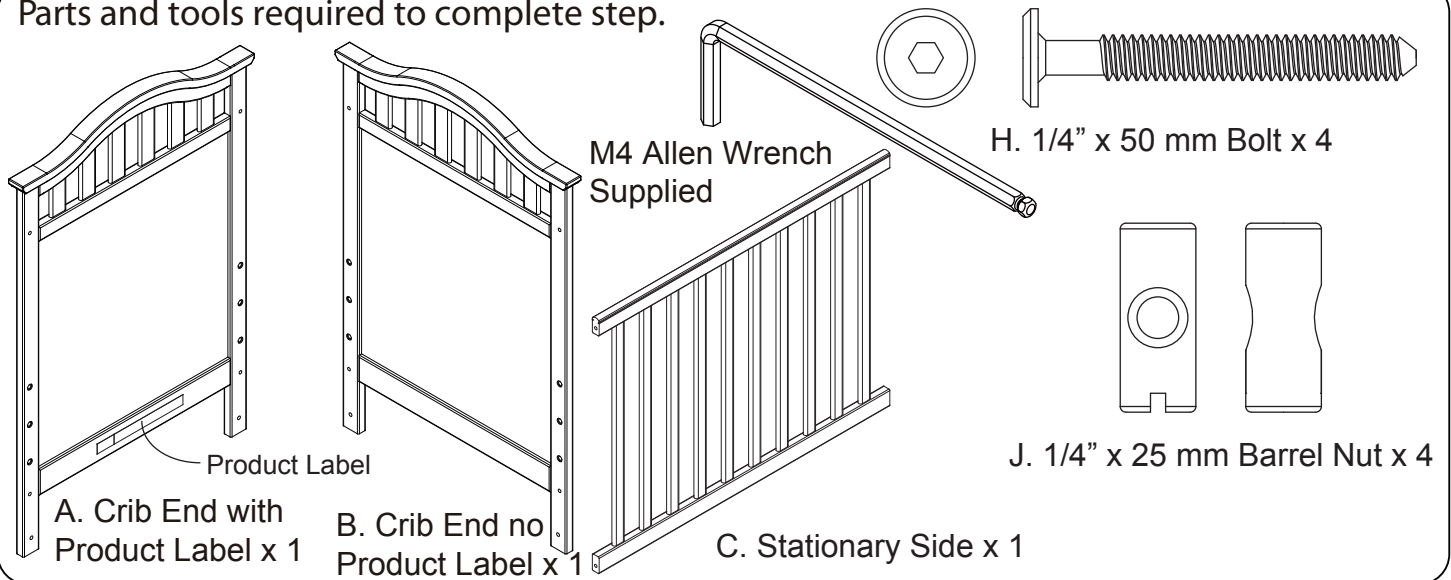
Attach (2) Left Mattress Support Brackets (Part E) to the Mattress Support (Part D) using (4) 1/4" x 22 mm Bolts (Part L) and (4) 1/4" x 18 mm Cap Nuts (Part M). Tighten with two M4 Allen Wrenches. Repeat on the other (2) Right Mattress Support Brackets (Part F).



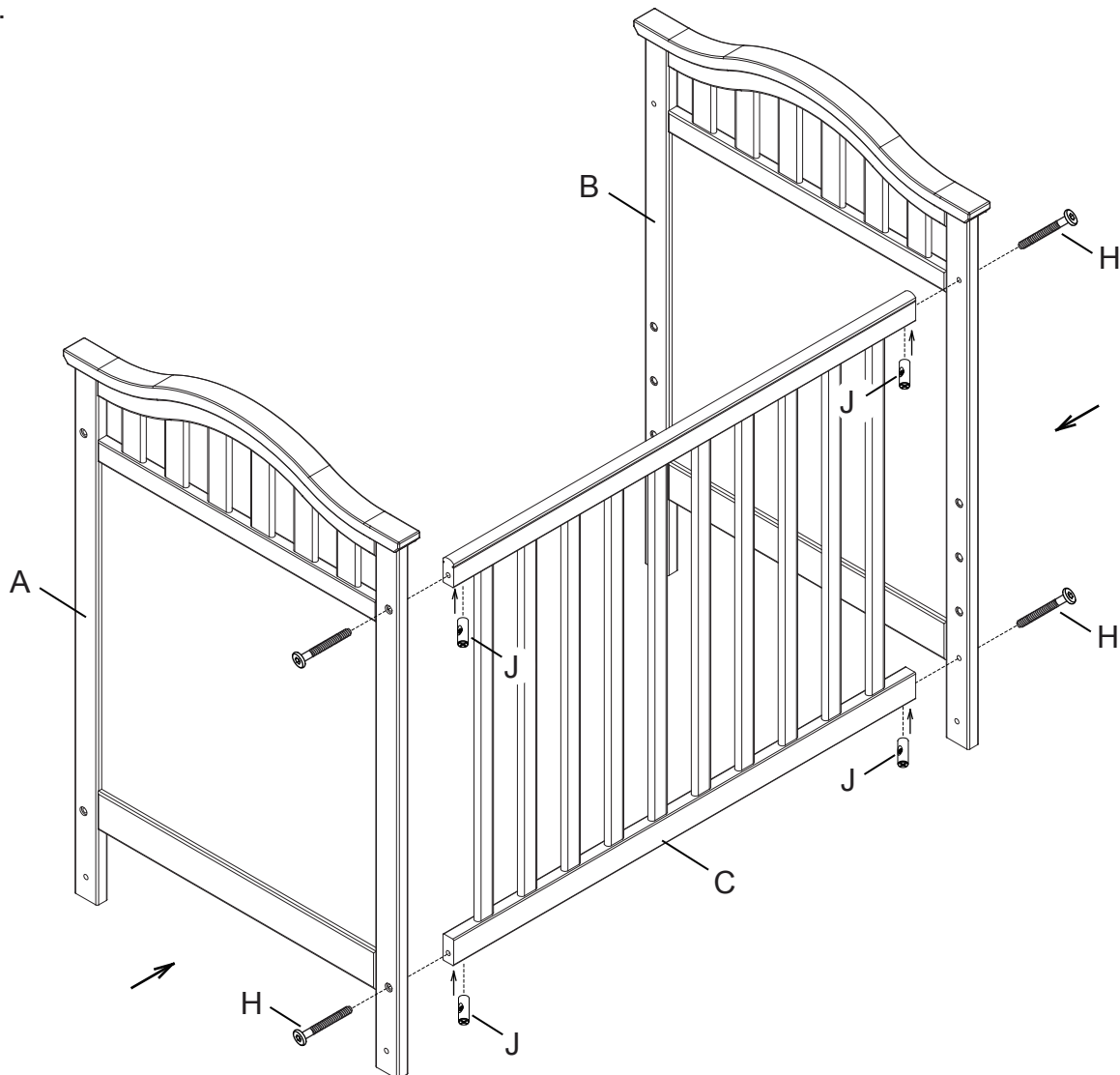
# Section 1: Crib Assembly

## Step 2

Parts and tools required to complete step.



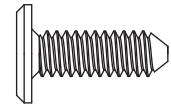
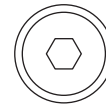
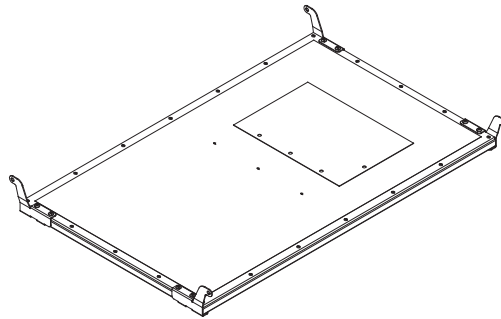
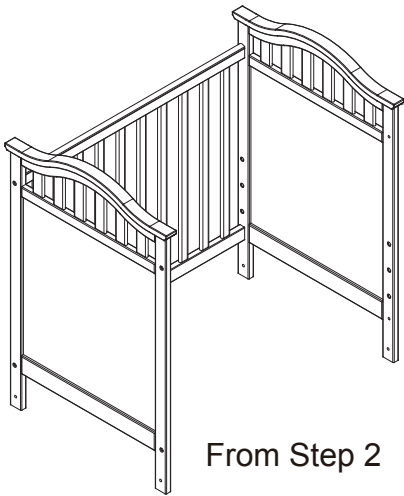
Attach (1) Crib End with Product Label (Part A) and (1) Crib End no Product Label (Part B) to (1) Stationary Side (Part C) using (4) 1/4" x 50mm Bolts (Part H) and (4) 1/4" x 25mm Barrel Nuts (Part J). Tighten with the M4 Allen Wrench. Use the Flat Head Screwdriver to hold the Barrel Nut in the proper alignment.



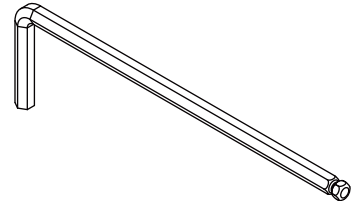
# Section 1: Crib Assembly

## Step 3

Parts and tools required to complete step.



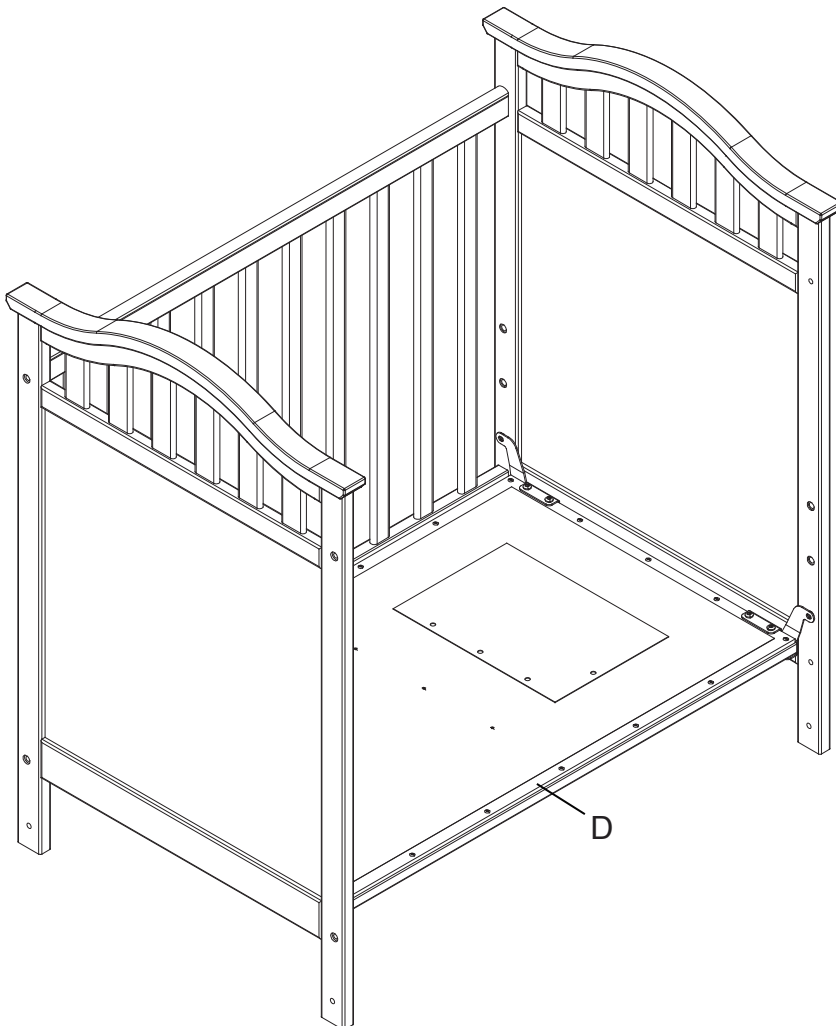
K. 1/4" x 18 mm Bolt x 4



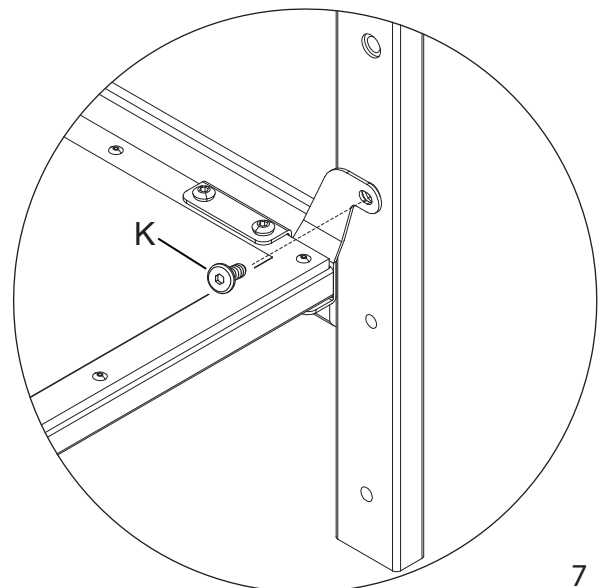
M4 Allen Wrench Supplied

Attach the assembly from step 1 to the assembly from step 2 using (4) 1/4"x18mm Bolts (Part K), Tighten with the M4 Allen Wrench.

There are (3) positions for the Mattress support. Use the highest only for new borns. Move the Mattress down as the child grows.



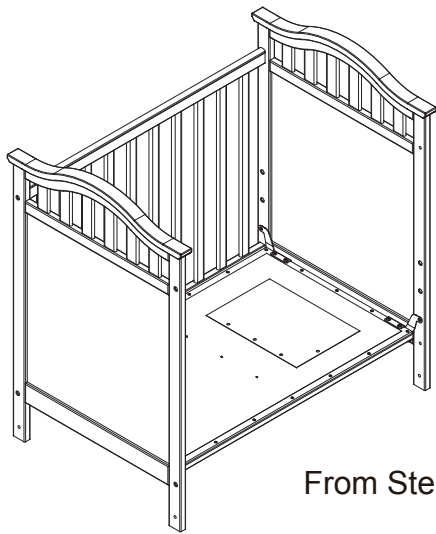
ALL CORNERS



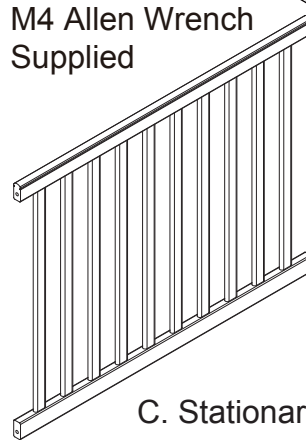
# Section 1: Crib Assembly

## Step 4

Parts and tools required to complete step.



From Step 3

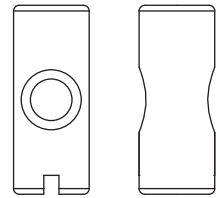
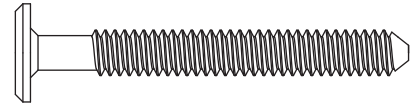


C. Stationary Side x 1

M4 Allen Wrench  
Supplied

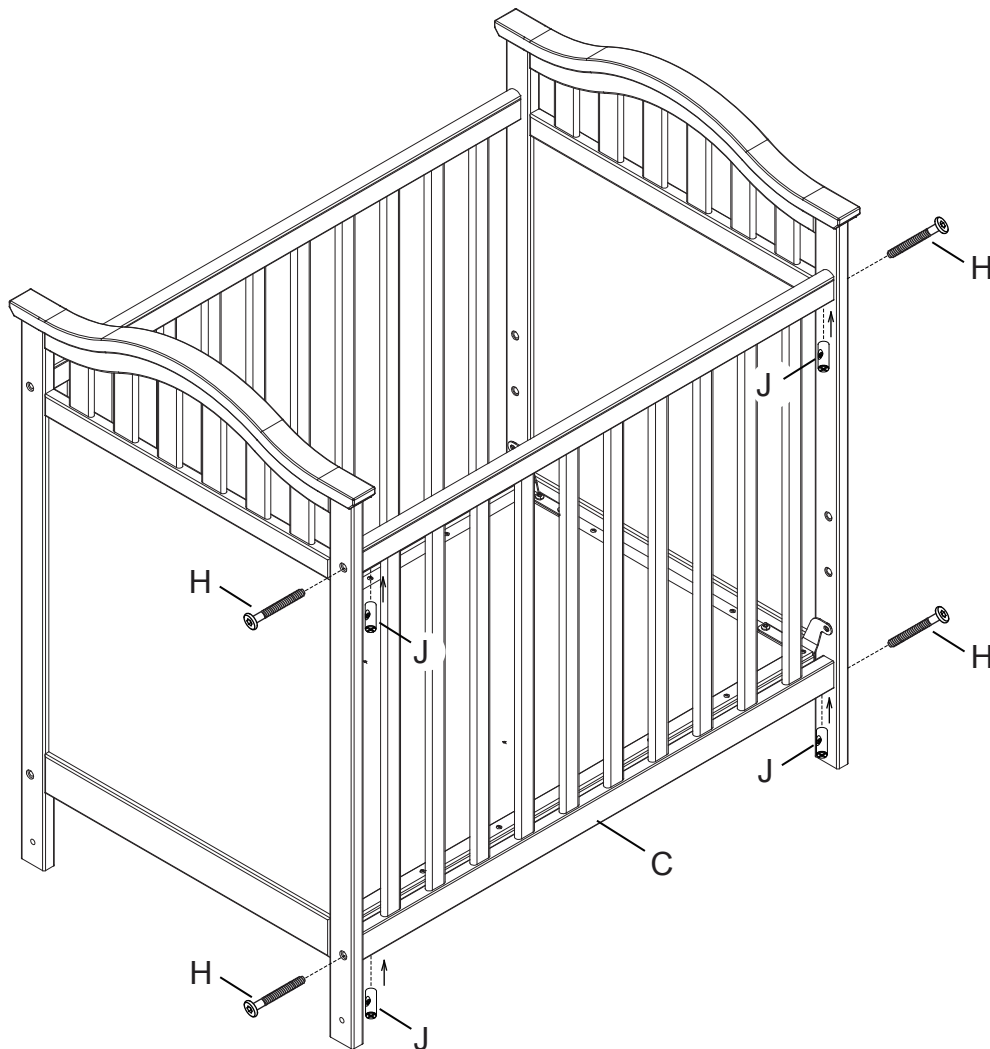


H. 1/4" x 50 mm Bolt x 4



J. 1/4" x 25 mm Barrel Nut x 4

Attach (1) Stationary Side (Part C) to the assembly from step 3 using (4) 1/4" x 50mm Bolts (Part H) and (4) 1/4" x 25mm Barrel Nuts (Part J). Tighten with the M4 Allen Wrench. Use the Flat Head Screwdriver to hold the Barrel Nut in the proper alignment.

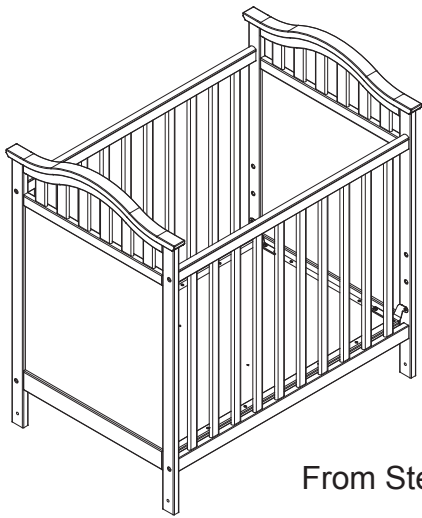




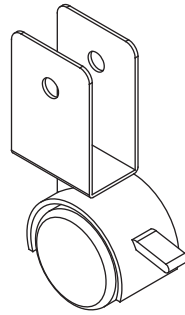
# Section 1: Crib Assembly

## Step 5

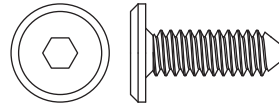
Parts and tools required to complete step.



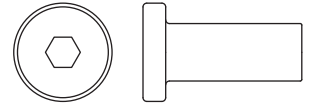
From Step 4



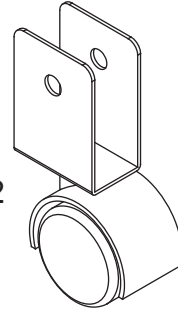
N. 2" Locking Caster x 2



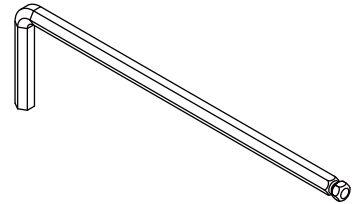
K. 1/4" x 18 mm Bolt x 4



M. 1/4" x 18 mm Cap Nut x 4



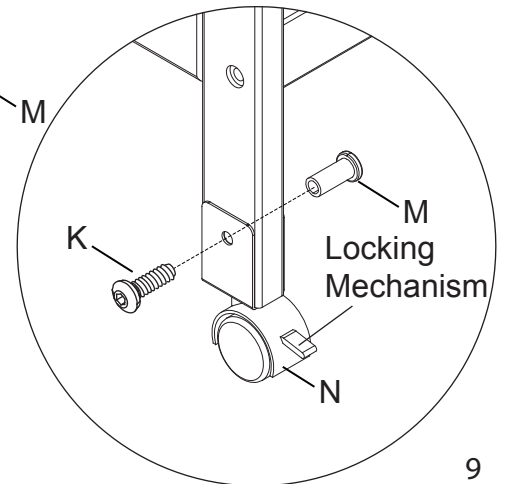
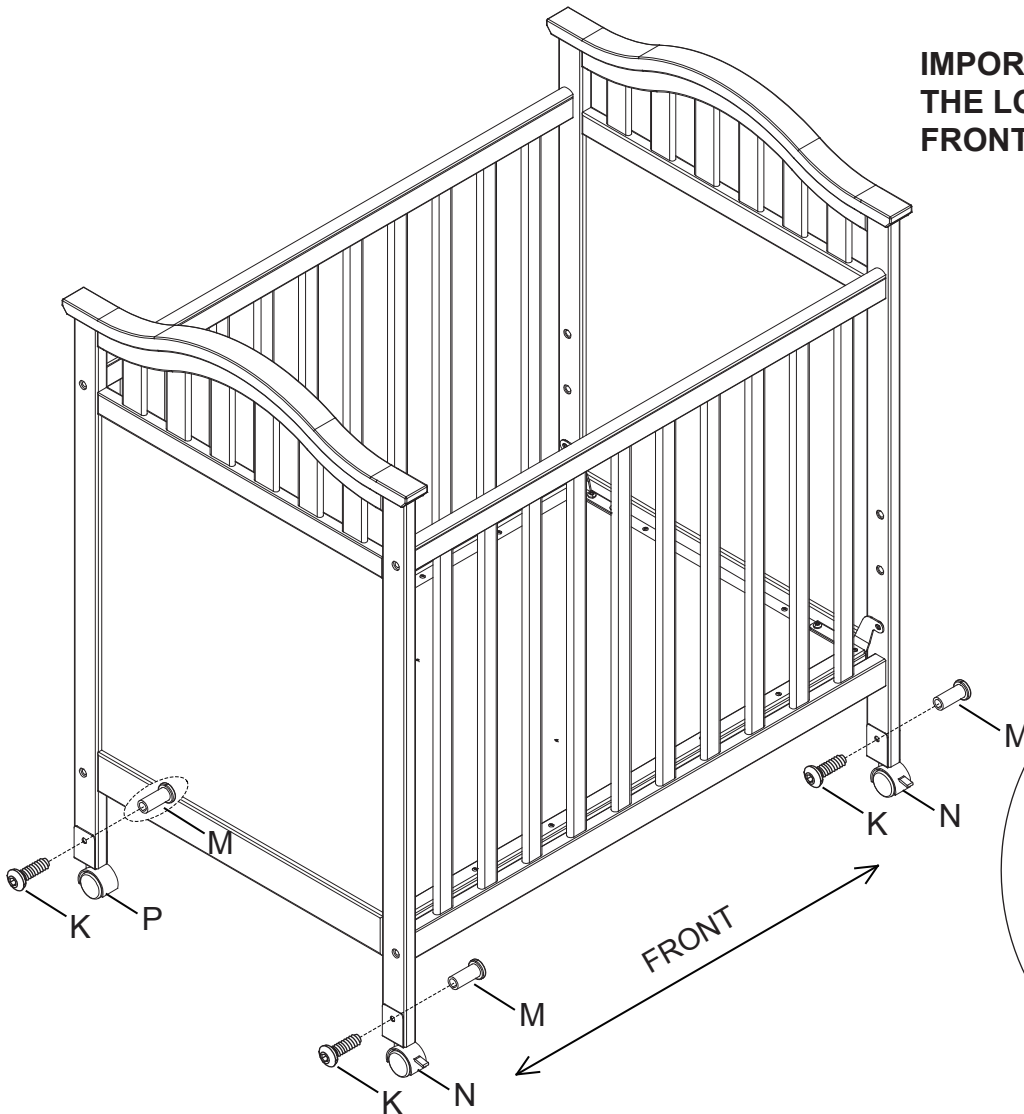
P. 2" Non-locking Caster x 2



M4 Allen Wrench  
Supplied x 2

Attach (2) 2" Non-locking Casters (Part P) to the Back Legs of the Crib using (2) 1/4" x 18 mm Bolts (Part K) and (2) 1/4" x 18 mm Cap Nuts (Part M). Tighten with two M4 Allen Wrenches. Attach (2) 2" Locking Casters (Part N) to the Front Legs using (2) 1/4" x 18 mm Bolts (Part K) and (2) 1/4" x 18 mm Cap Nuts (Part M). Tighten with two M4 Allen Wrenches.

**IMPORTANT: MAKE SURE TO PUT THE LOCKING CASTERS ON THE FRONT OF THE CRIB.**



# Section 1: Crib Assembly

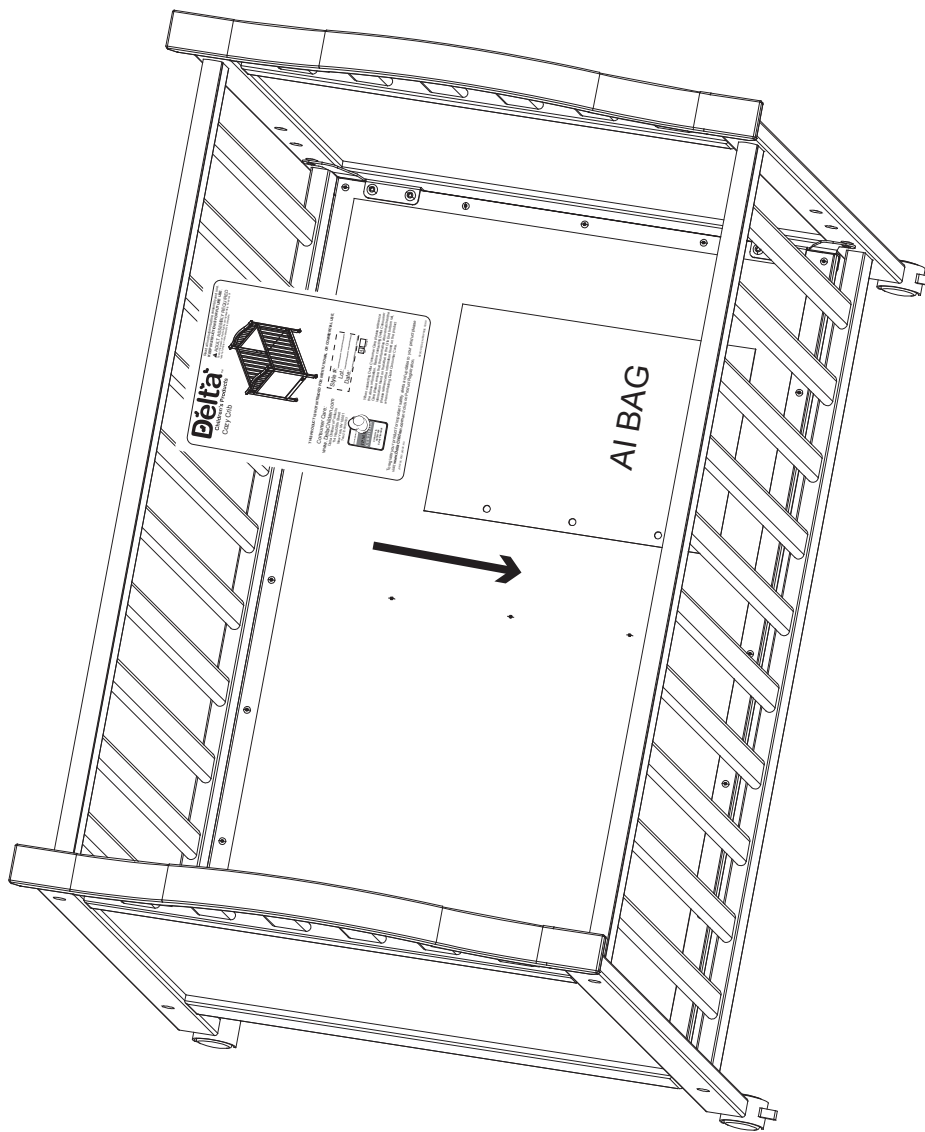
## Step 6

Parts and tools required to complete step.



Assembly Instruction Booklet

Store the assembly instruction booklet in the pouch attached to the mattress support. Store all parts and tools separately, in a safe place.



**⚠ WARNING:** SEE PAGE 2 FOR INFORMATION

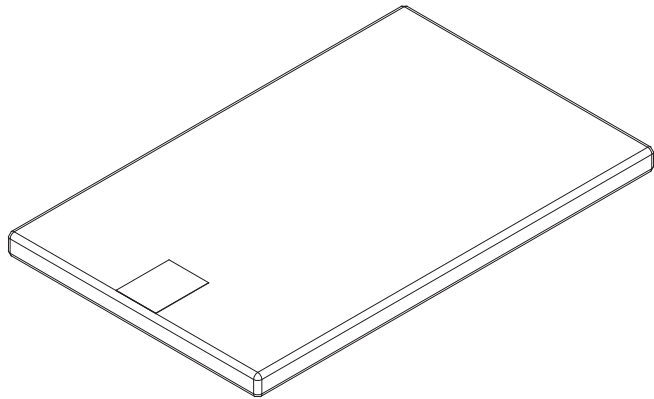
## Section 1: Crib Assembly

### Step 7

Parts and tools required to complete step.

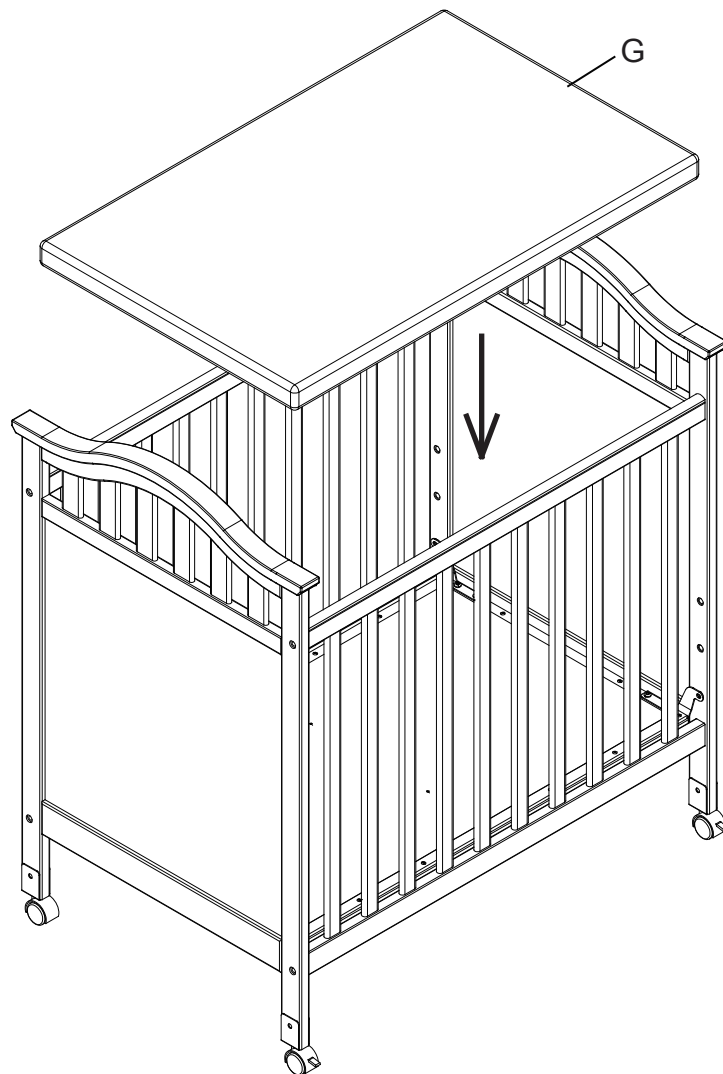


From Step 6



G. Mattress x 1

Place the Mattress (Part G) onto the Mattress Support (Part D) as shown.





**Children's Products**

Consumer Care:

[www.DeltaChildren.com](http://www.DeltaChildren.com)

Delta Children's Products

114 West 26th Street

New York, NY 10001

Tele.212-645-9033

**Warranty:** This Delta Crib is warranted to be free from defects for a period of 1 year from the date of purchase under normal use. This warranty extends only to the original retail purchaser and is valid only when supplied with proof of purchase, or if received as a gift, when the registration is on file with Delta.

To register your product for important safety alerts and updates to your product please visit **[www.DeltaChildren.com](http://www.DeltaChildren.com)**

Please do not return this item to the store before contacting us about missing parts or with any questions.

To report a problem, please log on to **[www.DeltaChildren.com](http://www.DeltaChildren.com)** and click the Consumer Care Tab, or contact us by phone at (212) 645-9033.

In the event that you need to contact our customer service department please have the Style Number and Lot Number available. Use the space below to make note of those numbers. They can be found on the label on the Crib End bottom rail.

**STYLE No: 4430**

COLOR

REV

FTY

Lot No. : \_\_\_\_\_

Pack Date: \_\_\_\_\_

Date of Purchase: \_\_\_\_\_ (you should also keep your receipt)