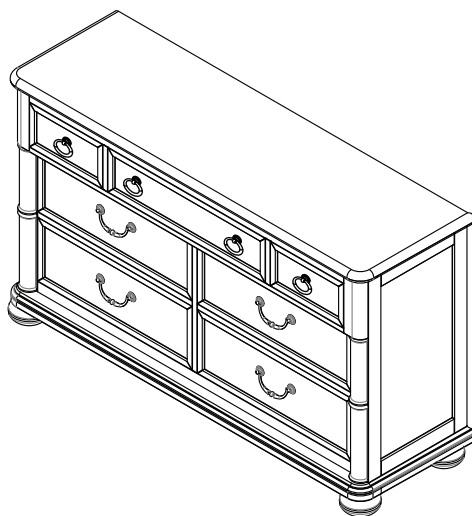
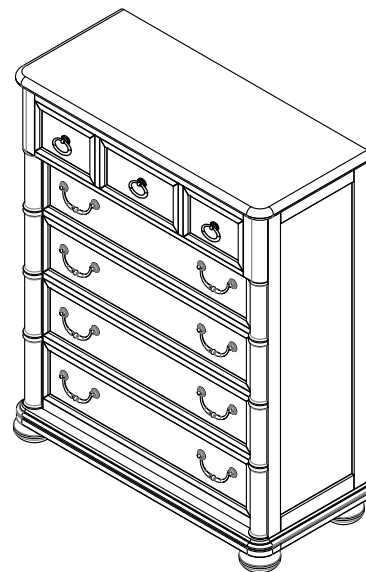


# INSTRUCTIONS



#315030 Double  
Dresser



#315040 Chest

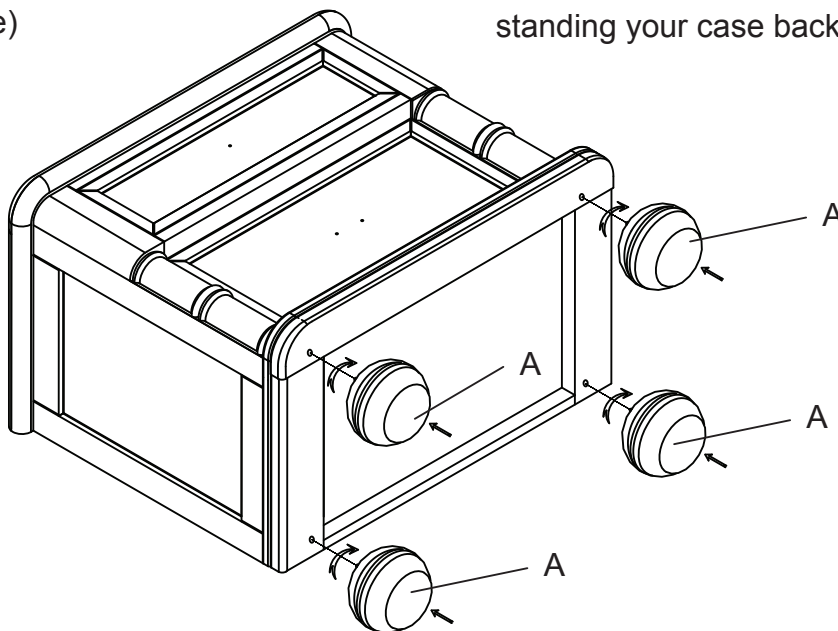
CASES SHOWN ASSEMBLED



A. Foot (4 pcs per case)

## STEP #1:

1. Carefully lay your case on its back.
2. Attach Foot (Part A) to the bottom of the case by hand, screwing them into the holes.
3. Make sure all feet are tighten before standing your case back up.



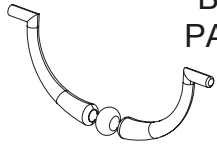
SIMMONS KIDS®

Children's Products LLC is an authorized licensee of Dreamwell, Ltd. a wholly-owned subsidiary of Simmons Bedding Company. SIMMONS KIDS® and the SIMMONS S&GLOBE are registered trademarks of Dreamwell, Ltd. ©2011 Dreamwell, Ltd. All rights reserved.

**Simmons Juvenile Furniture**  
A Division Of Children's Products, LLC  
114 West 26th Street  
New York, NY 10001  
1-800-218-2741

**STEP #2:**

**B. Bail Pull  
PART#: 5737**



B1. Bail Pull Handle



B2. #7-32 X 32 mm Truss Head Screw - (2) each (Full size)



B3. Bail Pull Base - (2) each

**C. Ring Pull  
PART#: 5738**



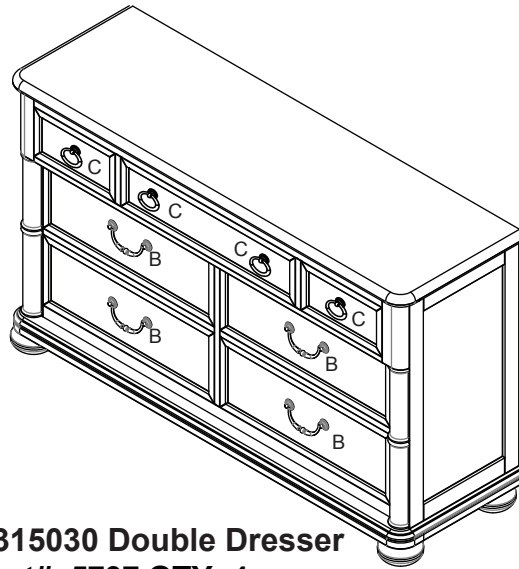
C1. Ring Pull Handle



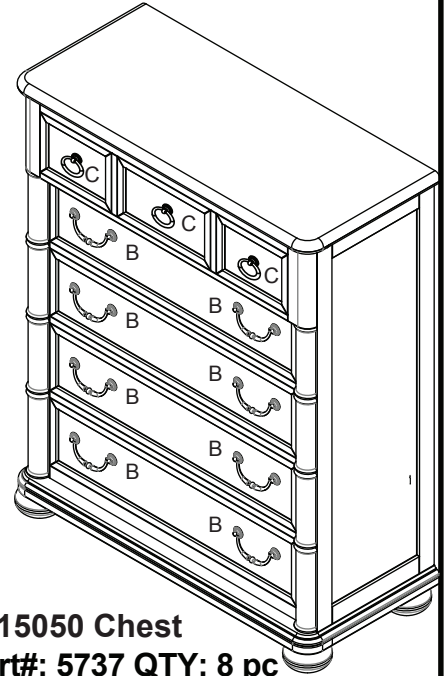
C2. #7-32 X 38 m Truss Head Screw (Full size)



C3. Ring Pull Base

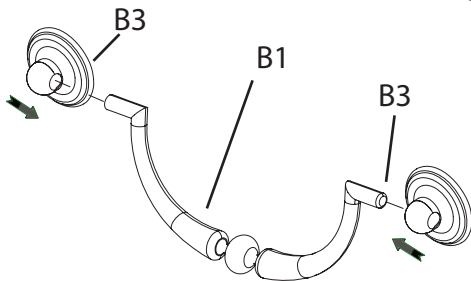


**#315030 Double Dresser  
Part#: 5737 QTY: 4 pc  
Part#: 5738 QTY: 4 pc**

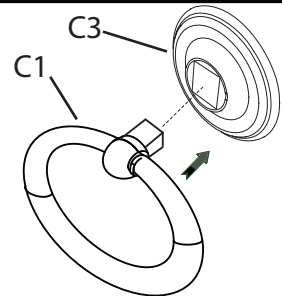


**#315050 Chest  
Part#: 5737 QTY: 8 pc  
Part#: 5738 QTY: 3 pc**

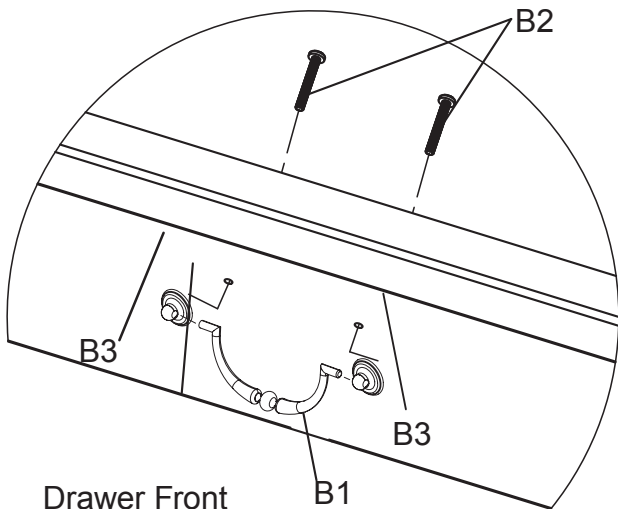
Assemble Ball Handle:



Assemble Ring Handle:

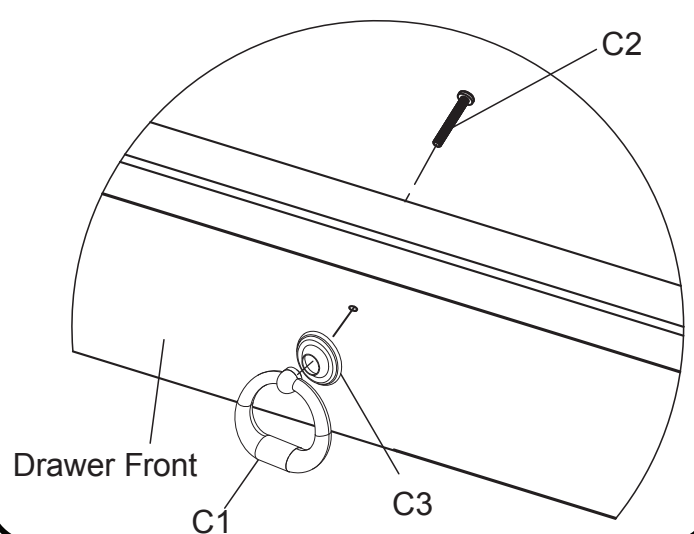


**ASSEMBLY PART#: 5737- BAIL PULL**



Drawer Front

**ASSEMBLY PART#: 5738- RING PULL**



Drawer Front

# How To Operate The Drawer Glide

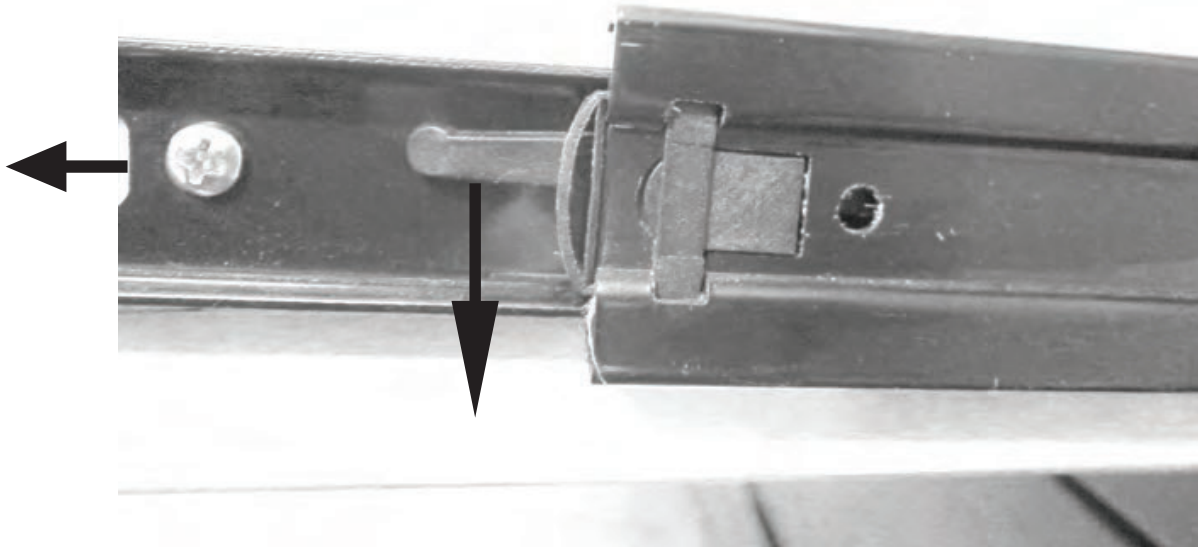
Comment faire fonctionner le tiroir Glide

Como la función de deslizamiento del cajón

**Right Side Push Lever Down**

**Droit levier poussoir Side Down**

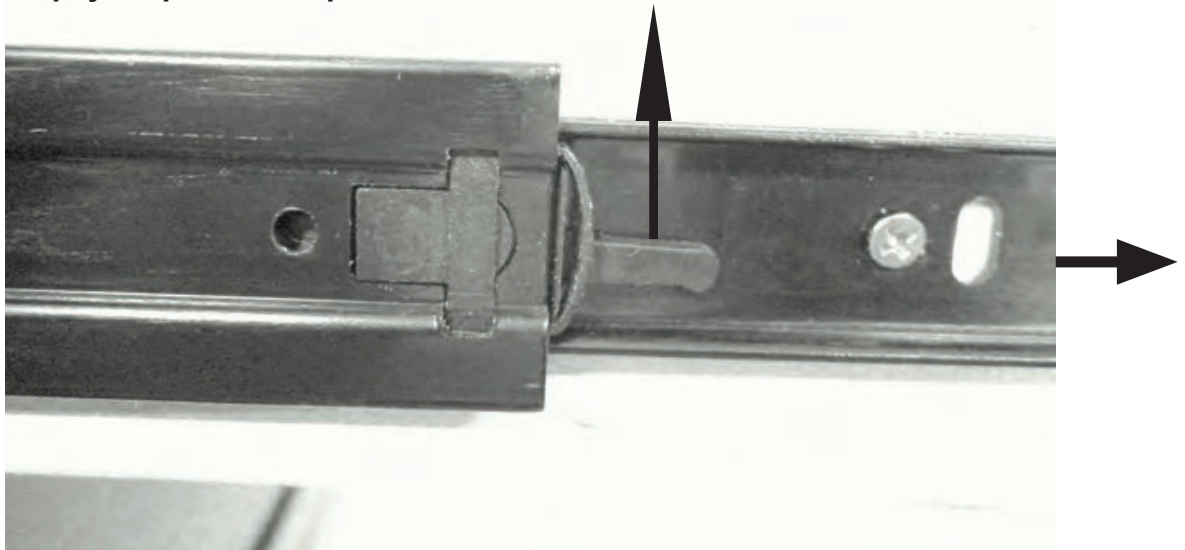
**Presione lado de la palanca derecha hacia abajo**



**Left Side Push Lever Up**

**Côté gauche Up Pousser le levier**

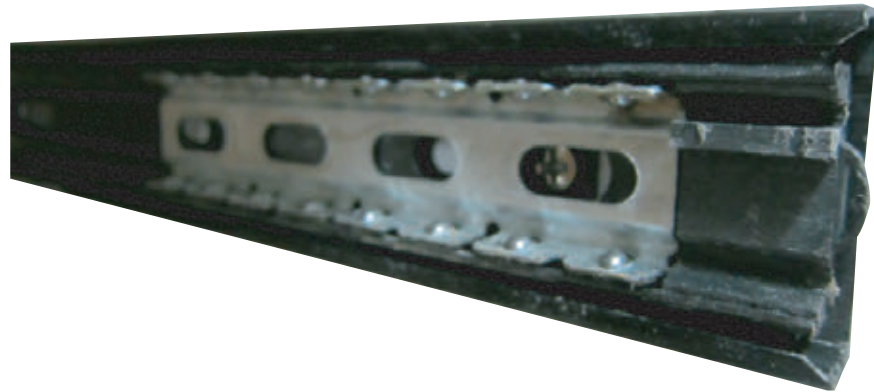
**empuje la palanca izquierda hacia arriba**



The silver portion of the glide must be pulled to the front of the glide when assembling the drawer into the case.

La partie argentée du glissement de doit être tirée vers l'avant de la glisse lors du montage du tiroir dans le boîtier.

La parte plateada de la guía de la gaveta debe estar al frente de la guía cuando se está armando la cómoda.



To insert drawer align male runner on drawer to female runner on case and push all the way in

Pour insérer tiroir aligner runner homme sur le tiroir pour runner femme sur l'affaire et poussez jusqu'à ce qu'il repose

Para insertar cajón alinear runner mujer en el cajón para de hombre runner case y empuje hasta el fondo

