

# Novel Idea High Chair 23011-XXX HCV4

**ASSEMBLY INSTRUCTIONS  
ADULT ASSEMBLY REQUIRED**



**Styles and colors may vary**



**IMPORTANT: Read all instructions before assembly and use of the High Chair  
Keep the instructions for future reference**

**Customer Care Tel. 1-(800)-377-3777**

**(D)**

**[www.DeltaChildrensProducts.com](http://www.DeltaChildrensProducts.com)**

DCP Cat # 05-23-13-V4

# Consumer Information



## WARNING

**READ ALL INSTRUCTIONS BEFORE ASSEMBLY AND USE OF HIGH CHAIR. KEEP INSTRUCTIONS FOR FUTURE USE. INCORRECT ASSEMBLY MAY MAKE THE HIGH CHAIR UNSAFE. FAILURE TO FOLLOW THESE WARNINGS AND INSTRUCTIONS COULD RESULT IN SERIOUS INJURY OR DEATH.**

**WARNING!** The child should be secured in the high chair at all times by the restraining system, either in the reclining or upright position. The tray is not designed to hold the child in the chair. It is recommended that the high chair be used in the upright position only by children capable of sitting upright unassisted.

**WARNING!** Prevent serious injury or death from falls or sliding out.

Always secure child in the restraint.

**NEVER** leave child unattended.

**DO NOT** use the high chair until the child can sit up unaided.

**DO NOT** use the high chair unless all components are correctly fitted and adjusted.

**WARNING!** Make sure that any harness is correctly fitted.

Only use in a flat stable surface.

Ensure your high chair is fully erected before placing your child inside.

Ensure children are clear of all moving parts before making any adjustments.

**NEVER** move the high chair with your child inside.

**NEVER** adjust the seat height with child in high chair.

**NEVER** adjust the seat recline with child in high chair.

**DO NOT** allow your child to climb unassisted into, play with or hang onto your high chair. This is not a toy.

**IMPORTANT!** Before assembly or each use of this high chair, inspect this high chair for damaged hardware, loose joints, missing parts or sharp edges. **DO NOT** use if any parts are missing or broken. Never substitute parts. Contact Delta Children's Products Customer Service Department at 1.800.377.3777 for replacement parts and instructions if needed.

Manufactured for and distributed by:

**Delta**  
Children

114 West 26th Street, New York, NY 10001



**Customer Service**

Tel. 1-(800)-377-3777

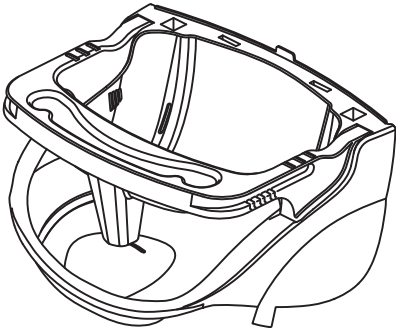
[www.DeltaChildrensProducts.com](http://www.DeltaChildrensProducts.com)

[customerservice@DeltaChildrensProducts.com](mailto:customerservice@DeltaChildrensProducts.com)

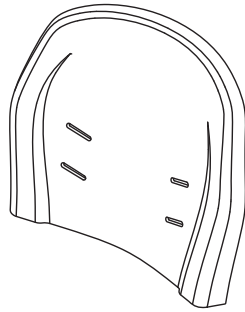
**MADE IN CHINA**

# Parts

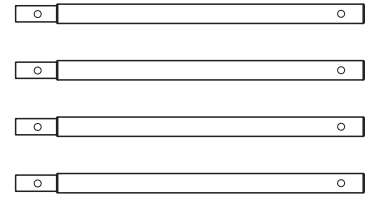
**IMPORTANT!** Please remove all parts from the package and identify them before assembly.



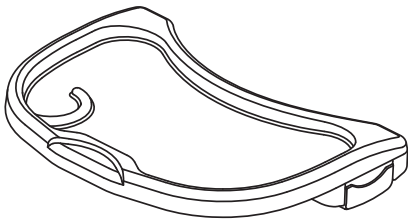
**High Chair Seat**



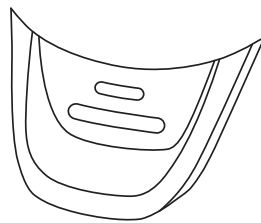
**Back Support**



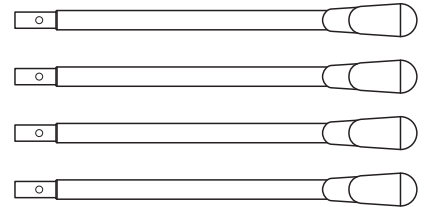
**Legs (top parts) X4**



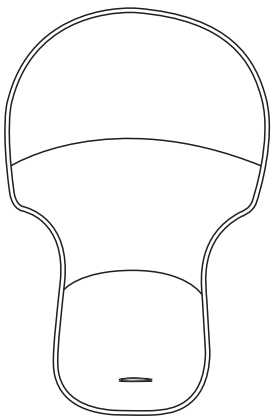
**Insert Tray**



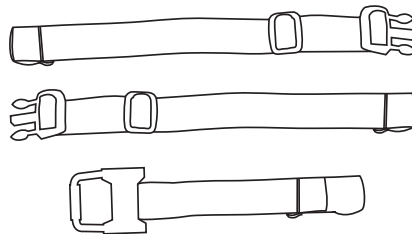
**Leg Support**



**Legs (bottom parts) X4**

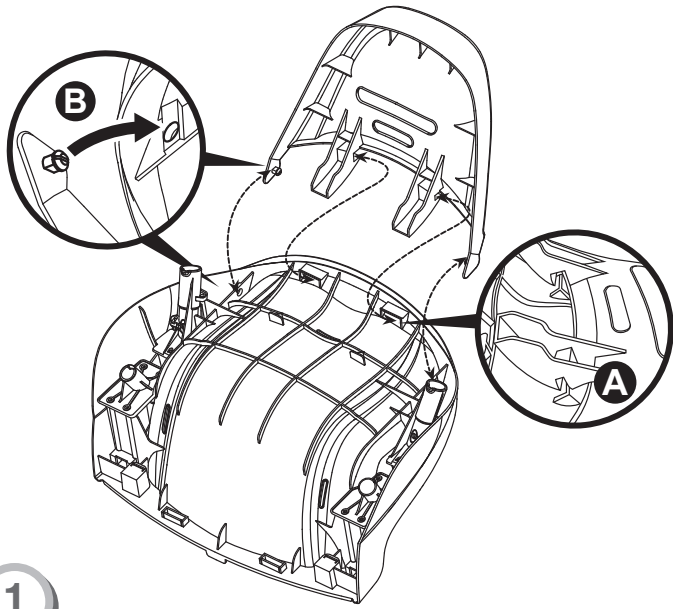


**Seat Pad**



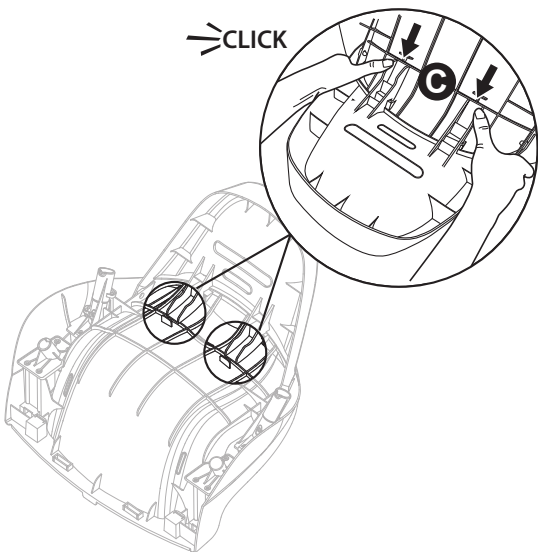
**Harness Straps**

# High Chair Assembly



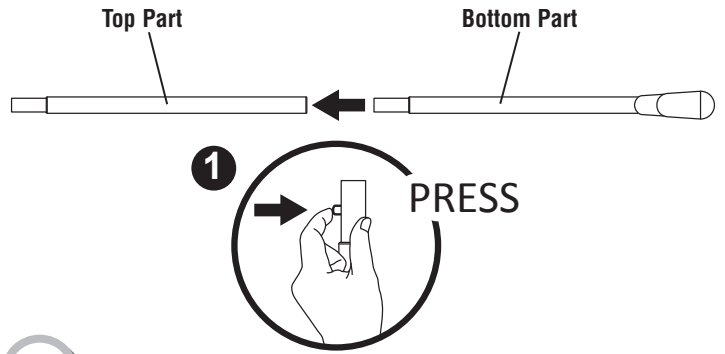
1

- Locate the high chair seat and, flip it up side down on flat a surface.
- Locate leg support and align the hooks with the housing on the seat as shown in illustration above.
- **A** Insert the hooks into their housing.
- **B** Push the snap pin into the support holes.



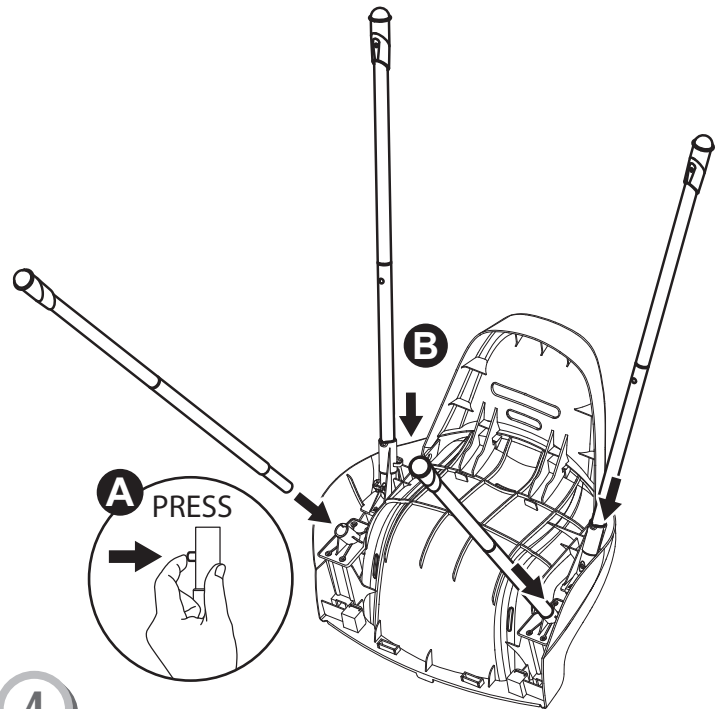
2

- **C** Press down the taps with your thumbs until you hear it 'CLICK' and locked it into its position.
- Pull out the leg support gently to make sure they are all properly locked in place.



3

- Locate four (x4) top part of the legs and four (x4) bottom part of the legs.
- Press the button on the side of the bottom leg and push it into the top part of the leg to connect two legs.
- Push through until you hear it 'CLICK'. Pull out the leg gently to make sure it is properly lock in place.
- Repeat this steps to connect remaining three (x3) legs.

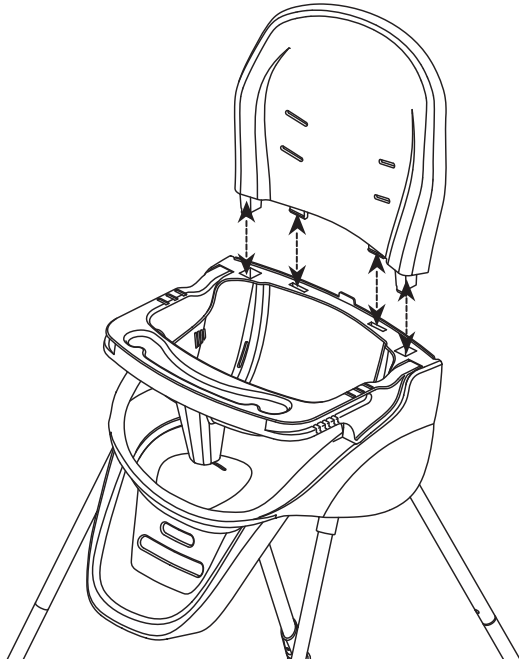


4

- **A** Press the button on the side of the leg and push the leg into its housing on the seat until you hear it 'CLICK'.
- Pull out the leg gently to make sure it is properly locked in place.
- **B** Repeat this steps to assemble remaining three (x3) legs.

# High Chair Assembly

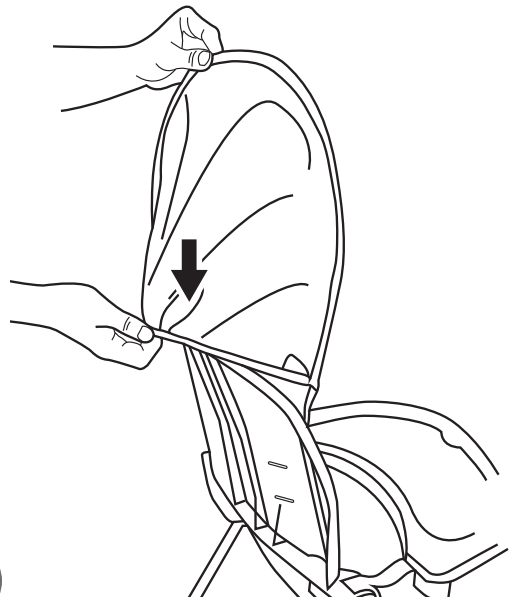
5



**NOTE:** Flip the high chair over into up right position.

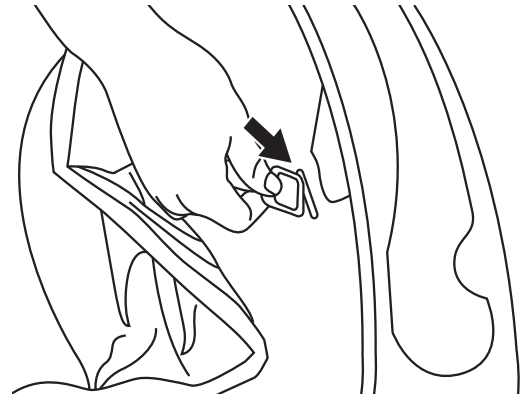
- Locate the back support.
- Align the clips on the back support with housing holes on the seat. Then insert the clips into its housing until you hear it 'CLICK'.
- Pull out the back support gently to make sure it is properly locked in place.

7



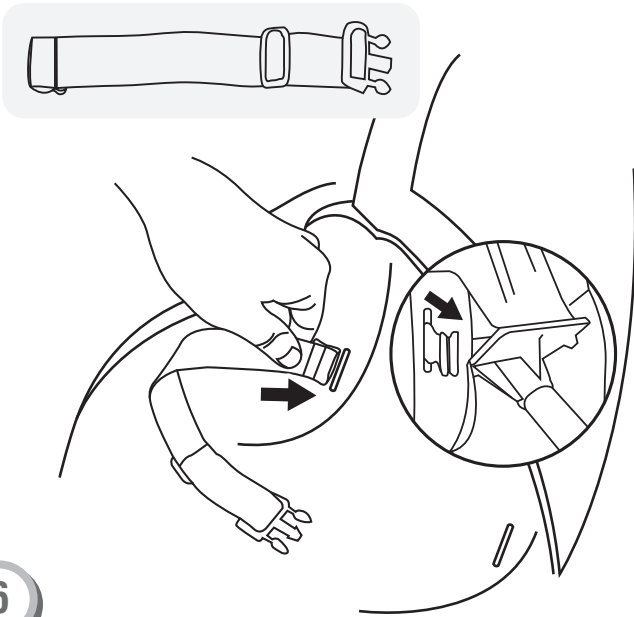
- Locate the seat pad and slide it down over the back support of the high chair.

8



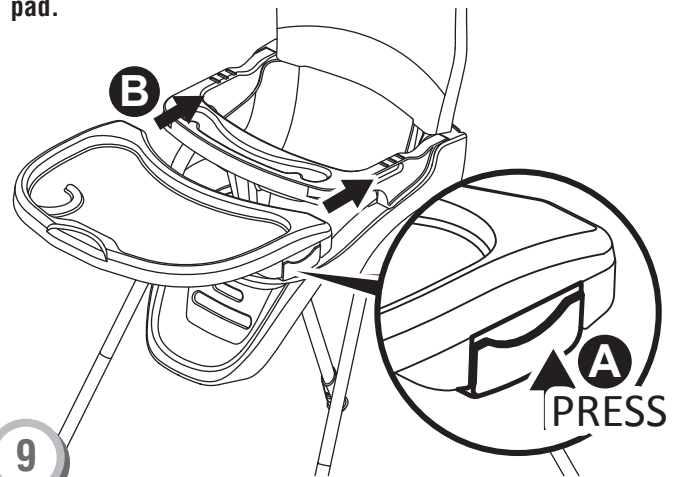
- Locate the strap under the seat pad at the bottom part of it, and slide it through the hole on the seat to securely attach the seat pad.

6



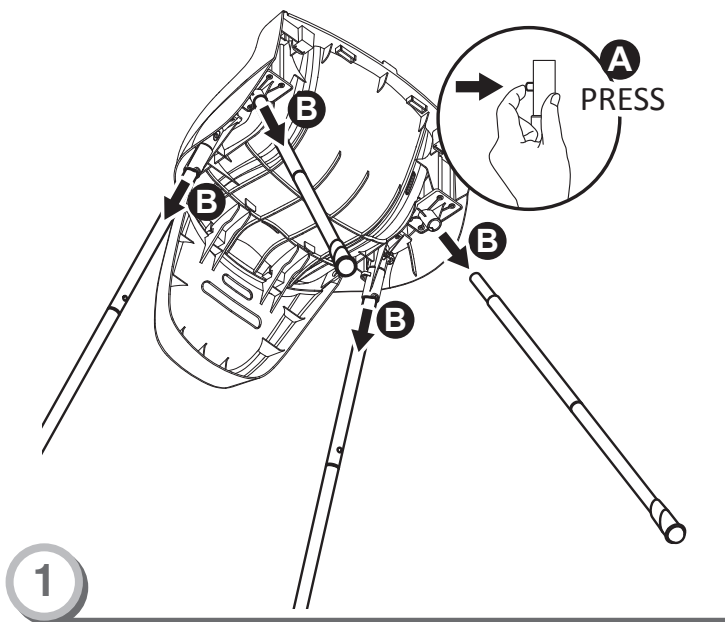
- Locate the two (x2) harness straps and slide a harness strap through the hole on the back of the seat.
- Repeat the same procedure for the remaining harness strap.

9



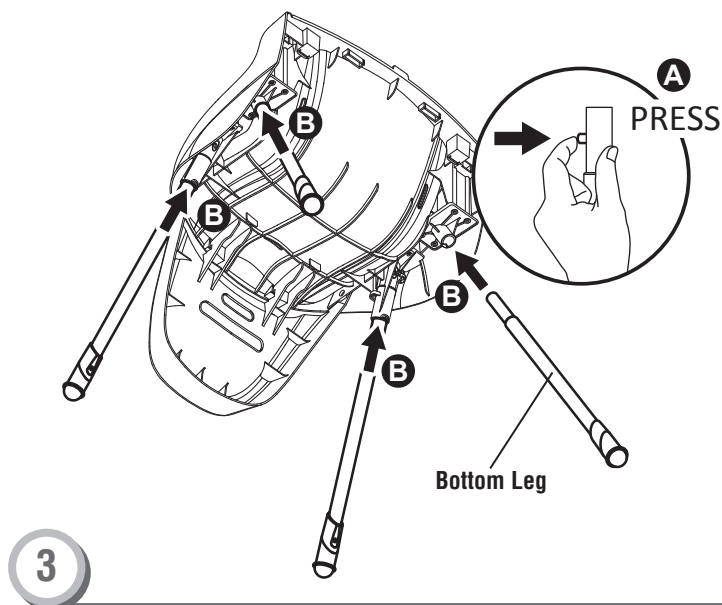
- Locate removable food tray and align it with the seat as shown.
- **A** Press the grip on both side of the food tray and **B** slide it onto the seat to assemble the food tray.

# High Chair Use



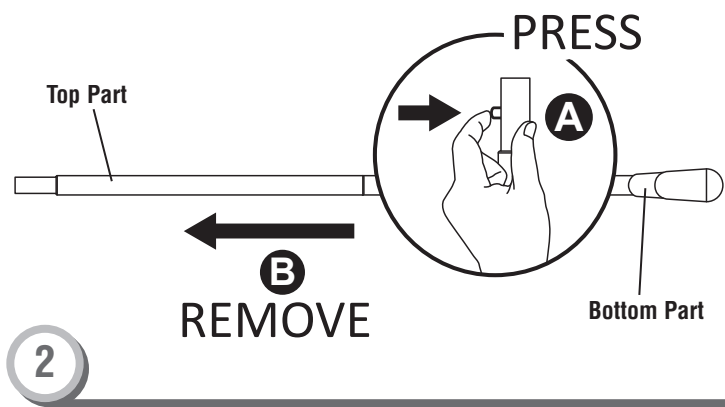
## To Adjust the Height of the High Chair

- **A** Press the button on the side of the leg and **B** pull out the leg from the seat.
- Repeat the steps to disassemble remaining three (x3) legs.

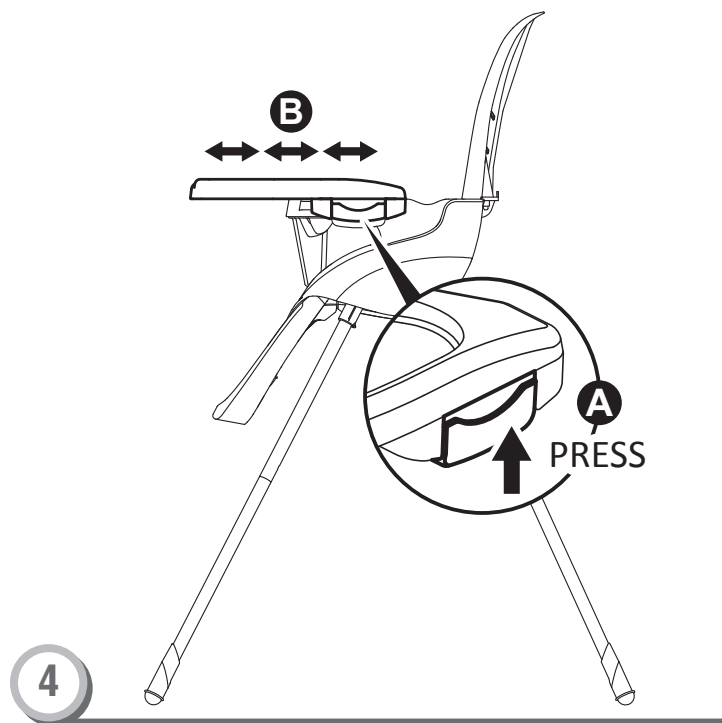


## NOTE: Remember to use bottom part of the legs.

- **A** Press the button on the side of the leg and **B** Push in the short leg into its housing on the seat until you hear it 'CLICK'.
- Pull out the leg gently to make sure it is properly locked in place.
- **B** Repeat this steps to assemble remaining three (x3) legs.



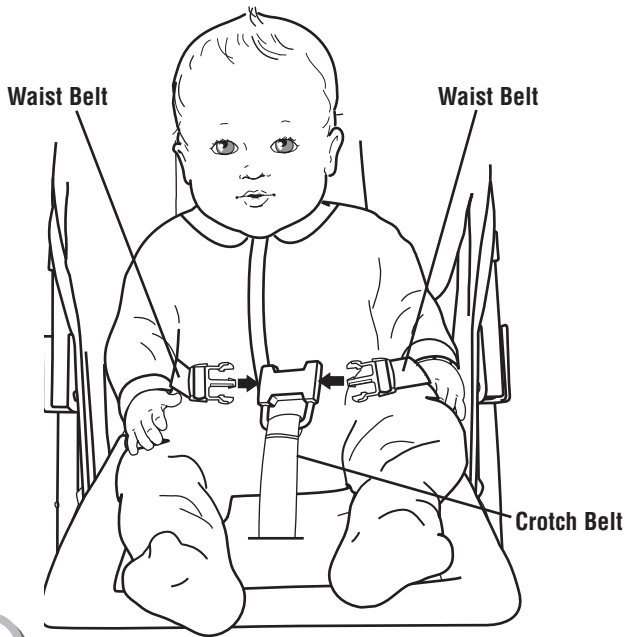
- **A** Press the button on the side of the leg and **B** pull out top part of the leg to shorten the leg height.
- Repeat the step for the remaining three (x3) legs.



## To Adjust/Remove Washable Food Tray

- **A** Press the grip on both side of the food tray and **B** move the tray position to desired position.
- Pull the tray out to remove it.

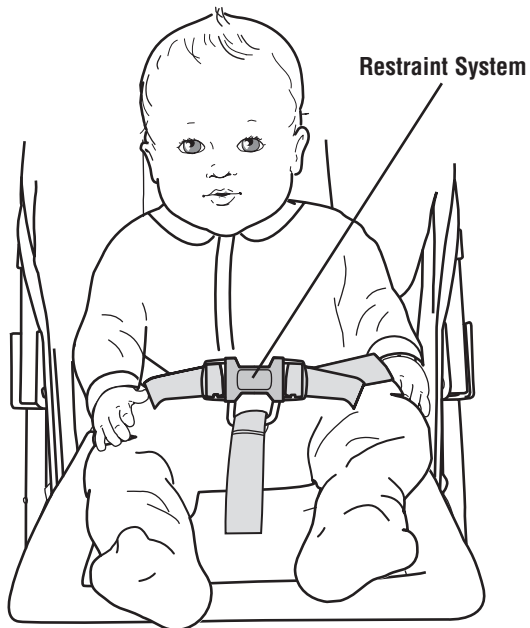
# Securing Child



1

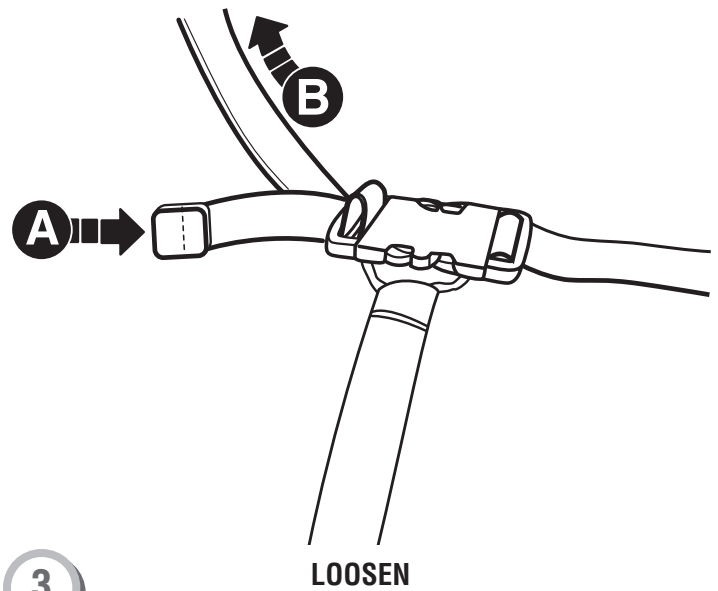
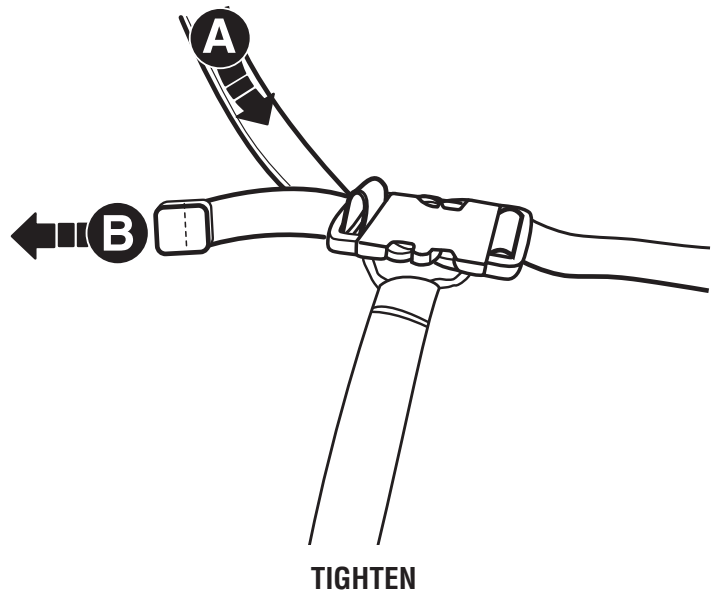
## Securing Child

- Place your child in the high chair. Position the crotch belt between your child's legs.
- Fasten **both** waist belts to the buckle on each side of the crotch belt. Make sure you hear a “**click**” on both sides.
- Check to be sure the restraint system is securely attached by pulling it away from your child. The restraint system should remain attached.



2

- Tighten each waist belt so that the restraint system is snug against your child. Please refer to the next section for instructions to tighten the waist belts.



3

### To tighten the waist belts:

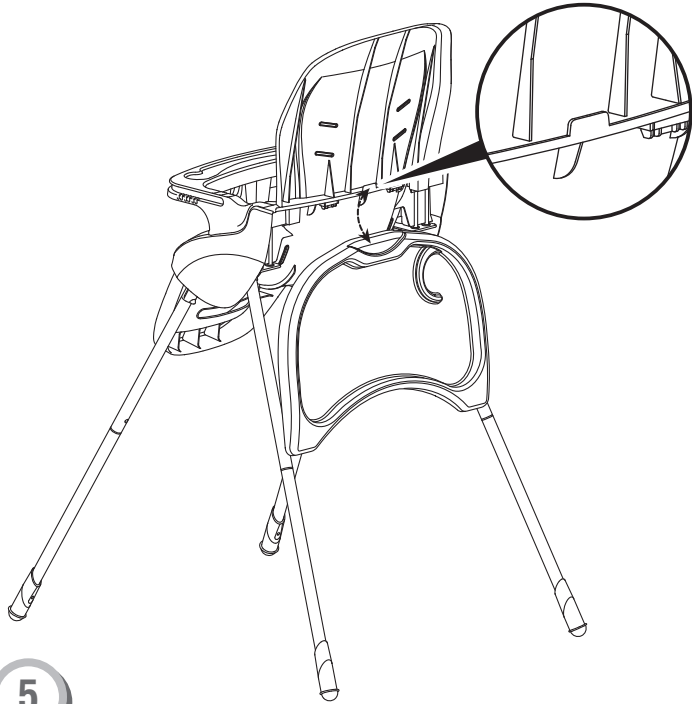
- Feed the anchored end of a waist belt up through the buckle to form a loop **A**. Pull the free end of the waist belt **B**.
- Repeat this procedure to tighten the other waist belt.

### To loosen the waist belts:

- Feed the free end of the waist belt up through the buckle to form a loop **A**. Enlarge the loop by pulling on the end of the loop toward the buckle. Pull the anchored end of the waist belt to shorten the free end of the waist belt **B**.
- Repeat this procedure to loosen the other waist belt.

**Please note:** After adjusting the restraint system to fit your child, make sure you pull on it to be sure it is securely fastened.

# High Chair Use



## CARE:

- Ensure all locking devices work correctly and regularly check the locks and fittings for security.
- Regularly check all parts for wear and tear.

## CLEANING:

- For best results insert tray can be machine washed.
- For best results tray can be hand washed using a damp cloth and mild detergent.
- Seat pad should be hand washed using a damp cloth and mild detergent.

Manufactured for and distributed by:

**Delta**<sup>™</sup>  
Children

114 West 26th Street, New York, NY 10001

5

## To Hang Food Tray

- Please locate the hanging hook on the back of the seat as shown in the illustration.
- Hang the food tray on the hook.



Customer Service  
Tel. 1-(800)-377-3777  
[www.DeltaChildrensProducts.com](http://www.DeltaChildrensProducts.com)  
[customerservice@DeltaChildrensProducts.com](mailto:customerservice@DeltaChildrensProducts.com)

MADE IN TAIWAN