

# Delta™

Children's Products

Read all instructions before assembly and use.  
**KEEP INSTRUCTIONS FOR FUTURE USE.**

**⚠ ADULT ASSEMBLY REQUIRED**

Due to the presence of small parts during assembly, keep out of reach of children until assembly is complete.



Crib not included  
shown as example  
only. Actual crib may  
vary.

**THIS PRODUCT IS NOT INTENDED FOR INSTITUTIONAL OR COMMERCIAL USE.**

Consumer Care:  
[www.DeltaChildren.com](http://www.DeltaChildren.com)  
Delta Children's Products  
114 West 26th Street  
New York, NY 10001  
Tele. 212-645-9033

Style #: \_\_\_\_\_  
Lot: \_\_\_\_\_  
Date: \_\_\_\_\_



REV    FACTORY



When contacting Delta Consumer Care you will need to reference the above numbers. They can also be found on the label on the bottom of the Guardrail.

To register your product for important safety alerts and updates to your product please visit [www.DeltaChildren.com](http://www.DeltaChildren.com) and click on Product Registration.

## **⚠️WARNING**

### **INFANTS HAVE DIED IN TODDLER BEDS FROM ENTRAPMENT.**

Openings in and between toddler bed parts can entrap head and neck of a small child.

**NEVER** use toddler bed with children younger than 15 months.

**ALWAYS** follow assembly instructions.

The maximum user weight is 50lbs (22.7kg)

## **⚠️WARNING**

### **STRANGULATION HAZARD**

**NEVER** place bed near windows where cords from blinds or drapes may strangle a child.

**NEVER** suspend strings over a bed.

**NEVER** place items with a string, cord, or ribbon, such as hood strings or pacifier cords, around a child's neck. These items may catch on bed parts.

## **⚠️CAUTION**

### **ENTRAPMENT HAZARD**

To avoid dangerous gaps, any mattress used in this bed shall be a full-size crib mattress at least 51 5/8 in (1310mm) in length, 27 1/4 in (690mm) in width and 4 in (100mm) in thickness. The mattress thickness must not exceed 6 in (150mm).

### **NOTES ON ASSEMBLY:**

-During the assembly process whenever using screws or bolts, check each by placing the screw/bolt on the diagram of the item which is drawn actual size and design. Be sure to use the proper size and shape specified in the instructions.

-To assemble this unit you may be required to place the unit on it's side and face. It is strongly recommended that assembly is done on a soft, non-abrasive surface to avoid damaging the finish.

### **NOTES ON USE:**

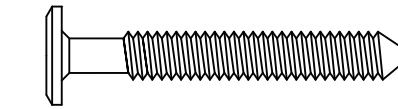
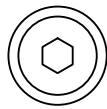
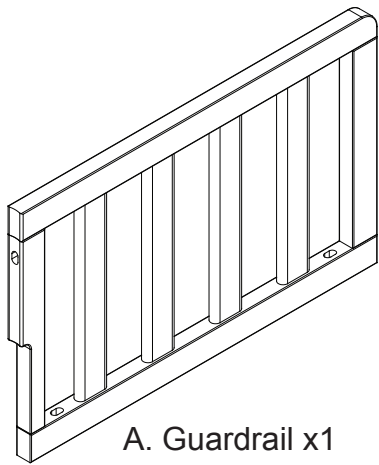
Keep children and others safe by following these simple rules:

- **Do not** allow any child to play on furniture
- **Do not** allow climbing on any piece of furniture.
- **Do not** allow hanging from any piece of furniture.
- Always monitor your child's activity when in the nursery.

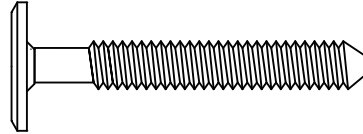
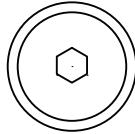
### **NOTES ON CARE AND MAINTENANCE:**

- **Do not** scratch or chip the finish.
- Inspect the product periodically, contact Delta Children's Products for replacement parts or questions.
- **Do not** store the product or any parts in extreme temperatures and conditions such as a hot attic or a damp, cold basement. These extremes can cause a loss of structural integrity.
- To preserve the luster of the high quality finish on your product, it is recommended to place a doily or felt pad under any items you place on the finish.
- Clean with a damp cloth, then a dry cloth to preserve the original luster and beauty of this fine finish.
- Do not** use abrasive chemicals.
- Do not** spray cleaners directly onto furniture.
- Lift slightly when moving on carpeting to prevent leg breakage.
- Use of a vaporizer near furniture will cause wood to swell and finish to peel.

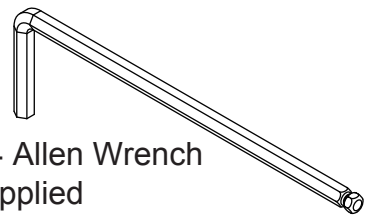
# PARTS: Pieces, hardware and tools required



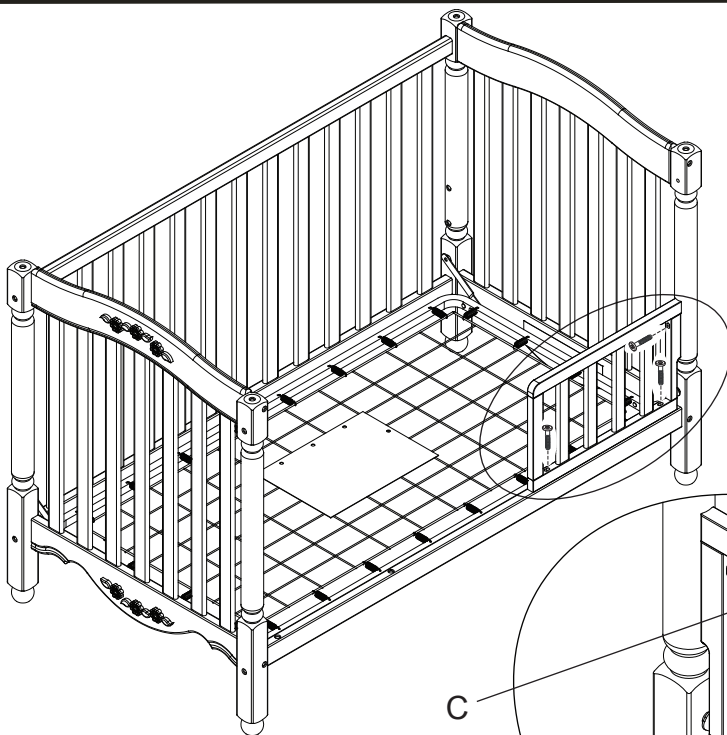
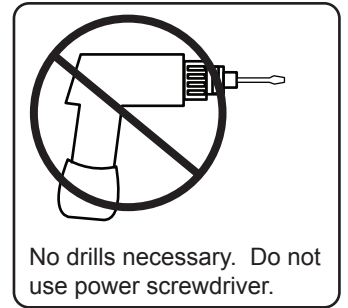
B. M6x45 mm Bolt x2  
Part #5466



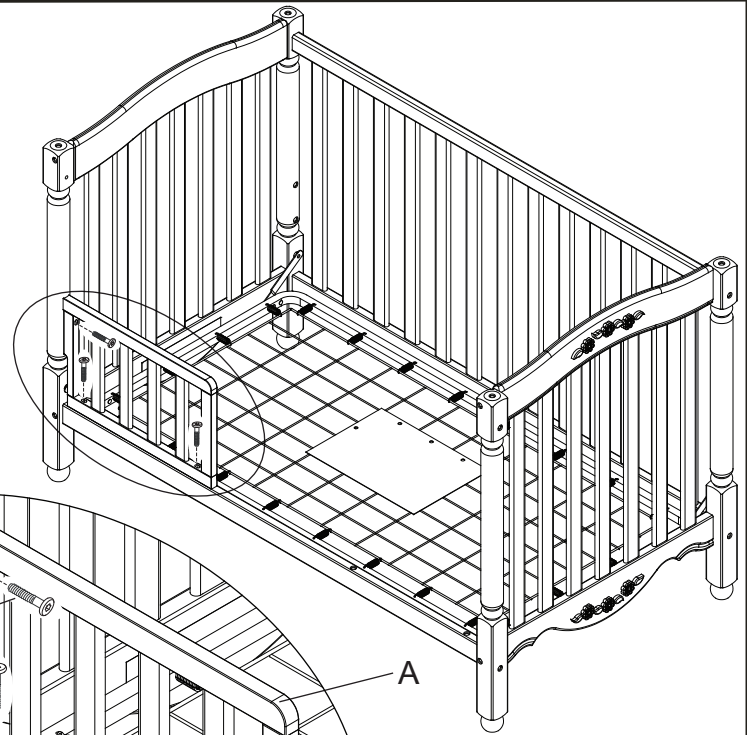
C. M6x45 mm Φ17 Head Bolt x1  
Part #5587



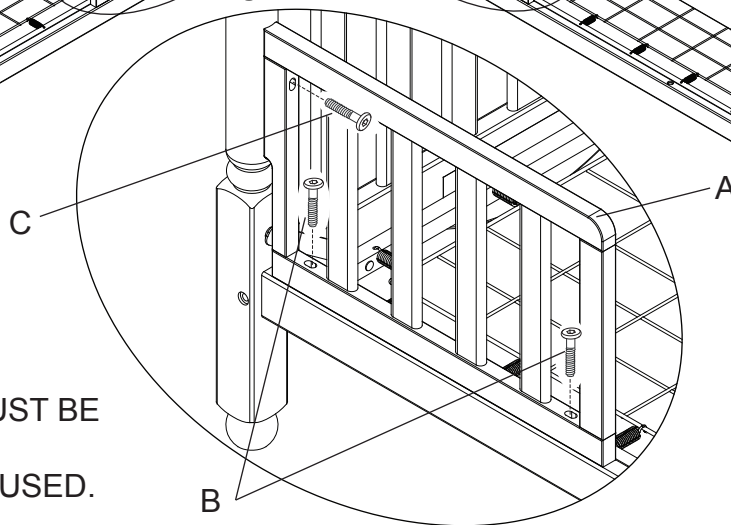
M4 Allen Wrench  
Supplied  
Part #1177



Right Installation



Left Installation



⚠ MATTRESS SUPPORT MUST BE IN LOWEST POSITION.  
STABILIZER BAR MUST BE USED.

1. Check to confirm that your Delta Crib Instructions indicate that it can use the 0081 Toddler Bed Guard Rail.
2. Follow all instructions included with the crib.
3. Determine if you will install on the right or left, ensure there are inserts on the stabilizer rail where you choose to install the guard rail.
4. Attach the Guard Rail (Part A) to the Crib Stabilizer Bar using (2) M6x45mm Bolts (Part B) as shown above.
5. Attach the Guard Rail to the Crib Post using (1) M6x45 mm Φ17 Head Bolt.
6. Tighten all bolts with the M4 Allen Wrench Provided.



**Children's Products**

Consumer Care:

[www.DeltaChildren.com](http://www.DeltaChildren.com)

Delta Children's Products

114 West 26th Street

New York, NY 10001

Tele.212-645-9033

**Warranty:** This Delta product is warranted to be free from defects for a period of 90 days from the date of purchase under normal use. This warranty extends only to the original retail purchaser and is valid only when supplied with proof of purchase, or if received as a gift, when the registration is on file with Delta.

To register your product for important safety alerts and updates to your product please visit [www.deltachildren.com](http://www.deltachildren.com)

Please do not return this item to the store before contacting us about missing parts or with any questions.

To report a problem, please log on to [www.deltachildren.com](http://www.deltachildren.com) and click the Consumer Care Tab, or contact us by phone at (212) 645-9033.

In the event that you need to contact our customer service department please have the Style Number and Lot Number available.

Use the space below to make note of those numbers. They can be found on the label on the bottom of the Guardrail.