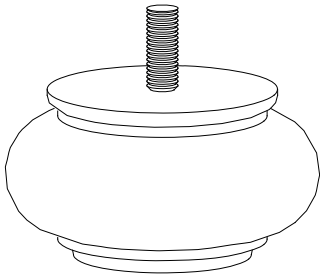
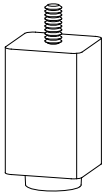


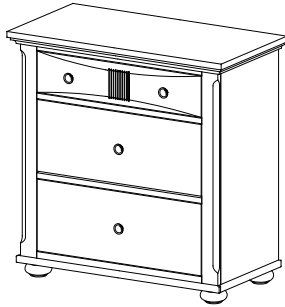
# INSTRUCTIONS



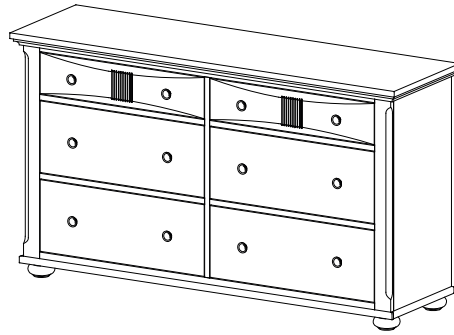
#1 - (4 PER CASE) FOOT



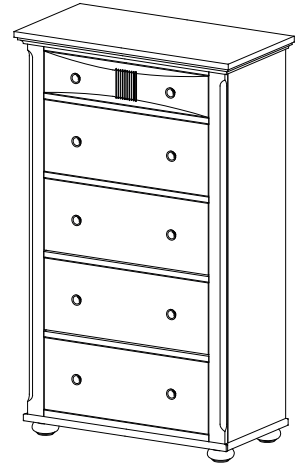
#2 - (1) CENTER LEG  
(FOR DOUBLE DRESSER ONLY)



#300020 NIGHTSTAND



#300030 DOUBLE DRESSER

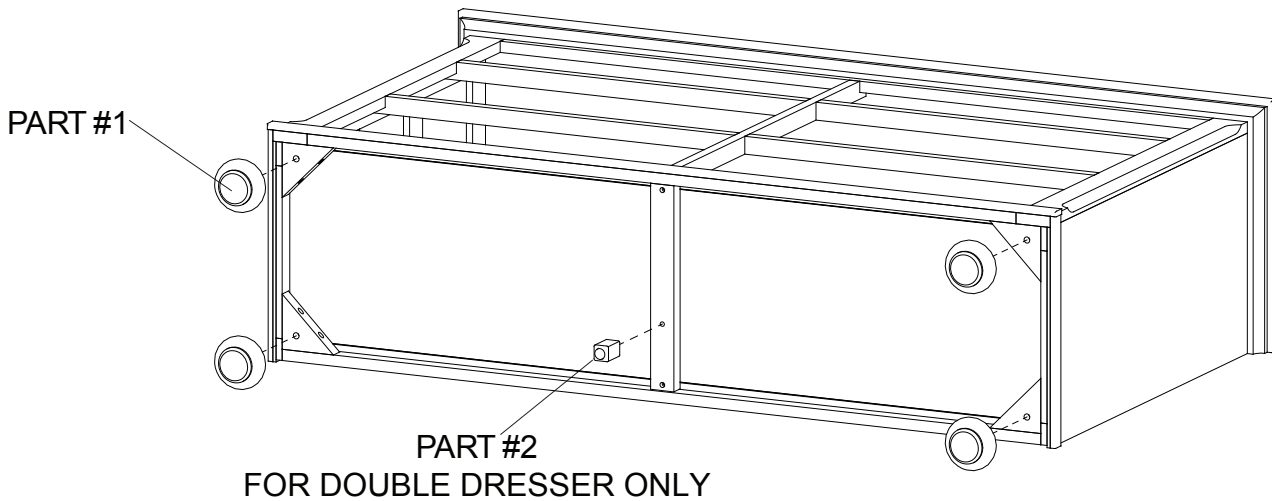


#300050 CHEST

CASES SHOWN ASSEMBLED

## STEPS:

1. CAREFULLY LAY YOUR CASE ON ITS BACK.
2. ATTACH (4) FOOT (PART #1) TO THE BOTTOM OF THE CASE BY HAND, SCREWING THEM INTO THE HOLES.
3. FOR DOUBLE DRESSER ONLY:  
ATTACH (1) CENTER LEG (PART #2) TO THE BOTTOM OF THE CASE BY HAND SCREWING INTO THE HOLE.
4. MAKE SURE ALL FEET ARE TIGHTEN BEFORE STANDING YOUR CASE BACK UP.



PART #2  
FOR DOUBLE DRESSER ONLY



**SIMMONS JUVENILE FURNITURE**  
A Division Of Children's Products, LLC  
114 WEST 26TH STREET  
NEW YORK, NY 10001  
PHONE: 1-800-218-2741  
TÉLÉPHONE: 1-800-218-2741  
TELÉFONO: 1-800-218-2741  
FAX: (920) 779-4216

Trademark is a registered trademark of Dreamwell, LTD., a subsidiary of Simmons Bedding Company, Atlanta, GA  
Manufactured by Children's Products, LLC under license from the trademark owner, Dreamwell, LTD., a subsidiary of Simmons Bedding Company, Atlanta, GA

OCTOBER 2, 2011  
22416