

Delta™

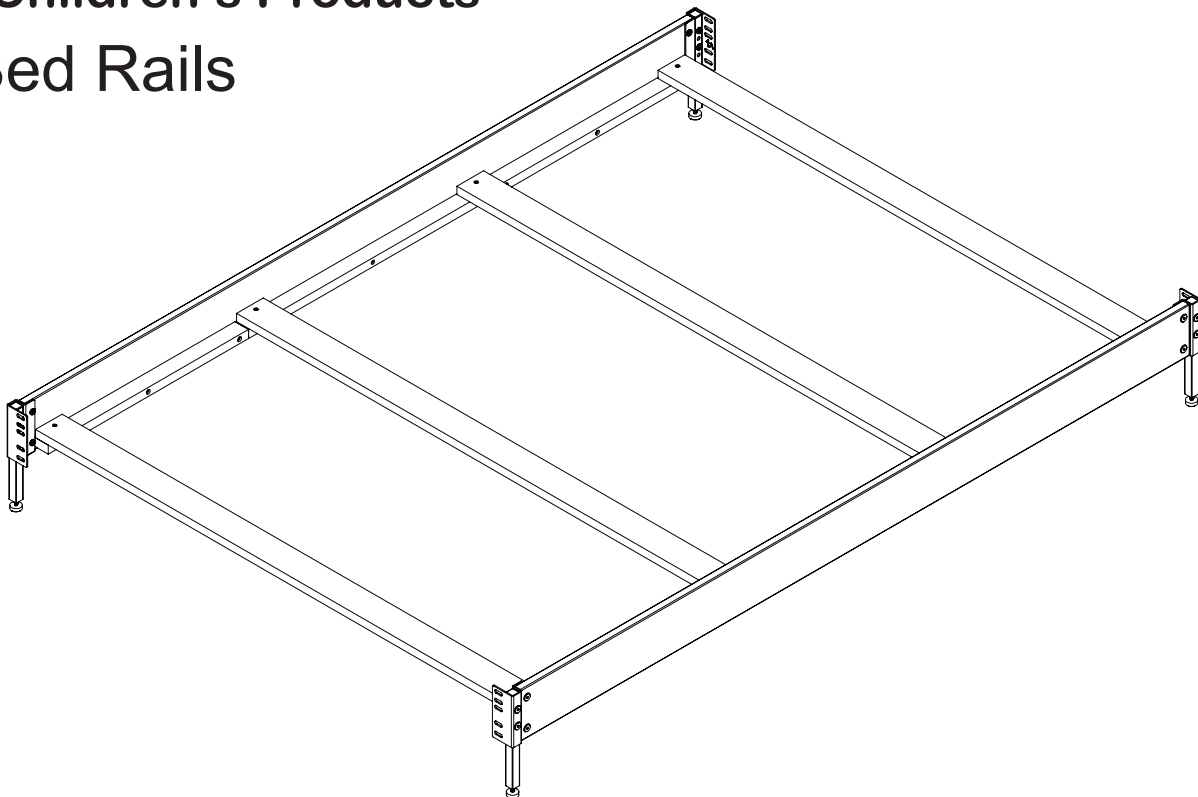
Children's Products

Bed Rails

Read all instructions before assembly and use.
KEEP INSTRUCTIONS FOR FUTURE USE.

▲ ADULT ASSEMBLY REQUIRED

Due to the presence of small parts during assembly, keep out of reach of children until assembly is complete.



THIS PRODUCT IS NOT INTENDED FOR INSTITUTIONAL OR COMMERCIAL USE.

Consumer Care:
www.DeltaChildren.com

Delta Children's Products
114 West 26th Street
New York, NY 10001
Tele. 212-645-9033

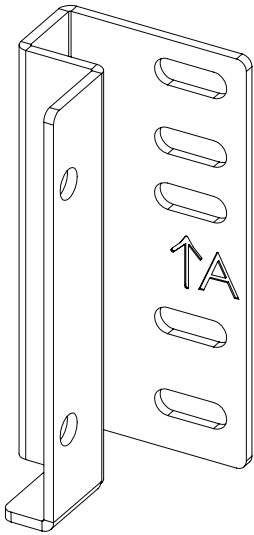
Style #: _____
Lot: _____
Date: _____

REV FACTORY

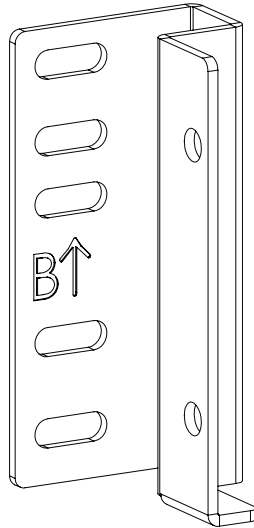
When contacting Delta Consumer Care you will need to reference the above numbers. They can also be found on the label on the End of the Bed Rail

To register your product for important safety alerts and updates to your product please visit www.DeltaChildren.com and click on Product Registration.

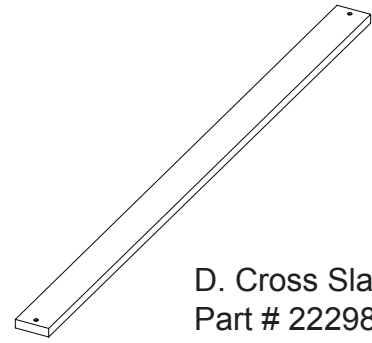
PARTS: MAKE SURE THAT ALL PRE-ASSEMBLED PARTS ARE TIGHT.



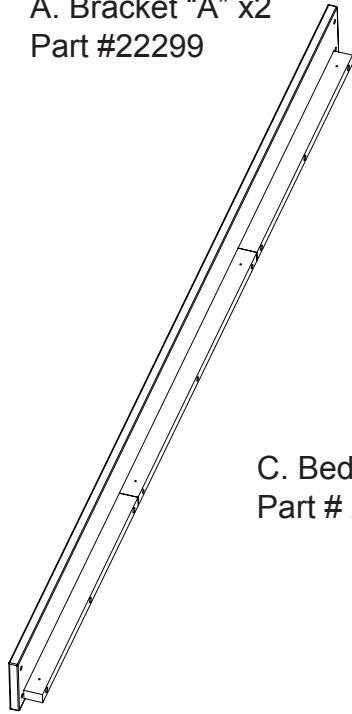
A. Bracket "A" x2
Part #22299



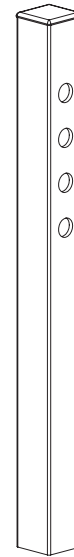
B. Bracket "B" x2
Part #22300



D. Cross Slat x4
Part # 22298

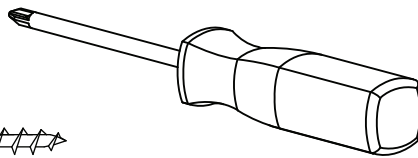


C. Bed Rail x2
Part # 22297



H. Post x4
Part # 22301

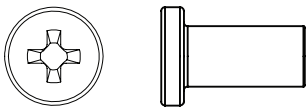
PARTS: Hardware and Tools



Phillips Screwdriver
Not Supplied

See Front Cover for Color Code

Color Code	Hardware Kit
100	
108	22302
204	
205	
245	22304
607	
645	

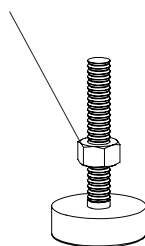


E. Cap Nut x16

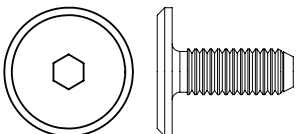


G. M3.5 x 35mm Screw x8

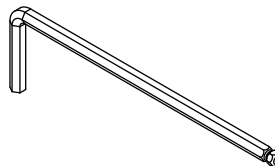
K. Nut x4



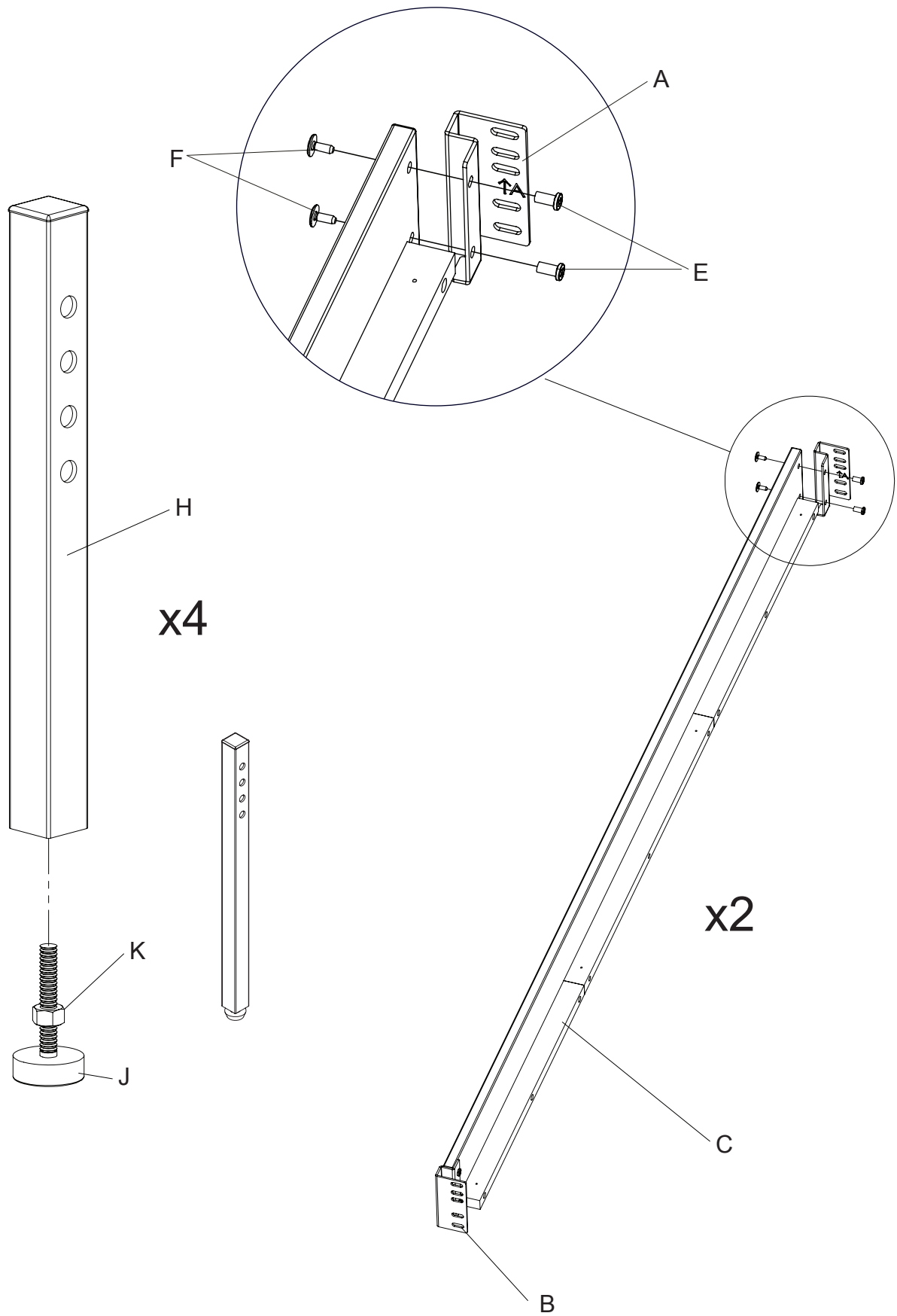
J. Leveler x4

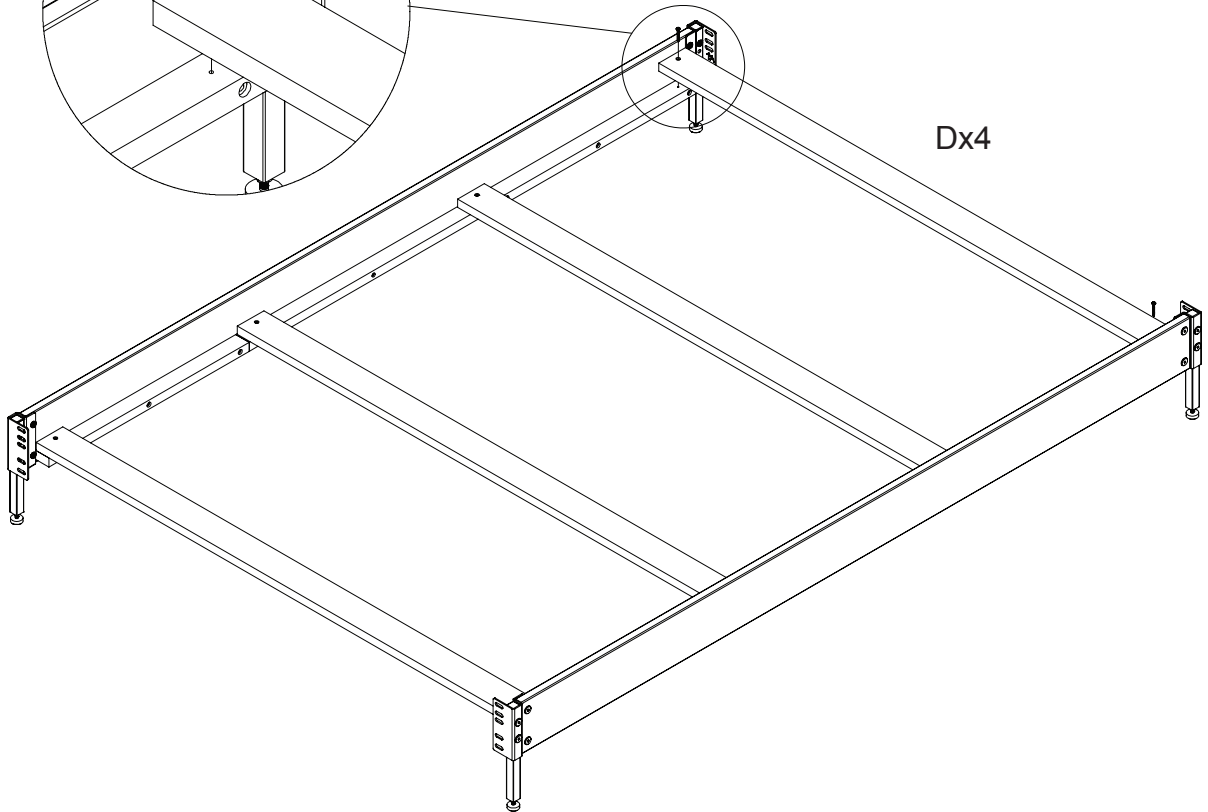
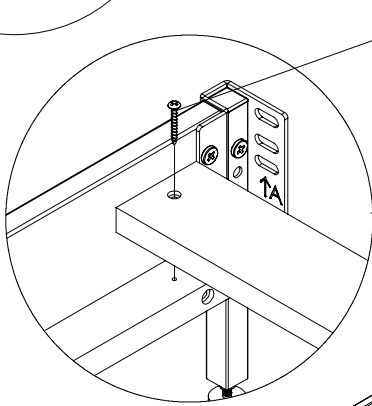
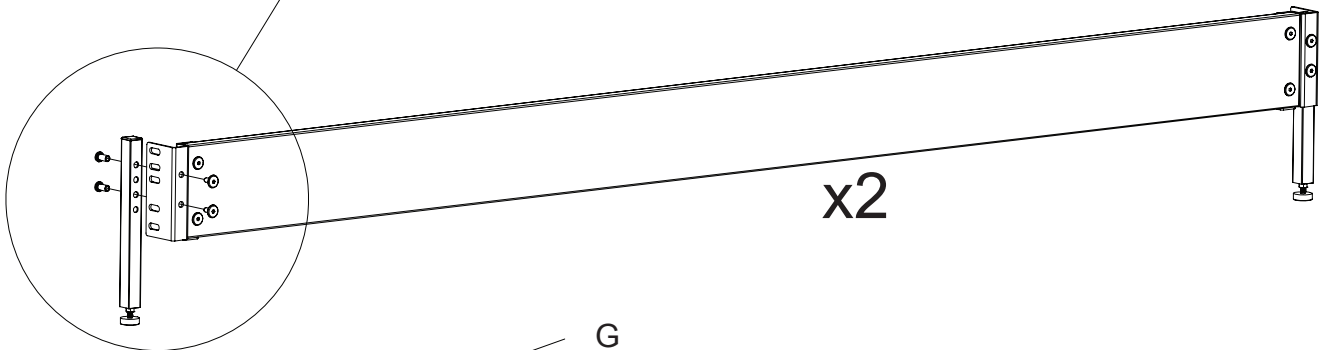
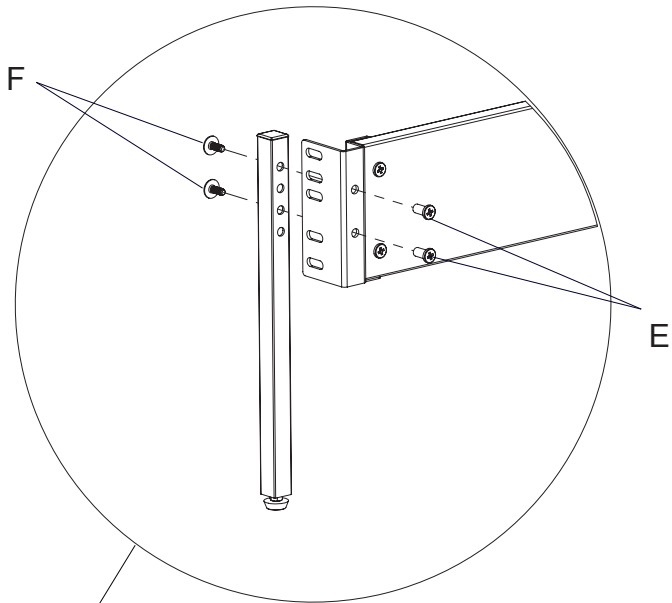


F. M6 Bolt 16mm



M4 Allen Wrench
Supplied

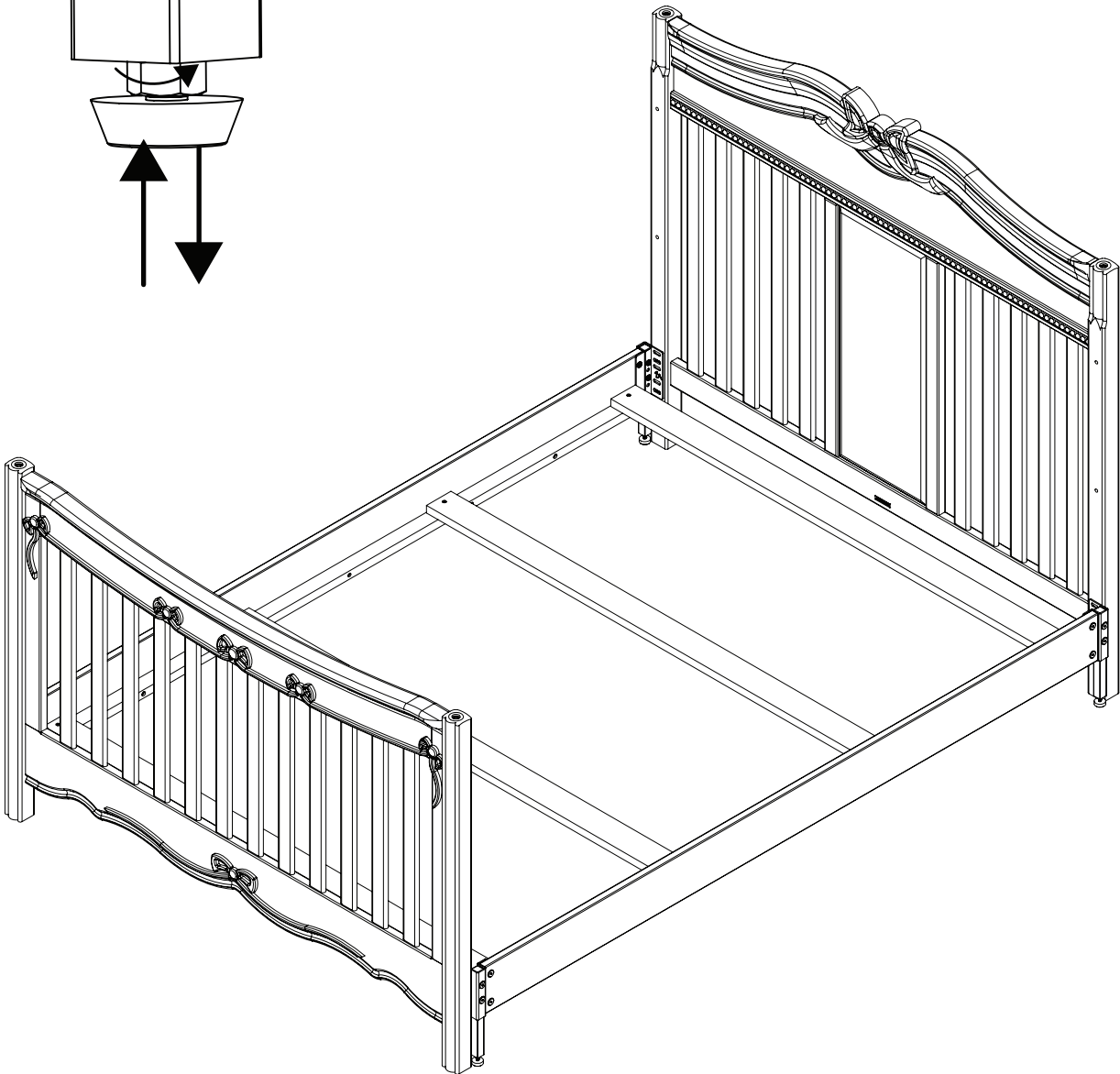
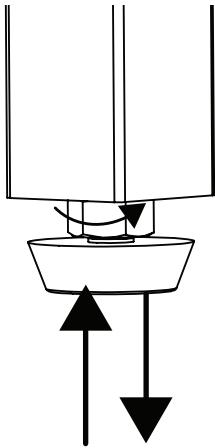
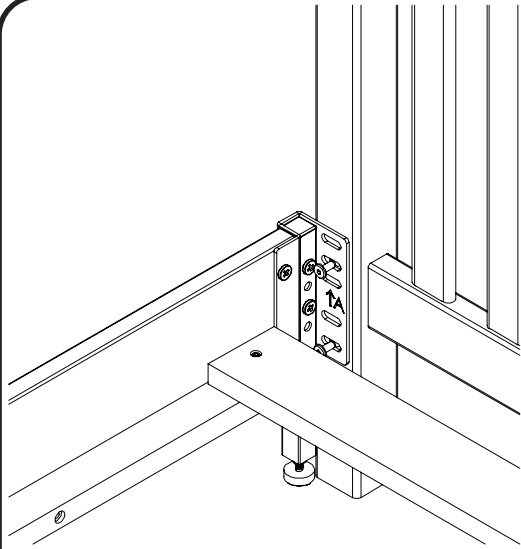




Line the slots with the holes in the headboard and foot board.
Use the bolts supplied with the crib.

The headboard and footboard shown are for illustration only,
they are not included and may vary from those you have.

Turn the leveler to adjust the height. Ensure the
Leveler is tight to the floor. After all bolts are
installed, tighten the nut to the bottom of the
post using a wrench or pliers





Children's Products

Consumer Care:

www.DeltaChildren.com

Delta Children's Products

114 West 26th Street

New York, NY 10001

Tele.212-645-9033

Warranty: This Delta product is warranted to be free from defects for a period of 90 days from the date of purchase under normal use. This warranty extends only to the original retail purchaser and is valid only when supplied with proof of purchase, or if received as a gift, when the registration is on file with Delta.

To register your product for important safety alerts and updates to your product please visit www.DeltaChildren.com

Please do not return this item to the store before contacting us about missing parts or with any questions.

To report a problem, please log on to www.DeltaChildren.com and click the Consumer Care Tab, or contact us by phone at (212) 645-9033.

In the event that you need to contact our customer service department please have the Style Number and Lot Number available. Use the space below to make note of those numbers. They can be found on the label on the End of Bed Rail.

STYLE No:

COLOR

REV

FTY

Lot No. : _____

MFG DATE: _____

Date of Purchase: _____ (you should also keep your receipt)