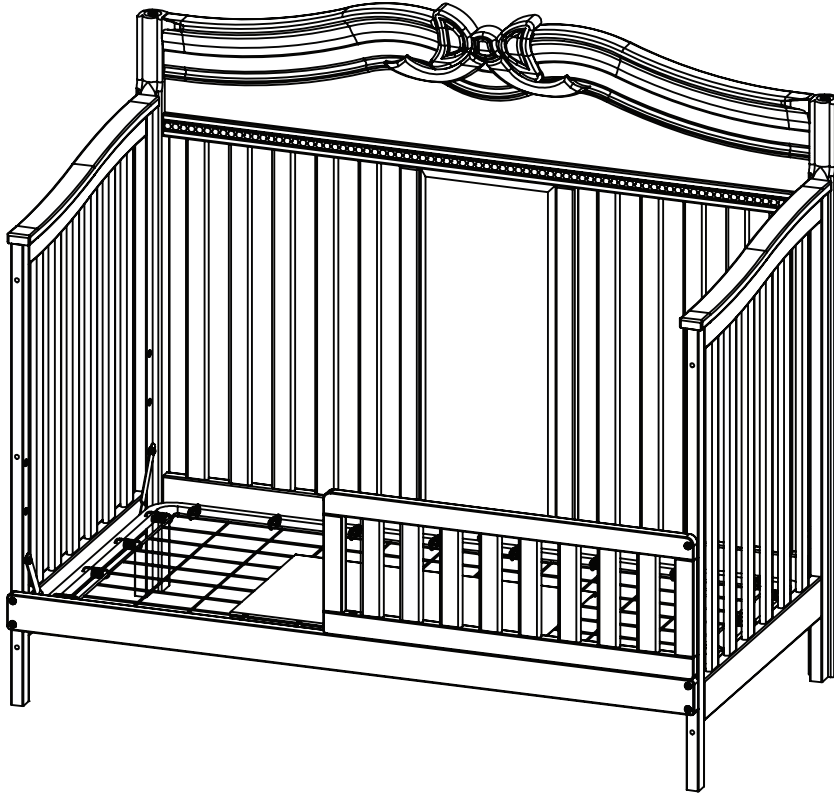


Delta™

Children's Products

READ ALL INSTRUCTIONS BEFORE
ASSEMBLY AND USE.
KEEP INSTRUCTIONS FOR FUTURE USE.
⚠️ **ADULT ASSEMBLY REQUIRED**
DUE TO THE PRESENCE OF SMALL PARTS
DURING ASSEMBLY, KEEP OUT OF REACH OF
CHILDREN UNTIL ASSEMBLY IS COMPLETE.

Day Bed and Toddler Bed Conversion Kit



Crib not included
shown as example
only. Actual crib
may vary.

THIS PRODUCT IS NOT INTENDED FOR INSTITUTIONAL OR COMMERCIAL USE.

STYLE No: 0085-



COLOR



REV



FACTORY

When contacting Delta Consumer Care you
will need to reference the above number.

Consumer Care:

www.deltachildrensproducts.com

Delta Children's Products
114 West 26th Street
New York, NY 10001
Tele.212-645-9033



To register your product for important safety alerts and updates to your product
please visit www.deltachildrensproducts.com and click on Product Registration.

TODDLER BED

⚠️WARNING

INFANTS HAVE DIED IN TODDLER BEDS FROM ENTRAPMENT.

Openings in and between bed parts can entrap head and neck of a small child.

NEVER use bed with children younger than 15 months.

ALWAYS follow assembly instructions.

The maximum user weight is 50lbs (22.7kg)

⚠️WARNING

STRANGULATION HAZARD

NEVER place bed near windows where cords from blinds or drapes may strangle a child.

NEVER suspend strings over a bed.

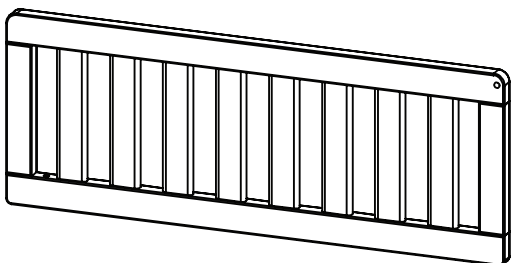
NEVER place items with a string, cord, or ribbon, such as hood strings or pacifier cords, around a child's neck. These items may catch on bed parts.

⚠️CAUTION

ENTRAPMENT HAZARD

To avoid dangerous gaps, any mattress used in this bed shall be a full-size crib mattress at least 51 5/8 in (1310mm) in length, 27 1/4 in (690mm) in width and 4 in (100mm) in thickness. The mattress thickness must not exceed 6 in (150mm).

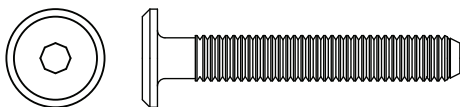
PARTS: Hardware kit #21918



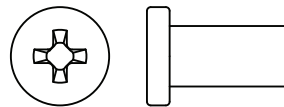
A. Guard rail x 1



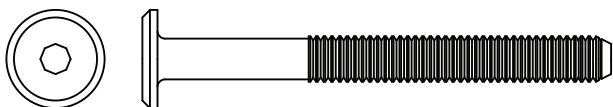
B. Day bed rail x 1



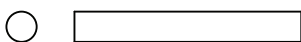
C. M6x40mm Bolt x 5



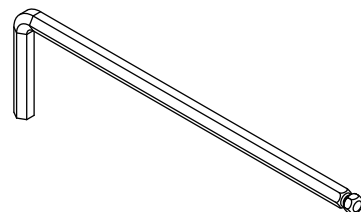
D. Cap nut x1



E. M6x60mm Bolt x 1



F. Metal pin x 1



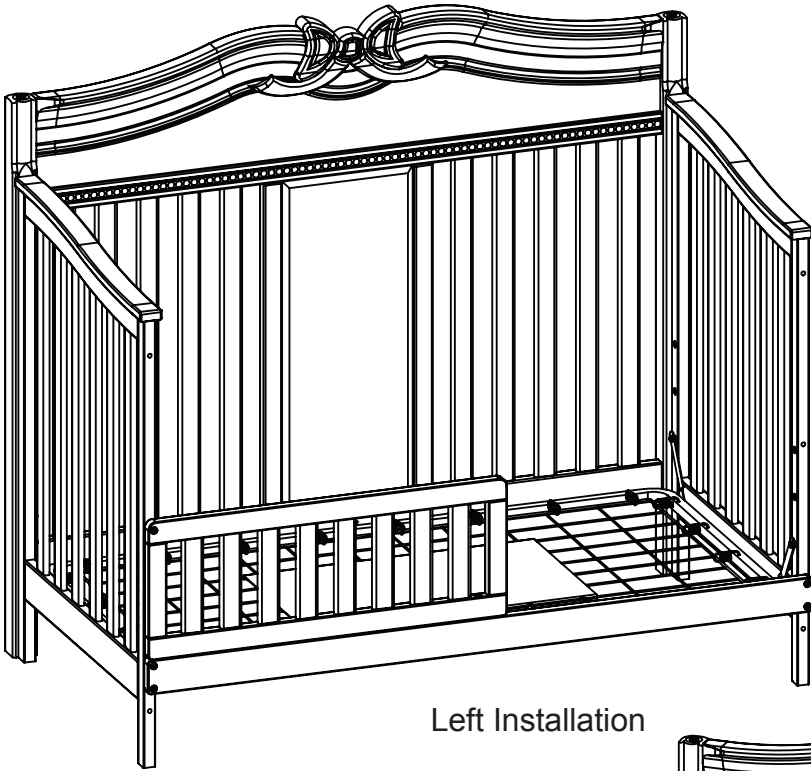
M4 ALLEN WRENCH SUPPLIED



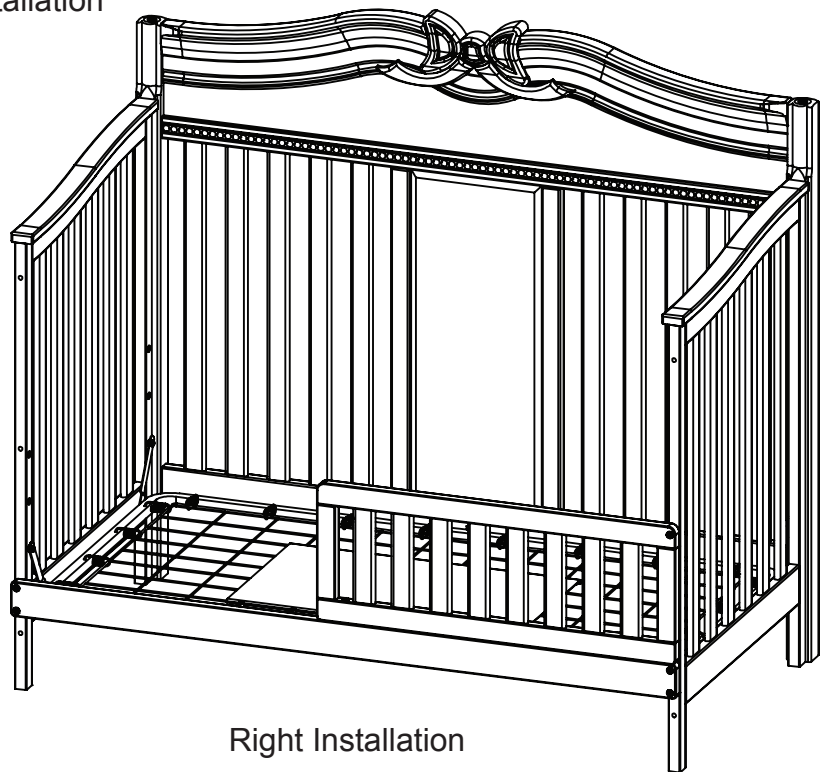
No drills necessary. Do not use power screwdriver.

Step 1:

1. Check to confirm that your Delta Crib Instructions indicate that it can use the 0085 Day Bed and Toddler Bed Conversion Kit.
2. Follow all instructions included with the crib.
3. Determine if you Install the Guard Rail on the Right or Left



Left Installation

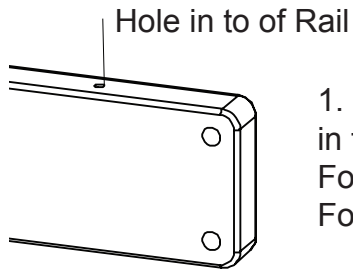


Right Installation

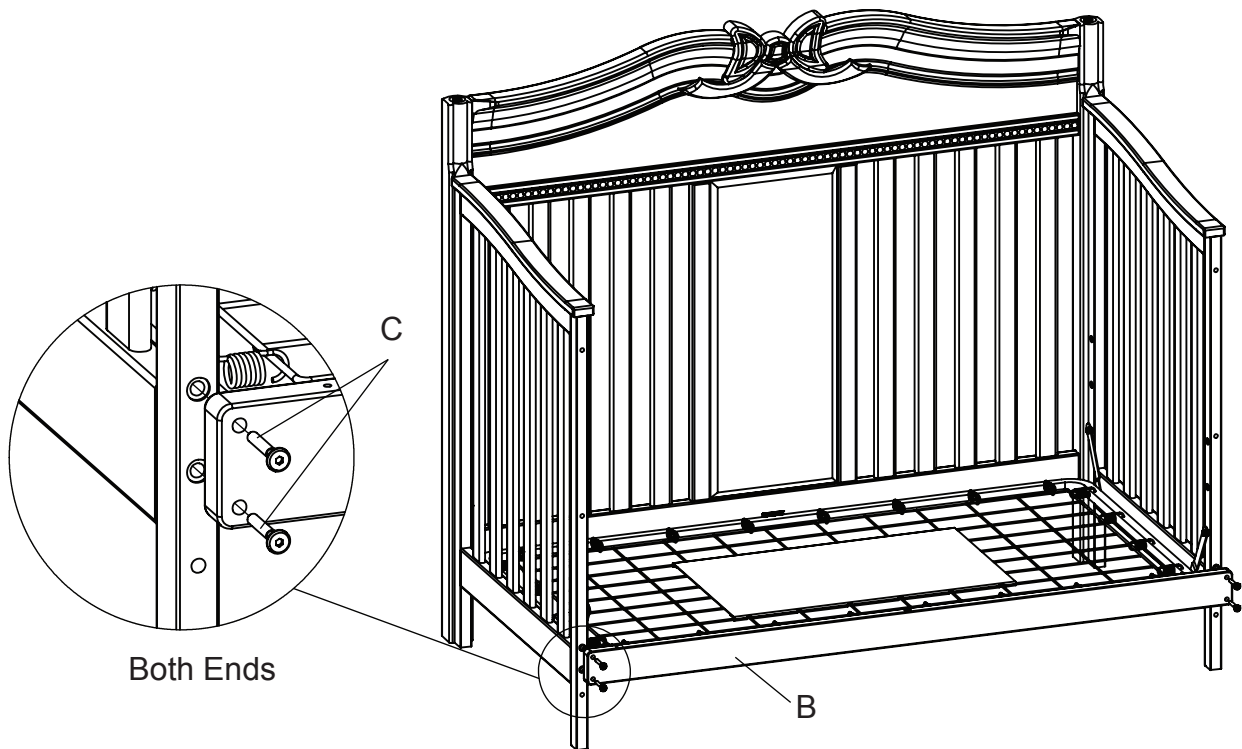
▲WARNING

Mattress Support **MUST** be in the lowest position.
Day Bed Rail **MUST** be used.

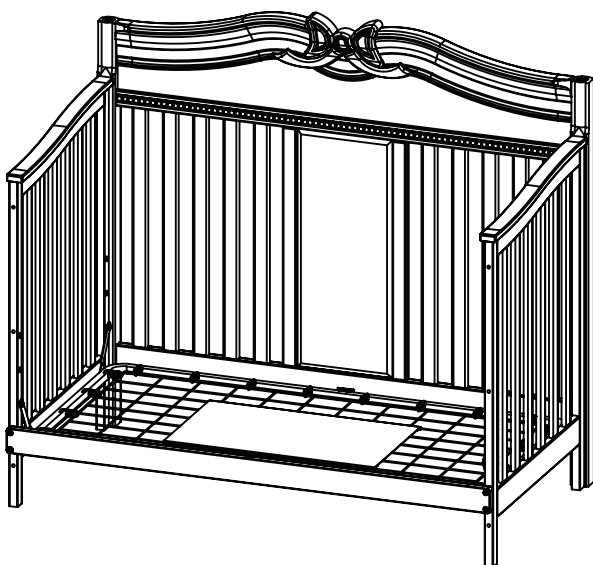
Step 2:



1. One end of the Day Bed Rail (Part B) has a hole in top, the other end has no hole.
For Left Installation the hole must be on the left.
For right Installation the hole must be on the right.



2. Attach the Day Bed Rail (Part B) to the Crib Side, with the hole in the top at the side where the Guard Rail will be installed, using (4) M6x40mm Bolts (Part C). Tighten with the M4 Allen Wrench supplied.

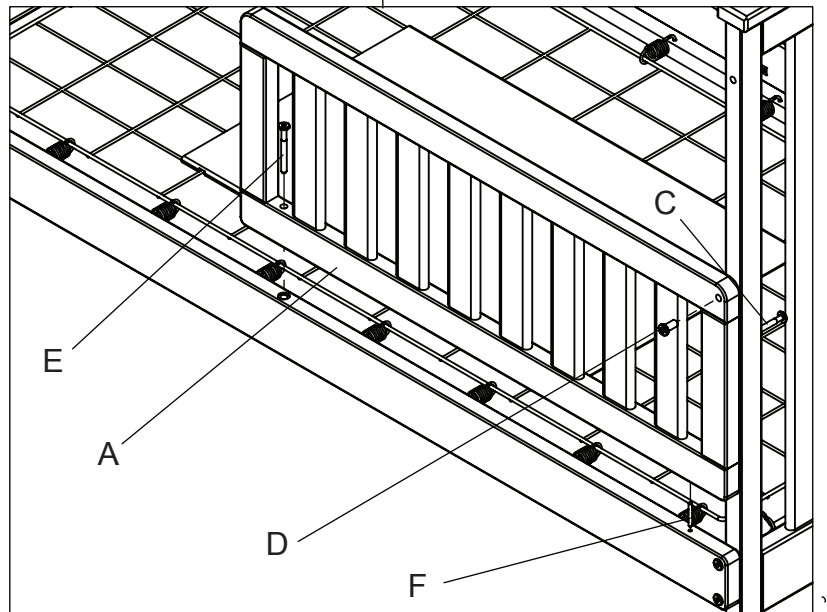
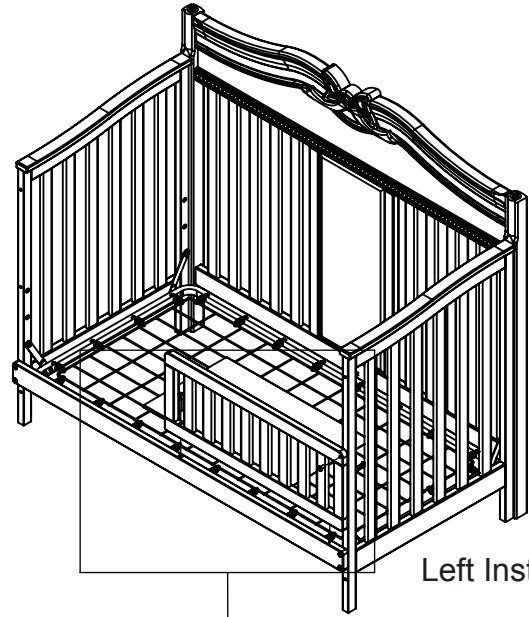
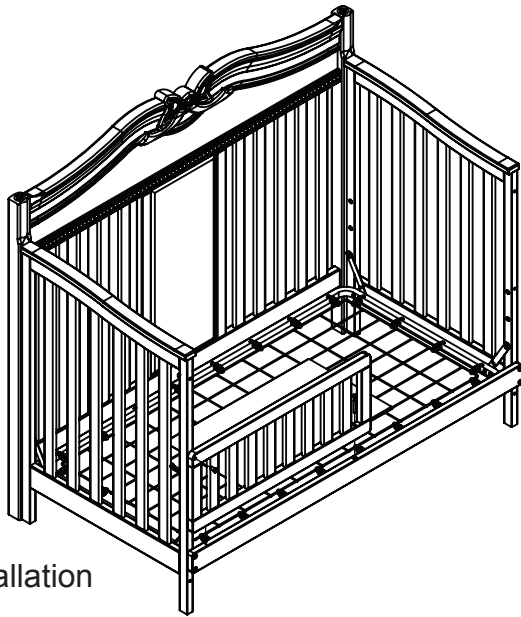


For either Right or Left installation
use as Day Bed as shown

▲WARNING

Mattress Support **MUST** be in the lowest position.
Day Bed Rail **MUST** be used.

Step 3:



1. Attach the Guard Rail (Part A) to the Day Bed Rail, using (1) M6x40mm Bolt (Part C), (1) Cap Nut (Part D), (1) M6x60mm Bolt (Part E), (1) Metal Pin (Part F) as shown.
2. Tighten all bolts with M4 Allen Wrench Provided.

⚠ WARNING

Mattress Support **MUST** be in the lowest position.
Day Bed Rail **MUST** be used.



Children's Products

Consumer Care:

www.deltachildrensproducts.com

Delta Children's Products

114 West 26th Street

New York, NY 10001

Tele.212-645-9033

Warranty: This Delta product is warranted to be free from defects for a period of 90 days from the date of purchase under normal use. This warranty extends only to the original retail purchaser and is valid only when supplied with proof of purchase, or if received as a gift, when the registration is on file with Delta.

To register your product for important safety alerts and updates to your product please visit www.deltachildrensproducts.com
Please do not return this item to the store before contacting us about missing parts or with any questions.

To report a problem, please log on to www.deltachildrensproducts.com and click the Consumer Care Tab, or contact us by phone at (212) 645-9033.

In the event that you need to contact our customer service department please have the Style Number and Lot Number available. Use the space below to make note of those numbers. They can be found on the label on the bottom of the day bed rail.

Style No.: _____

Lot No. : _____

Pack Date: _____

Date of Purchase: _____ (you should also keep your receipt)