

ATLAS STROLLER



J is for Jeep.
Brand

INSTRUCTION MANUAL

ADULT ASSEMBLY REQUIRED
THIS PRODUCT CONTAINS SMALL PARTS
STYLES AND COLORS MAY VARY
11188



Read all instructions BEFORE assembly and USE of product. KEEP INSTRUCTIONS FOR FUTURE USE.

Consumer Information



WARNING

Prevent serious injury from falls or sliding out:

- ALWAYS use the restraint system.
- Only children who have developed enough upper body control to sit without leaning forward can use the front seat in the upright position.
- NEVER leave child unattended.
- DO NOT use the storage bag to carry children.

To prevent product from tipping over:

- DO NOT exceed the maximum storage weight limit of 3 lbs (1.36 kg) in the storage bag.
- DO NOT exceed the maximum storage weight limit of 3 lbs (1.36 kg) in the cup holder.
- DO NOT place additional items on this product, except as recommended in the instructions.

To prevent injury:

- Make sure all body parts are clear of the stroller when folding and unfolding.
- DO NOT place hot liquids in the cup holder. Hot liquids can burn your child.

- Please read these instructions before assembly and use of this product.
- Adult assembly is required.
- Use only for a child who weighs less than 45 lbs (20.41 kg).
- Maximum weight limit for the storage bag is 3 lbs (1.36 kg).
- Maximum weight limit for the cup holder is 3 lbs (1.36 kg).
- Product features and decorations may vary from the photo.

Care

- The plastic parts may be wiped clean using a mild cleaning solution and damp cloth. Hand wash fabric with damp cloth and air dry. Do not use bleach.
- To keep your stroller wheels from squeaking, use a silicone or graphite based lubricant.

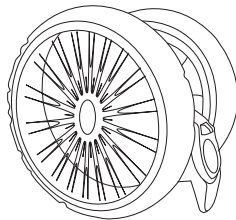
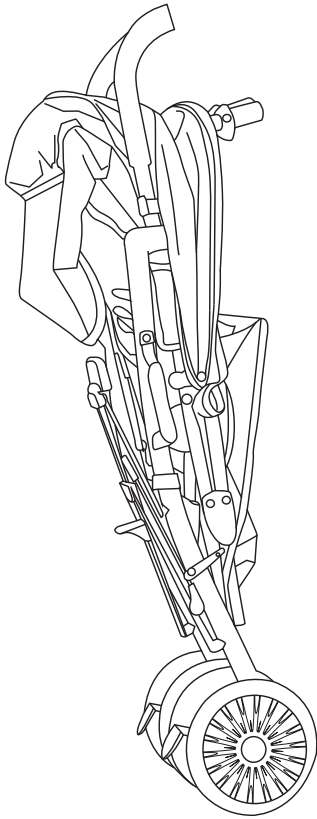


Delta Childrens Products Corp.

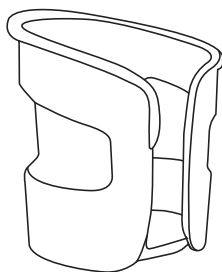
114 West 26th Street
New York, NY 10001
1-800-377-3777
www.deltachildren.com

Parts

IMPORTANT! Please remove all parts from the package and identify them before assembly.



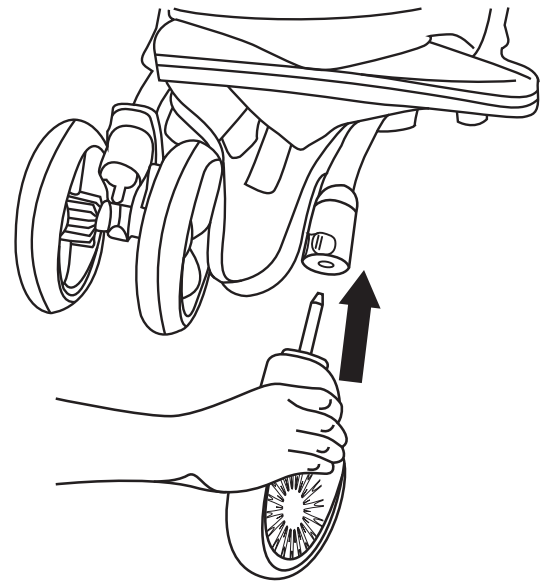
**Front Swivel
Wheels X 2**



Cup Holder

Assembly

IMPORTANT! Before assembly or each use, inspect this product for damaged hardware, loose joints, missing parts or sharp edges. DO NOT use if any parts are missing or broken. Contact manufacturer for replacement parts and instructions if needed. Never substitute parts.



1

Attaching Front Swivel Wheels

- Locate the legs on the front of the stroller. (as pictured above)
- Attach wheel unit to the front of the stroller leg, make sure you hear a “**snap**”.
- Check to make sure the wheel units are properly attached.
- Repeat on opposite stroller leg.


WARNING

Prevent serious injury from falls or sliding out:

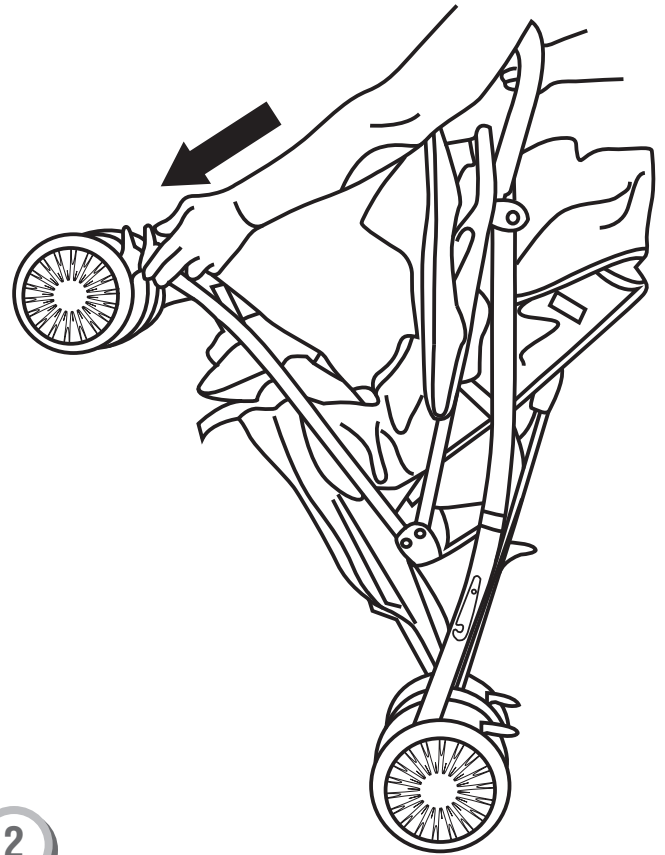
- ALWAYS use the restraint system.
- Only children who have developed enough upper body control to sit without leaning forward can use the front seat in the upright position.
- NEVER leave child unattended.
- DO NOT use the storage bag to carry children.

To prevent product from tipping over:

- DO NOT exceed the maximum storage weight limit of 3 lbs (1.36 kg) in the storage bag.
- DO NOT exceed the maximum storage weight limit of 3 lbs (1.36 kg) in the cup holder.
- DO NOT place additional items on this product, except as recommended in the instructions.

To prevent injury:

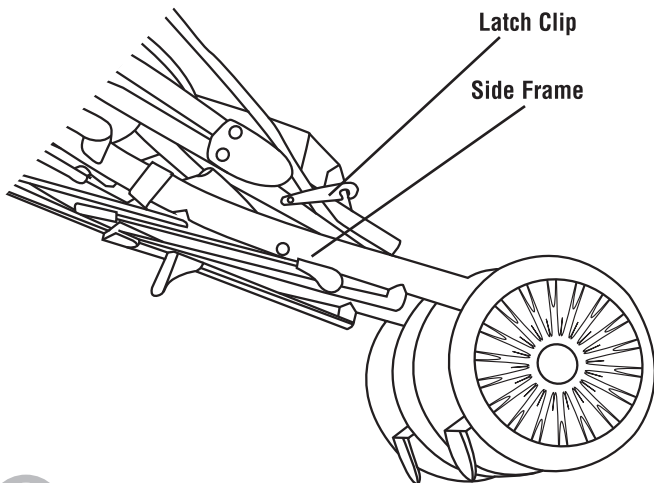
- Make sure all body parts are clear of the stroller when folding and unfolding.
- DO NOT place hot liquids in the cup holder. Hot liquids can burn your child.



2

- Position the stroller upright on its rear wheels.
- Grasp a handle with one hand. With your other hand, push down on the front of the stroller to open.

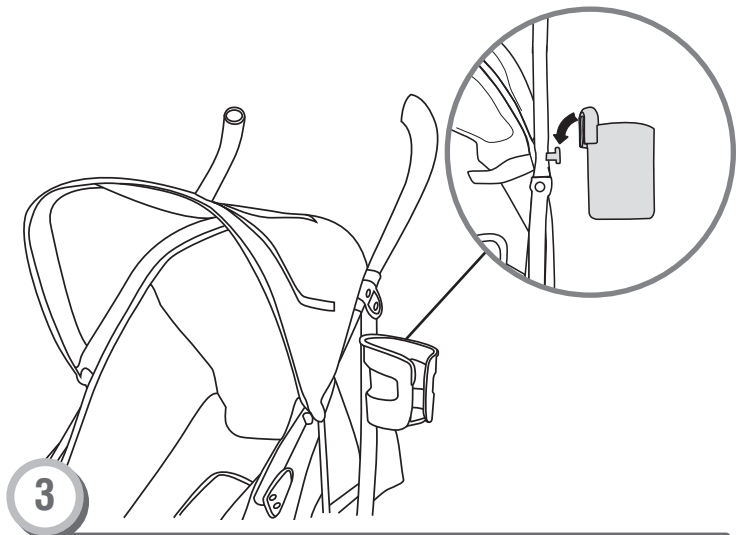
Setup and Use



1

To Unfold

- Locate the latch clip on the side of the stroller.
- Pull to release the latch clip on the side of the stroller.

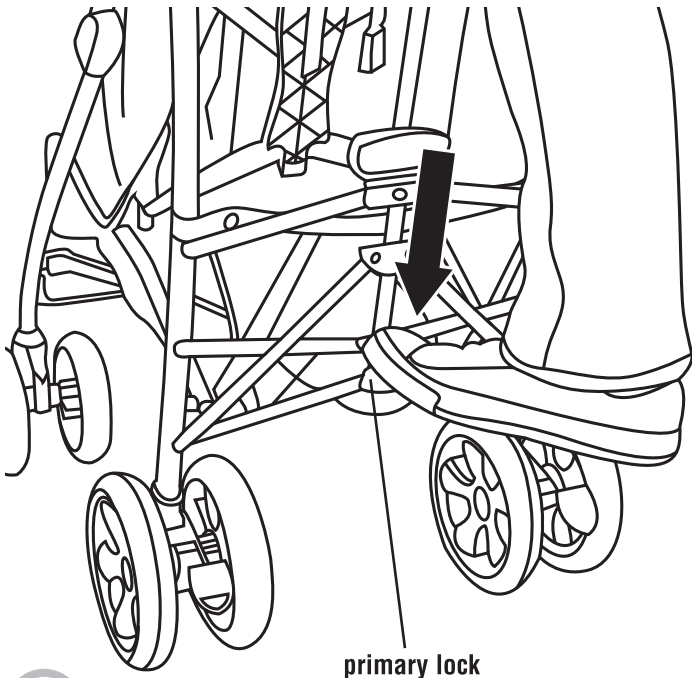


3

Attaching Cup Holder

- Locate the knob on the side of the stroller.
- Fit the notch in the cup holder over the knob on the side rail and push down until you hear a “click”. Pull up on the cup holder to be sure it is secure.

Setup and Use



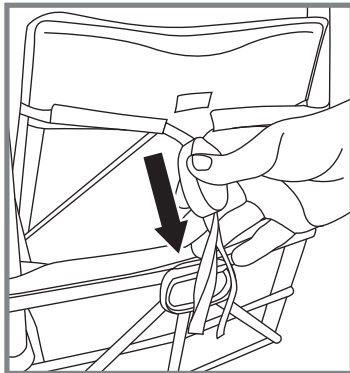
4

Opening Stroller

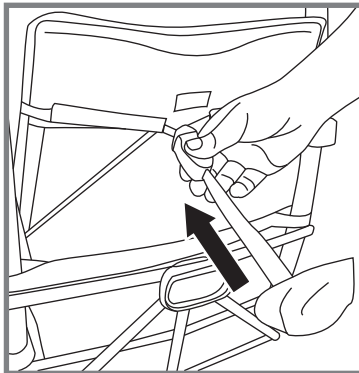
- To unfold the stroller, press down the primary lock and the second lock on the right side will engage automatically.

FIG. 1.

FIG. 2



RECLINE

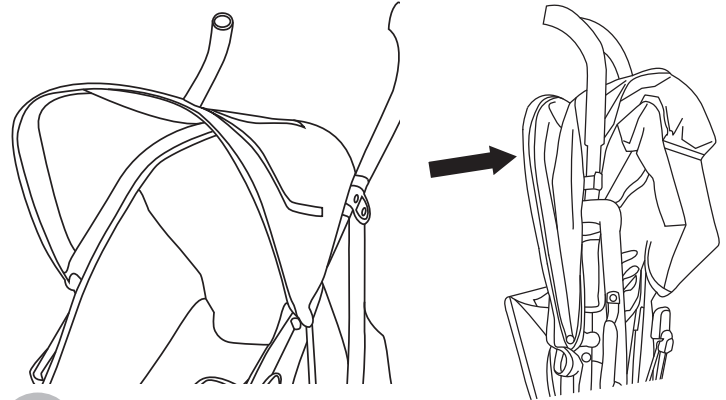


UPRIGHT

5

Seat Back Adjustment

- Press button on cord housing and pull away to recline seat, as shown in FIG. 1.
- To return to an upright position, hold cord loop while moving cord housing towards the backseat. FIG. 2



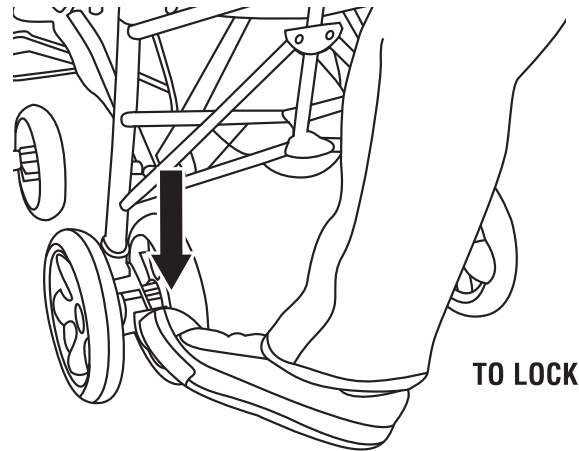
6

CANOPY OPEN

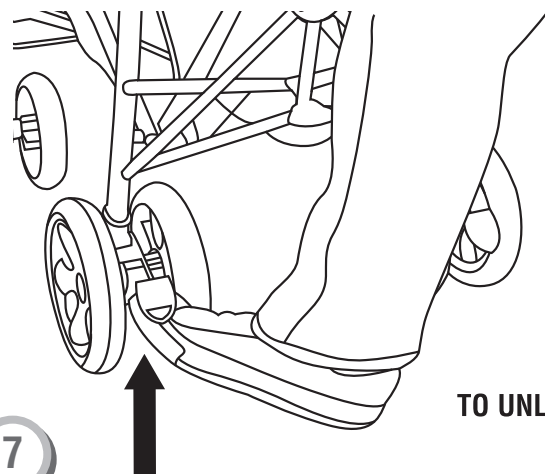
CANOPY CLOSED

Canopy Adjustment

- The canopy can be adjusted to the open or closed position.



TO LOCK



TO UNLOCK

7

Rear Wheel Brakes

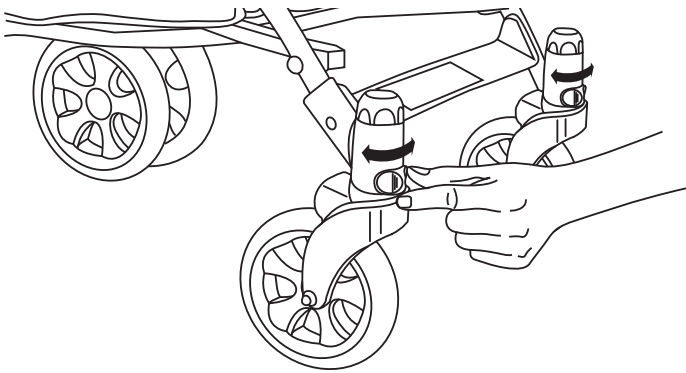
To lock the rear wheel brakes:

- Press **both** brake pedals down until they “**click**” into the locked position. **Make sure the brake pedals are pressed down completely.**
- Always set both brake pedals whenever you park the stroller.

To unlock the rear wheel brakes:

- Lift both brake pedals until they “**click**” into the unlocked position.

Setup and Use



8

LOCK ↔ UNLOCK

Front Swivel Wheel base

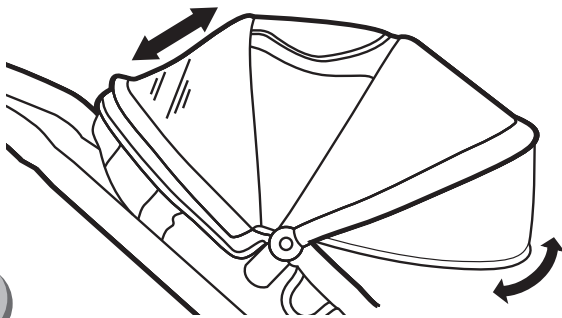
NOTE: Make sure the brake pedals are pressed down completely.

To lock the swivel wheel base:

- Push button to the left until it “click” into the locked position.

To unlock the swivel wheel base:

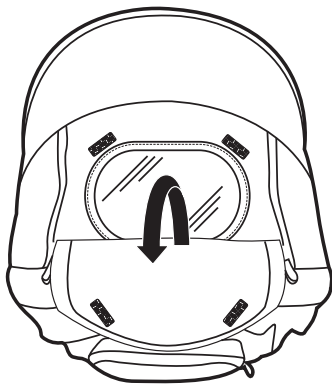
- Push button to the right until they “click” into the unlocked position.



9

To Open Third Section Canopy and Sun Visor

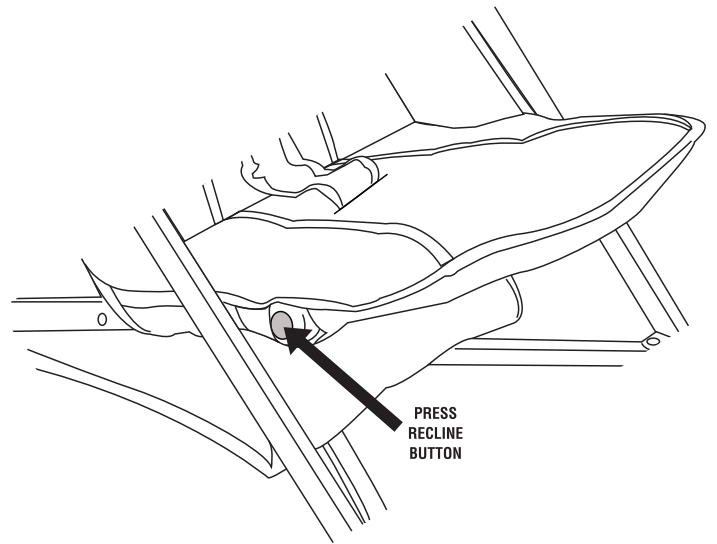
- Rotate the canopy forward to release the third section of canopy. The canopy is fully extended when canopy fabric is pulled tight and will not open any further.
- To open sun visor, rotate forward until sun visor is fully extended. To close sun visor rotate backward and tuck underneath canopy.
- To close the third section of the canopy, rotate canopy backwards until the third section is no longer visible.



10

To Open Peak-a-Boo Canopy Window

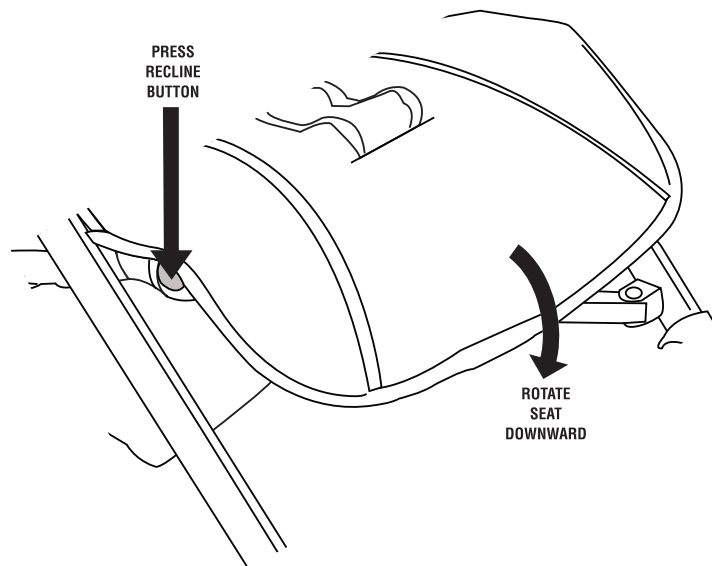
- Unfasten Velcro on both side of the canopy window and flip it to see the peak-a-boo window.



11

To Adjust Footrest:

Press recline button located on the side of seat.

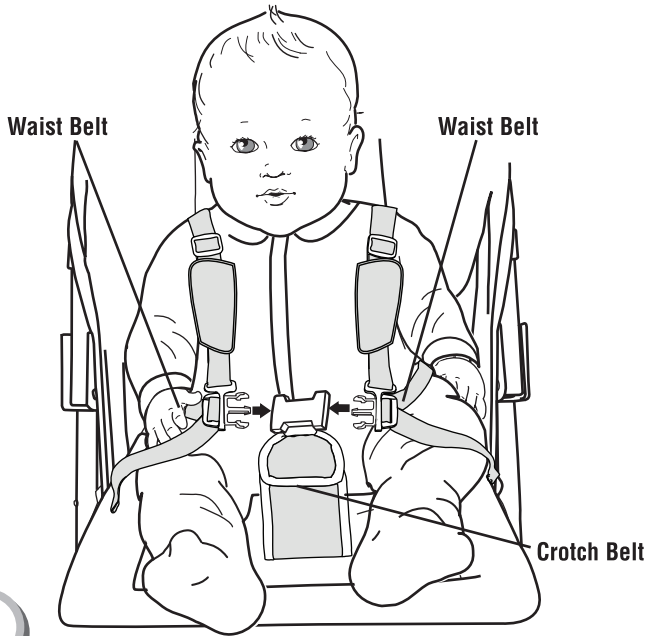


12

To Adjust Footrest:

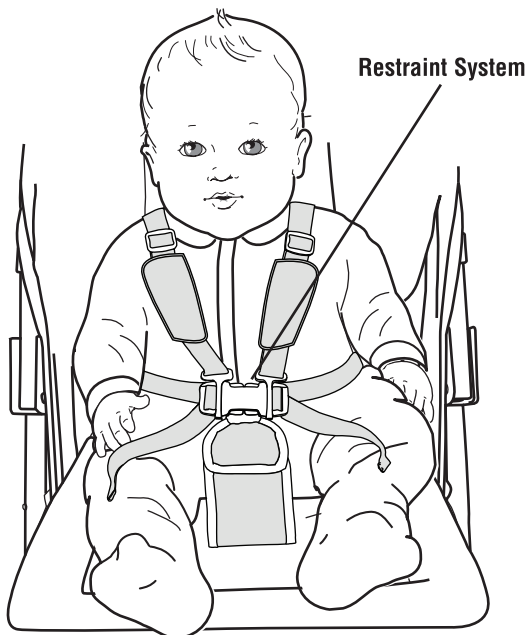
While still pressing side recline button, rotate seat downward until desired position.

Securing Child

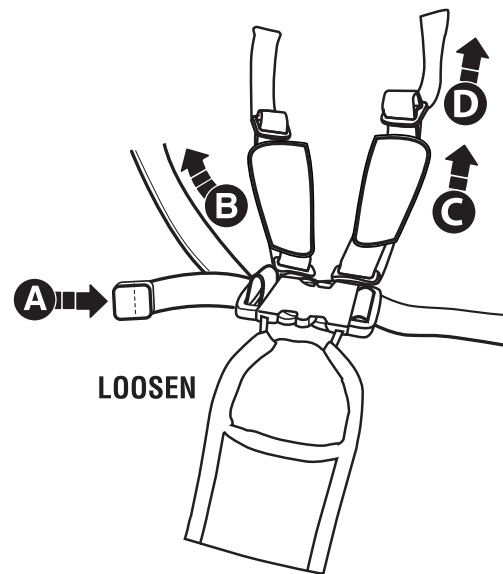
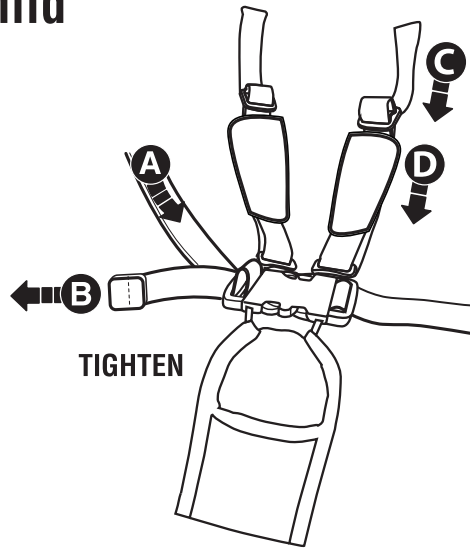


Securing Child

- Place your child in the stroller. Position the crotch belt between your child's legs.
- Pull shoulder straps over child's arm and shoulder and fasten **both** strap ends to the restraint system.
- Fasten **both** waist belts to the buckle on each side of the crotch belt. Make sure you hear a "click" on both sides.
- Check to be sure the restraint system is securely attached by pulling it away from your child. The restraint system should remain attached.



- Tighten each waist belt and shoulder strap so that the restraint system is snug against your child.
Please refer to the next section for instructions to tighten the waist belts.



3

To tighten the waist belts and shoulder straps:

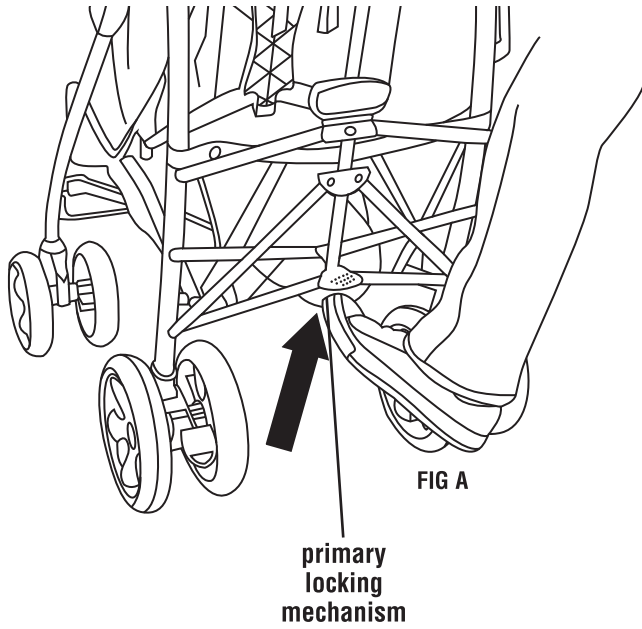
- Feed the anchored end of a waist belt up through the buckle to form a loop **A**. Pull the free end of the waist belt **B**.
- Repeat this procedure to tighten the other waist belt.
- Feed the top end of the shoulder strap through the plastic stay to form a loop **C**. Pull the bottom end down to tighten the strap **D**.
- Repeat this procedure to tighten the other shoulder strap.

To loosen the waist belts and shoulder straps:

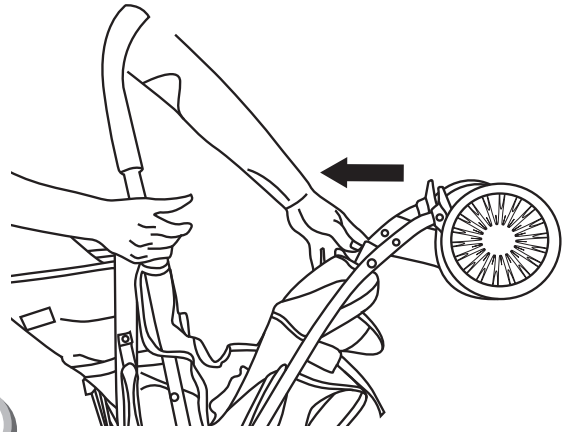
- Feed the free end of the waist belt up through the buckle to form a loop **A**. Enlarge the loop by pulling on the end of the loop toward the buckle. Pull the anchored end of the waist belt to shorten the free end of the waist belt **B**.
- Repeat this procedure to loosen the other waist belt.
- Feed the bottom end of the shoulder strap through the plastic stay to form a loop **C**. Pull the top end up to loosen the strap **D**.
- Repeat this procedure to loosen the other shoulder strap.

Please note: After adjusting the restraint system to fit your child, make sure you pull on it to be sure it is securely fastened.

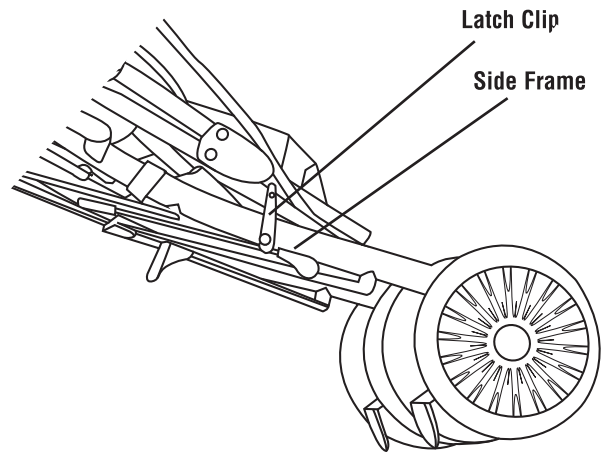
Storage



2

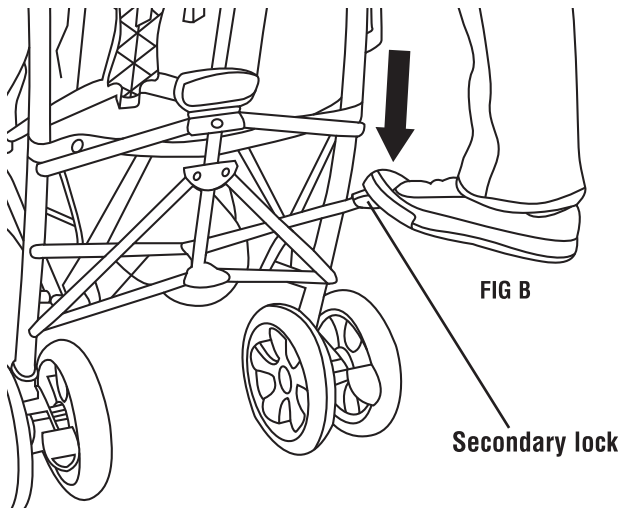


- Lift the front wheels toward the closed canopy.



3

- Slide the latch clip onto the side frame to secure in the folded storage position.

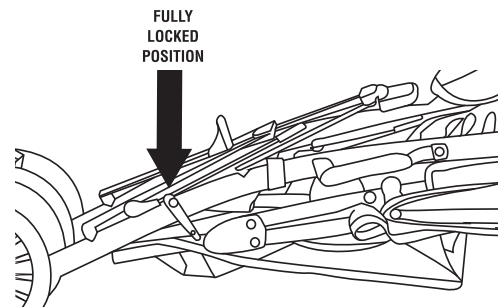


1

Hint: Make sure canopy is in the closed position before folding the stroller.

- With your foot, Pull up on the primary locking mechanism.
- With your foot, step on the secondary lock to fold. **FIG B** **FIG A**

4



- Storage position.



Delta Childrens Products Corp.

114 West 26th Street
New York, NY 10001
1-800-377-3777
www.deltachildren.com