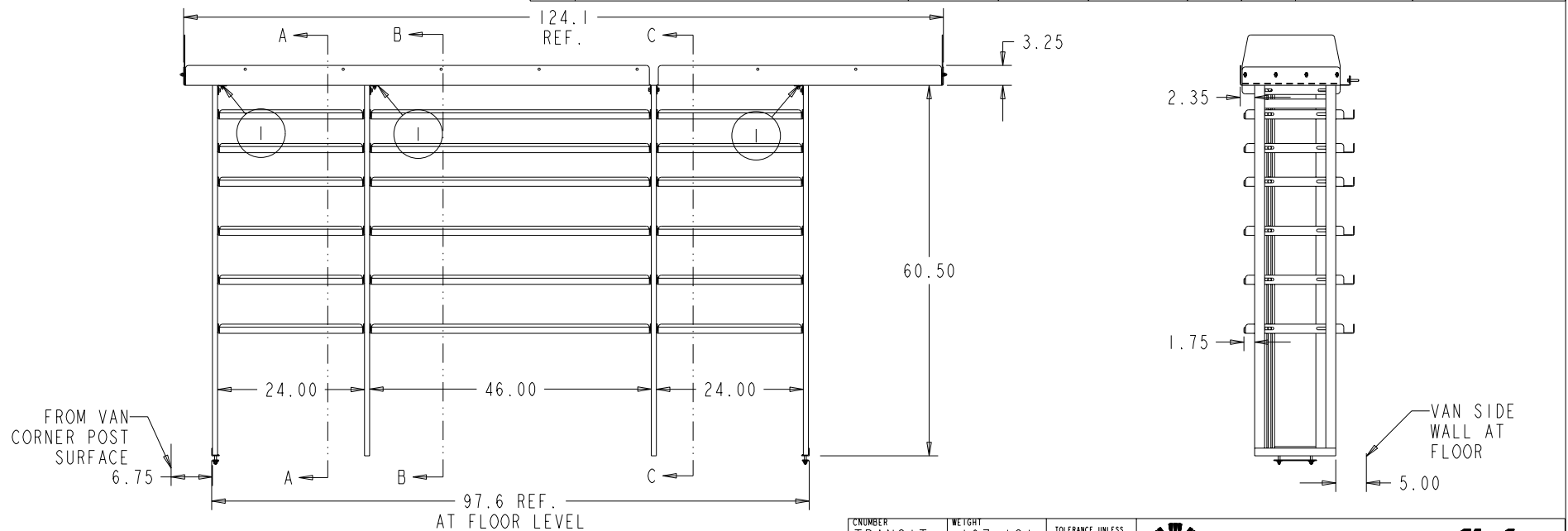


ITEM NUMBER 385301

BBL NO.	ITEM DESCRIPTION	LENGTH	WIDTH	WEIGHT	MATL CODE	QTY REQD	ITEM NO.	MODEL NAME
1	ANGLE-.10X1.50X1.50X 13.25	13.250	2.810	0.334	BB2	3	385287	P15C0410
2	BAR-FLAT 1.00X.12X 7.00	7.000		0.239	B12	2	385241	385241
3	NUT-HEX .25 P			0.007	E1	17	1378	1378
4	NUT-HEX M8 x 1.25 SST			0.011	E1	4	820637	820637
5	NUT-UNISTRUT W/O SPRING .38-16			0.086	C4	82	802807	802807
6	PIPE STOP SHEET	16.000	8.810	1.311	BB2	2	385304	P15C0435
7	SCREW-CARRIAGE .25X .75			0.018	E0	17	1430	1430
8	SCREW-HEX M8-1.25x40MM SST			0.048	E0	9	820664	820664
9	SCREW-HEX.38X .75 GR5	0.750		0.043	E0	82	802804	802804
10	SHELF-TOP 18"x46.88"	46.875	18.000	10.732	BB2	1	385302	P15C0427
11	SHELF-TOP 18"x76.38"	76.375	18.000	17.126	BB2	1	385303	P15C0428
12	SHELF-TRAY 18"x24"	24.000	18.000	5.183	BB2	12	385296	P15C0418
13	SHELF-TRAY 18"x46"	46.000	18.000	9.633	BB2	6	385297	P15C0419
14	UNISTRUT ASM-DOUBLE			9.386	ZA	2	385288	385288
15	UNISTRUT ASM-SINGLE			6.188	ZA	2	385289	385289
16	WASHER-FLAT .38 D-SHAPED			0.007	E2	87	816154	816154
17	WASHER-FLAT M8 SST			0.007	E2	8	820670	820670
18	WASHER-LOCK .25			0.002	E2	17	1372	1372
19	WASHER-LOCK M8 SST			0.004	E2	9	820638	820638



VIEWED FROM AISLE

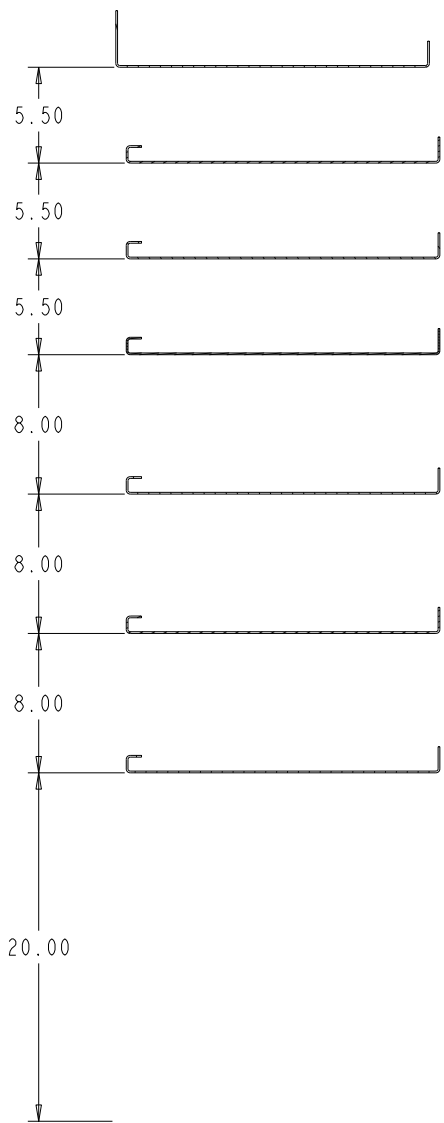
CNUMBER	TRANSIT	WEIGHT	197.181	TOLERANCE UNLESS OTHERWISE SPECIFIED	
ROUTING	FINAL	MATL CODE	ZA	.XX=+/- .060	
ITEM NO	385301	SHAPE DESC		.XXX=+/- .030	
RAW MATL		HRS	0.000	DESCRIPTION	vthackney.com hackney.com kidron.com vtvisioncomms.com VisionComms
DRAWN BY	LCS	DATE	11 APR 13		
APPROVED BY		DATE			
SUPERSEDES		SUPERSEDED BY		SCALE	0.085
				DWG NAME	

VT Hackney *Hackney*
A company of VT Systems

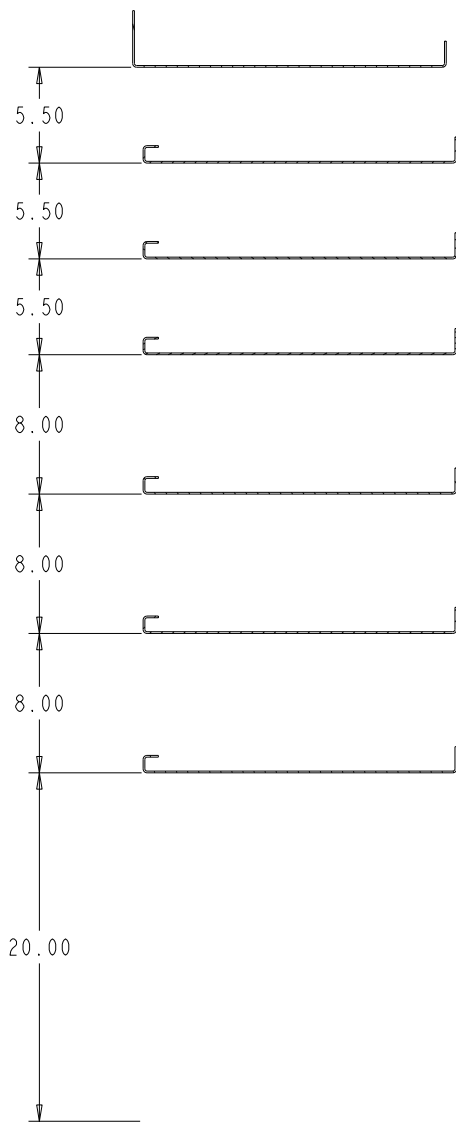
252-946-6521
SHELF ASM.- DRIVERSIDE FORD TRANSIT SHELF OPTION "TDI"

THIS PRINT AND ALL RIGHTS TO THE DESIGN AND DETAIL THEREON ARE THE PROPERTY OF VT HACKNEY AND IS LOANED TO THE RECIPIENT SUBJECT TO RETURN UPON DEMAND. ITS CONTENTS ARE CONFIDENTIAL AND MUST NOT BE COPIED OR SUBMITTED TO OUTSIDE PARTIES FOR USE OR EXAMINATION. COPYRIGHT 2015 VT HACKNEY A COMPANY OF VT SYSTEMS

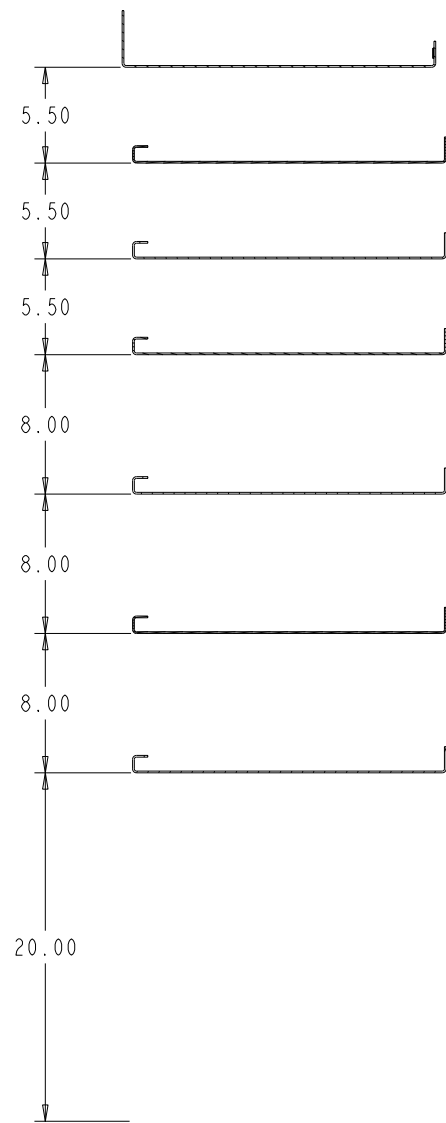
REV	REVISION DESCRIPTION	ECN	DATE	INITIALS





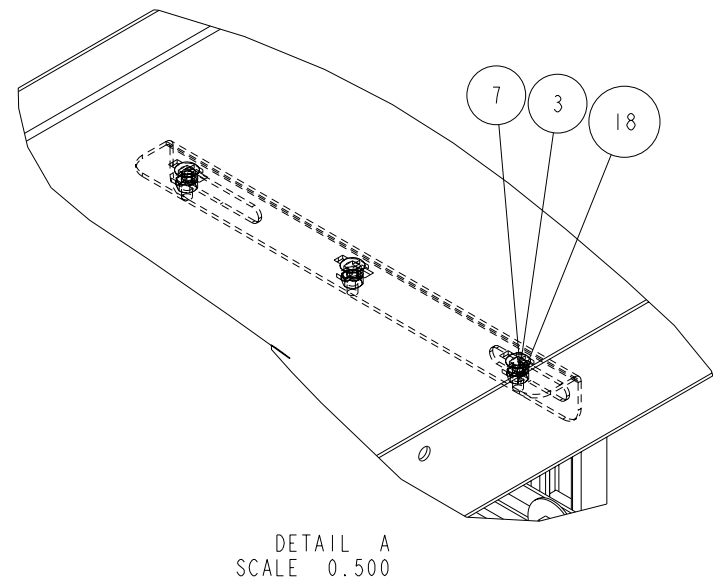
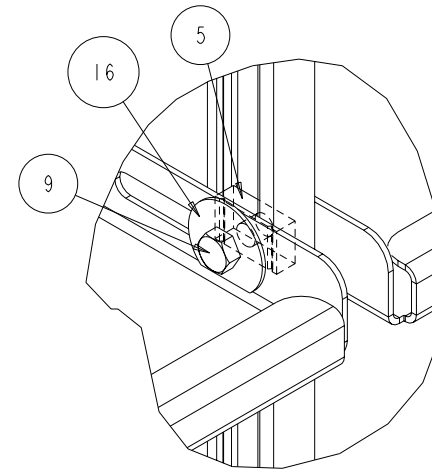
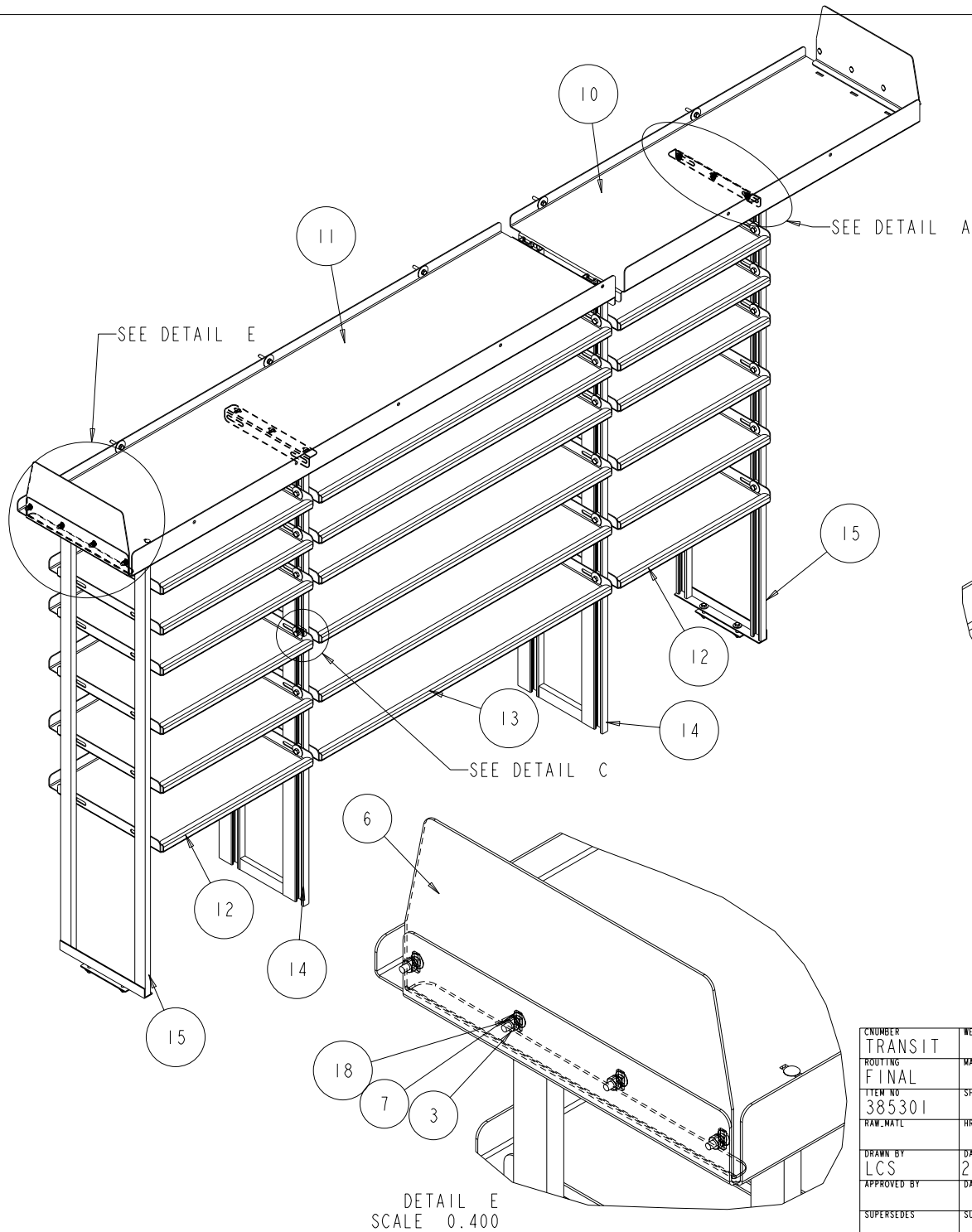
SECTION A-A



SECTION B-B



CNUMBER	WEIGHT	TOLERANCE UNLESS OTHERWISE SPECIFIED	 VT Hackney A company of VT Systems	
TRANSIT	197.181			
ROUTING	MATL CODE	.XX=+/- .060	252-946-6521 vtackney.com hackney.com kidron.com vtvisioncomms.com VisionComms	
FINAL	ZA	.XXX=+/- .030		
ITEM NO	SHAPE DESC		DESCRIPTION vtackney.com hackney.com kidron.com vtvisioncomms.com VisionComms SHELF ASM.- DRIVERSIDE FORD TRANSIT SHELF OPTION "TD1"	
385301				
RAW_MATL	HRS		DWG NAME P15C0422 Sheet 2 of 4	
	0.000			
DRAWN BY	DATE			
LCS	29-Nov-11			
APPROVED BY	DATE			
SUPERSEDES	SUPERSEDED BY	SCALE		
		0.200		



CNUMBER	WEIGHT	TOLERANCE UNLESS OTHERWISE SPECIFIED
TRANSIT	197.181	
ROUTING	MATL CODE	
FINAL	ZA	.XX=+/- .060 XXX=+/- .030
ITEM NO	SHAPE DESC	
385301		
RAW_MATL	HRS	
	0.000	
DRAWN BY	DATE	DESCRIPTION
LCS	29-Nov-11	vthackney.com hackney.com kidron.com vtvisioncomms.com
APPROVED BY	DATE	SHELF ASM.- DRIVERSIDE FORD TRANSIT OPTION "TD1"
SUPERSEDES	SUPERSEDED BY	SCALE
		0.125
		DWG NAME



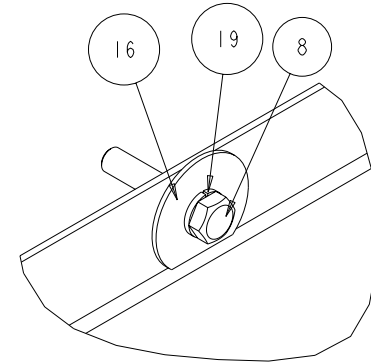
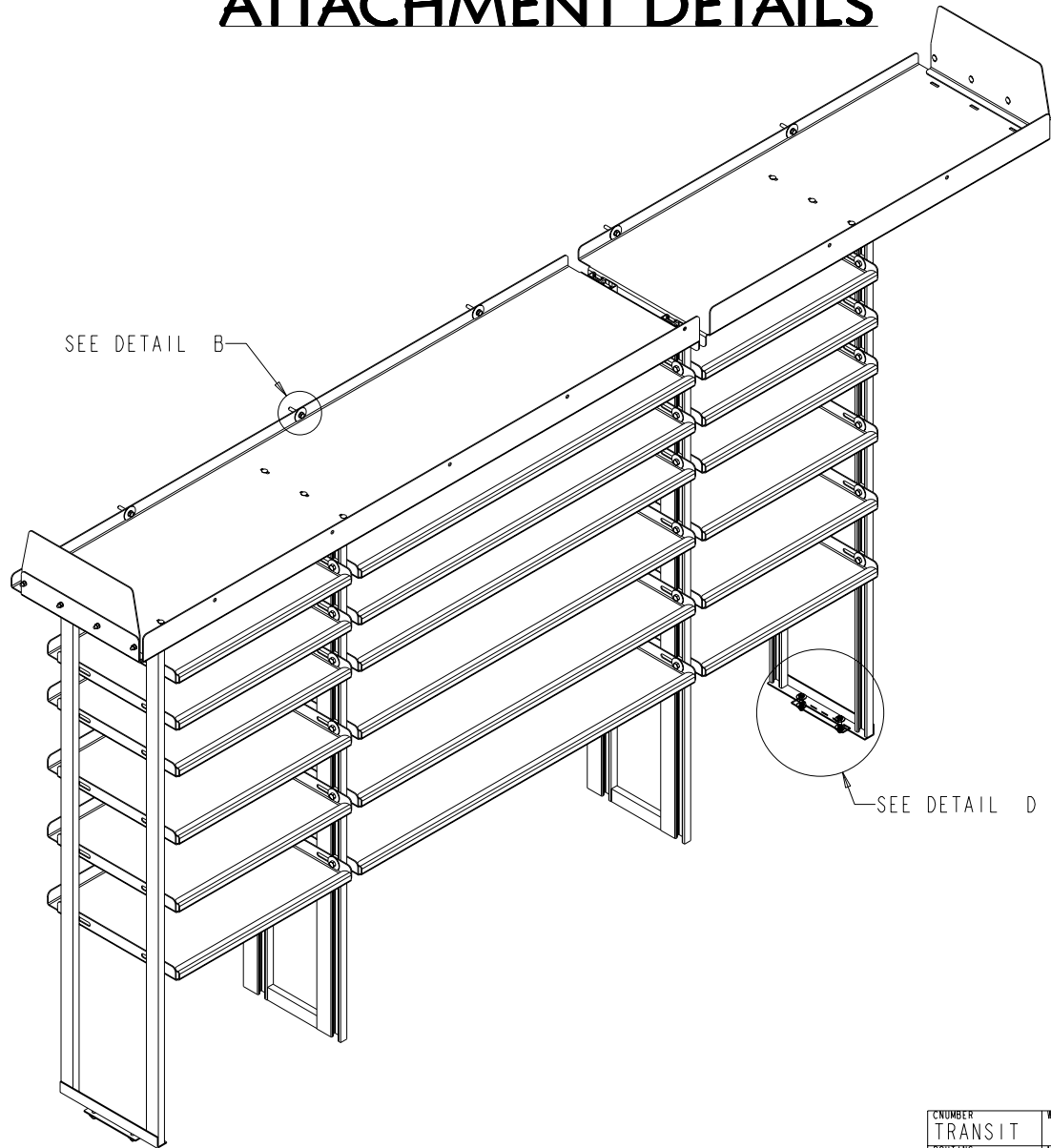
VT Hackney
A company of VT Systems

Hackney

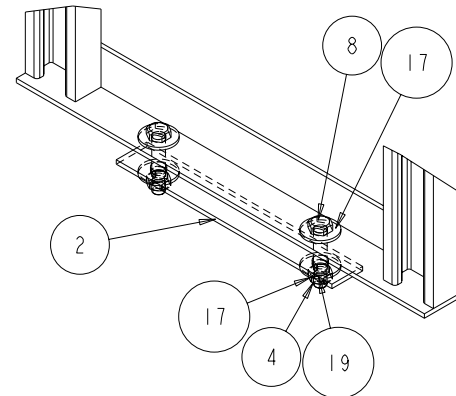


VisionComms




ATTACHMENT DETAILS



DETAIL B
SCALE 1.000



DETAIL D
SCALE 0.500
TYPICAL BOLT
THRU FLOOR

CNUMBER	WEIGHT	TOLERANCE UNLESS OTHERWISE SPECIFIED	 VT Hackney A company of VT Systems	
TRANSIT	197.181			
ROUTING	MATL CODE	.XX=+/- .060 XXX=+/- .030	252-946-6521 vtackney.com hackney.com kidron.com vtvisioncomms.com	
FINAL	ZA			
ITEM NO	SHAPE DESC		VISIONCOMMS	
385301			SHELF ASM.- DRIVERSIDE FORD TRANSIT SHELF OPTION "TD1"	
RAW_MATL	HRS		SCALE	DWG NAME
	0.000		0.125	
DRAWN BY	DATE			
LCS	29-Nov-11			
APPROVED BY	DATE			
SUPERSEDES	SUPERSEDED BY			